



US00D530946S

(12) **United States Design Patent**
Wakuda et al.

(10) **Patent No.:** **US D530,946 S**

(45) **Date of Patent:** **** Oct. 31, 2006**

(54) **COMBINED DISPLAY AND DISPENSER FOR BATTERIES**

D413,746 S * 9/1999 Ford D6/515
6,773,846 B1 * 8/2004 Chen et al. 206/703
6,902,062 B1 * 6/2005 Kumakura et al. 206/703

(75) Inventors: **Nobuyuki Wakuda**, Shizuoka-ken (JP);
Hiroshi Shibata, Shizuoka-ken (JP)

* cited by examiner

(73) Assignees: **FDK Energy Co., Ltd.**, Shizuoka-ken (JP);
Umeda Vacuum Package Co., Ltd., Osaka (JP)

Primary Examiner—Brian N Vinson
(74) *Attorney, Agent, or Firm*—Harness, Dickey & Pierce, P.L.C.

(**) Term: **14 Years**

(57) **CLAIM**

The ornamental design for a combined display and dispenser for batteries, as shown and described.

(21) Appl. No.: **29/200,975**

(22) Filed: **Mar. 8, 2004**

DESCRIPTION

(30) **Foreign Application Priority Data**

Sep. 18, 2003 (JP) 2003-027350

(51) **LOC (8) Cl.** **20-02**

(52) **U.S. Cl.** **D6/515**

(58) **Field of Classification Search** D6/515,
D6/517; 206/730, 734, 327, 703; 221/282–283;
222/173, 628

See application file for complete search history.

FIG. 1 is a front view of the combined display and dispenser for batteries showing our new design;
FIG. 2 is a top view thereof;
FIG. 3 is a bottom view thereof;
FIG. 4 is a rear view thereof;
FIG. 5 is a right side view, the left side view being a mirror image thereof;
FIG. 6 is a perspective view of FIG. 1; and,
FIG. 7 is a perspective view, wherein the combined display and dispenser for batteries is disassembled.
The batteries are shown in broken lines in FIG. 6 for illustrative purpose only and form no part of the claimed design.

(56) **References Cited**

U.S. PATENT DOCUMENTS

D405,099 S * 2/1999 Wood D6/515

1 Claim, 3 Drawing Sheets

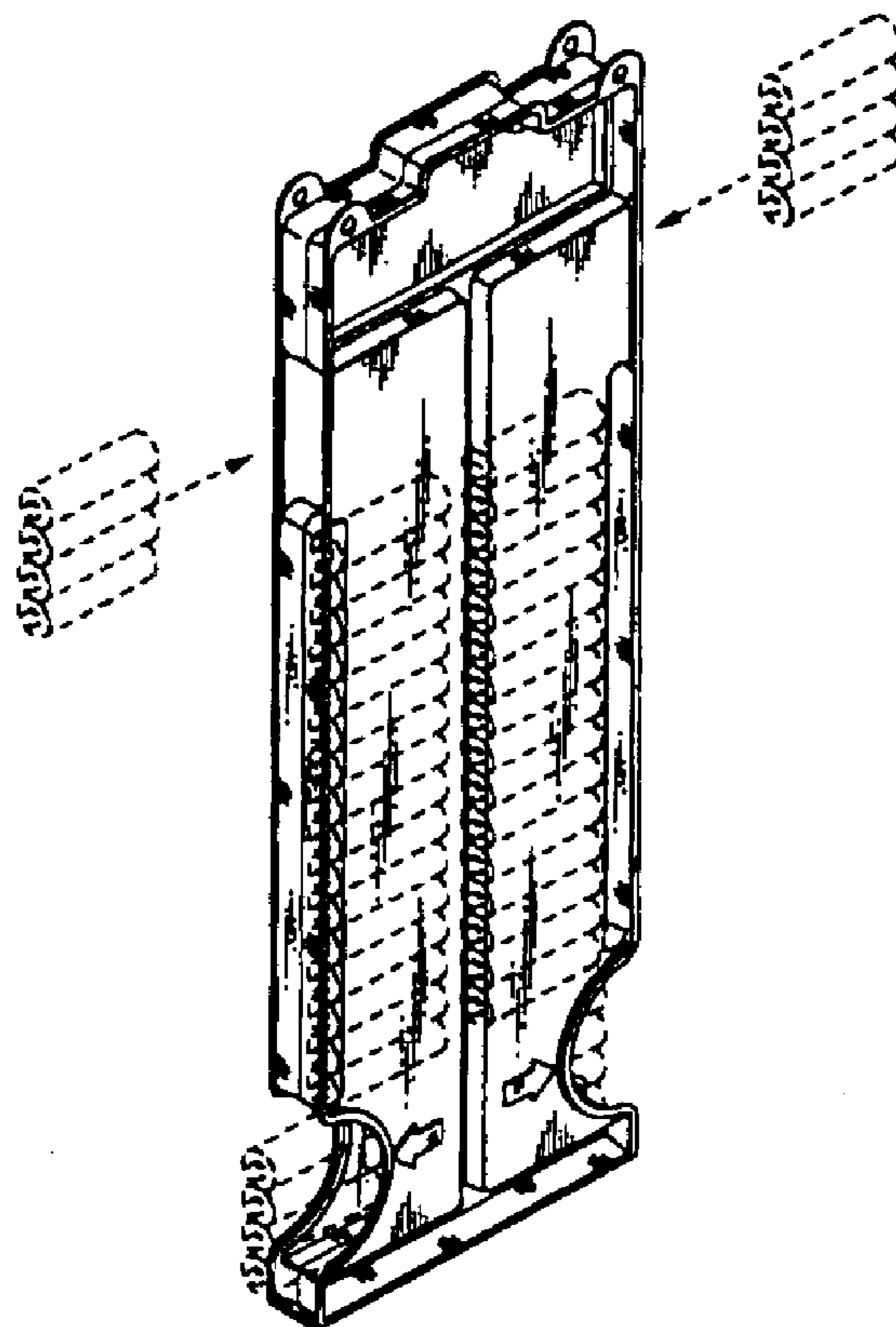


FIG. 1

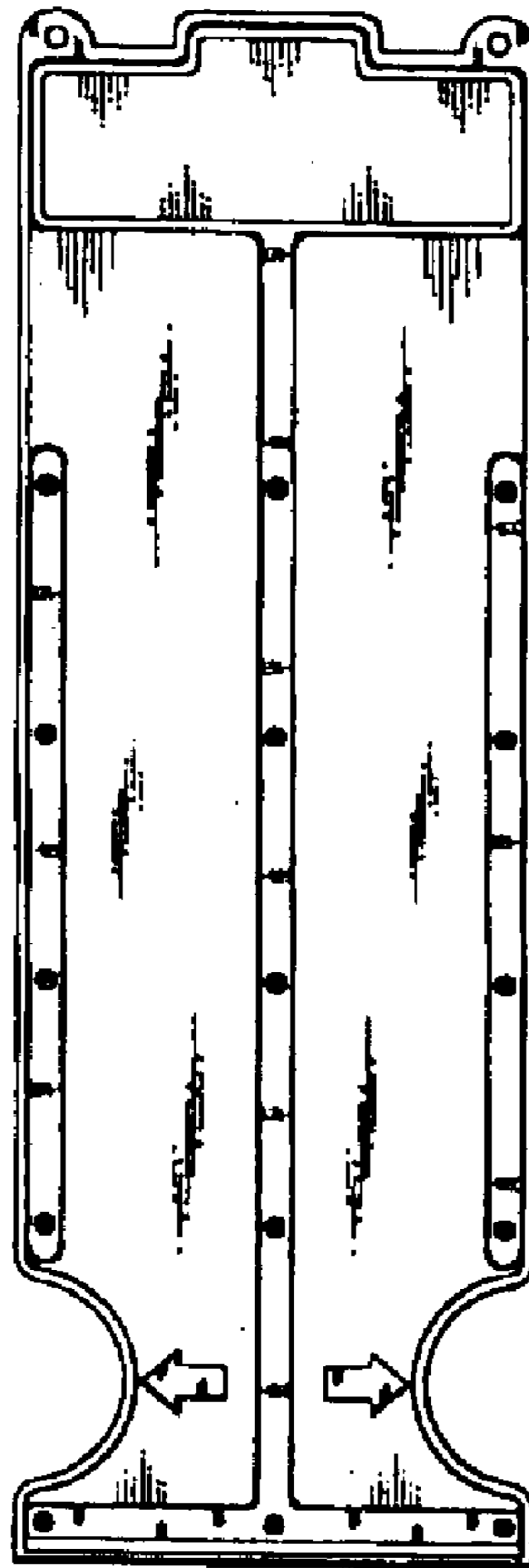


FIG. 2

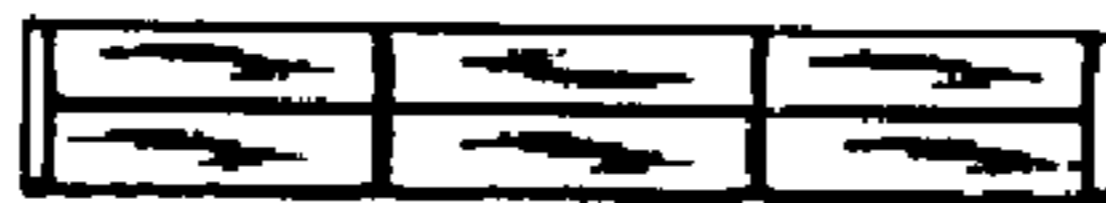


FIG. 3

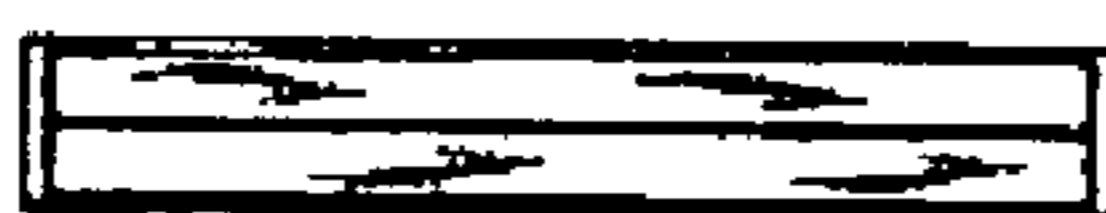


FIG.4

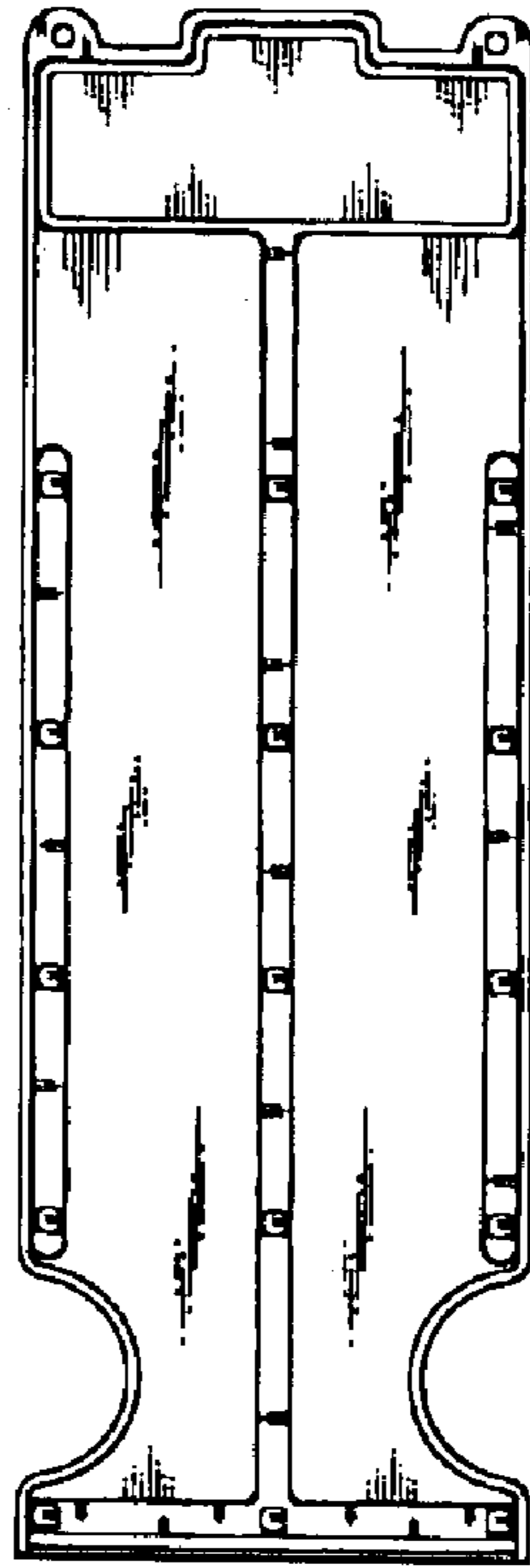


FIG.5



FIG.6

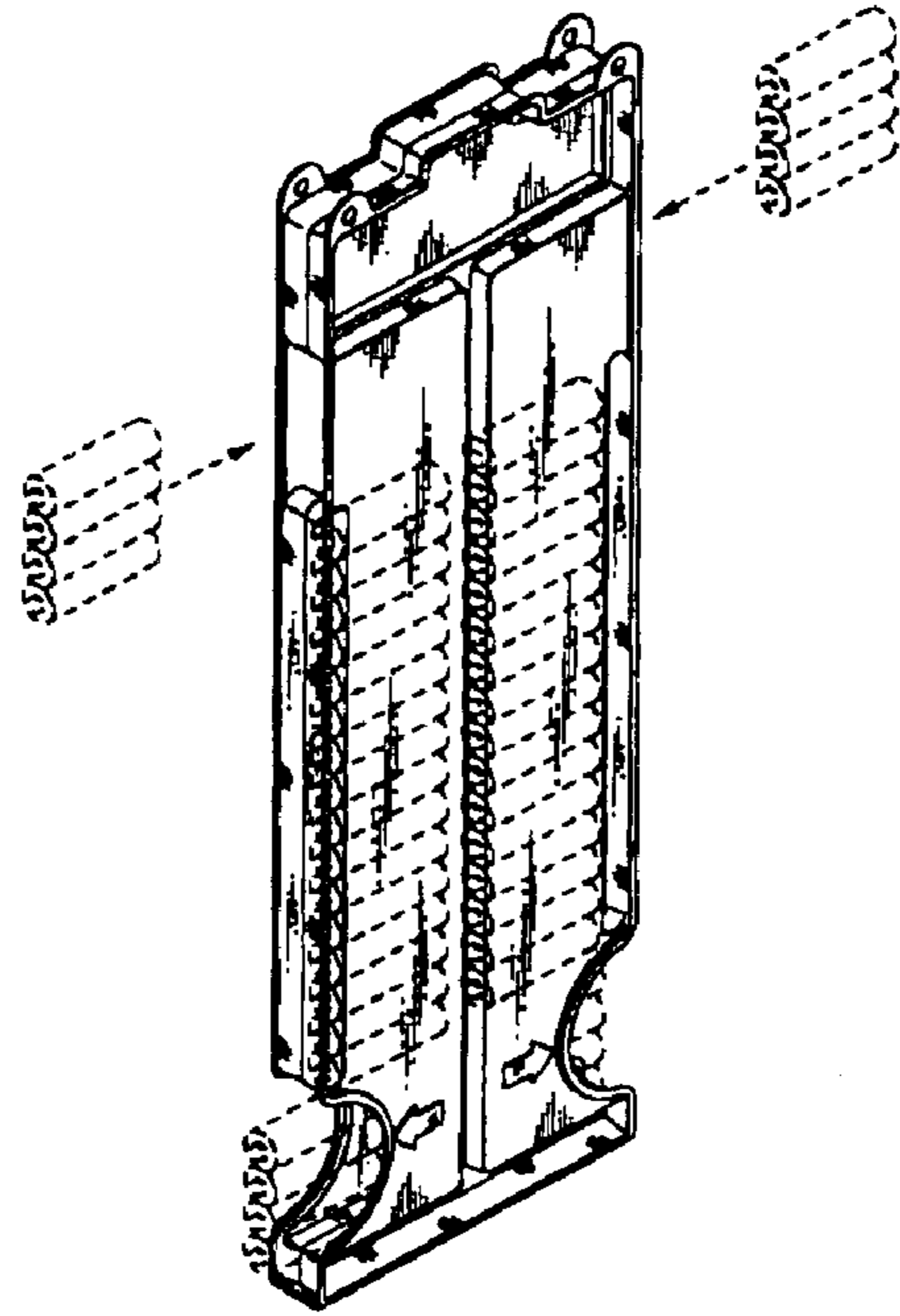
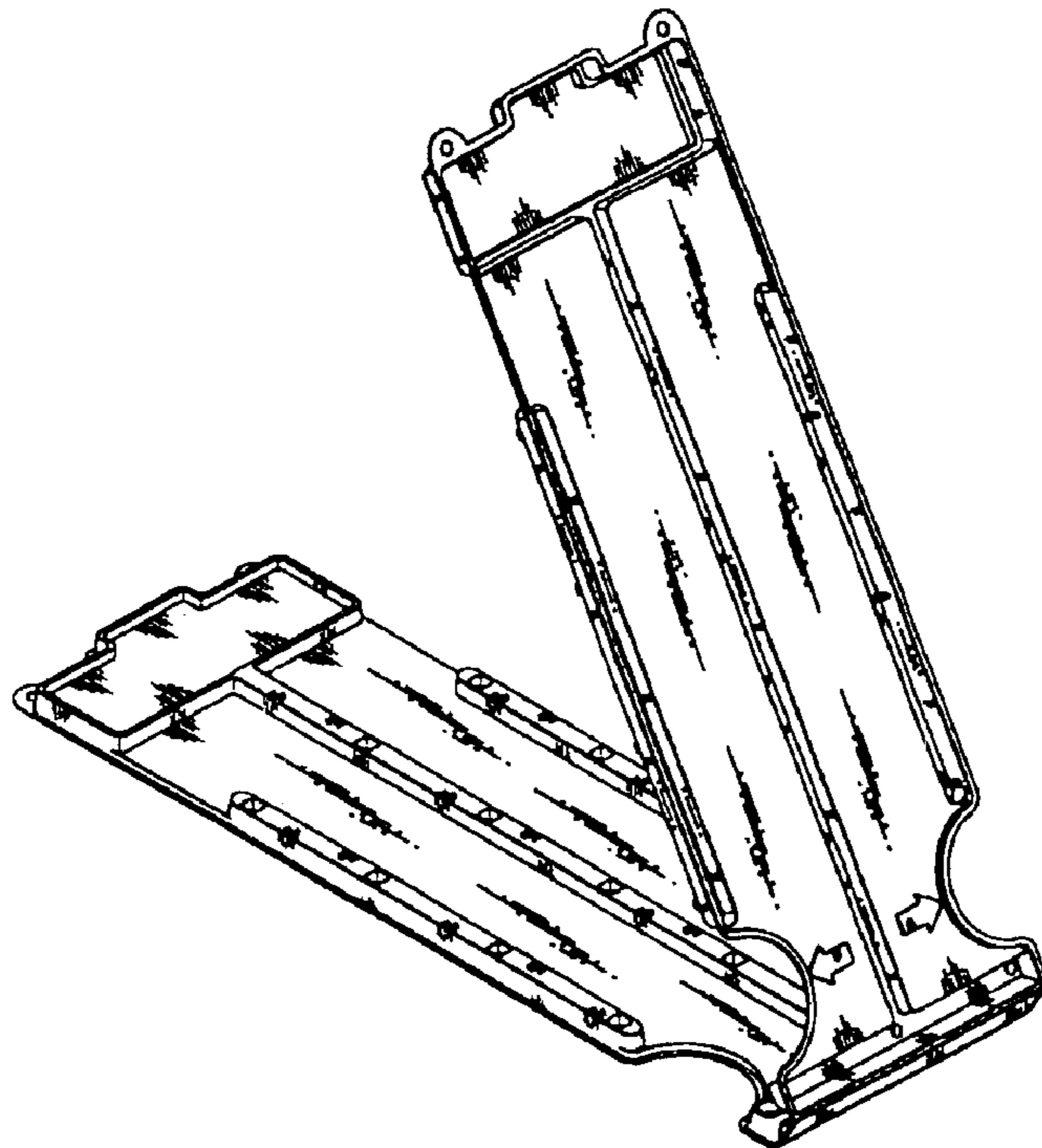


FIG.7



UNITED STATES PATENT AND TRADEMARK OFFICE
CERTIFICATE OF CORRECTION

PATENT NO. : Des. 530,946 S
APPLICATION NO. : 29/200975
DATED : October 31, 2006
INVENTOR(S) : Nobuyuki Wakuda et al.

Page 1 of 1

It is certified that error appears in the above-identified patent and that said Letters Patent is hereby corrected as shown below:

On Title page item 73 please delete "vacum" should be -- Vacuum --

Signed and Sealed this

Sixth Day of March, 2007

A handwritten signature in black ink on a light gray dotted background. The signature reads "Jon W. Dudas" in a cursive style.

JON W. DUDAS

Director of the United States Patent and Trademark Office