

US00D530945S

(12) **United States Design Patent**
Darafeev

(10) **Patent No.:** **US D530,945 S**
(45) **Date of Patent:** **** Oct. 31, 2006**

(54) **LEGS AND BACKREST PORTION FOR CHAIRS**

(75) Inventor: **George Darafeev**, Alta Loma, CA (US)

(73) Assignee: **Mikail Darafeev, Inc.**, Chino, CA (US)

(**) Term: **14 Years**

(21) Appl. No.: **29/215,303**

(22) Filed: **Oct. 15, 2004**

(51) **LOC (8) Cl.** **06-06**

(52) **U.S. Cl.** **D6/500; D6/380**

(58) **Field of Classification Search** D6/334-336,
D6/360, 364, 370, 374, 375, 379, 380, 500-502;
297/440.15, 441.42, 445.1, 446.1, 446.2
See application file for complete search history.

(56) **References Cited**

U.S. PATENT DOCUMENTS

54,314 A	*	5/1866	Farmer	297/446.2
D286,473 S		11/1986	Zakharov		
D287,197 S		12/1986	Zakharov		
D287,794 S		1/1987	Zakharov		
D294,434 S		3/1988	Zakharov		
D313,514 S		1/1991	Zakharov		
D357,592 S	*	4/1995	Kellen	D6/360
D364,743 S	*	12/1995	Lewis	D6/334
D371,913 S	*	7/1996	Arcese et al.	D6/370
D376,703 S	*	12/1996	Lee	D6/380
6,017,092 A	*	1/2000	Lee	297/440.15
D431,380 S	*	10/2000	Hutton	D6/360
D465,666 S	*	11/2002	Hokanson	D6/374

D468,919 S	*	1/2003	Juneau	D6/360
D481,874 S		11/2003	Darafeev		
D481,875 S		11/2003	Darafeev		
D481,876 S		11/2003	Darafeev		
D481,877 S		11/2003	Darafeev		
D482,539 S		11/2003	Darafeev		
D498,093 S		11/2004	Darafeev		
D498,094 S		11/2004	Darafeev		
D498,374 S		11/2004	Darafeev		
D498,954 S		11/2004	Darafeev		
D502,343 S		3/2005	Darafeev		
D503,288 S	*	3/2005	Domack	D6/334
D518,970 S	*	4/2006	Domack et al.	D6/380
D520,255 S	*	5/2006	King	D6/370
D520,256 S	*	5/2006	King	D6/374

* cited by examiner

Primary Examiner—Mimosa De
(74) *Attorney, Agent, or Firm*—Jones Day

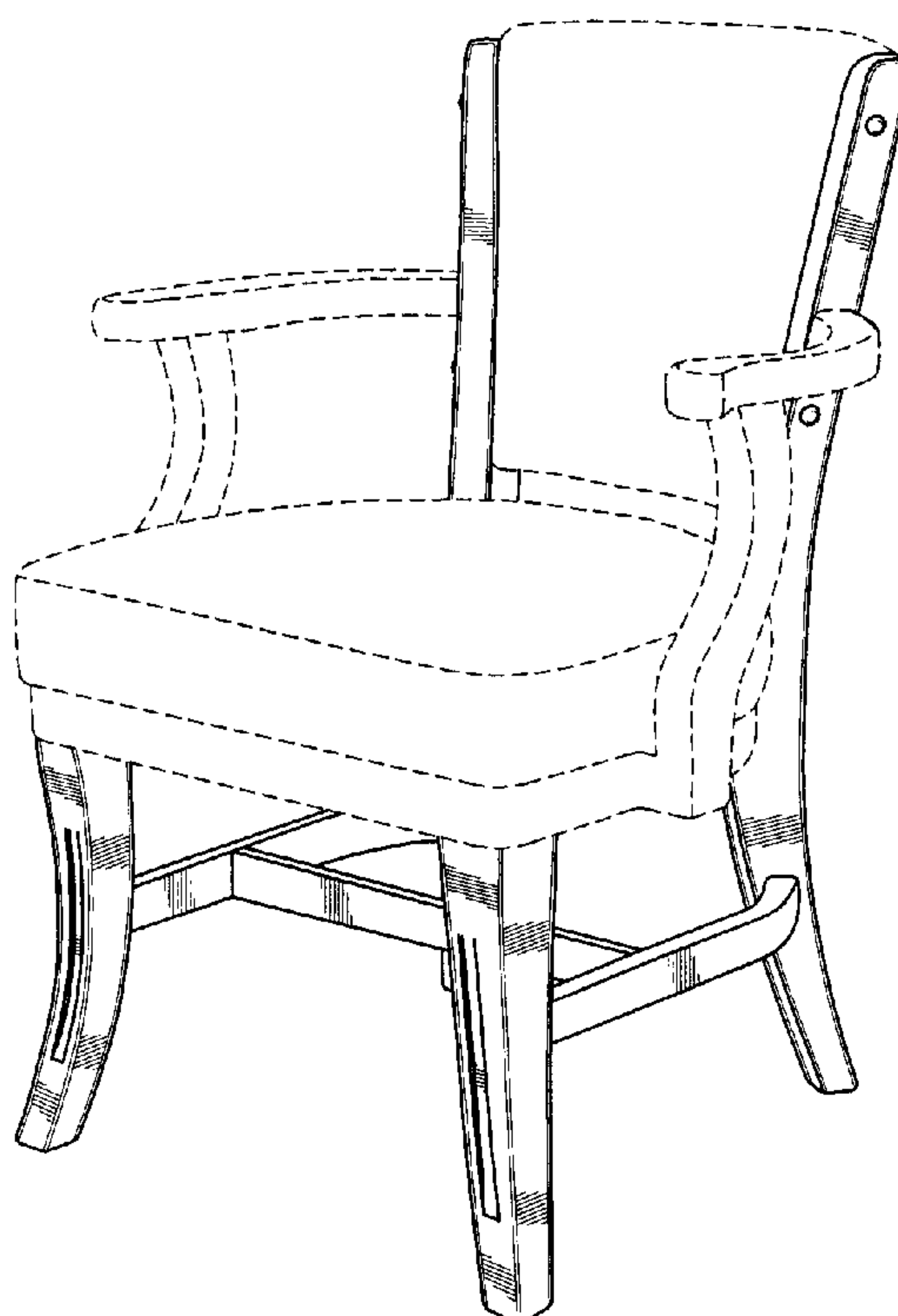
(57) **CLAIM**

The ornamental design for legs and backrest portion for chairs, as shown and described.

DESCRIPTION

FIG. 1 is a perspective view of the chair.
FIG. 2 is a front view of a chair.
FIG. 3 is a side view of the chair, the opposite side being a mirror image.
FIG. 4 is a rear view of the chair; and,
FIG. 5 is a top view of the chair.
The broken lines showing of environment is for illustrative purposes only and forms no part of the claimed design.

1 Claim, 5 Drawing Sheets



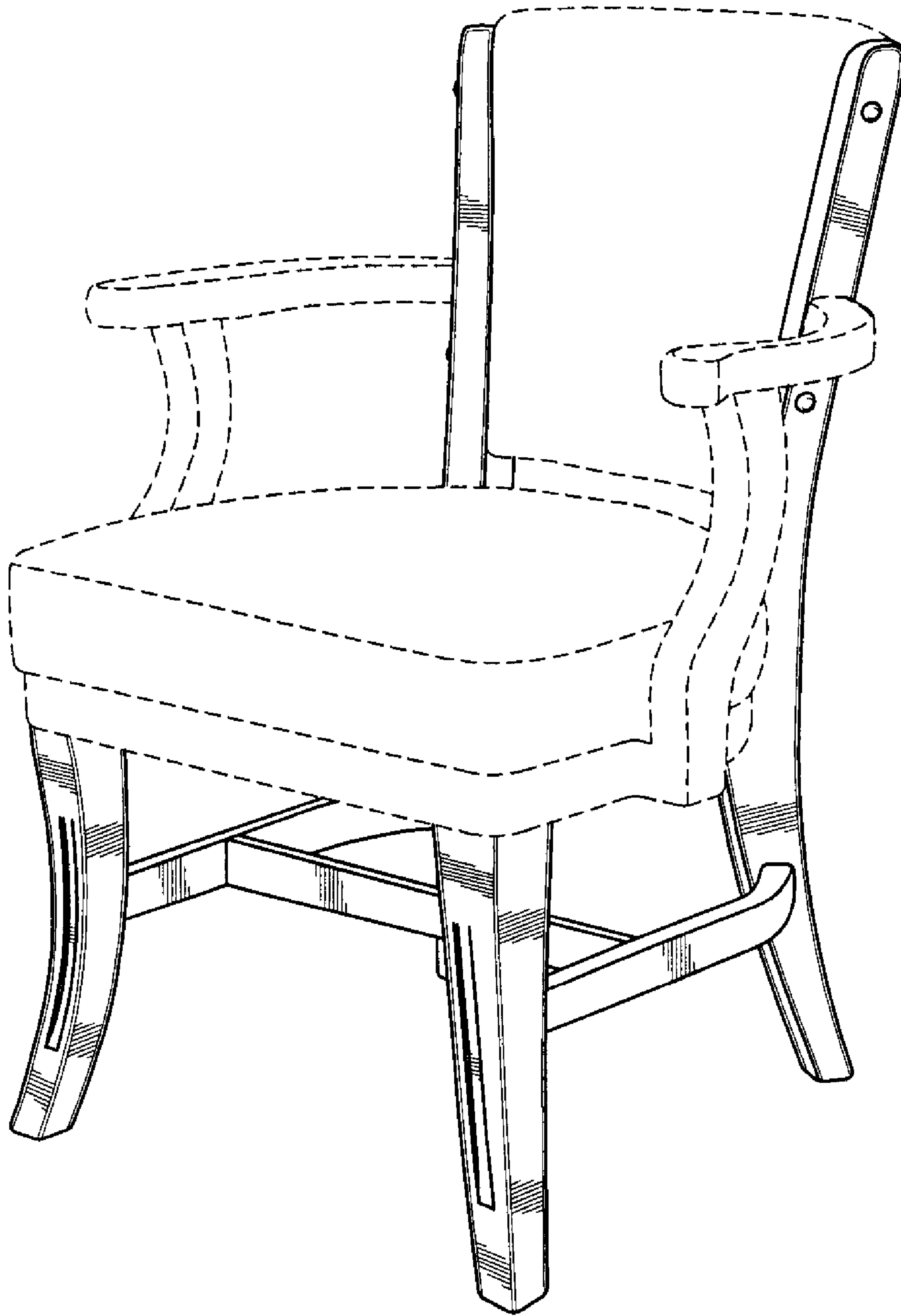


FIG. 1

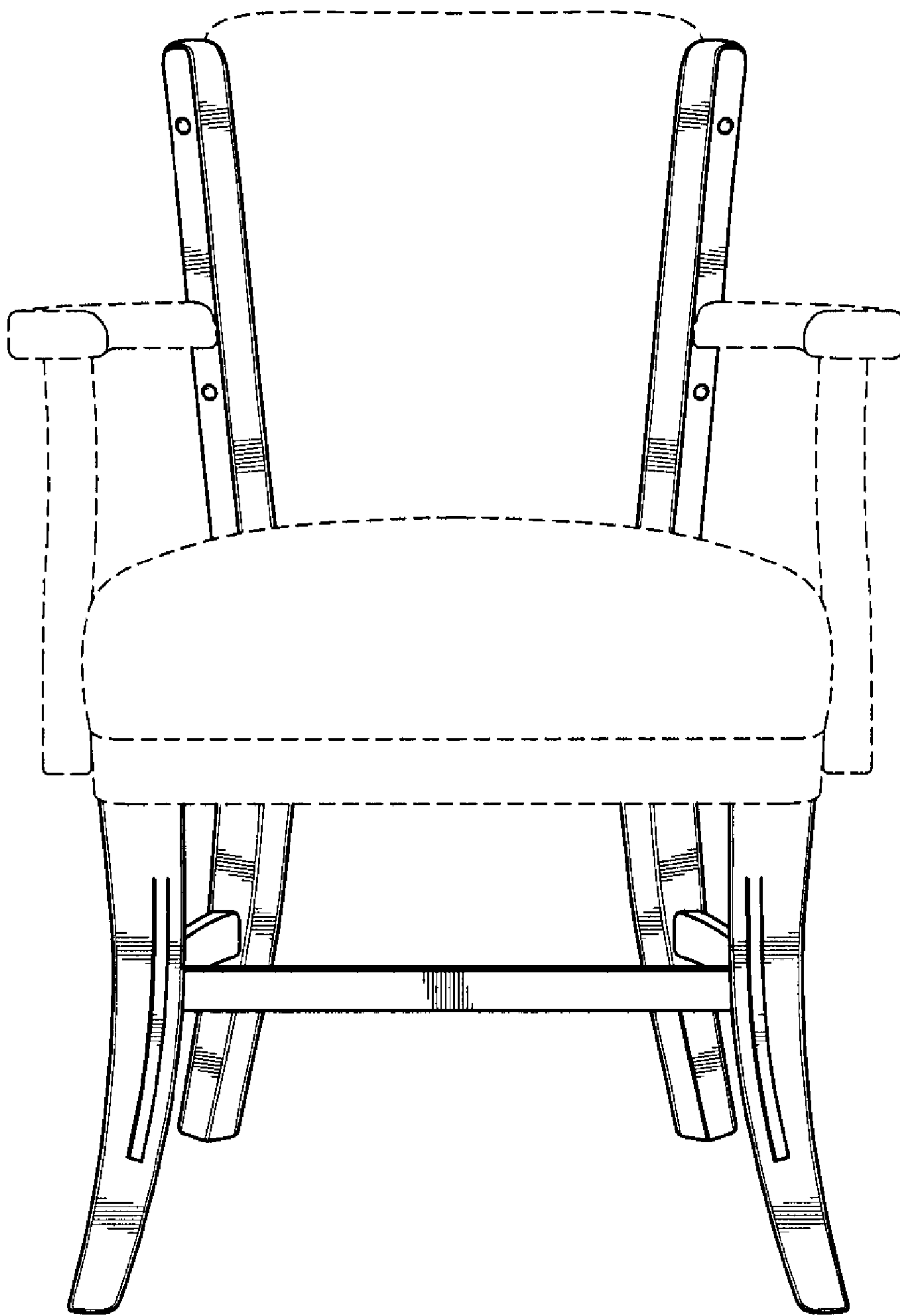


FIG. 2

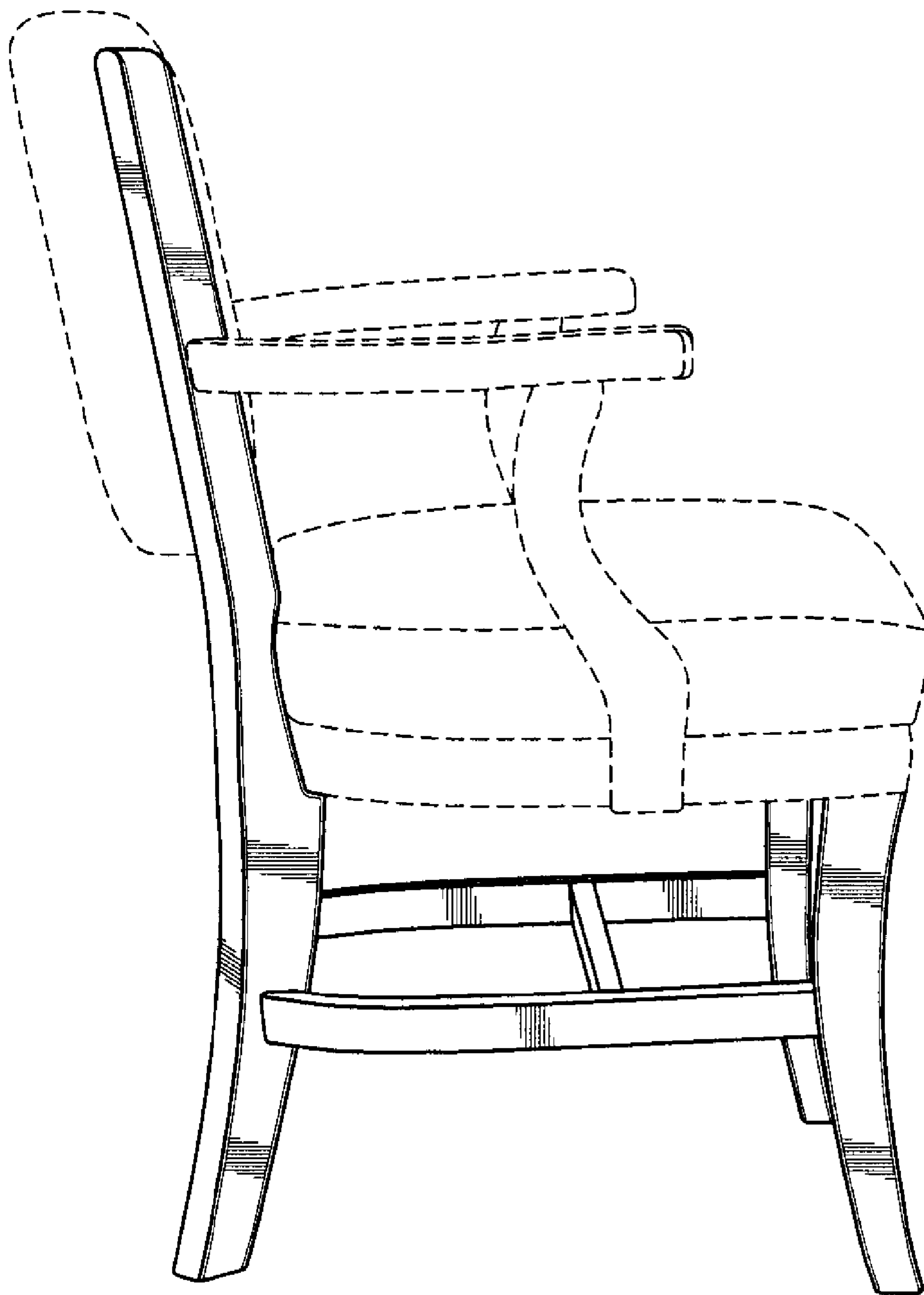


FIG. 3

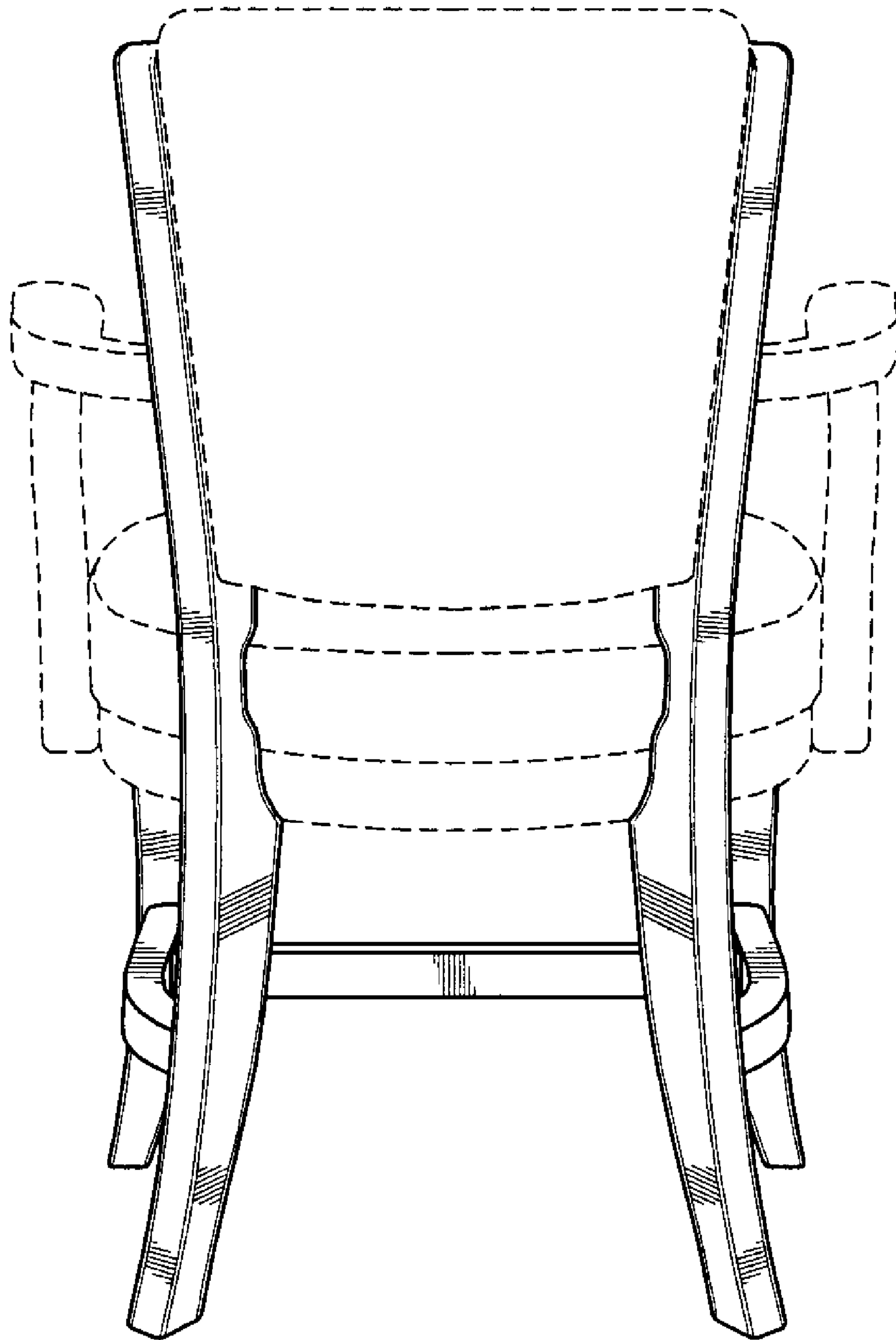


FIG. 4

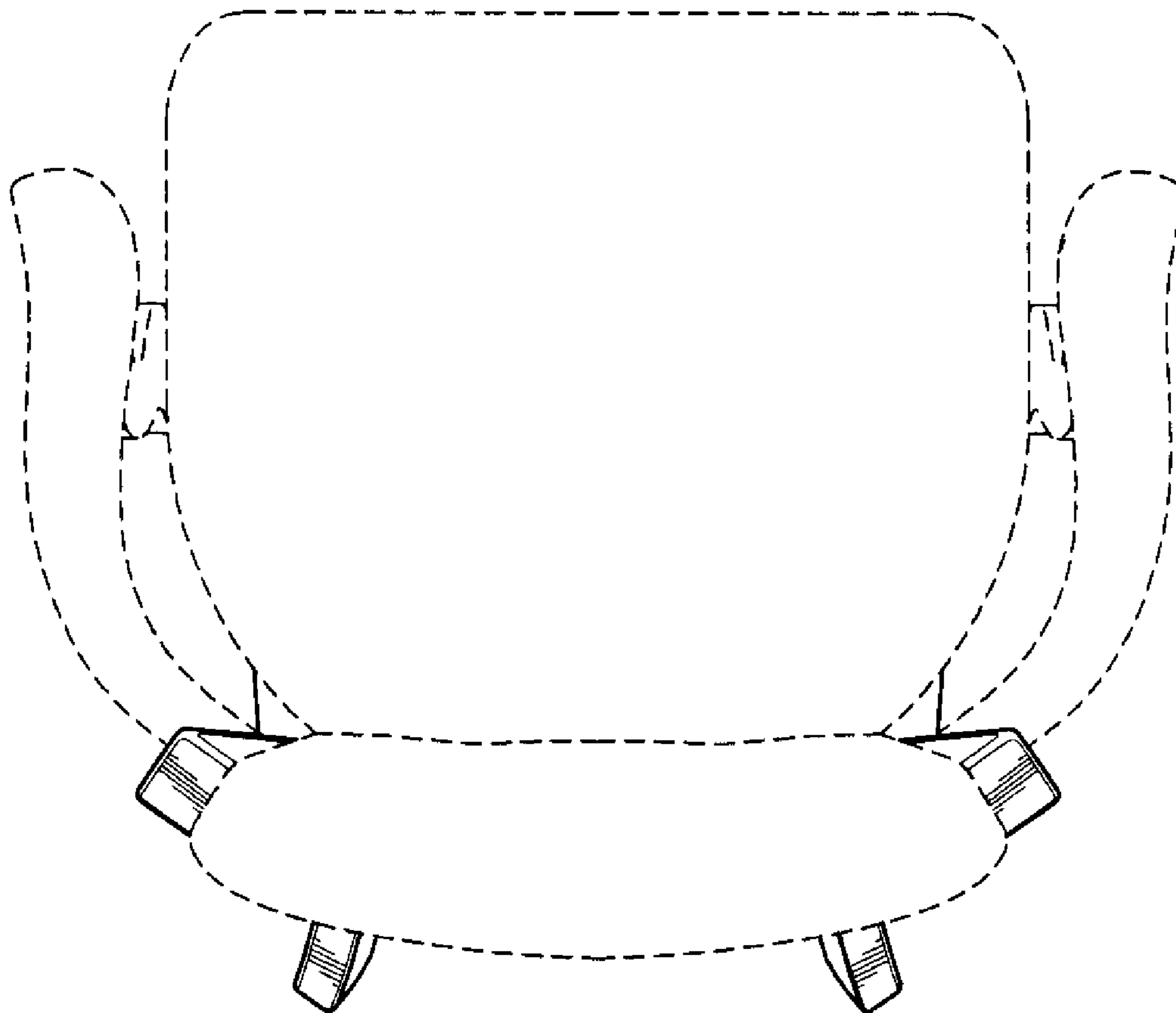


FIG. 5