



US00D530942S

(12) **United States Design Patent**  
**Relling**

(10) **Patent No.:** **US D530,942 S**

(45) **Date of Patent:** **\*\* Oct. 31, 2006**

(54) **TABLE**

(75) Inventor: **Harald Relling**, Langevag (NO)

(73) Assignee: **Ekornes ASA**, Ikornnes (NO)

(\*\*) Term: **14 Years**

(21) Appl. No.: **29/228,013**

(22) Filed: **Apr. 19, 2005**

(30) **Foreign Application Priority Data**

Oct. 22, 2004 (NO) ..... 20040606

(51) **LOC (8) Cl.** ..... **06-03**

(52) **U.S. Cl.** ..... **D6/484; D6/480**

(58) **Field of Classification Search** ..... D6/480-489,  
D6/495, 511, 429-431; 108/150, 153.1, 155,  
108/156, 161, 36, 127; 248/188, 188.1, 188.8  
See application file for complete search history.

(56) **References Cited**

**U.S. PATENT DOCUMENTS**

D262,249 S \* 12/1981 Smith, III ..... D6/480

D273,829 S \* 5/1984 Desnoyers ..... D6/484  
D315,650 S \* 3/1991 Fisher ..... D6/484  
D510,823 S \* 10/2005 Ng et al. .... D6/480  
D514,356 S \* 2/2006 Ng et al. .... D6/480

\* cited by examiner

*Primary Examiner*—Janice E. Seeger

(74) *Attorney, Agent, or Firm*—Schneck & Schneck;  
Thomas Schneck

(57) **CLAIM**

I claim the ornamental design for a table, as shown and described.

**DESCRIPTION**

FIG. 1 is a left front perspective view of a table of my design.

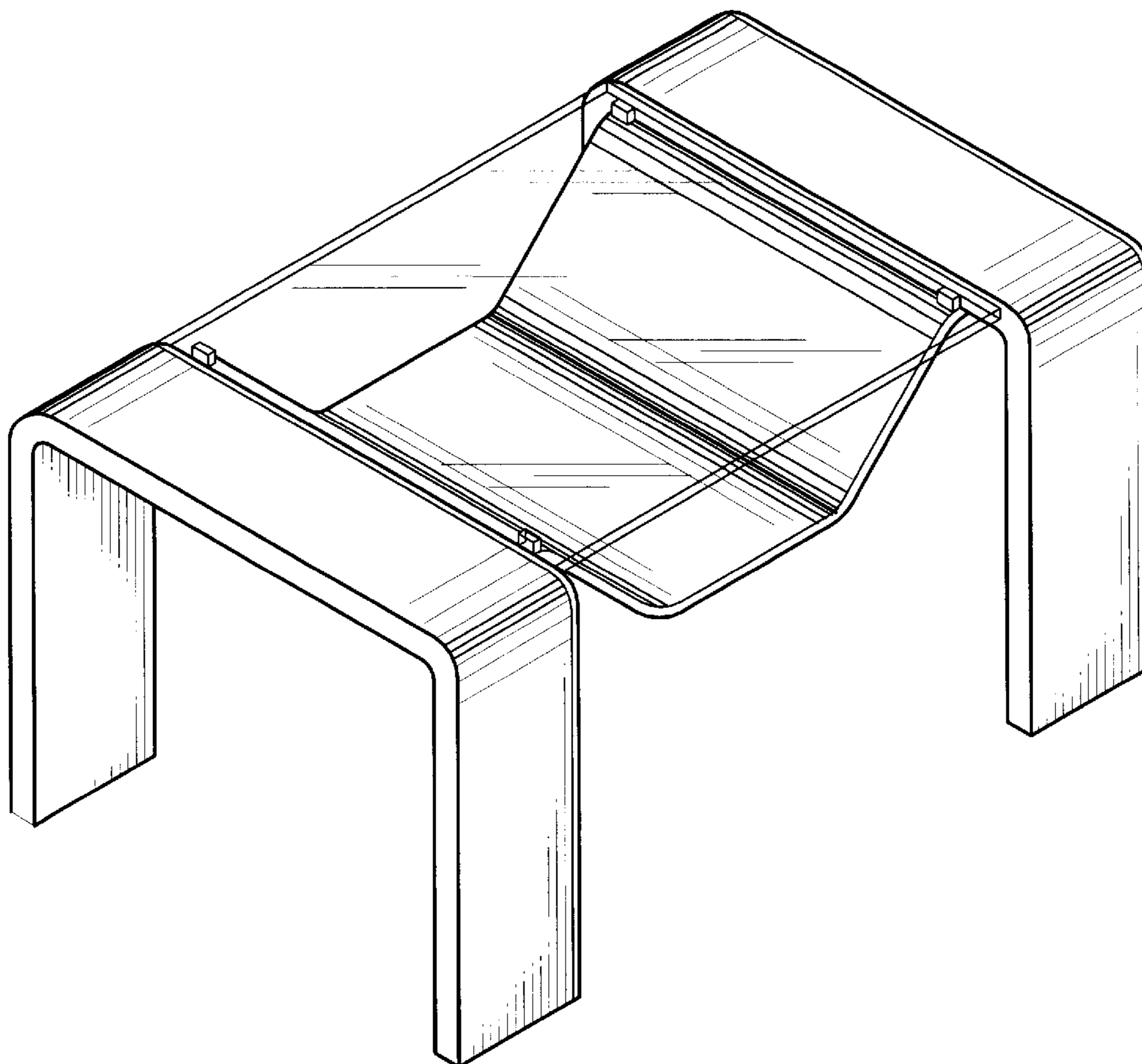
FIG. 2 is a left side elevational view of the table shown in FIG. 1, the right side elevational view being identical.

FIG. 3 is a front elevational view of the table shown in FIG. 1, the rear elevational view being identical.

FIG. 4 is a top view of the table shown in FIG. 1; and,

FIG. 5 is a bottom view of the table shown in FIG. 1.

**1 Claim, 3 Drawing Sheets**



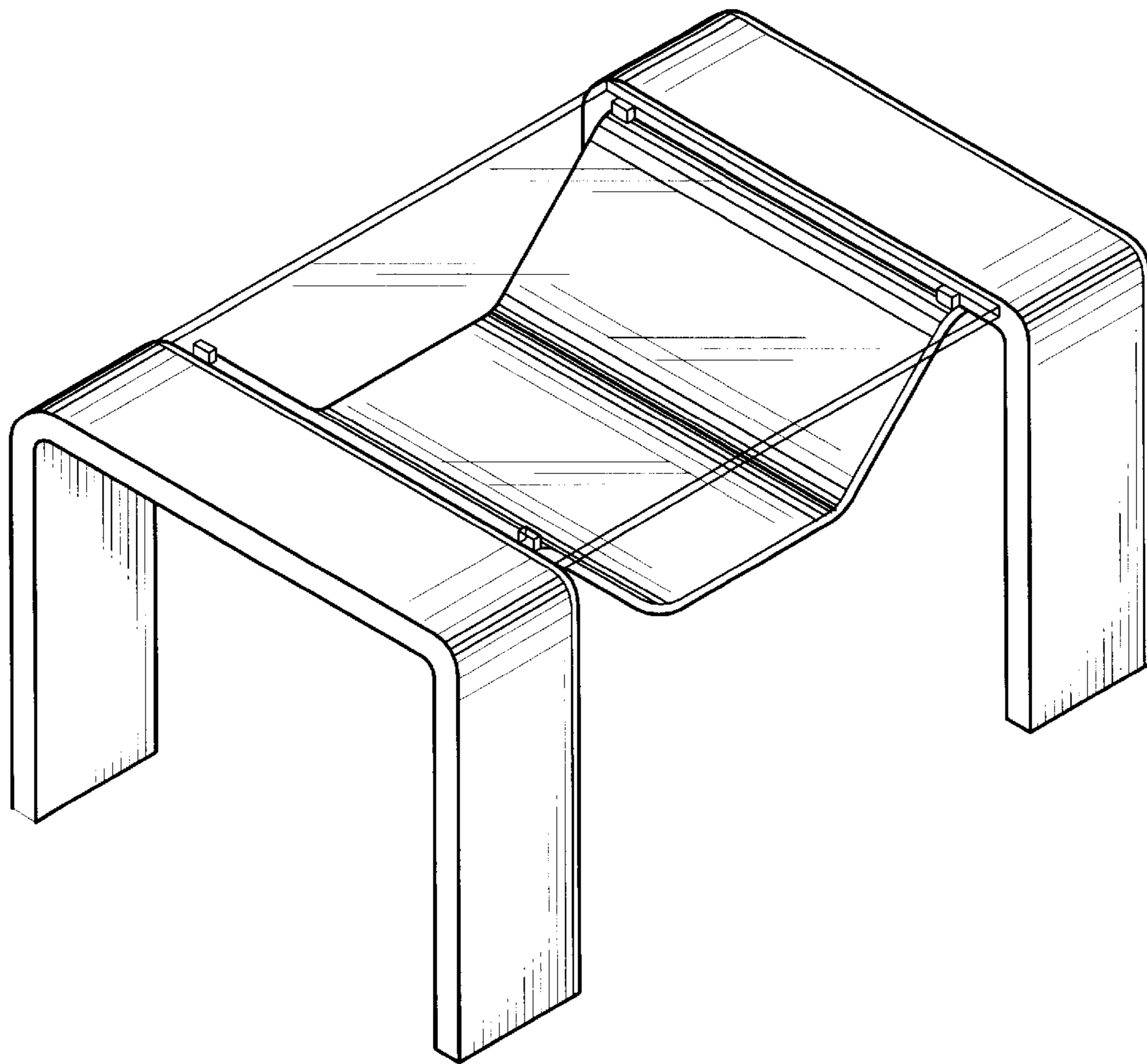


Fig. 1

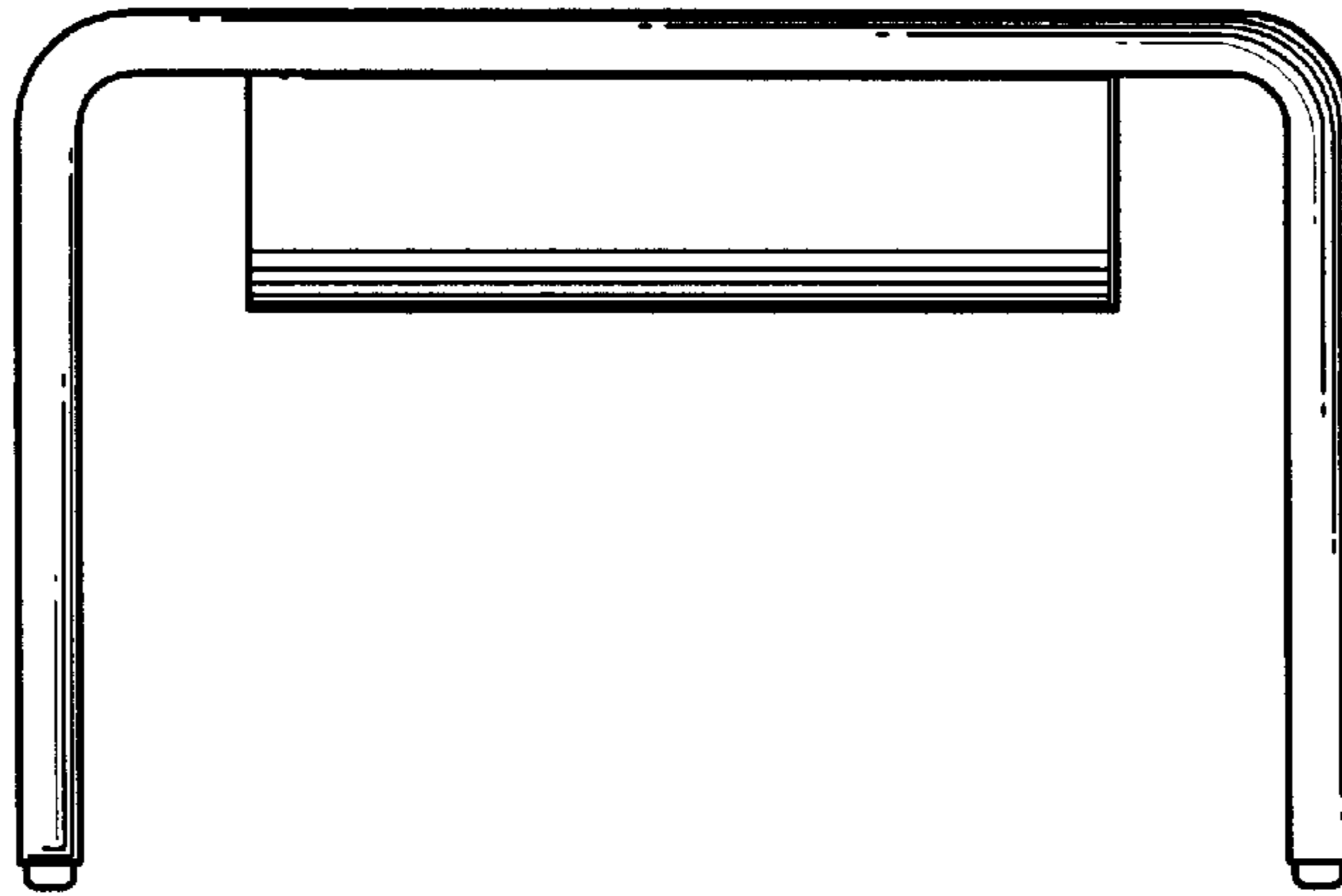


Fig. 2

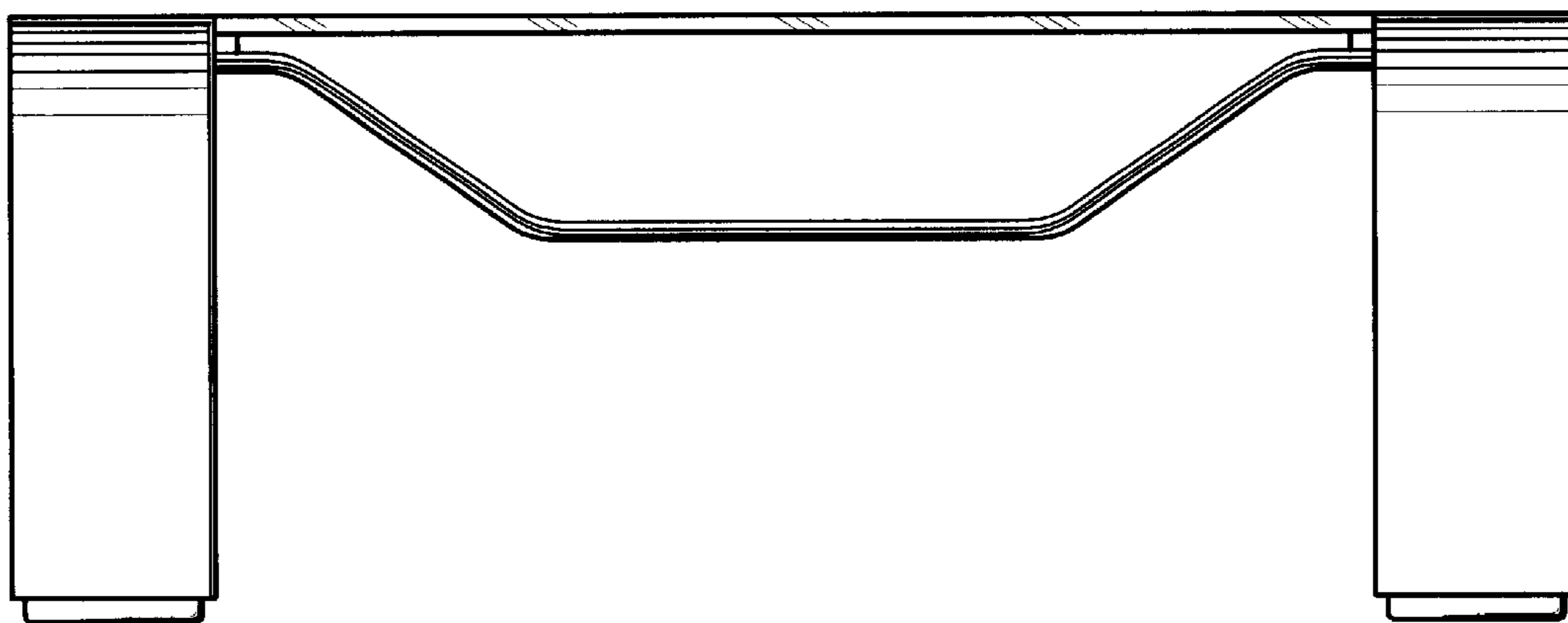


Fig. 3

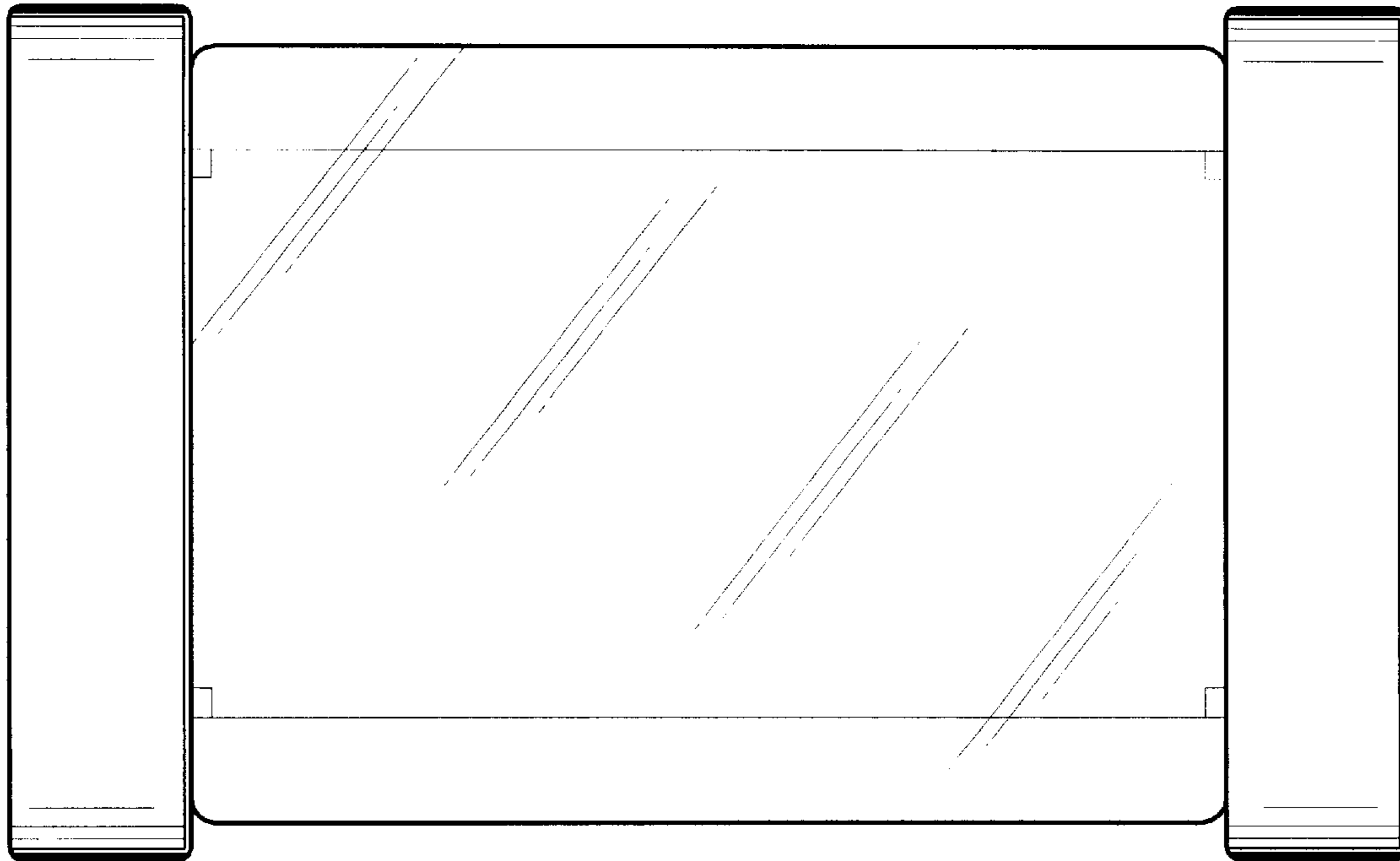


Fig. 4

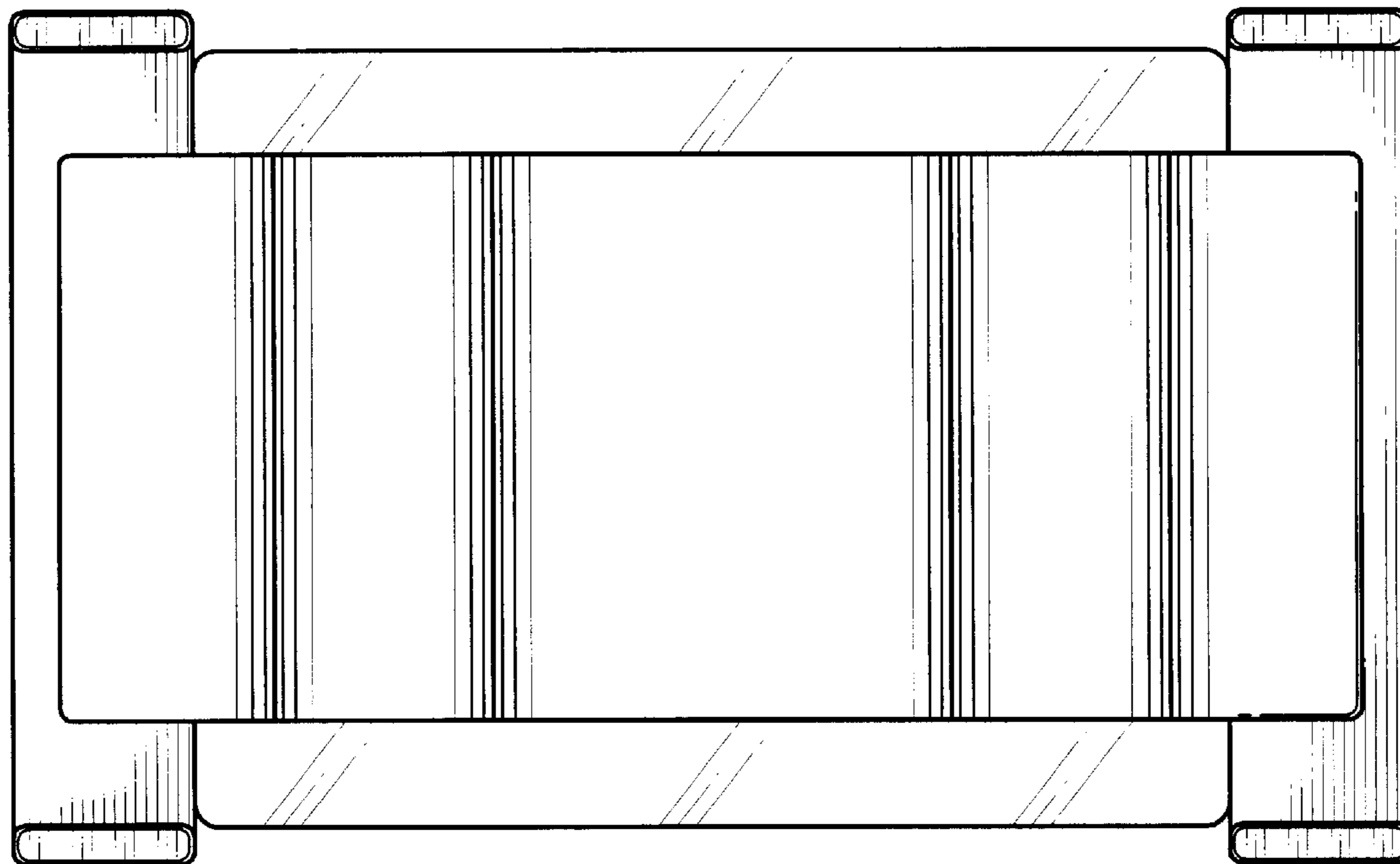


Fig. 5