



US00D530939S

(12) **United States Design Patent**  
**Nakamura**

(10) **Patent No.:** **US D530,939 S**  
(45) **Date of Patent:** **\*\* Oct. 31, 2006**

(54) **DESK**  
(75) Inventor: **Kenji Nakamura**, Yokohama (JP)  
(73) Assignee: **Okamura Corporation** (JP)  
(\*\*) Term: **14 Years**

D395,969 S \* 7/1998 Barlow-Lawson ..... D6/511  
D424,827 S \* 5/2000 Ko ..... D6/480  
D424,828 S \* 5/2000 Ko ..... D6/429

\* cited by examiner

*Primary Examiner*—Janice E. Seeger

(21) Appl. No.: **29/227,393**  
(22) Filed: **Apr. 11, 2005**  
(30) **Foreign Application Priority Data**

Oct. 14, 2004 (JP) ..... 2004-031128

(51) **LOC (8) Cl.** ..... **06-03**  
(52) **U.S. Cl.** ..... **D6/425; D6/480; D6/426**  
(58) **Field of Classification Search** ..... D6/480–489,  
D6/495, 511, 429–431, 422–426; 108/150,  
108/153.1, 155, 156, 161, 1, 50.01, 50.02;  
248/188, 188.1, 188.8; 312/208.1, 223.3  
See application file for complete search history.

(57) **CLAIM**

I claim the ornamental design for a desk, as shown and described.

**DESCRIPTION**

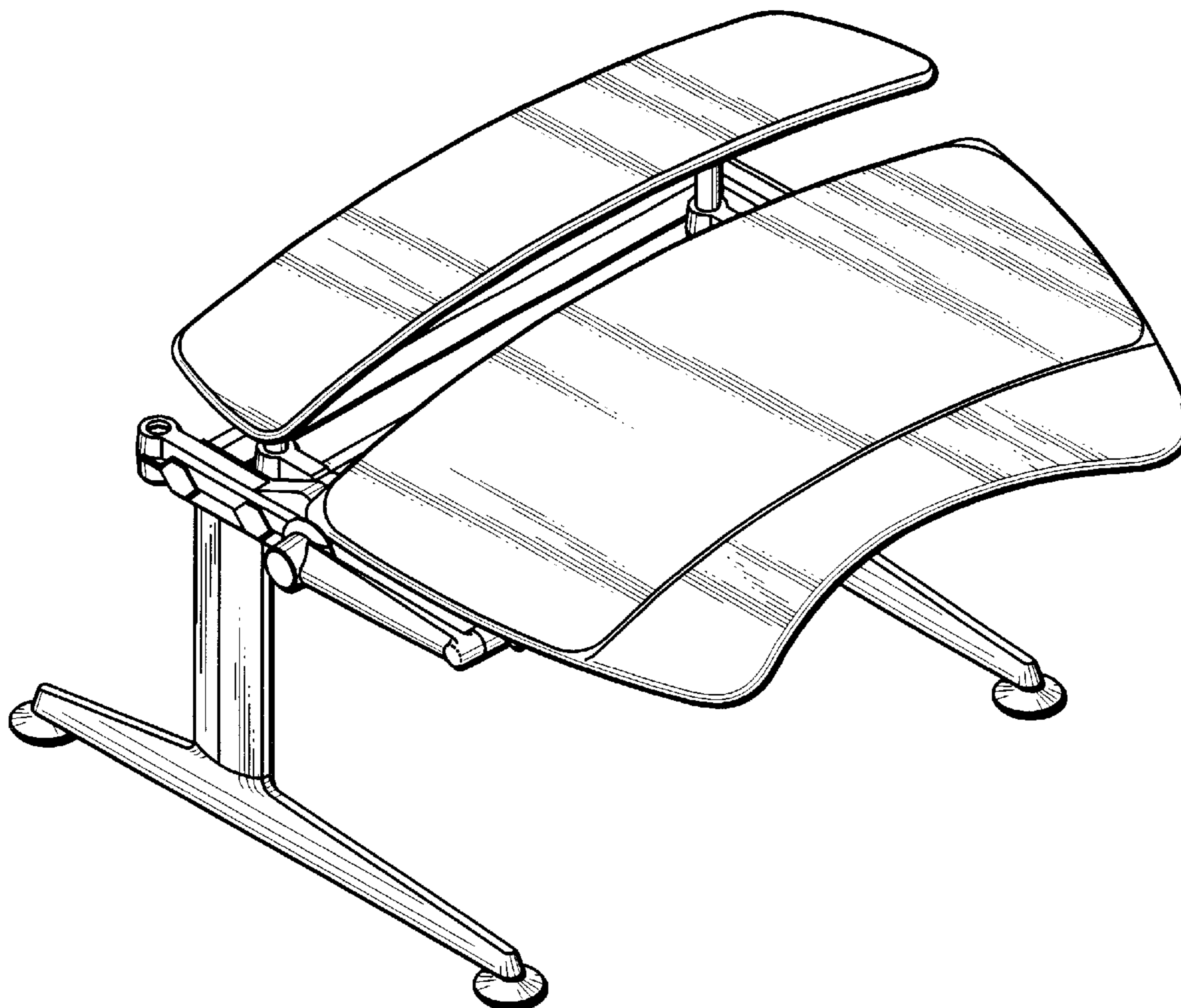
FIG. 1 is a front perspective view of a desk Showing my new design;  
FIG. 2 is a front elevational view thereof;  
FIG. 3 is a right side view thereof;  
FIG. 4 is a top plan view thereof;  
FIG. 5 is a rear elevational view thereof;  
FIG. 6 is a bottom plan view thereof; and,  
FIG. 7 is a vertical sectional view taken along the line VII—VII in FIG. 2.

(56) **References Cited**

**U.S. PATENT DOCUMENTS**

D392,132 S \* 3/1998 Barlow-Lawson ..... D6/511

**1 Claim, 4 Drawing Sheets**



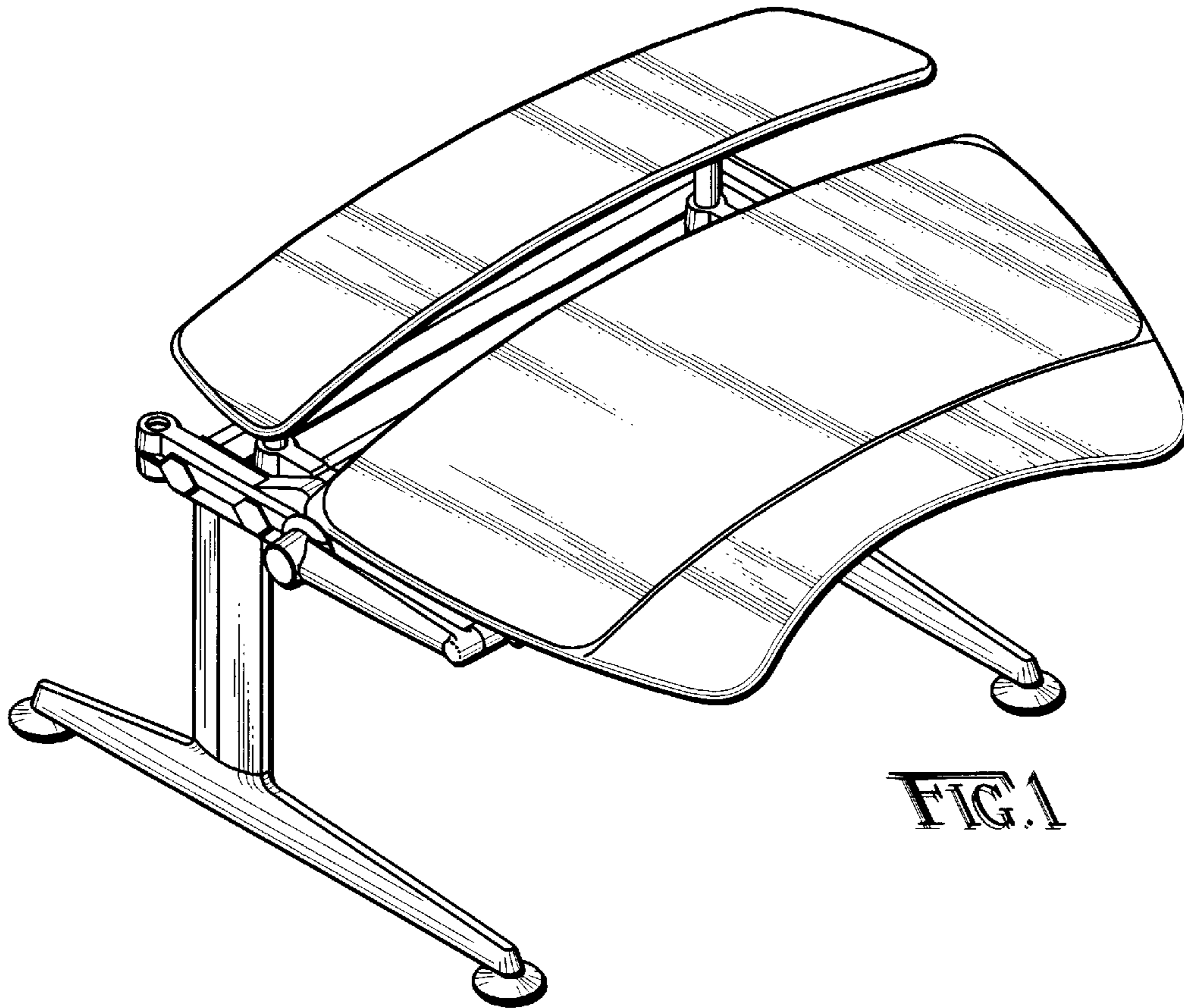


FIG. 1

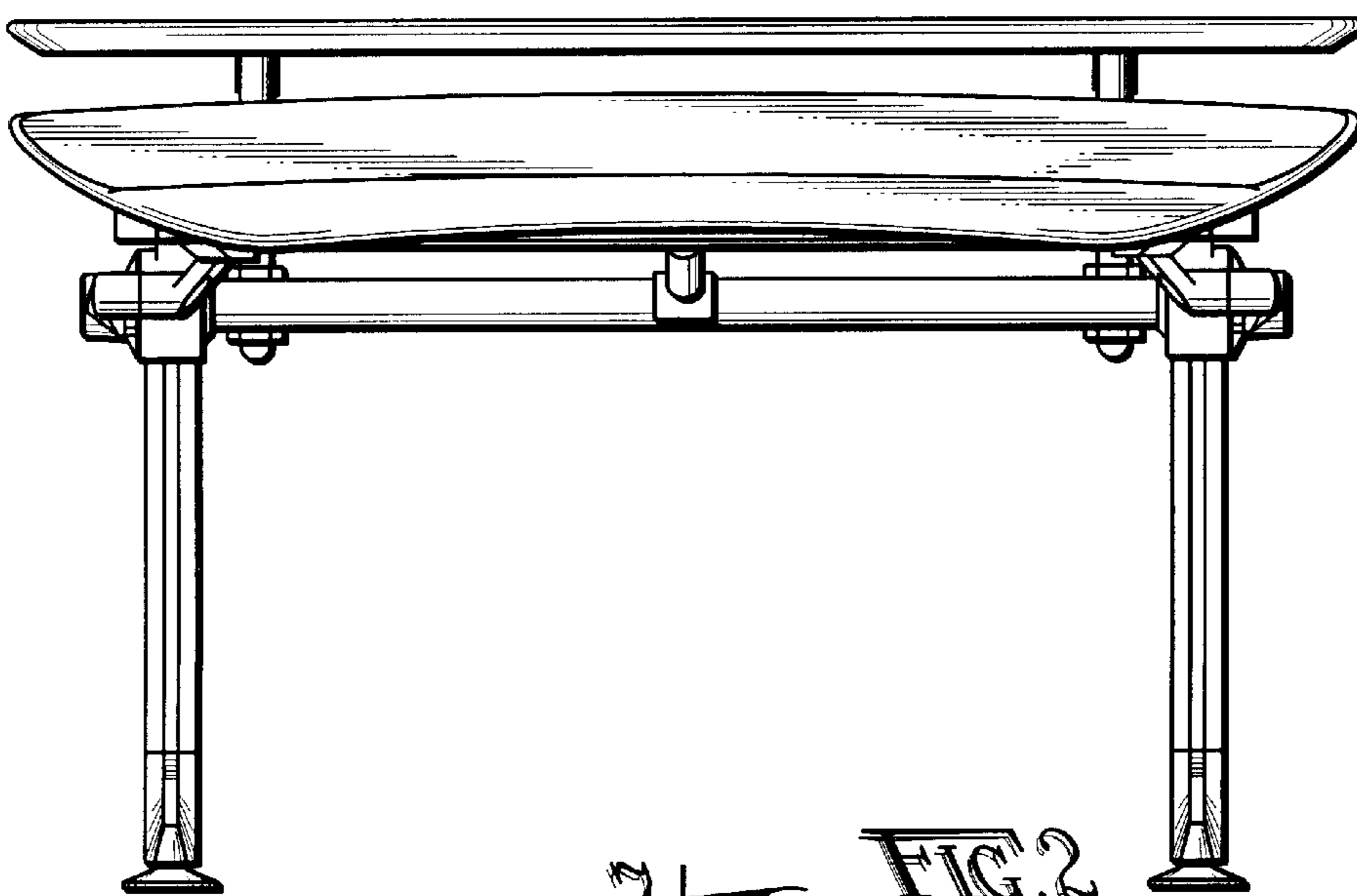
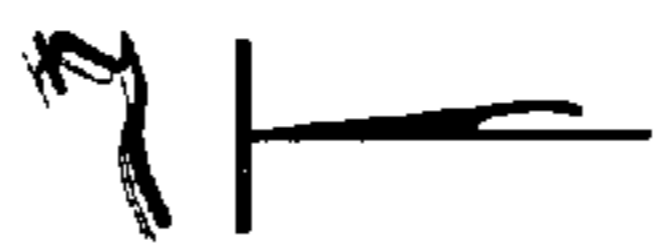


FIG. 2

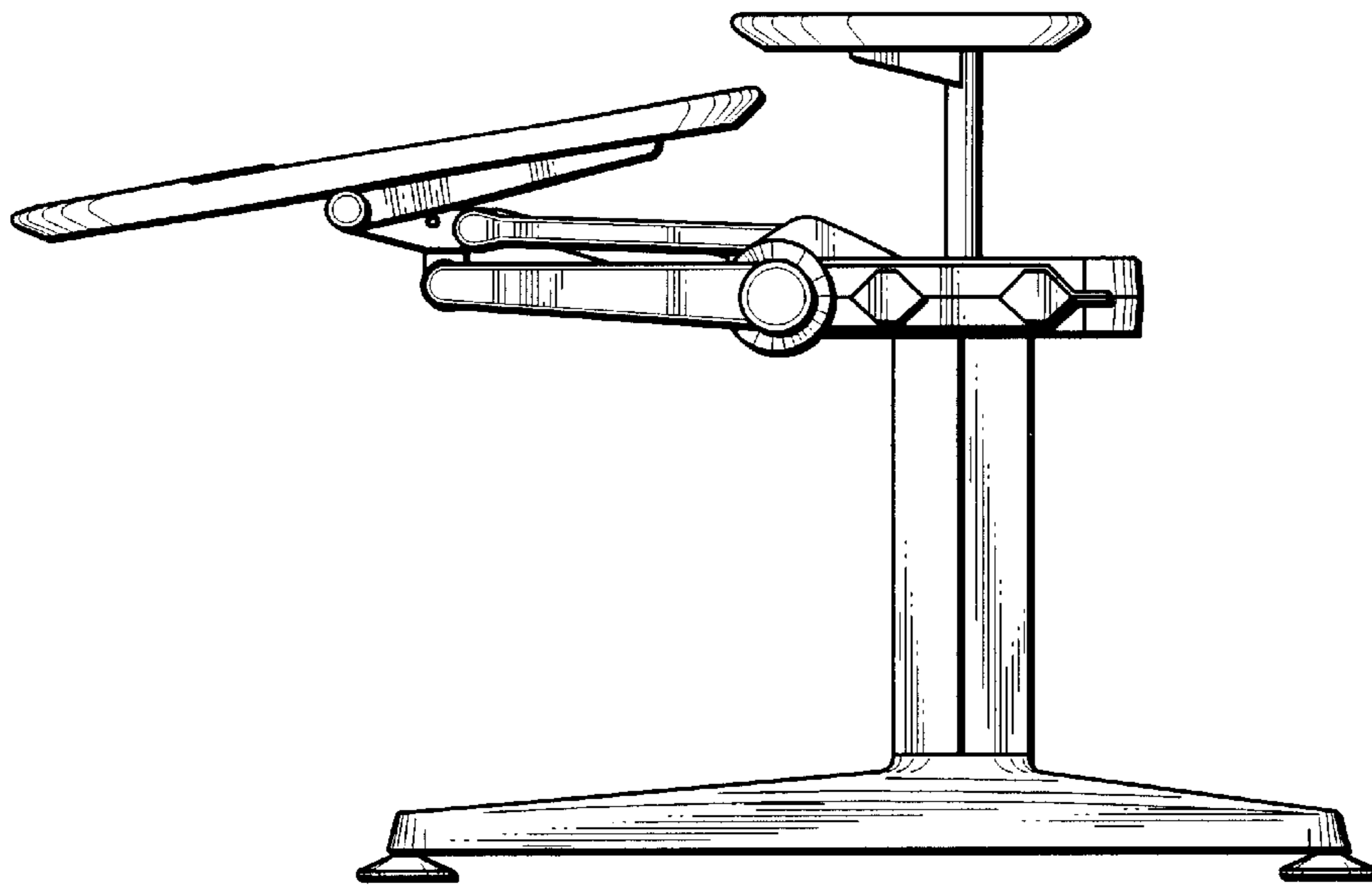


FIG. 3

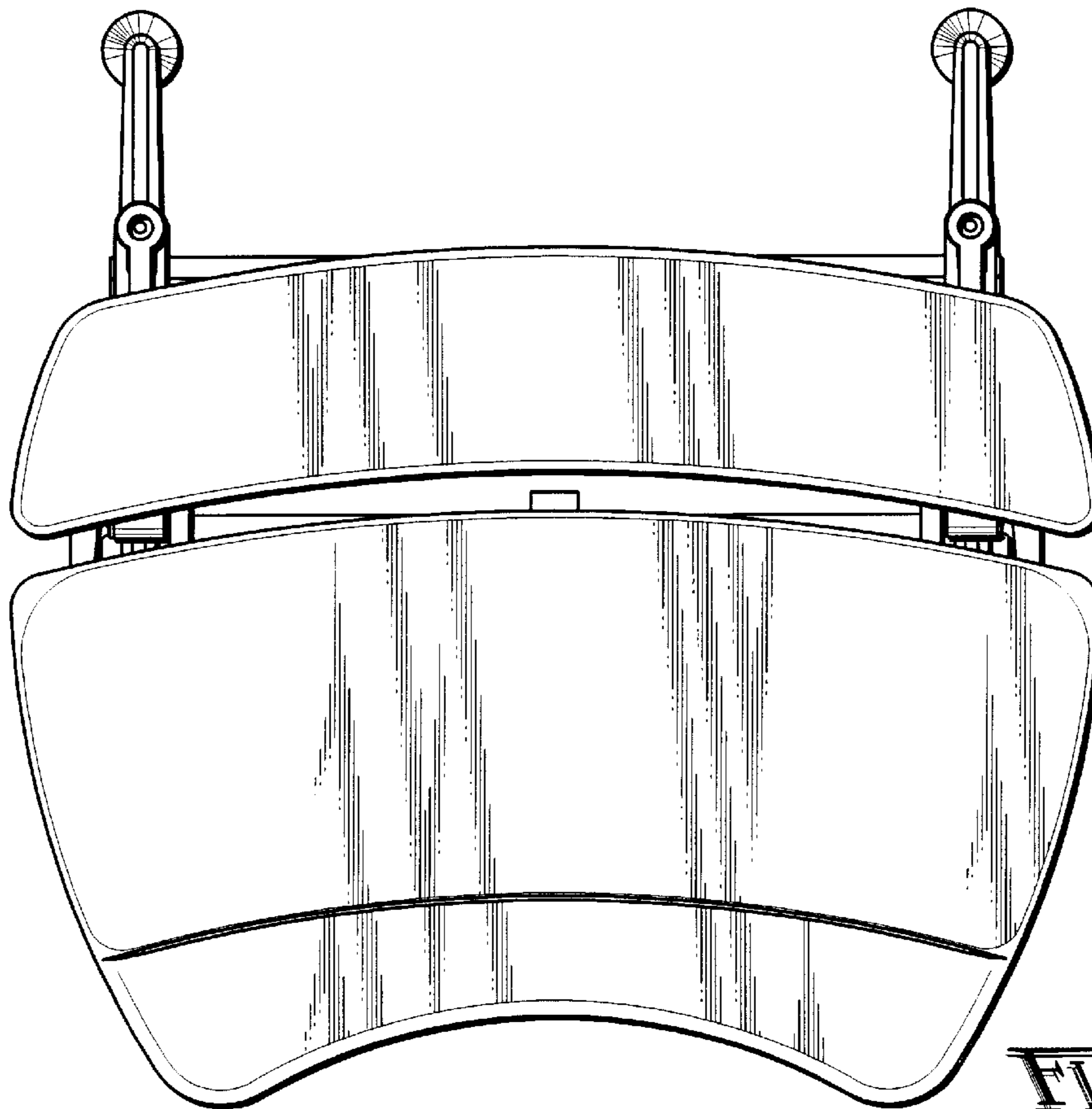


FIG. 4

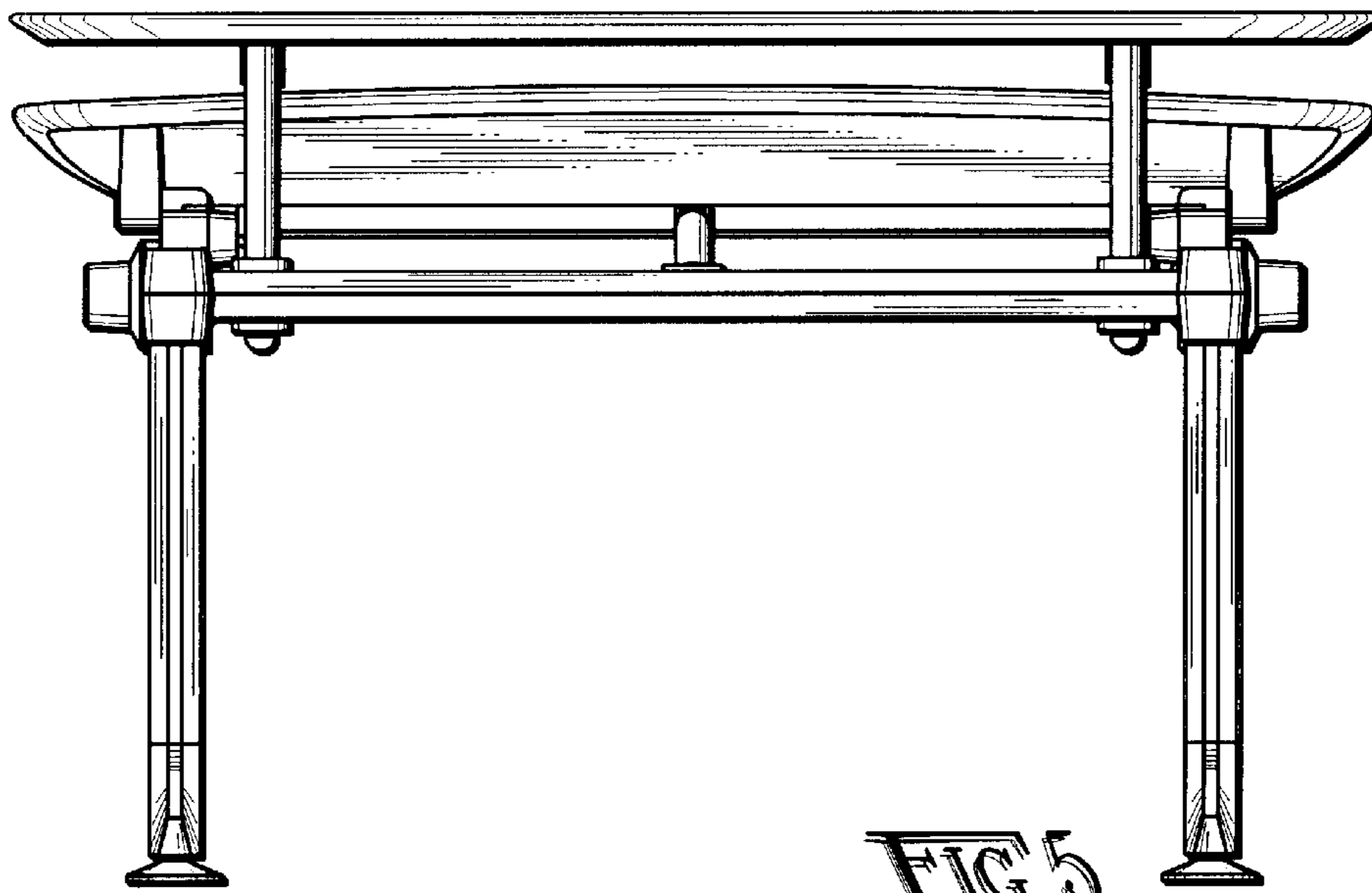


FIG. 5

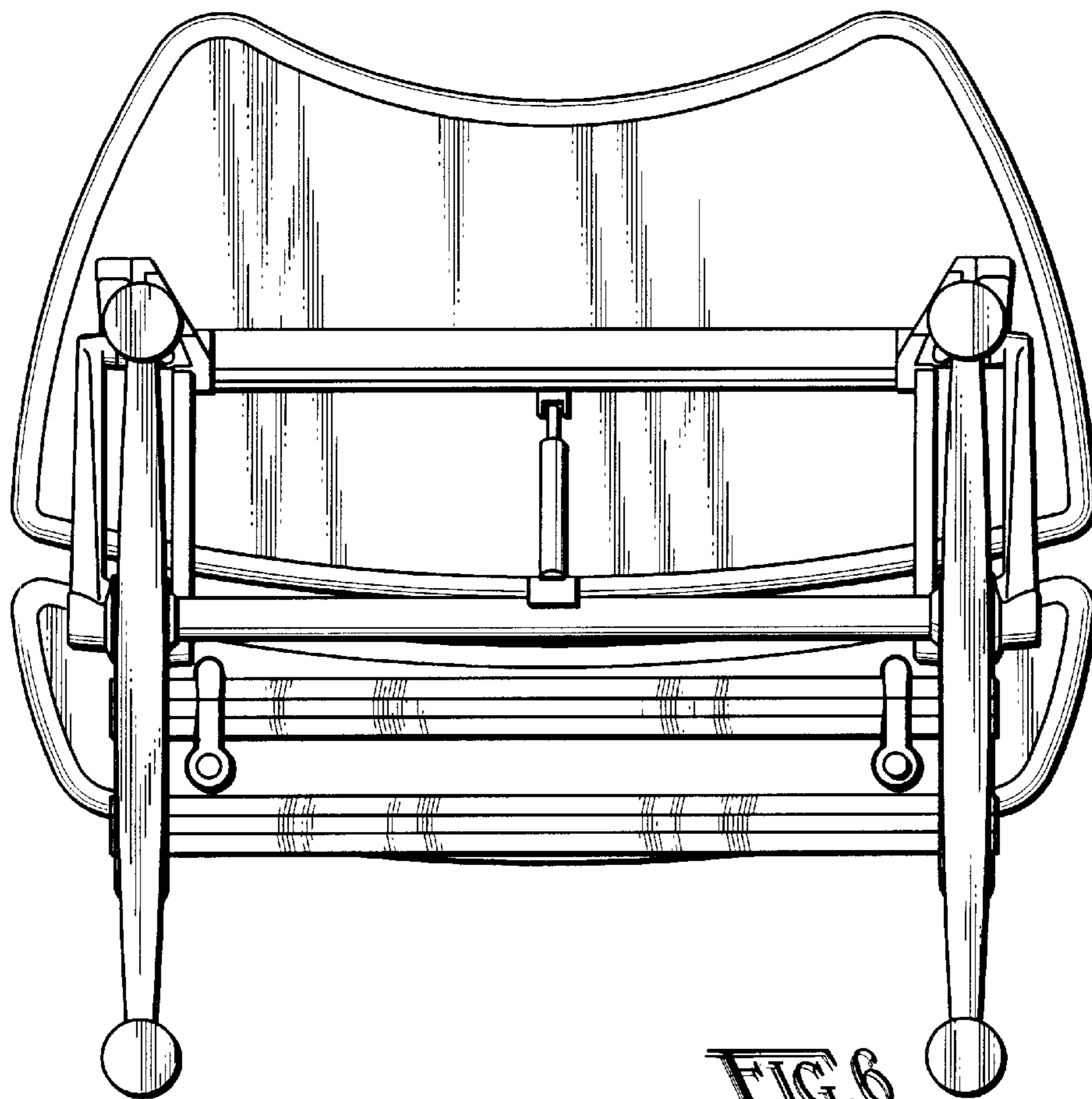


FIG. 6

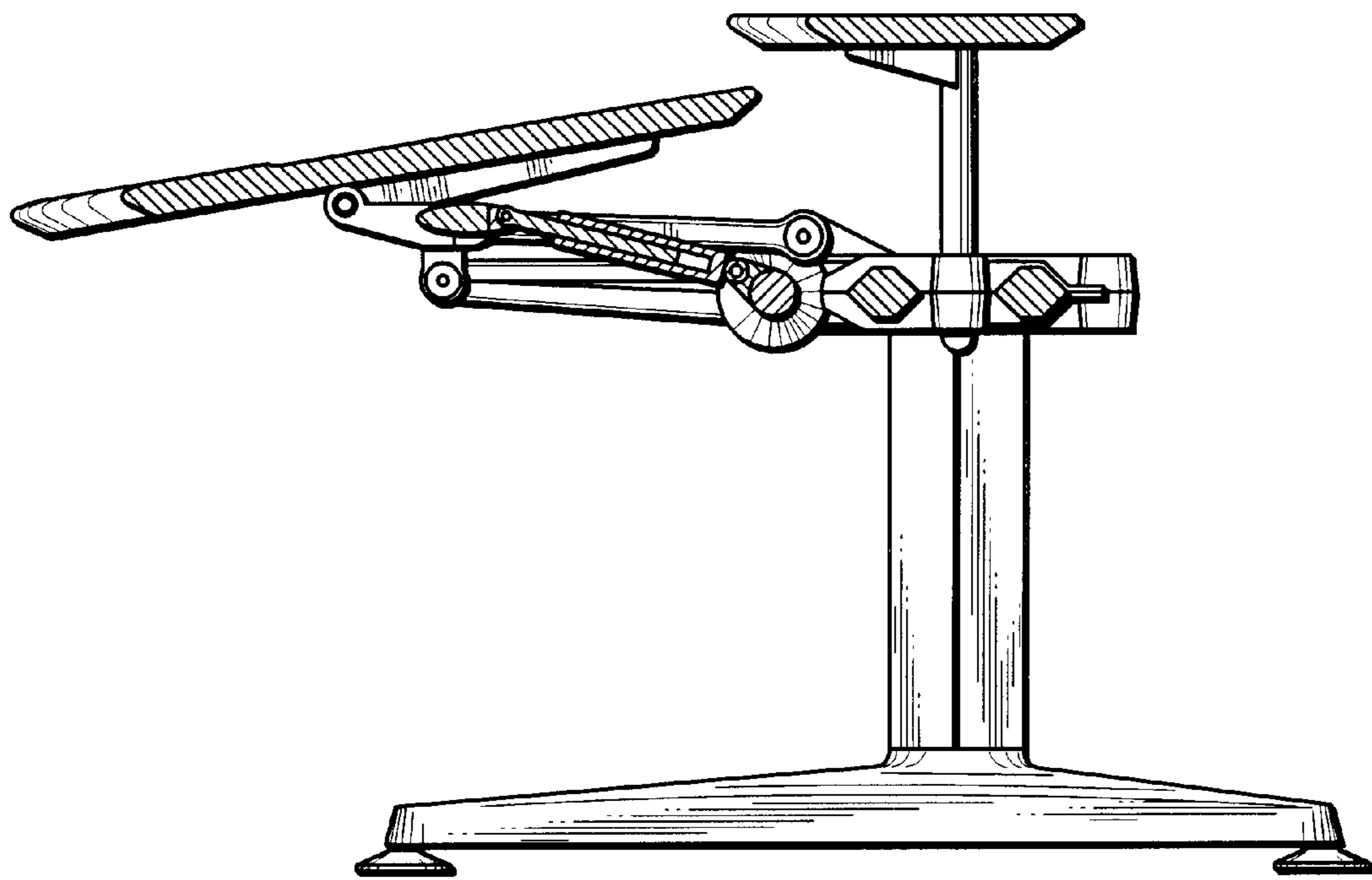


FIG. 7