



US00D530938S

(12) **United States Design Patent**  
**Netto et al.**

(10) **Patent No.:** **US D530,938 S**

(45) **Date of Patent:** **\*\* Oct. 31, 2006**

(54) **CHANGING TABLE**

php?mode=moderne and <http://www.davidnettodesign.com/content.php?mode=loft>>.

(75) Inventors: **David Netto**, New York, NY (US);  
**William A. McClave**, New York, NY (US)

\* cited by examiner

(73) Assignee: **Netto Collection LLC**, New York, NY (US)

*Primary Examiner*—Cathron C. Brooks  
(74) *Attorney, Agent, or Firm*—White, Redway & Brown LLP

(\*\*) **Term:** **14 Years**

(57) **CLAIM**

(21) Appl. No.: **29/222,890**

The ornamental design for a changing table, as shown and described.

(22) Filed: **Feb. 7, 2005**

(51) **LOC (8) Cl.** ..... **06-01**

**DESCRIPTION**

(52) **U.S. Cl.** ..... **D6/384; D6/436; D6/446**

(58) **Field of Classification Search** ..... D6/384,  
D6/432–448; 5/93.1, 93.2, 2.1, 655  
See application file for complete search history.

FIG. 1 is a perspective view of a changing table according to an embodiment of the present invention;

FIG. 2 is a front view of the changing table according to an embodiment of the present invention;

(56) **References Cited**

U.S. PATENT DOCUMENTS

FIG. 3 is a rear view of the changing table according to an embodiment of the present invention;

D190,356 S	*	5/1961	Grant	.....	D6/384
D223,373 S	*	4/1972	Elvestad	.....	D6/440
D224,769 S	*	9/1972	Richardson	.....	D6/439
D258,032 S	*	1/1981	Tebbe et al.	.....	D6/445
D258,785 S	*	4/1981	Hatch et al.	.....	D6/440
D313,516 S		1/1991	Socher		
D327,786 S		7/1992	Ferrell		
D330,102 S	*	10/1992	Gunn	.....	D6/445
D375,419 S		11/1996	Levine		
D384,525 S	*	10/1997	McBrayer et al.	.....	D6/446
D404,222 S		1/1999	Beaumont		
D426,982 S		6/2000	Freedberg		
D516,835 S	*	3/2006	Netto et al.	.....	D6/446

FIG. 4 is a right-side view of the changing table according to an embodiment of the present invention;

FIG. 5 is a left-side view of the changing table according to an embodiment of the present invention;

FIG. 6 is a top view of the changing table according to an embodiment of the present invention;

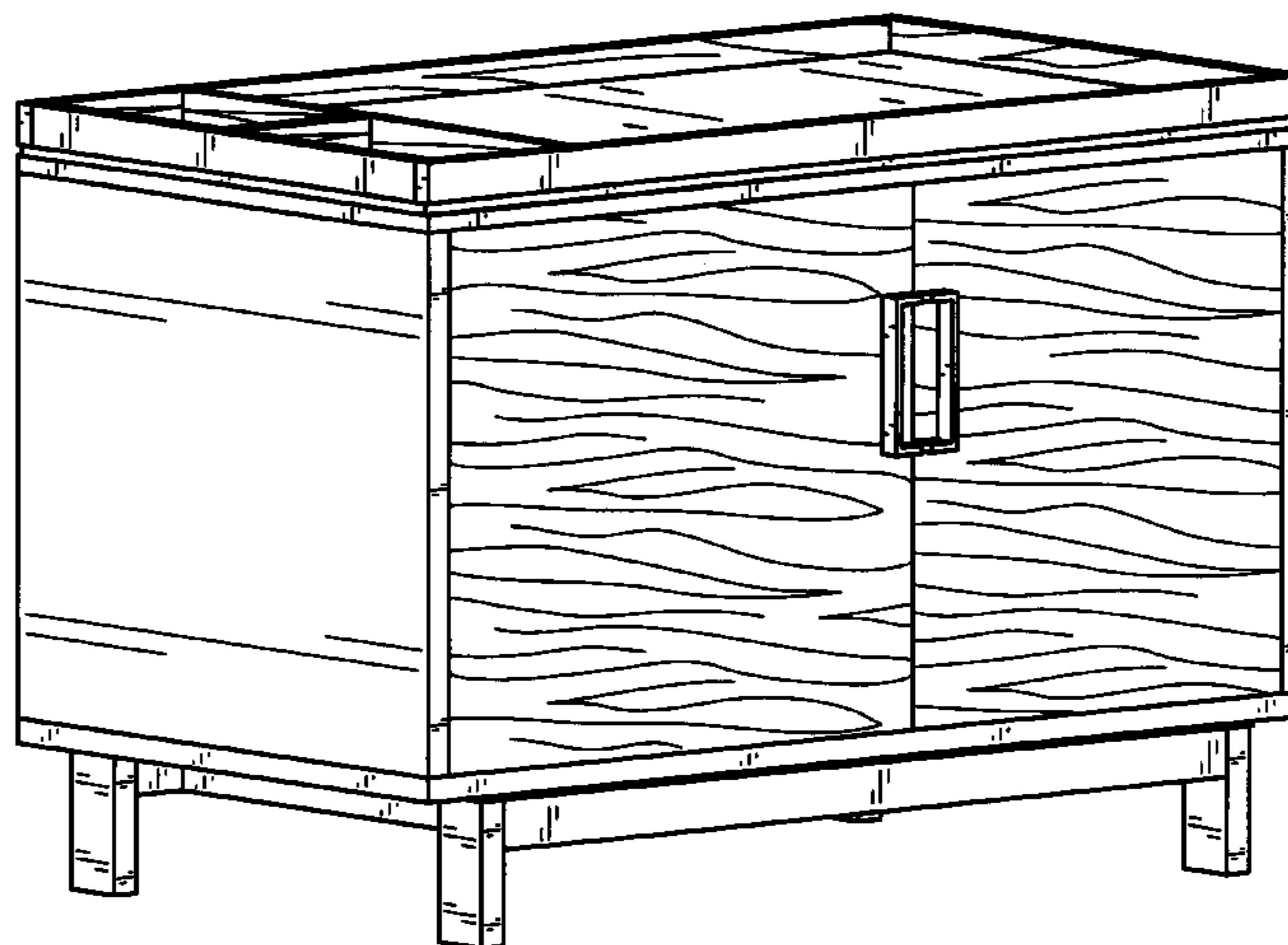
FIG. 7 is a bottom view of the changing table according to an embodiment of the present invention; and,

FIG. 8 is a perspective view of a changing table with front doors open and a sliding shelf portion pulled out according to an embodiment of the present invention.

OTHER PUBLICATIONS

David Netto Design webpage [online], [retrieved Dec. 3, 2004] “Loft” and “Moderne” designs. Retrieved from the Internet: <URL: <http://www.davidnettodesign.com/content>

**1 Claim, 7 Drawing Sheets**



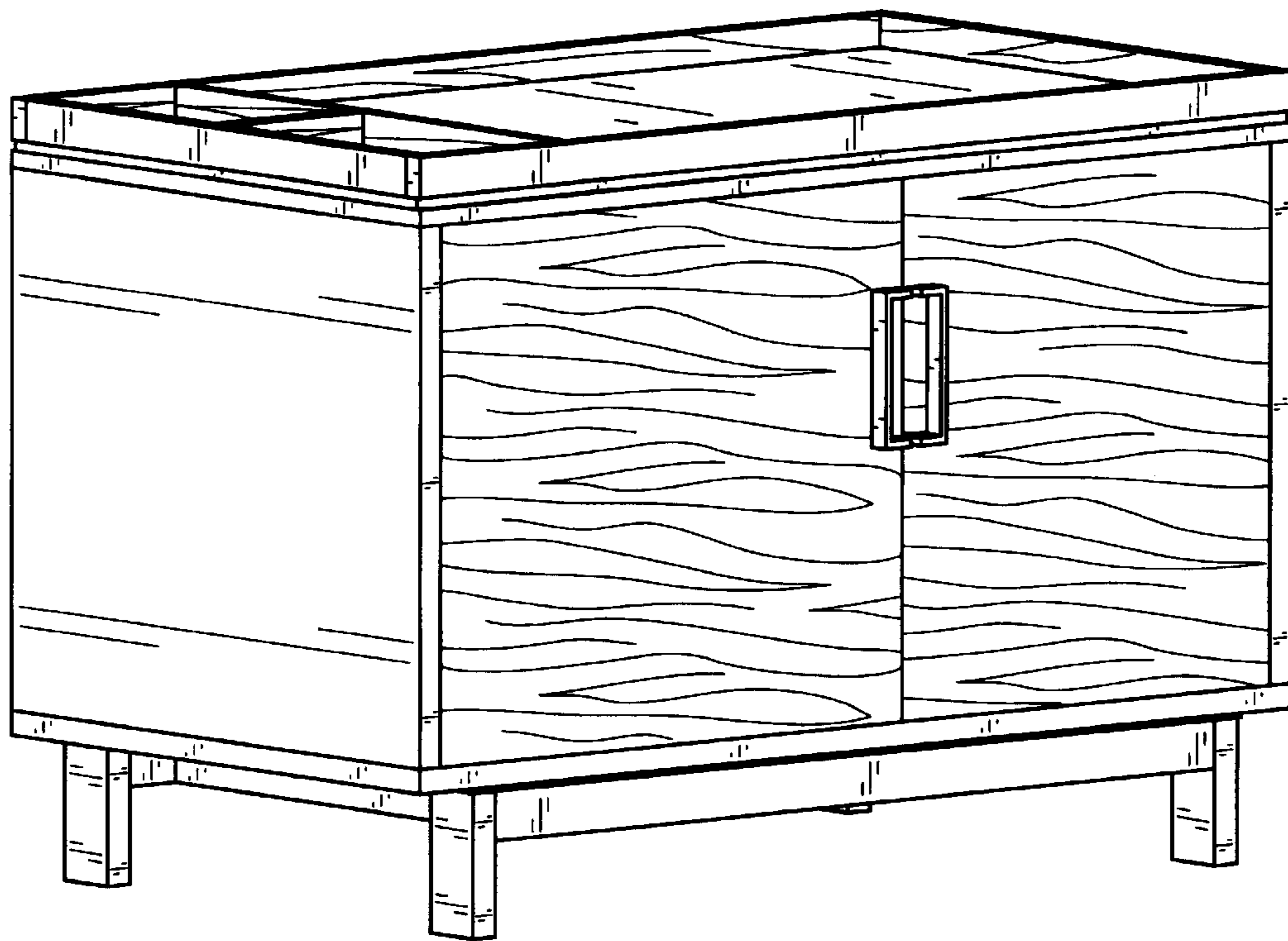


FIG. 1

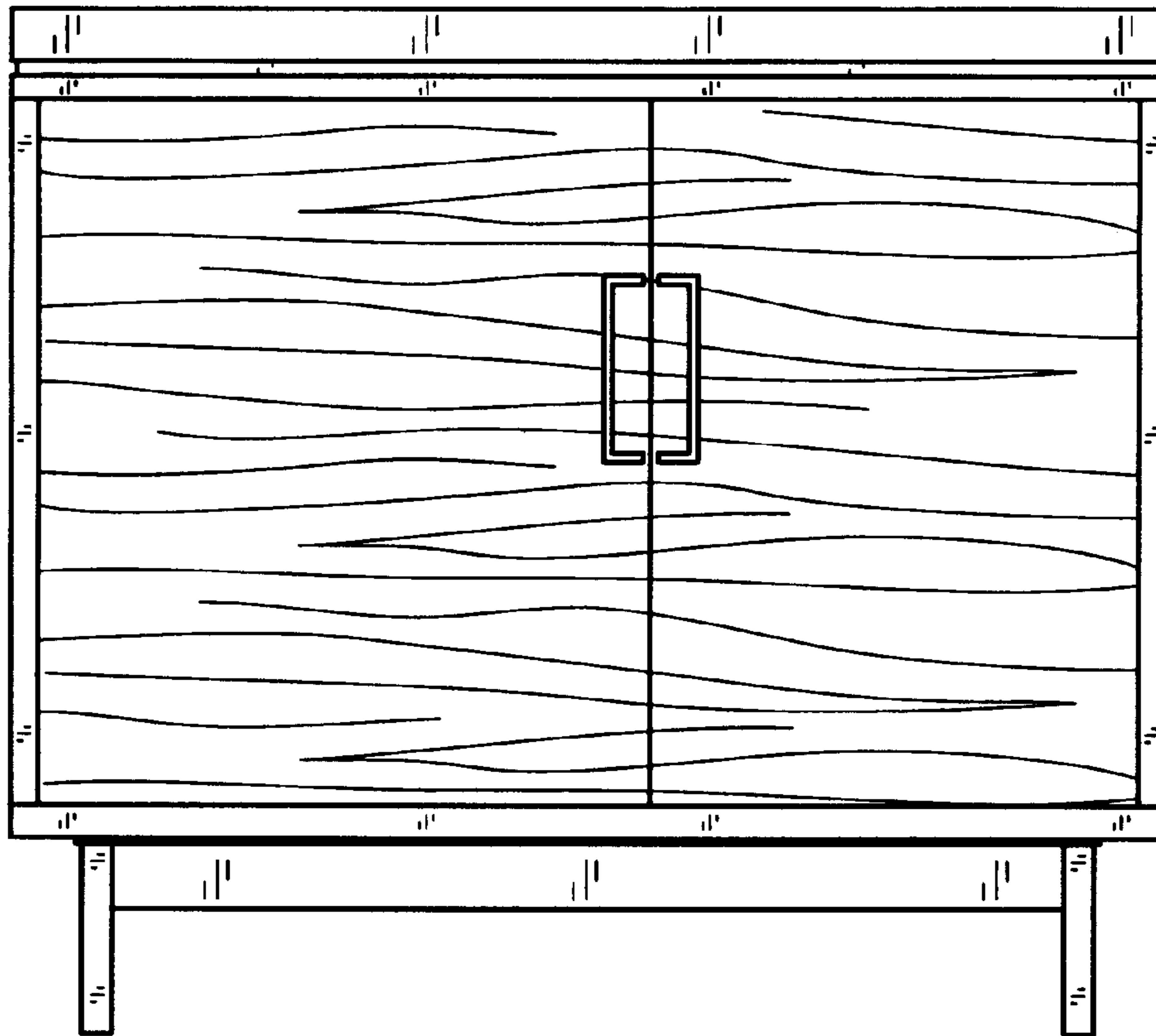


FIG. 2

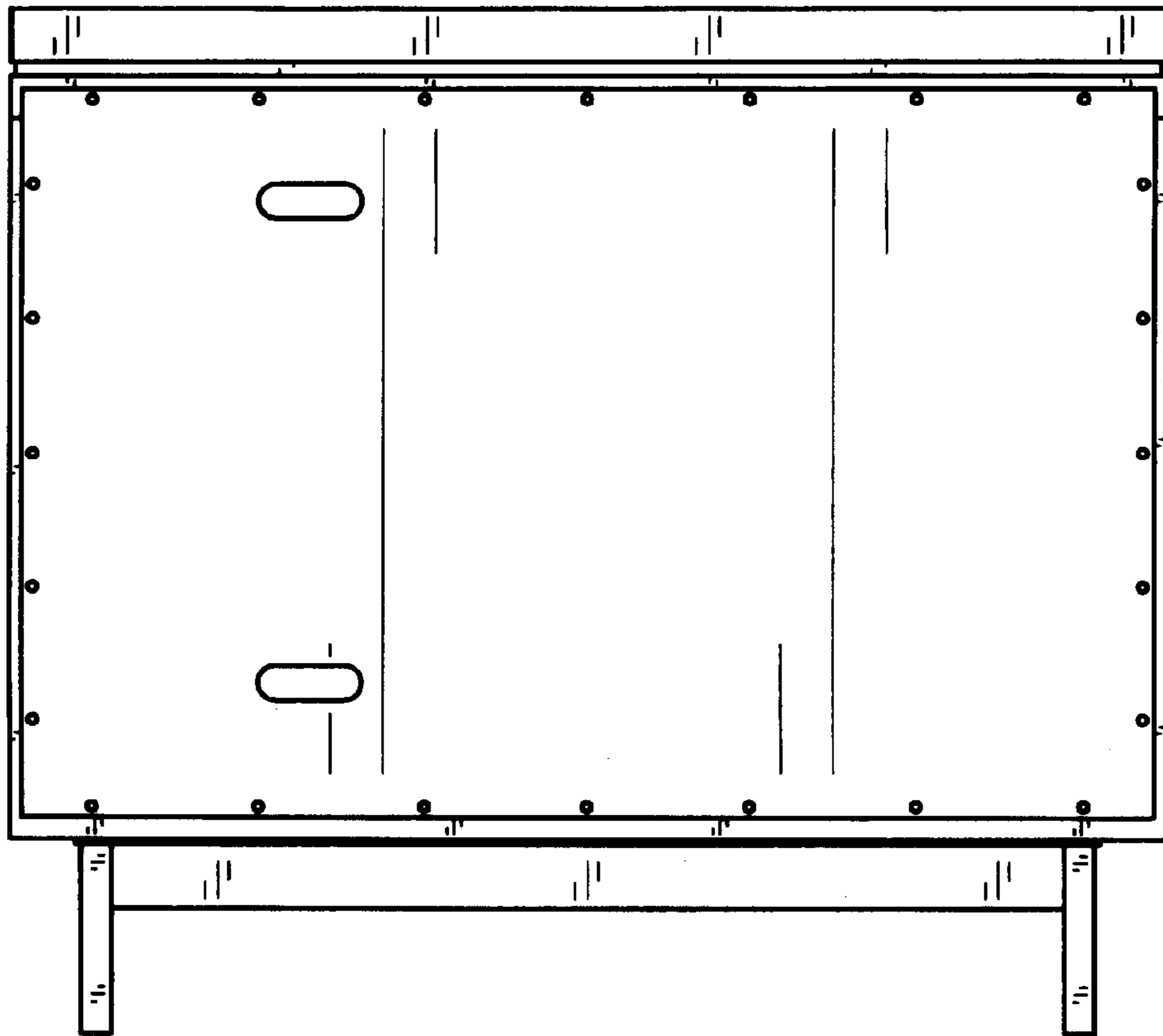


FIG. 3

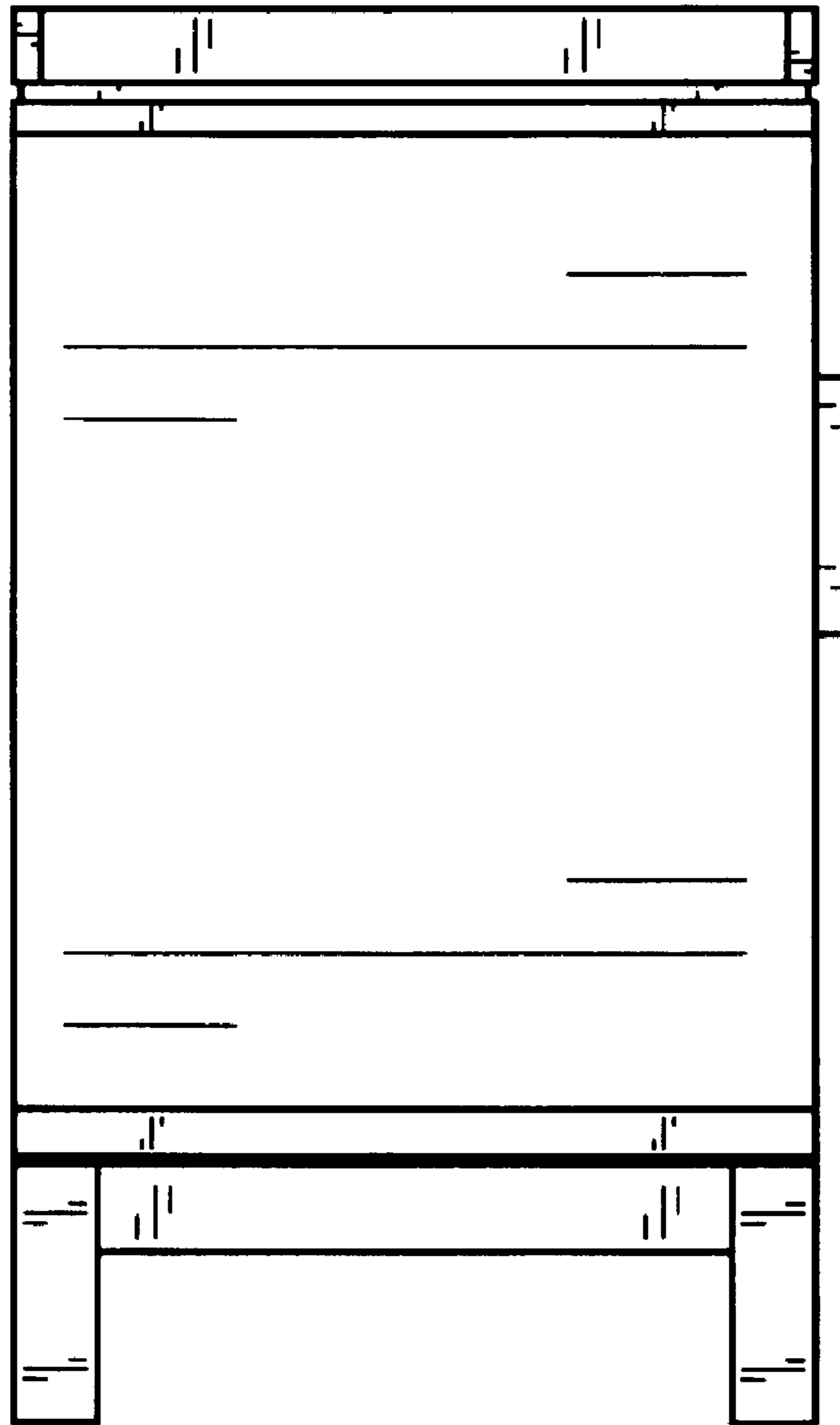


FIG. 4

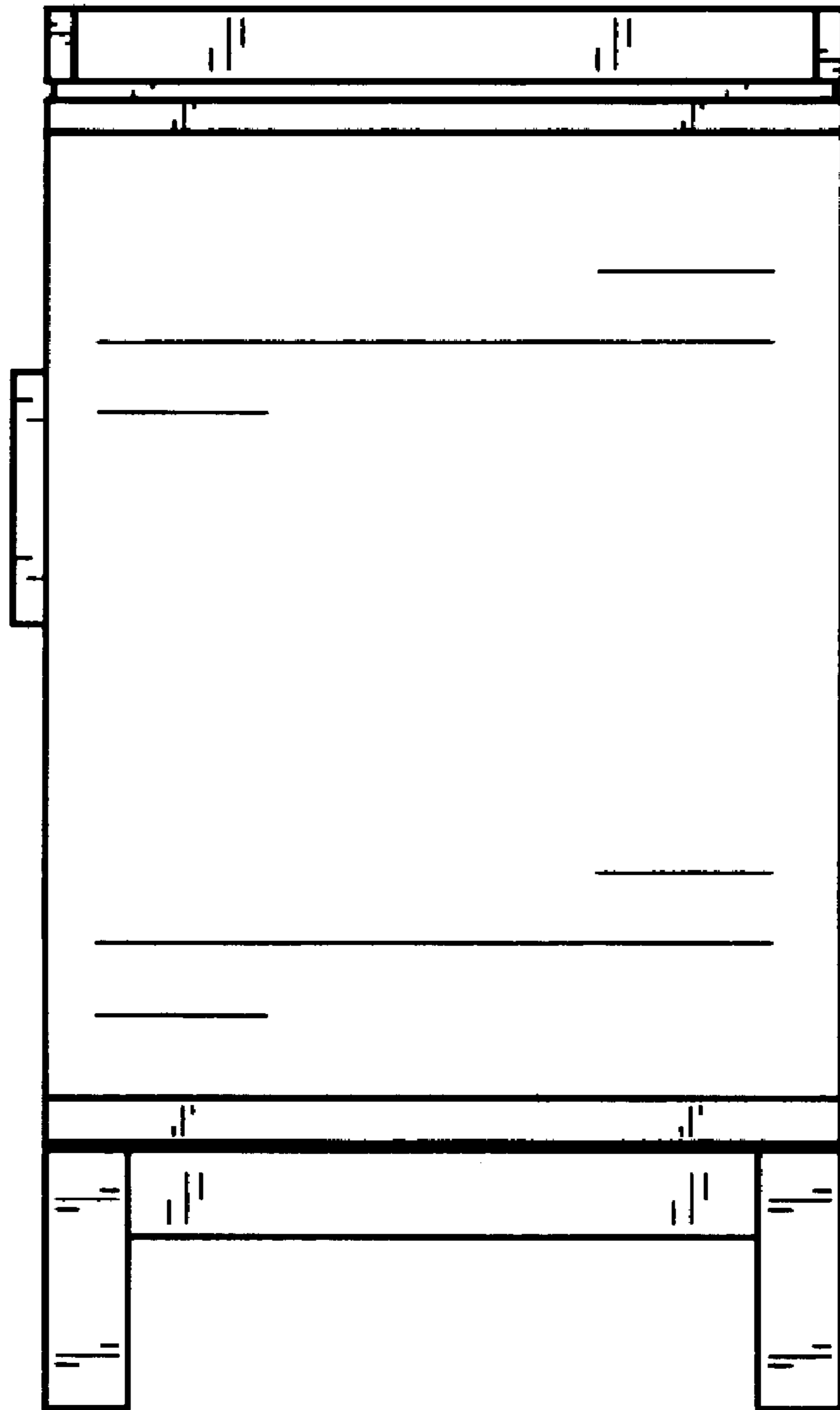


FIG. 5

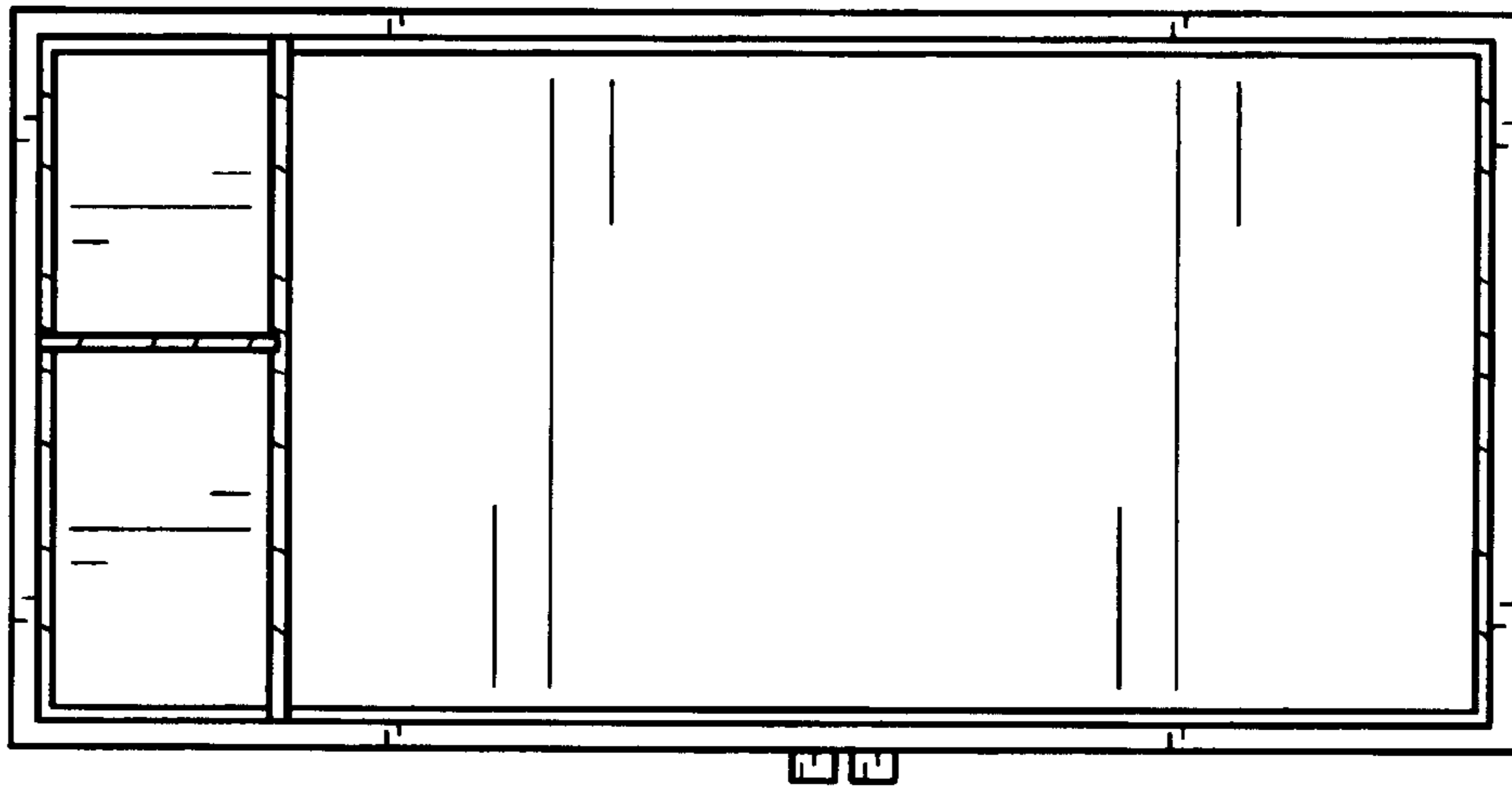


FIG. 6

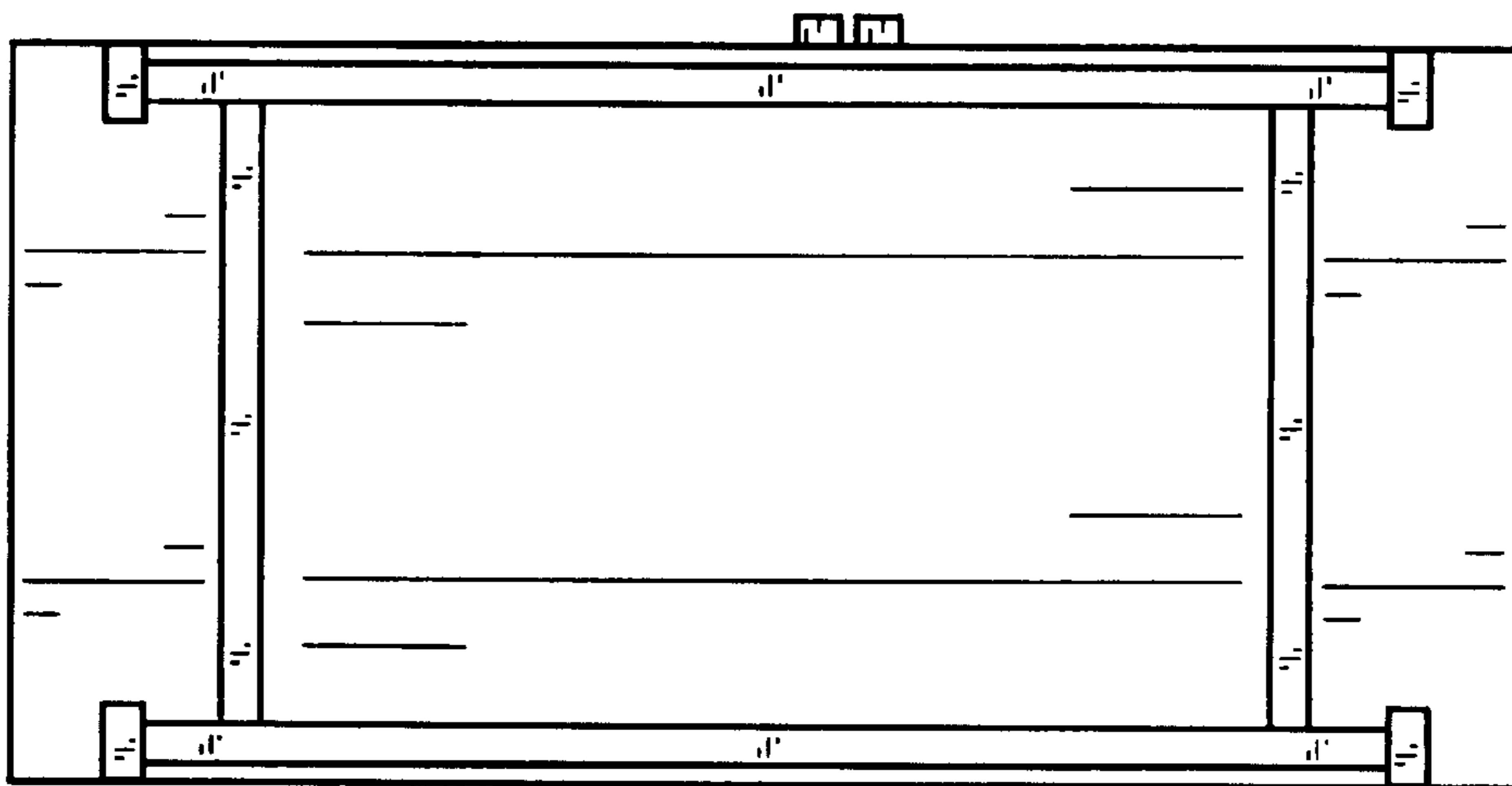


FIG. 7

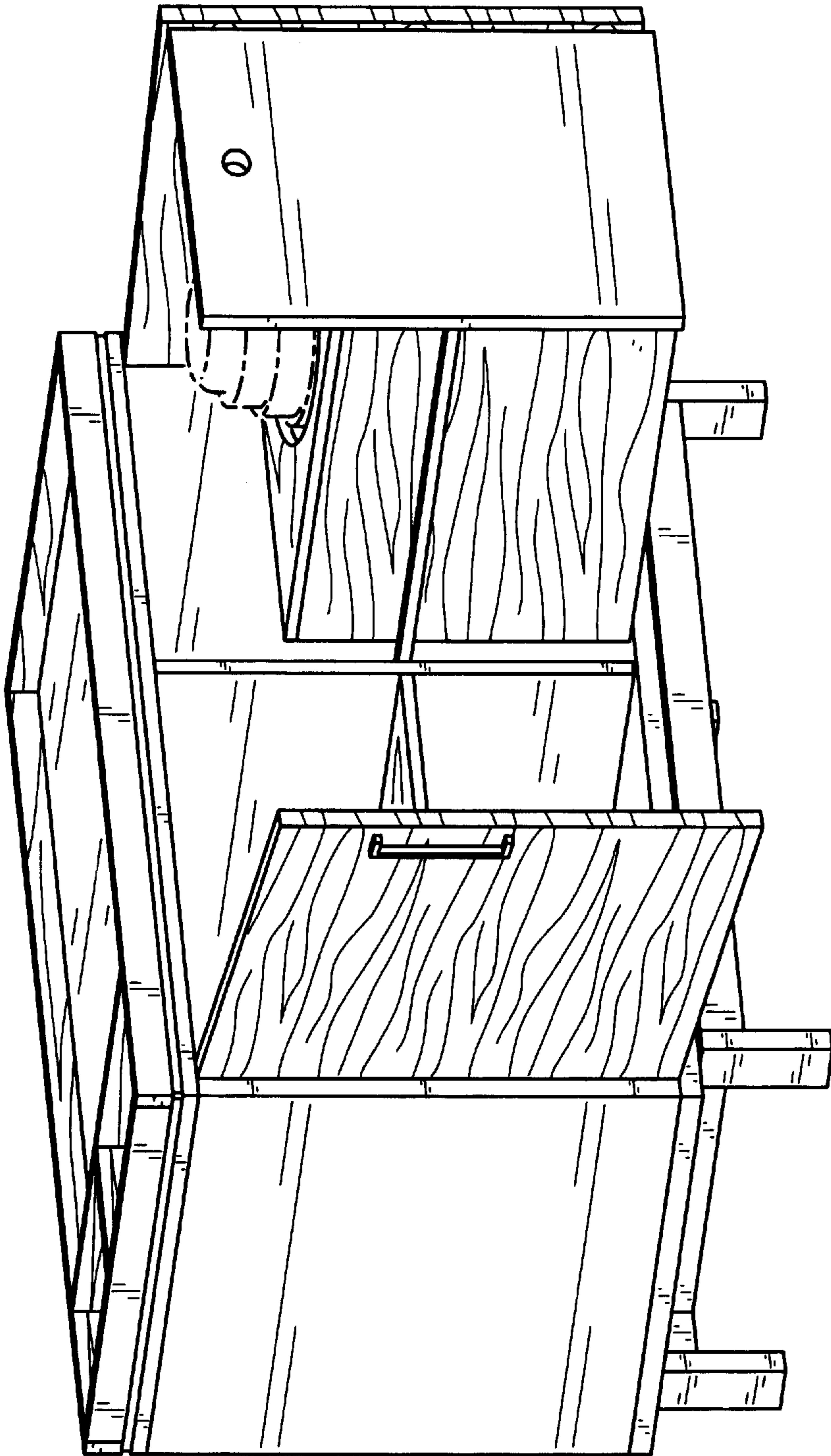


FIG. 8