



US00D530936S

(12) **United States Design Patent**
Gehry

(10) **Patent No.:** **US D530,936 S**

(45) **Date of Patent:** **** Oct. 31, 2006**

(54) **CHAIR FOR THEATRES, AUDITORIUMS OR THE LIKE**

(75) **Inventor:** **Frank O. Gehry**, Los Angeles, CA (US)

(73) **Assignee:** **Gehry Design, LLC**, Los Angeles, CA (US)

(**) **Term:** **14 Years**

(21) **Appl. No.:** **29/219,136**

(22) **Filed:** **Dec. 14, 2004**

(51) **LOC (8) Cl.** **06-01**

(52) **U.S. Cl.** **D6/368**

(58) **Field of Classification Search** D6/334–336,
D6/356, 364, 365, 367, 368, 381, 374, 500–502;
297/232, 248, 311, 324, 326, 332, 335, 411.45,
297/451.3, 354.1

See application file for complete search history.

(56) **References Cited**

U.S. PATENT DOCUMENTS

D165,457 S	*	12/1951	Valls	D6/368
D216,305 S	*	12/1969	Gazit	D6/368
D222,350 S	*	10/1971	Sunberg et al.	D6/368
D226,058 S	*	1/1973	Woods	D6/368

D260,058 S	*	8/1981	Ponzellini	D6/336
D381,214 S	*	7/1997	Haney et al.	D6/500
D479,657 S	*	9/2003	Calatrava Valls	D6/368
D482,884 S	*	12/2003	Plant et al.	D6/368
D483,194 S	*	12/2003	Plant et al.	D6/368
D509,672 S	*	9/2005	Nemeth et al.	D6/368
D520,765 S	*	5/2006	Piano	D6/368

* cited by examiner

Primary Examiner—Mimosa De

(74) *Attorney, Agent, or Firm*—Sughrue Mion, PLLC

(57) **CLAIM**

The ornamental design for a chair for theatres, auditoriums or the like, as shown and described.

DESCRIPTION

FIG. 1 is a perspective view of the top, rear and right side of a chair for theatres, auditoriums or the like showing my new design;

FIG. 2 is a top plan view thereof;

FIG. 3 is a bottom plan view thereof;

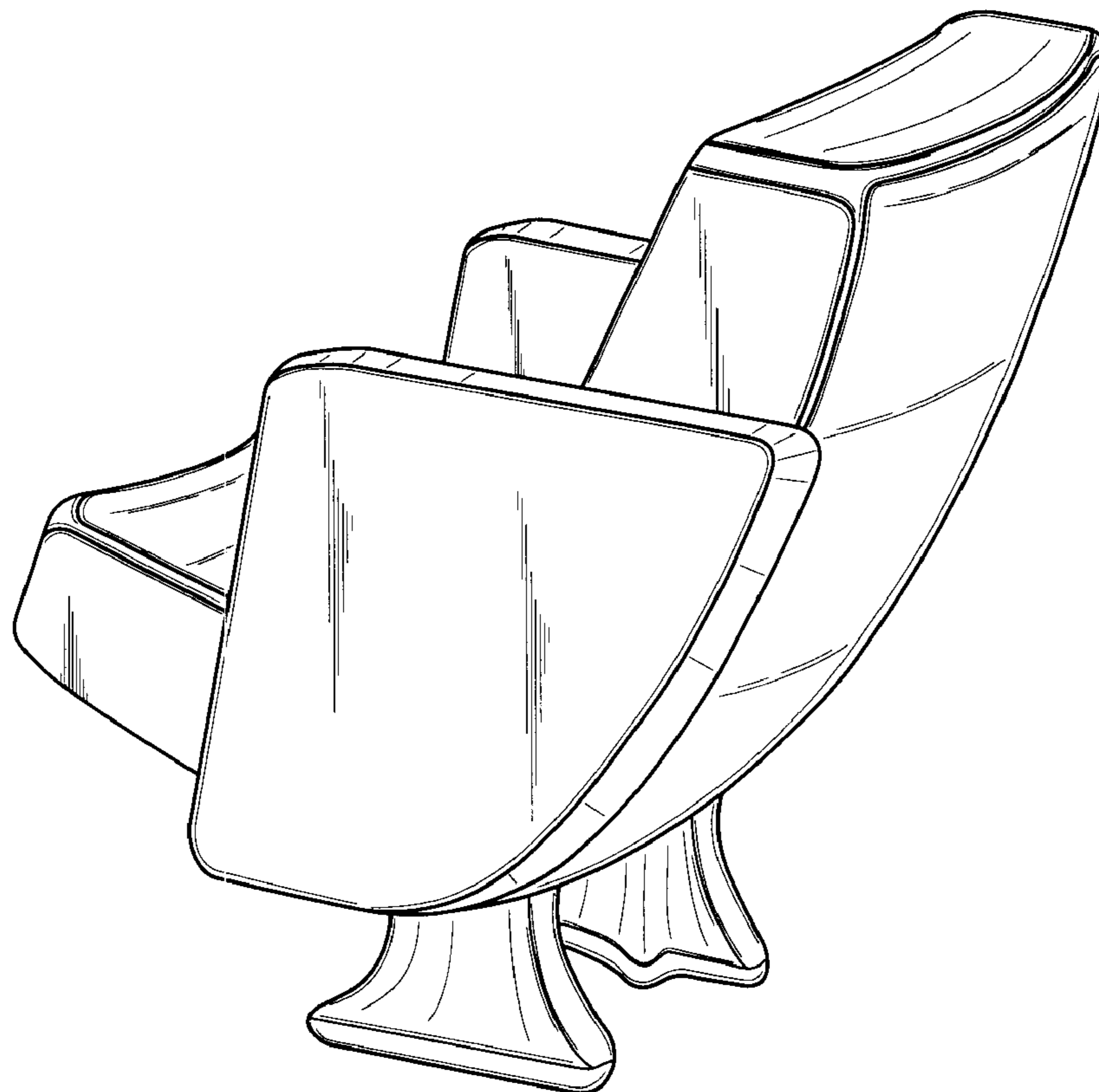
FIG. 4 is a reduced rear elevational view thereof;

FIG. 5 is a reduced left side elevational view thereof;

FIG. 6 is a reduced right side elevational view thereof; and,

FIG. 7 is a reduced front elevational view thereof.

1 Claim, 3 Drawing Sheets



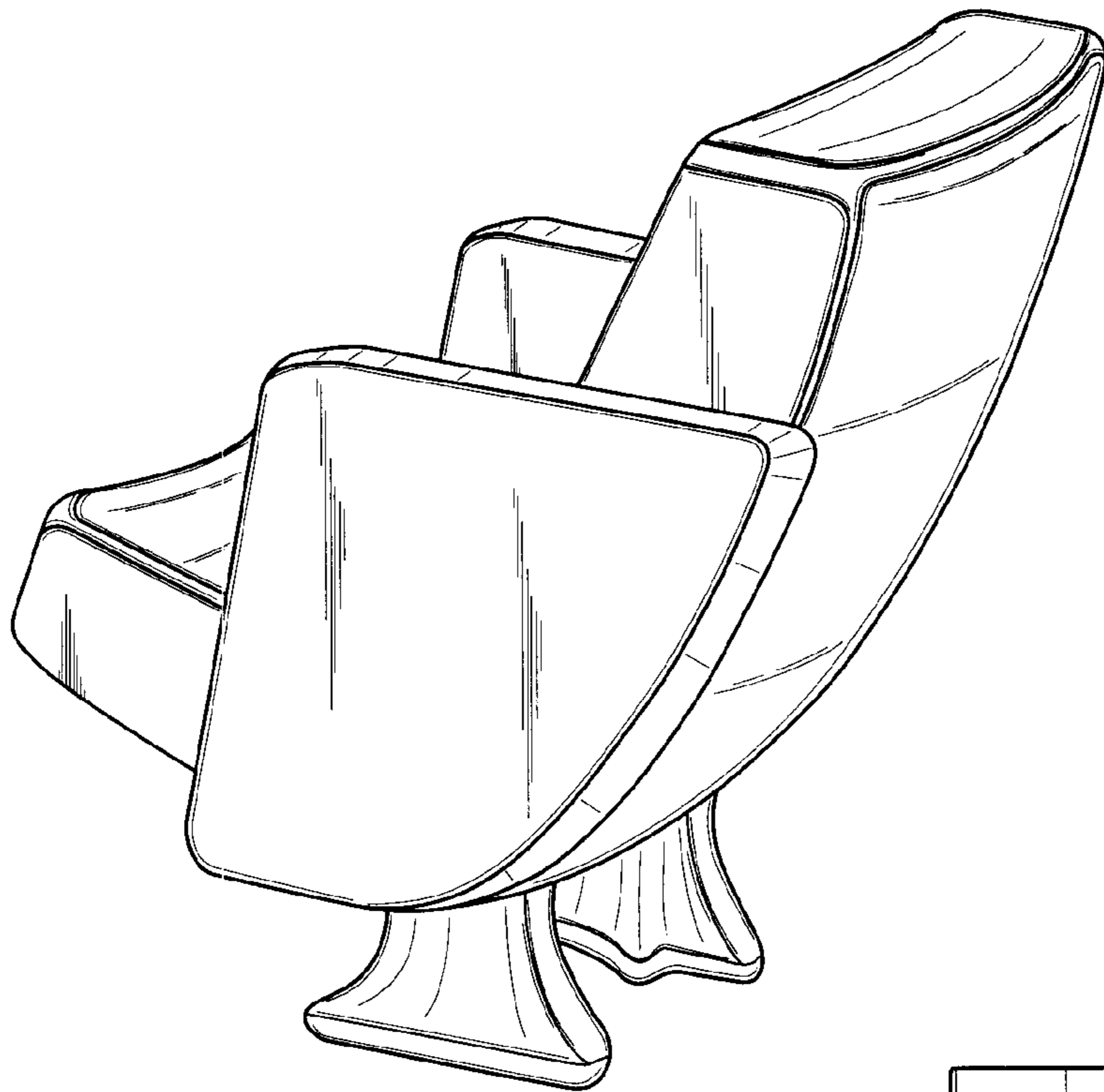


Fig. 1

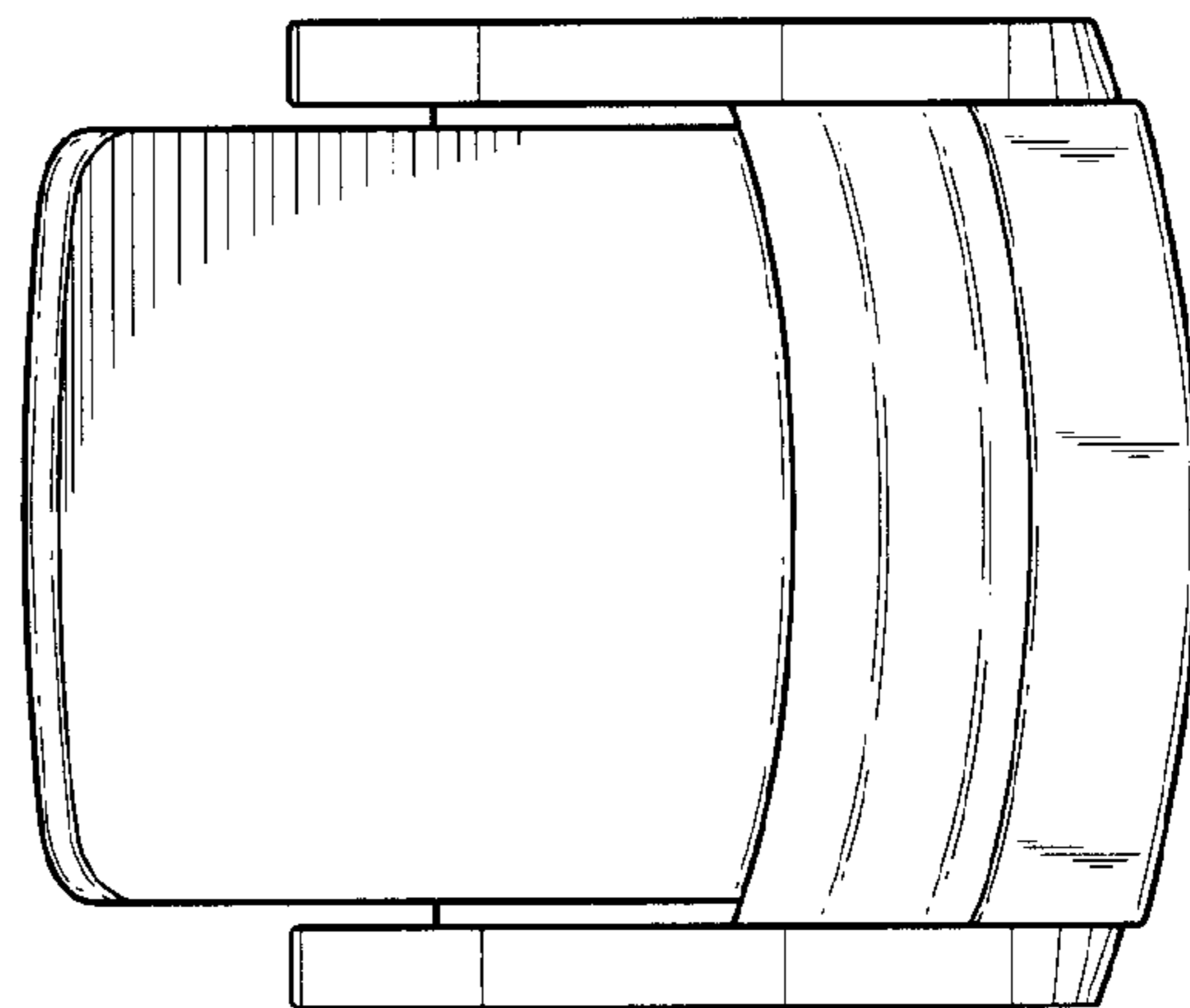


Fig. 2

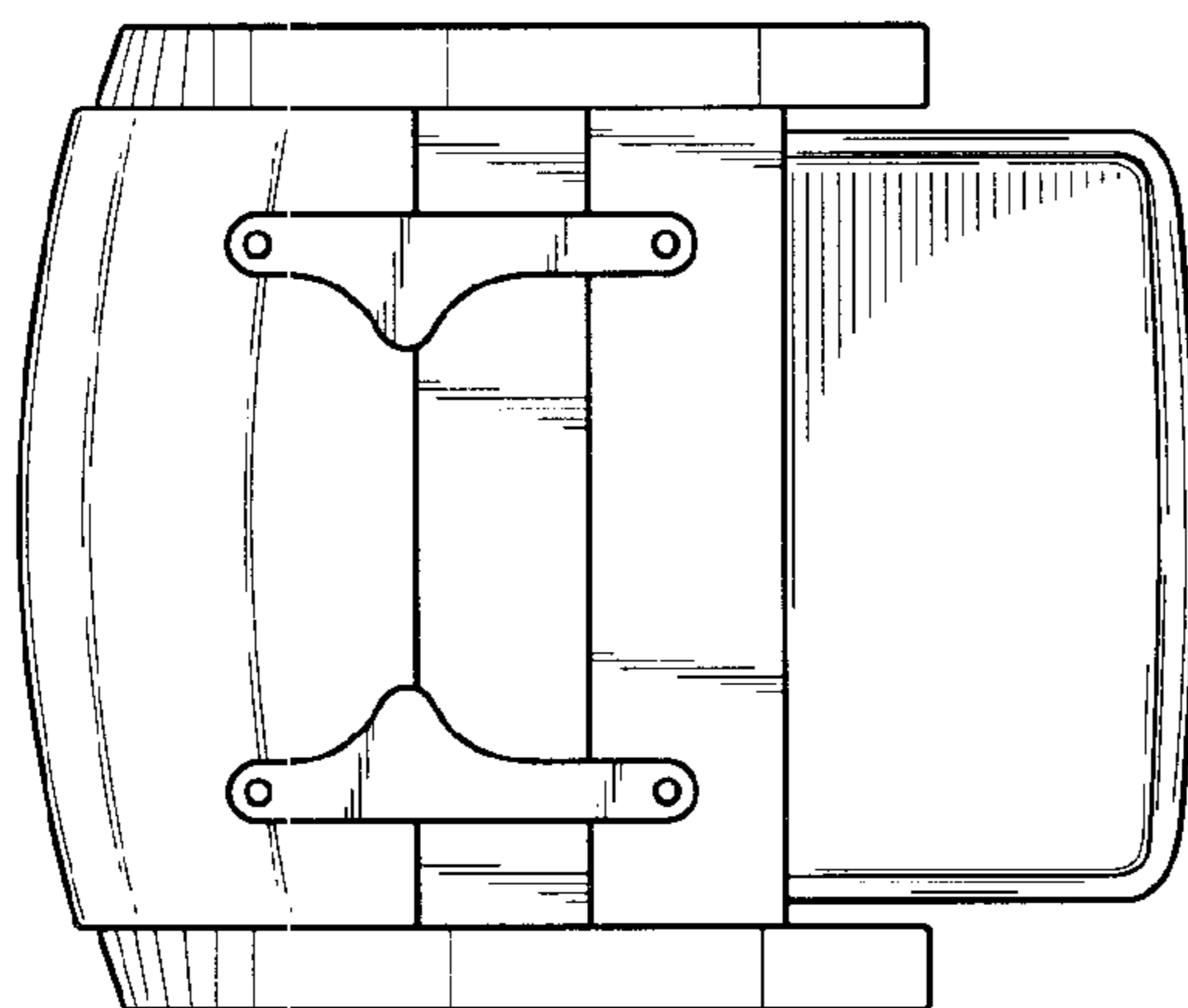


Fig. 3

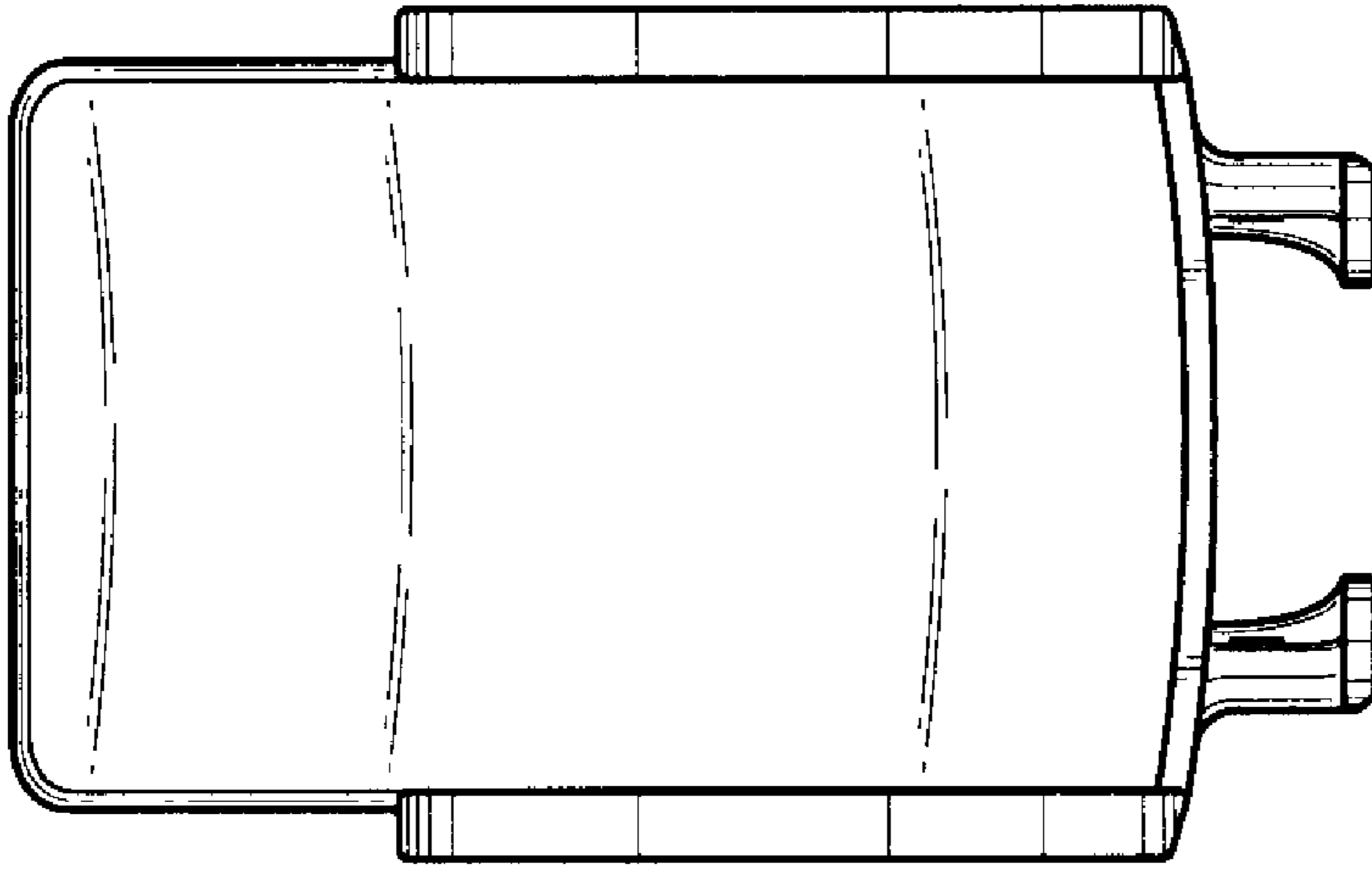


Fig. 5

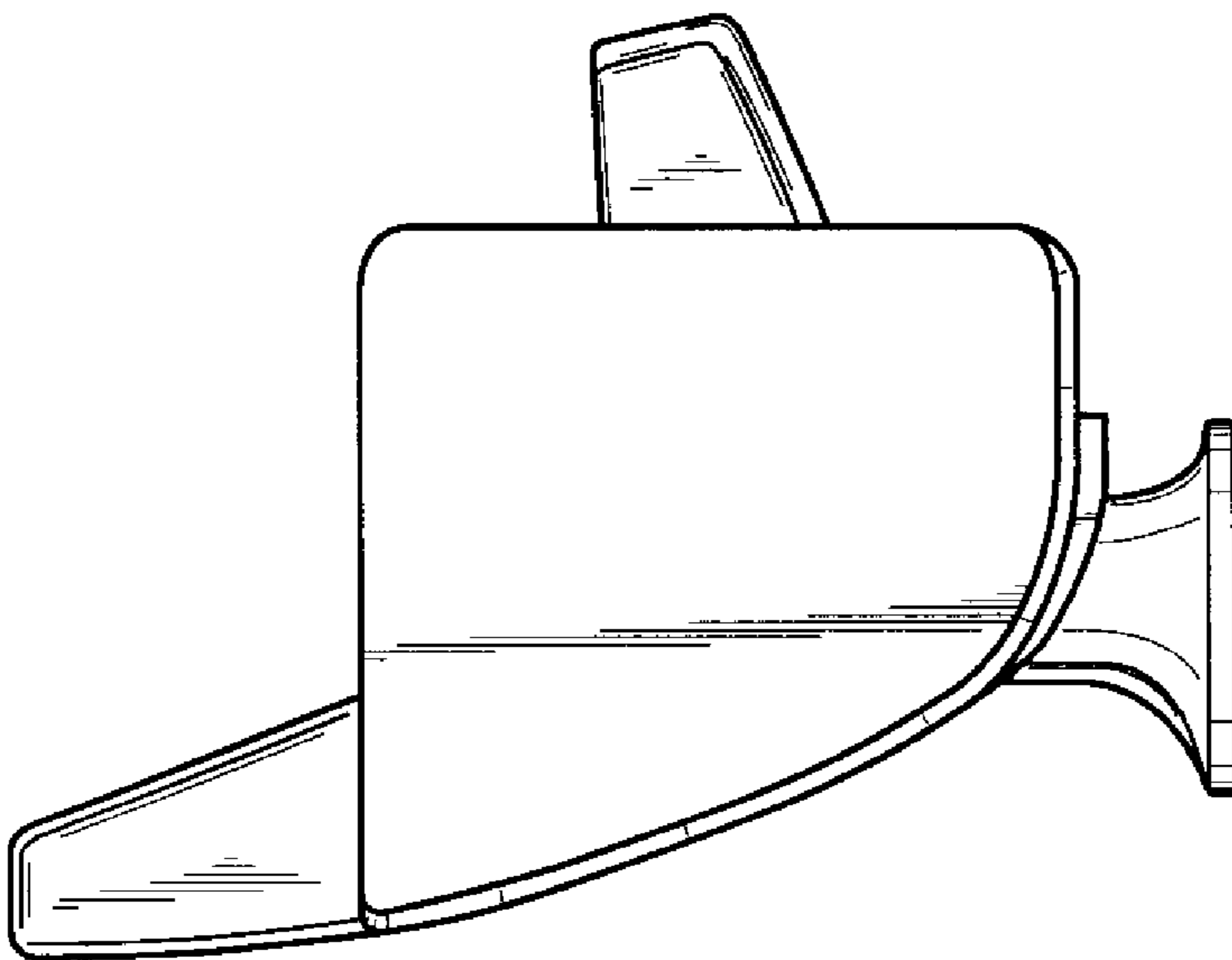


Fig. 4

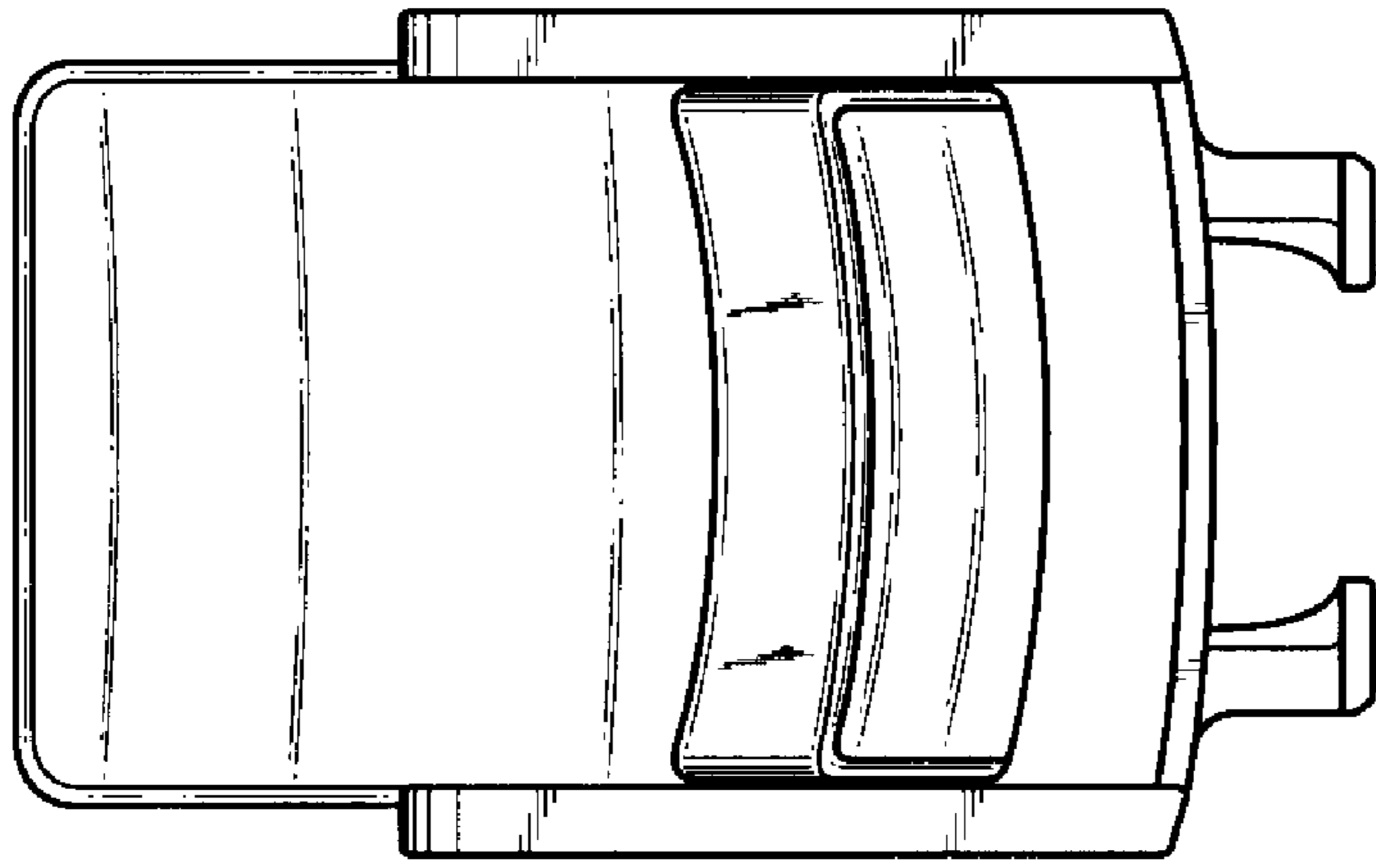


Fig. 7

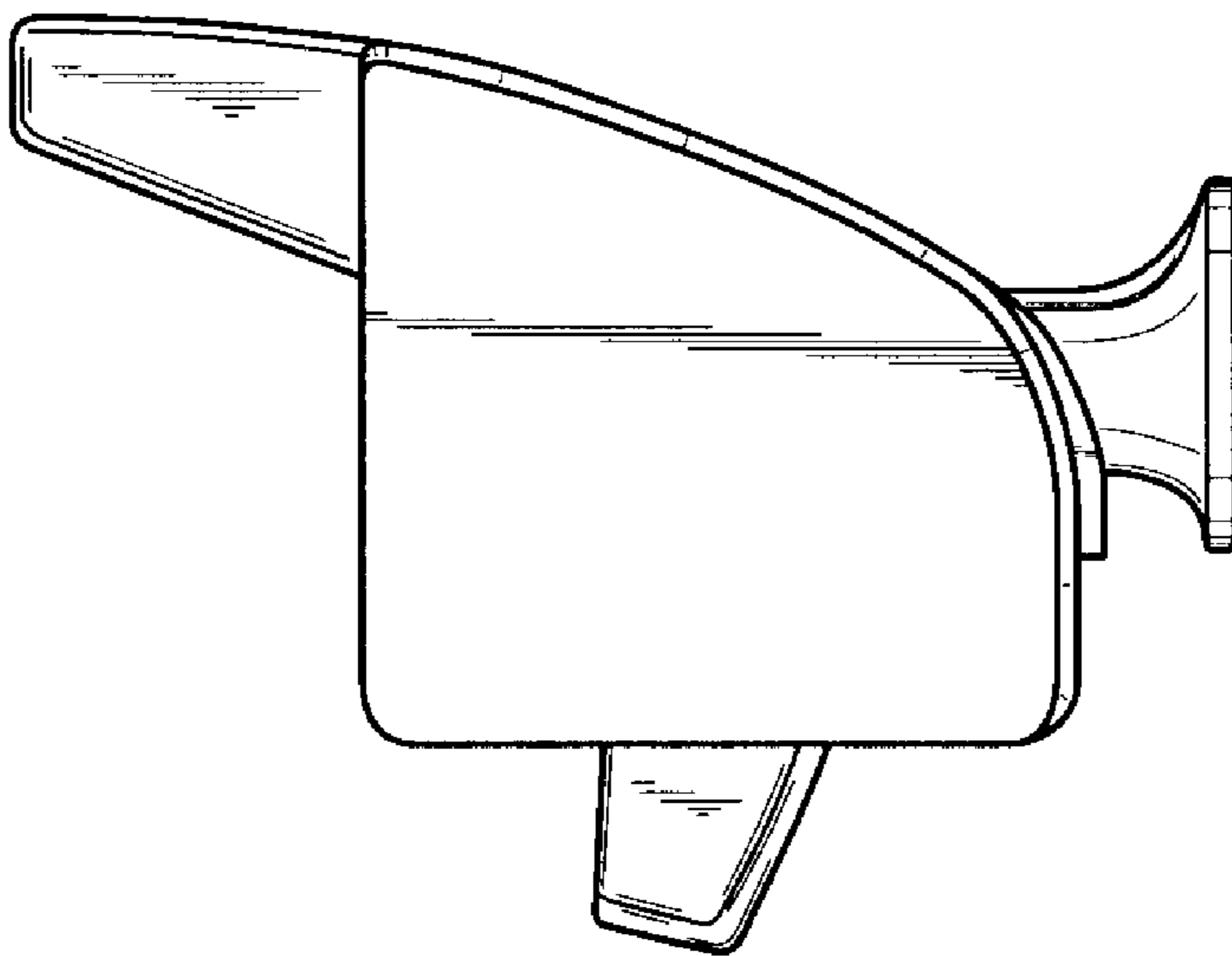


Fig. 6