



US00D530932S

(12) **United States Design Patent**  
**Hieshetter**

(10) **Patent No.:** **US D530,932 S**

(45) **Date of Patent:** **\*\* Oct. 31, 2006**

(54) **PORTABLE STYLING CHAIR**

(76) **Inventor:** **Shannon G. Hieshetter**, 13168 Old Barona Rd., Lakeside, CA (US) 92040

(\*\*) **Term:** **14 Years**

(21) **Appl. No.:** **29/224,465**

(22) **Filed:** **Mar. 3, 2005**

(51) **LOC (8) Cl.** ..... **06-01**

(52) **U.S. Cl.** ..... **D6/360**

(58) **Field of Classification Search** ..... D6/334, D6/335, 360, 364, 365, 366, 367, 373, 374, D6/380, 498, 500-502; 297/344.12, 344.18, 297/344.21, 423.1, 423.12, 423.37, 451.2; 248/183.1, 125.1

See application file for complete search history.

(56) **References Cited**

**U.S. PATENT DOCUMENTS**

693,685	A	*	2/1902	Case	.....	297/344.21
D67,674	S	*	6/1925	Rastetter	.....	D6/368
2,836,225	A		5/1958	Swenson		
3,733,620	A		5/1973	Glintz		
4,552,404	A		11/1985	Congleton		
D283,770	S	*	5/1986	Hanninen	.....	D6/498
D302,340	S		7/1989	Rasmussen et al.		
D309,382	S	*	7/1990	Buhk	.....	D6/360

D332,011	S	*	12/1992	Fahnstrom et al.	.....	D6/360
D337,216	S	*	7/1993	Boyd	.....	D6/373
5,437,495	A		8/1995	Wu		
5,524,968	A	*	6/1996	Stoltz	.....	297/344.12
5,526,539	A		6/1996	Bower et al.		
5,630,648	A		5/1997	Allard et al.		
5,816,556	A	*	10/1998	Liao	.....	297/344.18
6,086,157	A		7/2000	Toso		
6,173,928	B1	*	1/2001	Coats	.....	248/125.1
2003/0020312	A1	*	1/2003	Wang	.....	297/344.18

\* cited by examiner

*Primary Examiner*—Mimosa De

(74) *Attorney, Agent, or Firm*—Donald R. Schoonover

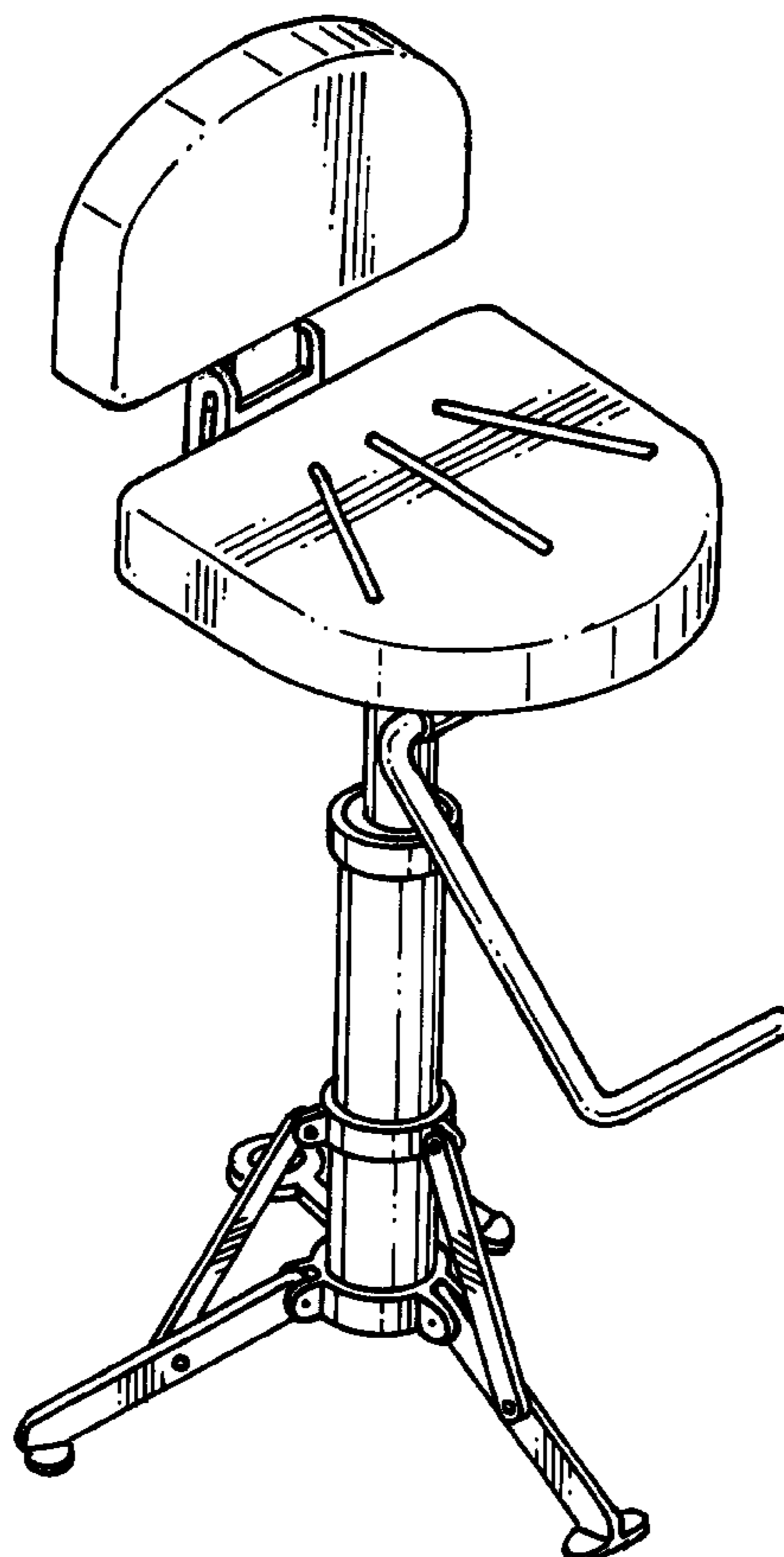
(57) **CLAIM**

I claim the ornamental design for a portable styling chair, as shown and described.

**DESCRIPTION**

FIG. 1 is a perspective view of a portable styling chair showing my new design; FIG. 2 is a front elevational view thereof; FIG. 3 is a rear elevational view thereof; FIG. 4 is a left side elevational view thereof; FIG. 5 is a right side elevational view thereof; FIG. 6 is a top plan view thereof; and, FIG. 7 is a bottom plan view thereof.

**1 Claim, 4 Drawing Sheets**



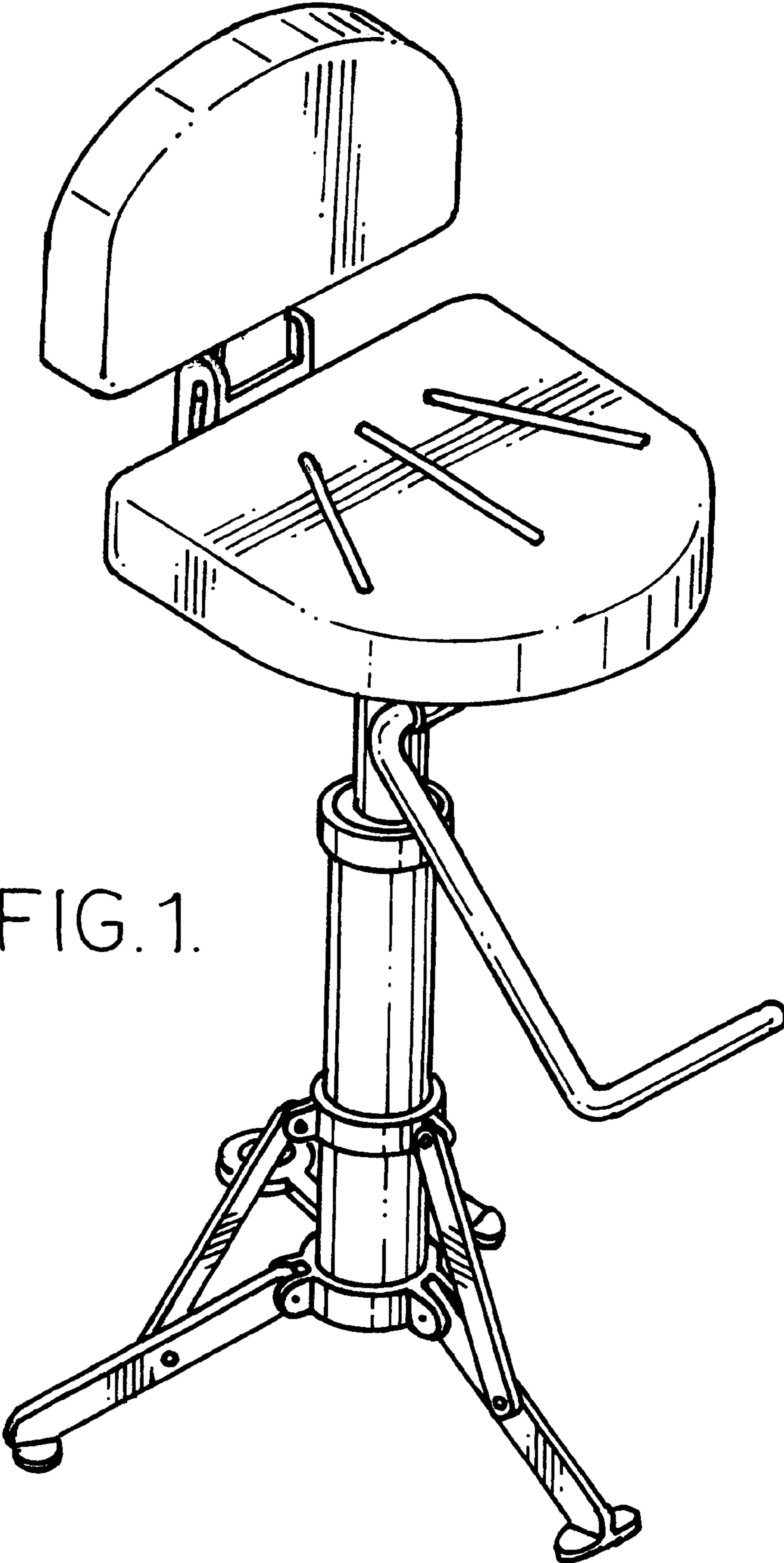


FIG. 1.

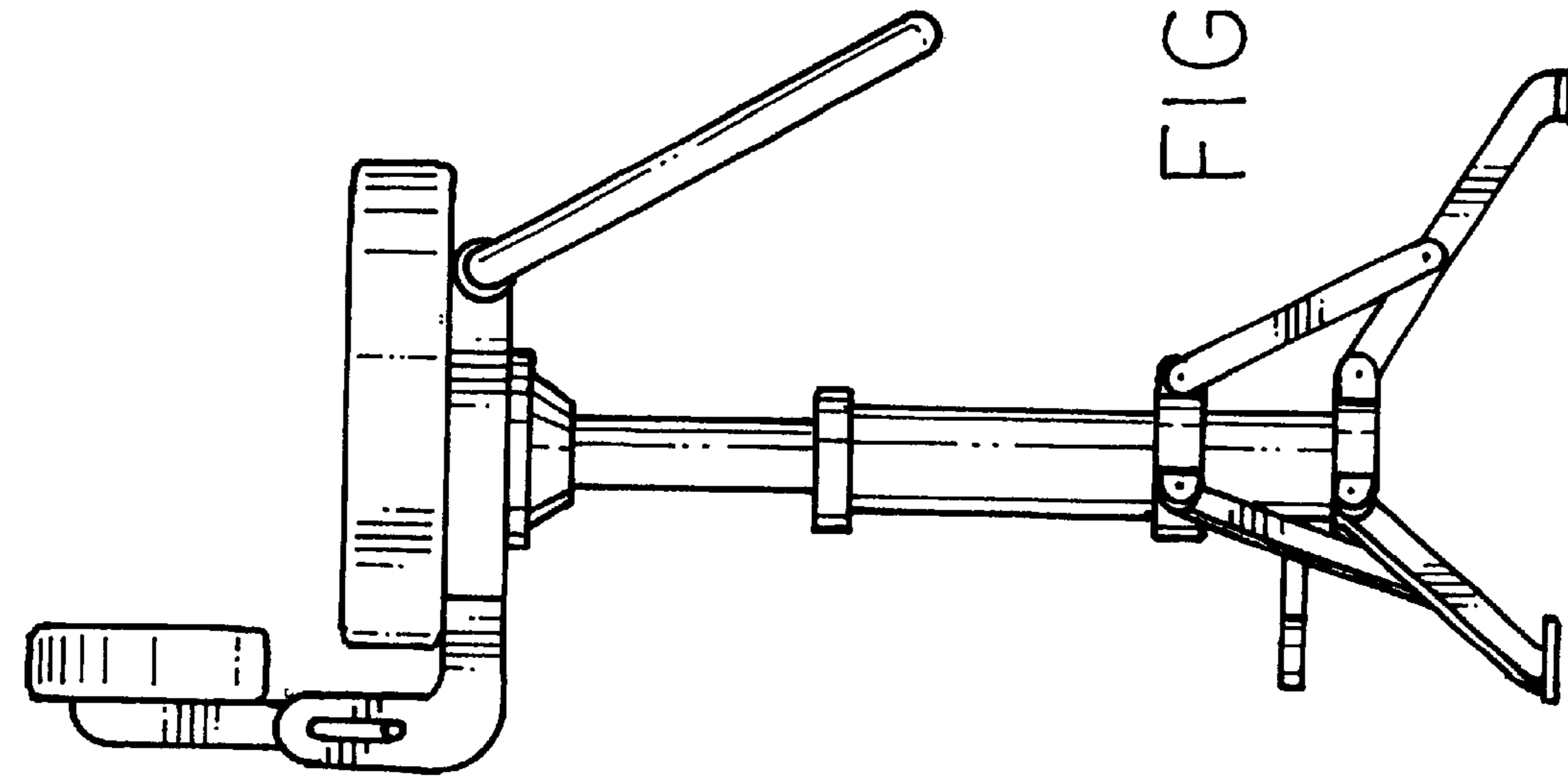


FIG. 5.

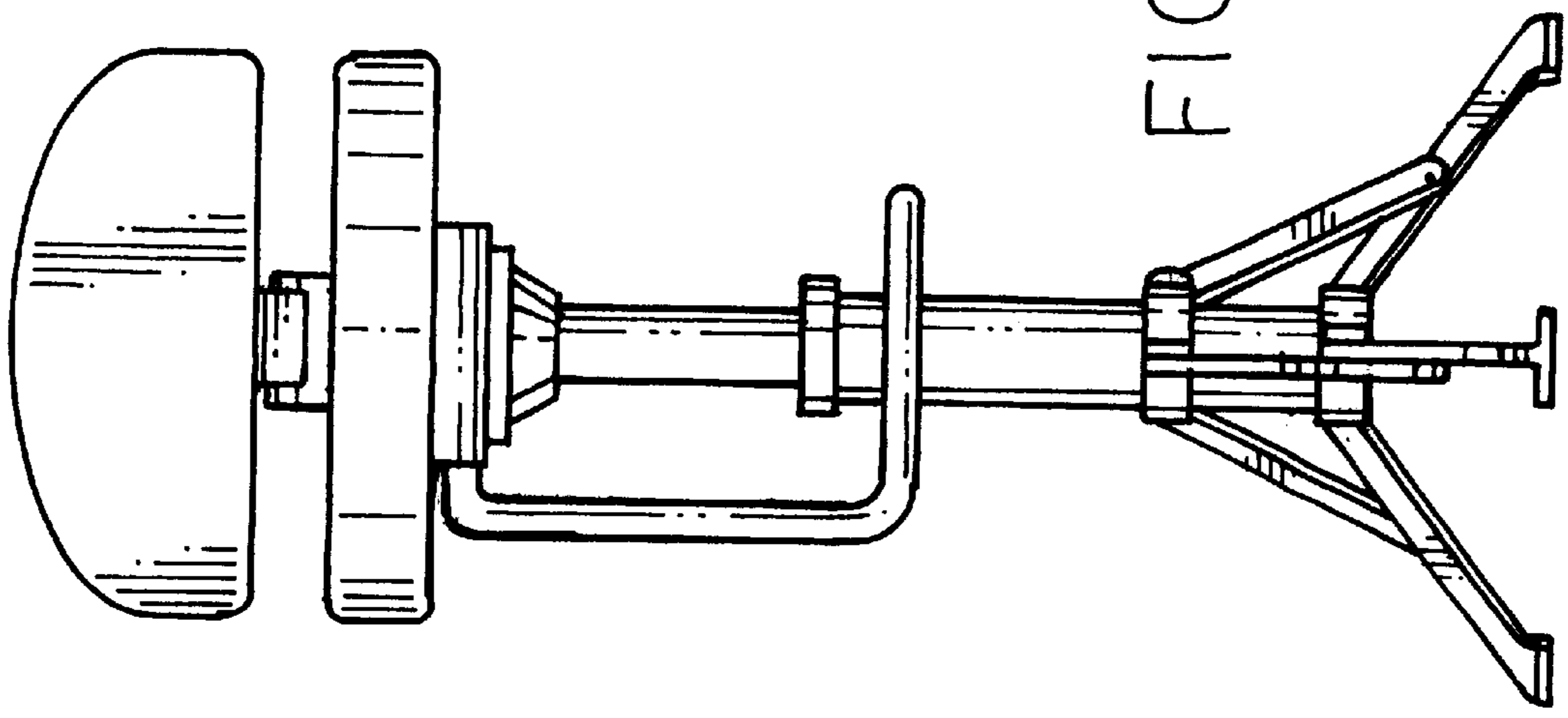


FIG. 2.

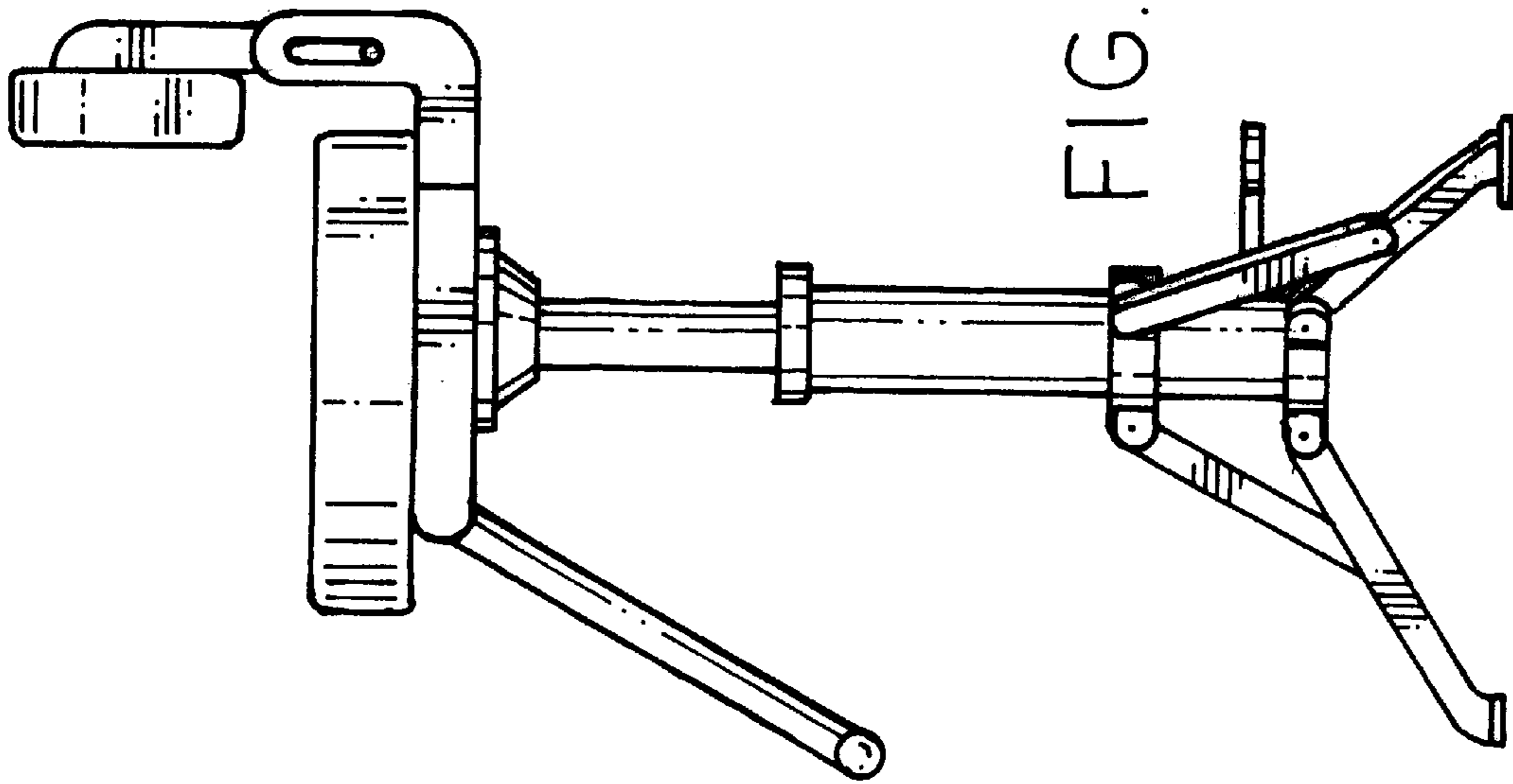


FIG. 4.

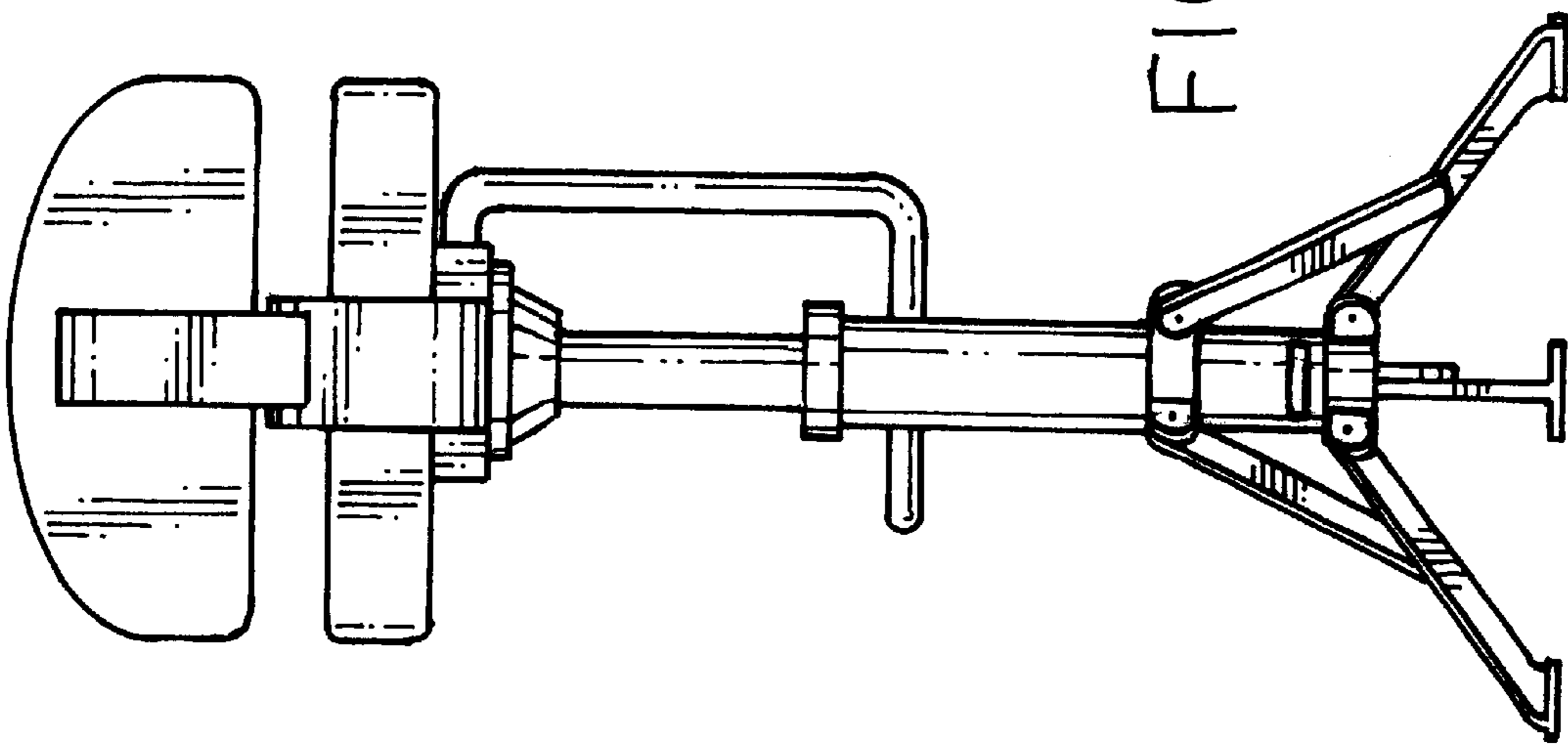


FIG. 3.

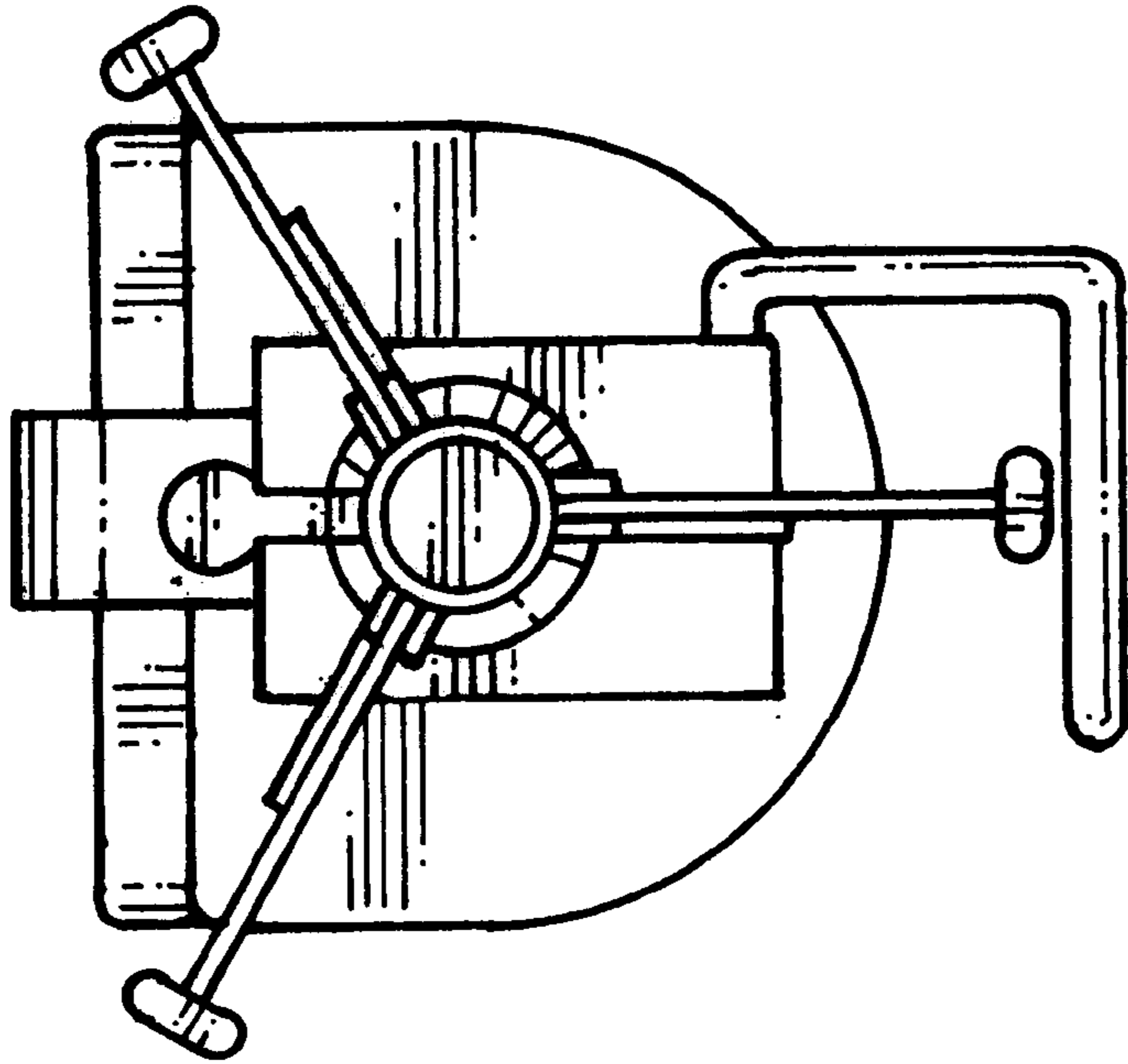


FIG. 7.

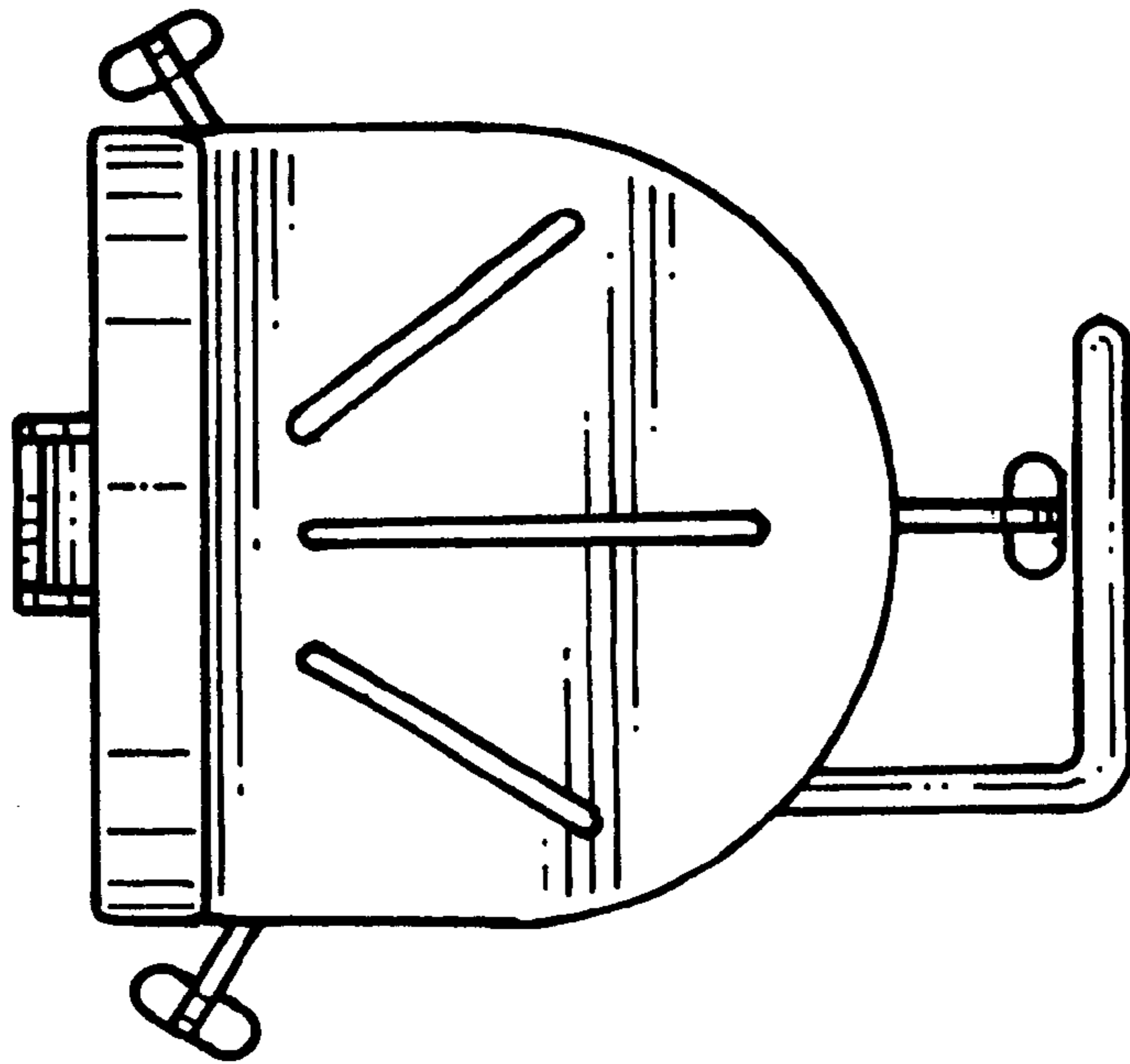


FIG. 6.