



US00D530931S

(12) **United States Design Patent**
Gilbert

(10) **Patent No.:** **US D530,931 S**

(45) **Date of Patent:** **** Oct. 31, 2006**

(54) **CHAIR**

(75) **Inventor:** **Christopher Jon Gilbert**, Moreland Hills, OH (US)

(73) **Assignee:** **Moen Incorporated**, North Olmsted, OH (US)

(**) **Term:** **14 Years**

(21) **Appl. No.:** **29/240,212**

(22) **Filed:** **Oct. 11, 2005**

(51) **LOC (8) Cl.** **06-01**

(52) **U.S. Cl.** **D6/353**

(58) **Field of Classification Search** D6/332,
D6/335-337, 340, 349, 355, 352-353, 369-370,
D6/381, 495, 499-502; 5/12.1; 108/118,
108/119, 137; 297/16.1-16.2, 451.9, 452.11,
297/452.63, 217.1, 31, 175, 423.1, 423.16,
297/461, 232

See application file for complete search history.

(56) **References Cited**

U.S. PATENT DOCUMENTS

358,528 A	3/1887	Banks	
732,249 A	6/1903	Wolpert	
774,873 A	11/1904	Fuchs	
780,006 A	* 1/1905	Mettler	297/46
780,009 A	* 1/1905	Mettler	297/46
1,197,657 A	9/1916	Orofino	
1,215,689 A	2/1917	Neff	
1,426,160 A	8/1922	Driver	
1,456,840 A	* 5/1923	Zsikay	108/118
1,543,985 A	* 6/1925	Caldwell et al.	108/29
1,557,813 A	10/1925	Derse et al.	
1,738,473 A	* 12/1929	Green	297/45
2,074,998 A	* 3/1937	Kaufman	297/48
2,151,581 A	3/1939	Bentz	
2,375,819 A	5/1945	Reid	
2,463,049 A	3/1949	Onsa	
2,649,894 A	8/1953	Simmons	
D174,212 S	3/1955	Birkerts et al.	
2,712,349 A	7/1955	Le Voir	
2,727,564 A	12/1955	Gruber	

D193,336 S	8/1962	Batie et al.	
3,071,409 A	1/1963	Gibson et al.	
3,122,397 A	* 2/1964	Mintz	297/188.13
3,136,272 A	* 6/1964	Sprigman	108/118
D203,437 S	1/1966	Melchior	
3,453,022 A	* 7/1969	Lecuyer	297/46
D221,752 S	9/1971	Brewer	
3,839,754 A	* 10/1974	Hooper	5/98.2
3,851,914 A	12/1974	Nii	
D245,821 S	9/1977	Piper et al.	
4,103,965 A	8/1978	Engman	
D251,639 S	4/1979	Colby	
D252,426 S	7/1979	Brelsford	
4,258,951 A	3/1981	Groom	
4,328,992 A	5/1982	Ohanian	
D277,813 S	3/1985	Grady	
4,544,203 A	* 10/1985	Younger et al.	297/391
4,595,232 A	* 6/1986	Glenn et al.	297/17
4,605,261 A	8/1986	Lee	
D287,083 S	12/1986	Macedonio	
4,671,566 A	6/1987	Knapp et al.	
D294,901 S	3/1988	Partin	

(Continued)

Primary Examiner—Sandra S. Snapp

(74) *Attorney, Agent, or Firm*—Calfee, Halter & Griswold LLP

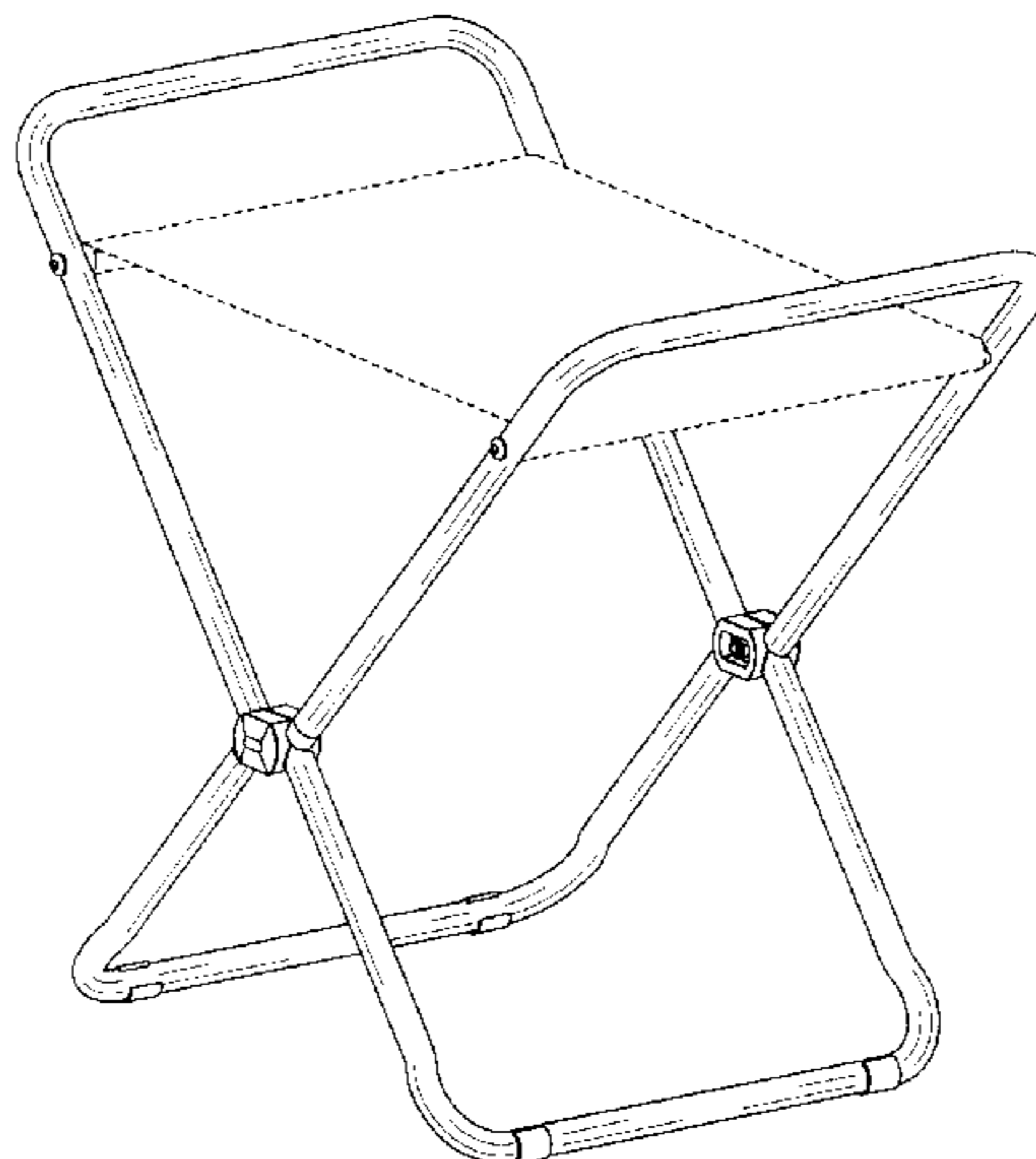
(57) **CLAIM**

The ornamental design for a chair, as shown and described.

DESCRIPTION

FIG. 1 is a perspective view of a chair of the new design; FIG. 2 is a front elevational view of the chair of FIG. 1; FIG. 3 is a right side elevational view of the chair of FIG. 1; FIG. 4 is a top plan view of the chair of FIG. 1; and, FIG. 5 is a bottom plan view of the chair of FIG. 1. The portions of the Figures shown in broken lines are not part of the claimed design but are for illustration only. The rear elevational view is identical to that shown in FIG. 2 and the left side elevational view is identical as that shown in FIG. 3.

1 Claim, 2 Drawing Sheets



US D530,931 S

Page 2

U.S. PATENT DOCUMENTS

4,824,167	A	*	4/1989	King	297/129	D438,719	S	*	3/2001	Ford, Jr.	D6/336
4,922,558	A		5/1990	Porco			6,195,813	B1		3/2001	Orcini		
5,044,690	A		9/1991	Torrey			6,485,095	B1		11/2002	Haubeil		
5,146,635	A		9/1992	Gastle et al.			6,547,324	B1	*	4/2003	Ammann, Jr.	297/129
5,185,892	A		2/1993	Mitchell			6,591,778	B1		7/2003	Alderman		
D343,959	S	*	2/1994	Wolf	D6/335	6,647,560	B1	*	11/2003	Hingley et al.	4/484
D364,745	S		12/1995	Rettenberger			6,669,280	B1	*	12/2003	Wegner	297/16.2
5,496,094	A		3/1996	Schwartzkopf et al.			6,889,393	B1	*	5/2005	Rinaldo	4/484
5,709,428	A	*	1/1998	Hughhins	297/16.2	2002/0145311	A1		10/2002	Haubeil		
D398,785	S		9/1998	Pogue et al.			2003/0011233	A1		1/2003	Liu		
5,848,822	A		12/1998	Wu			2005/0028267	A1		2/2005	Chao		
5,975,626	A		11/1999	Aycock			2005/0082884	A1		4/2005	Yao		
6,000,752	A	*	12/1999	Shyr	297/188.08							

* cited by examiner

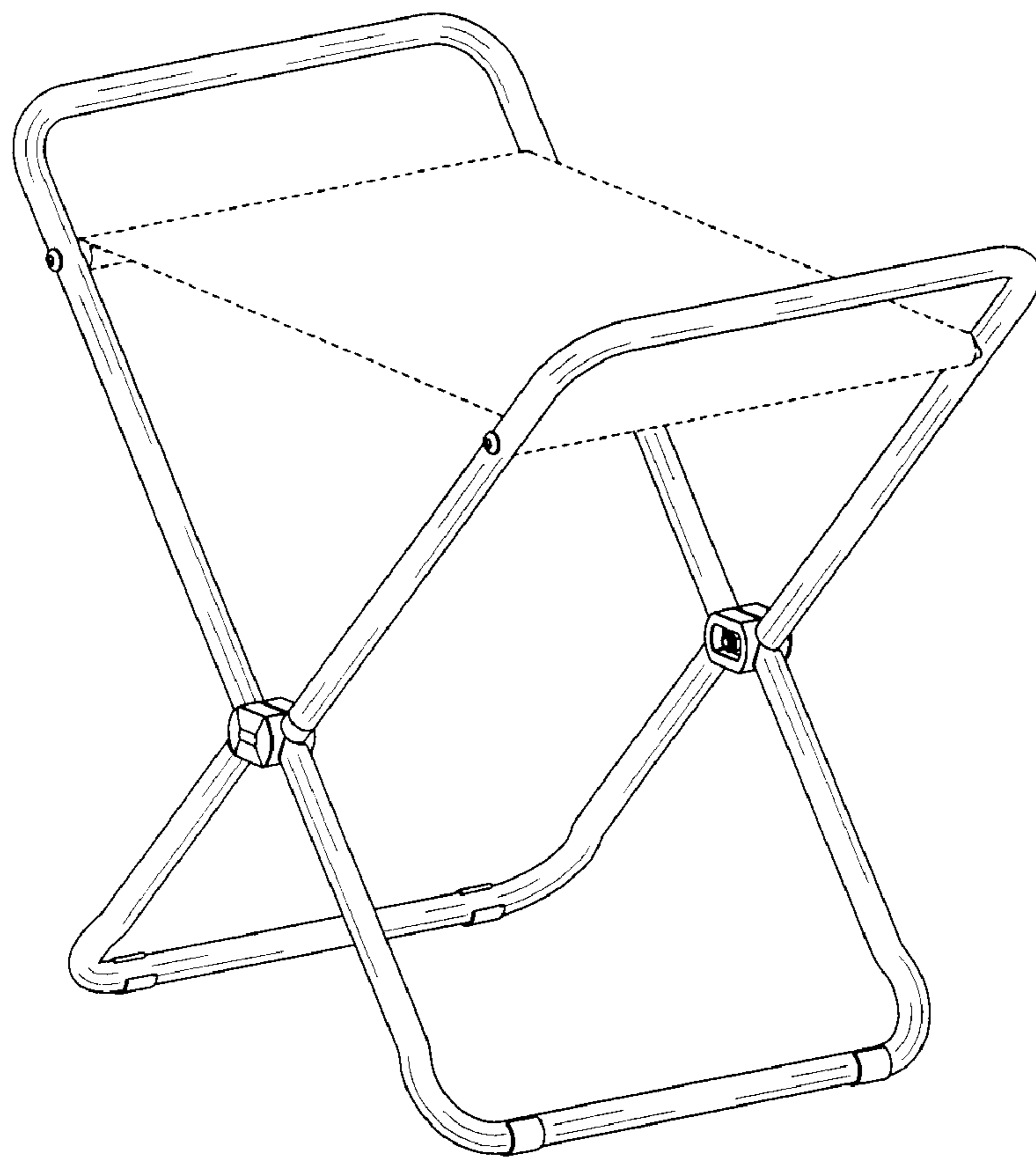


FIG. 1

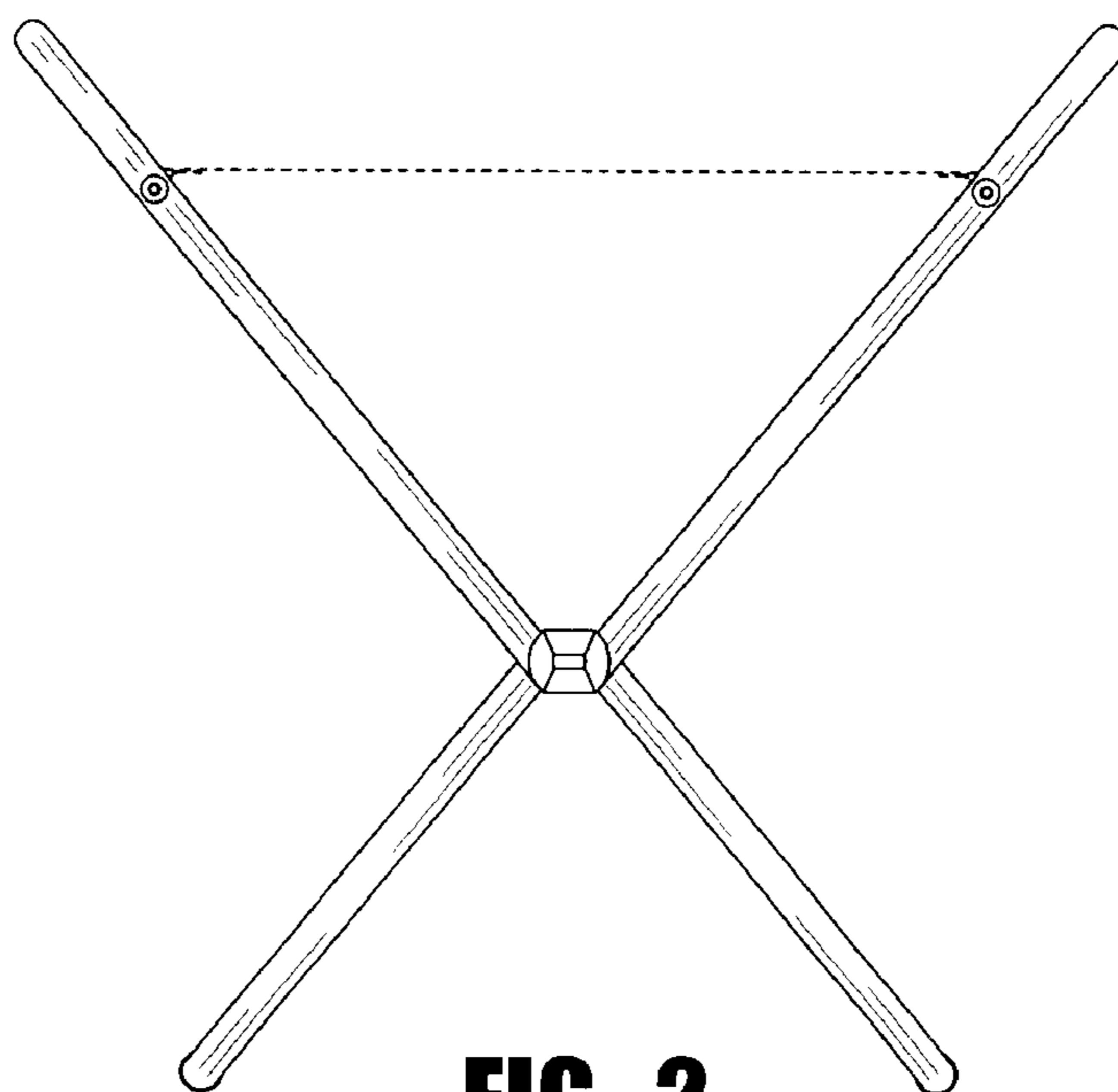


FIG. 2

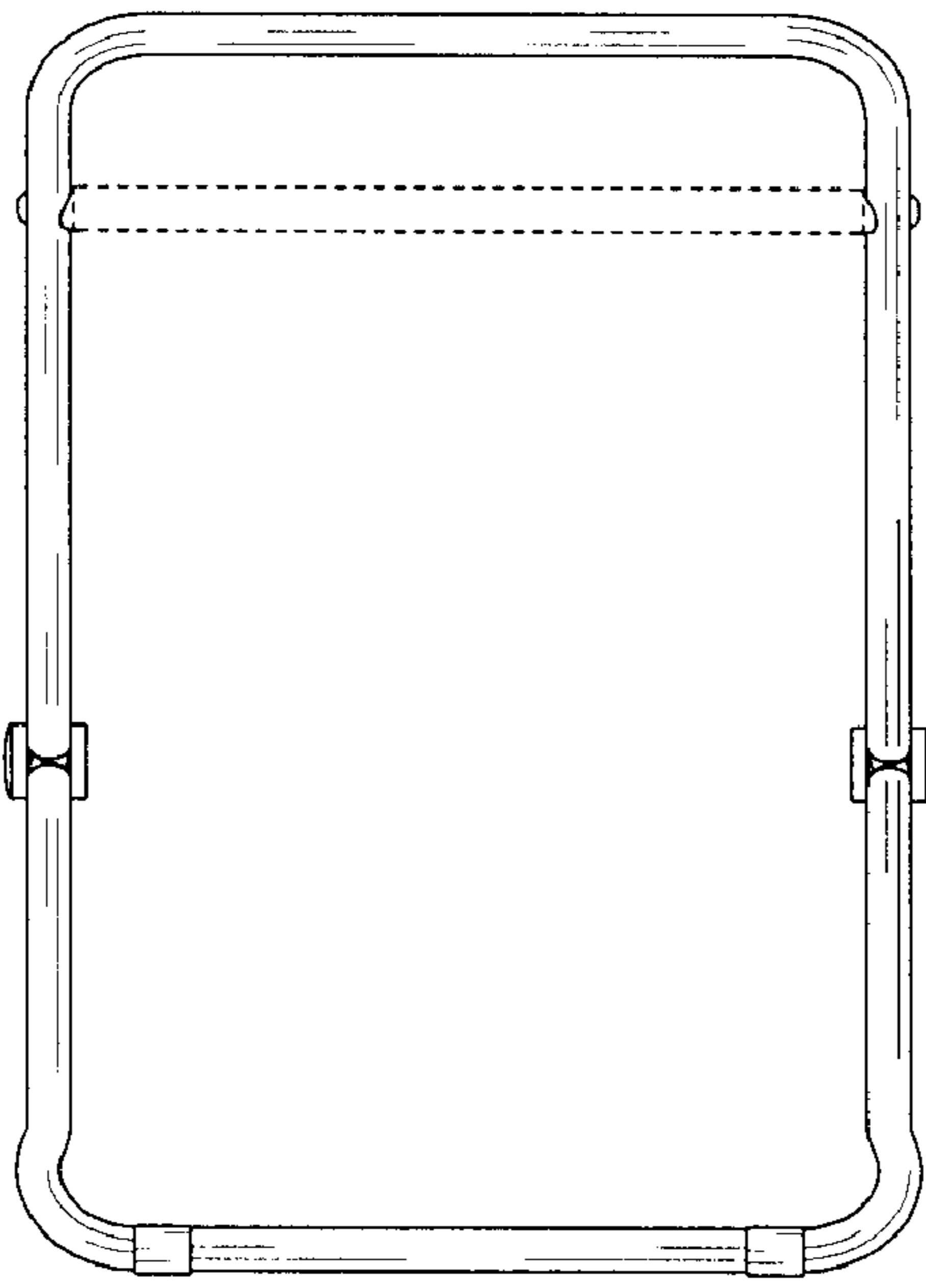


FIG. 3

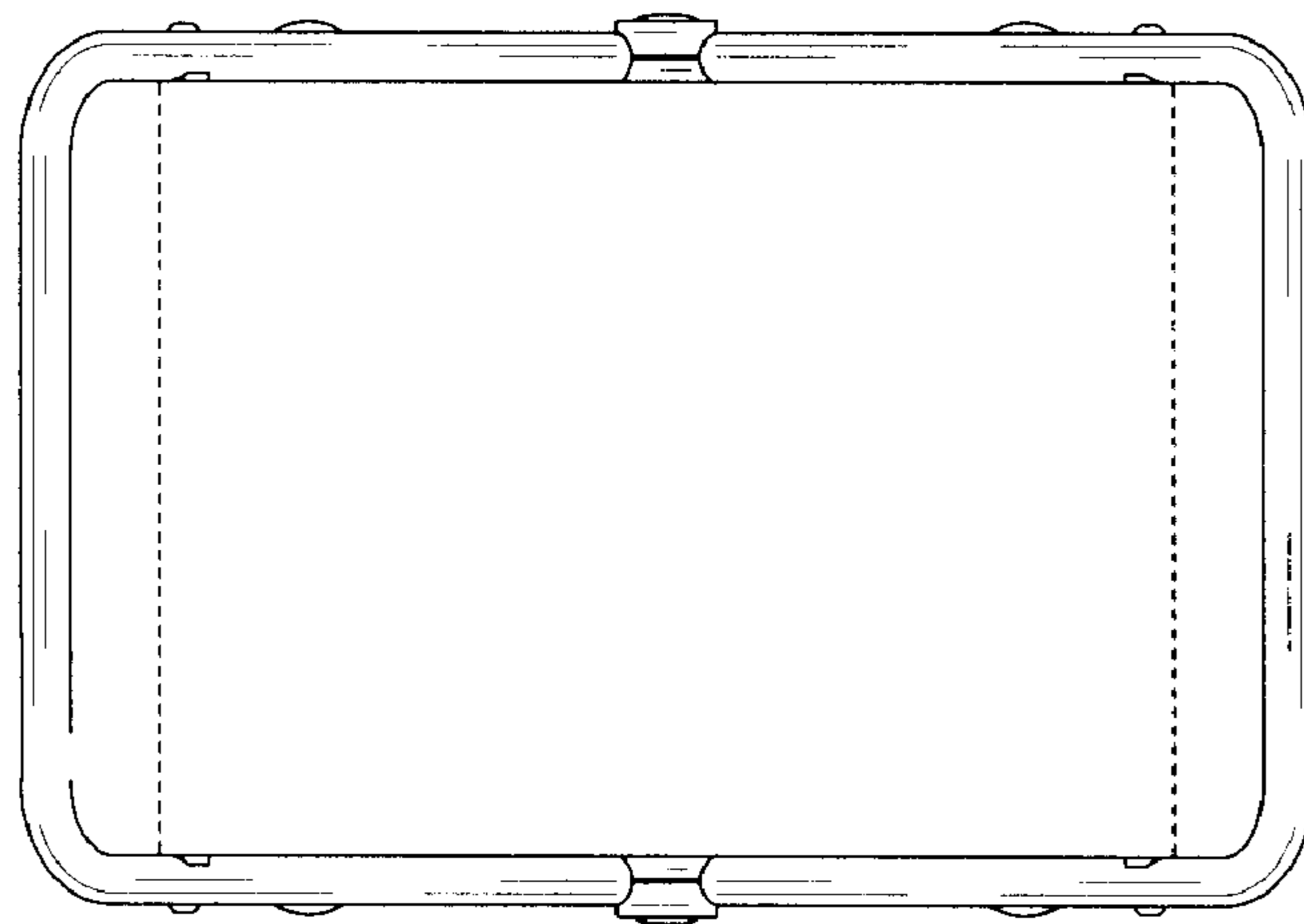


FIG. 4

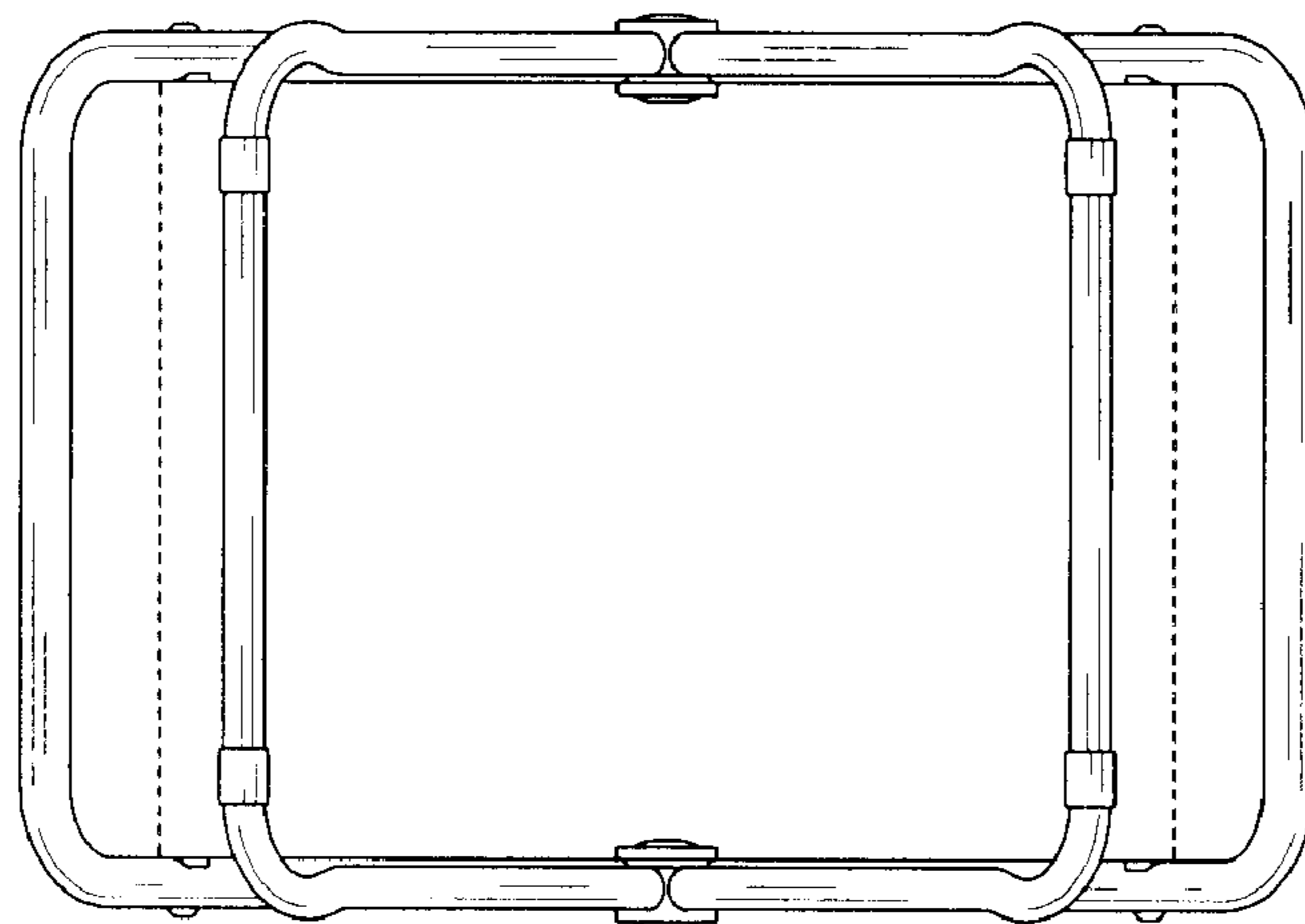


FIG. 5