



US00D530928S

(12) **United States Design Patent**
Bowers

(10) **Patent No.:** **US D530,928 S**

(45) **Date of Patent:** **** Oct. 31, 2006**

(54) **CLOTHING HANGER**

D504,577 S * 5/2005 Mann D6/319
D507,705 S * 7/2005 Abdi et al. D6/319

(76) Inventor: **Dawn A. Bowers**, 903 Halcyon Cir.,
Greer, SC (US) 29650

* cited by examiner

(**) Term: **14 Years**

Primary Examiner—Nanda Bondade

Assistant Examiner—Shanda C. Hill

(21) Appl. No.: **29/251,870**

(74) *Attorney, Agent, or Firm*—Rankin, Hill, Porter &
Clark LLP

(22) Filed: **Jan. 13, 2006**

(57) **CLAIM**

(51) **LOC (8) Cl.** **06-08**

The ornamental design for a clothing hanger, as shown and
described.

(52) **U.S. Cl.** **D6/326**

(58) **Field of Classification Search** D6/315,
D6/317, 318, 319, 323, 326, 328; 223/85–98,
223/DIG. 2; 211/13.1, 85.3; D8/394, 395;
24/455

DESCRIPTION

See application file for complete search history.

FIG. 1 is a perspective view of a clothing hanger showing
my new design;

FIG. 2 is a front view thereof;

FIG. 3 is a right side view thereof;

FIG. 4 is a top view thereof;

FIG. 5 is a rear view thereof;

FIG. 6 is a left side view thereof; and,

FIG. 7 is a bottom view thereof.

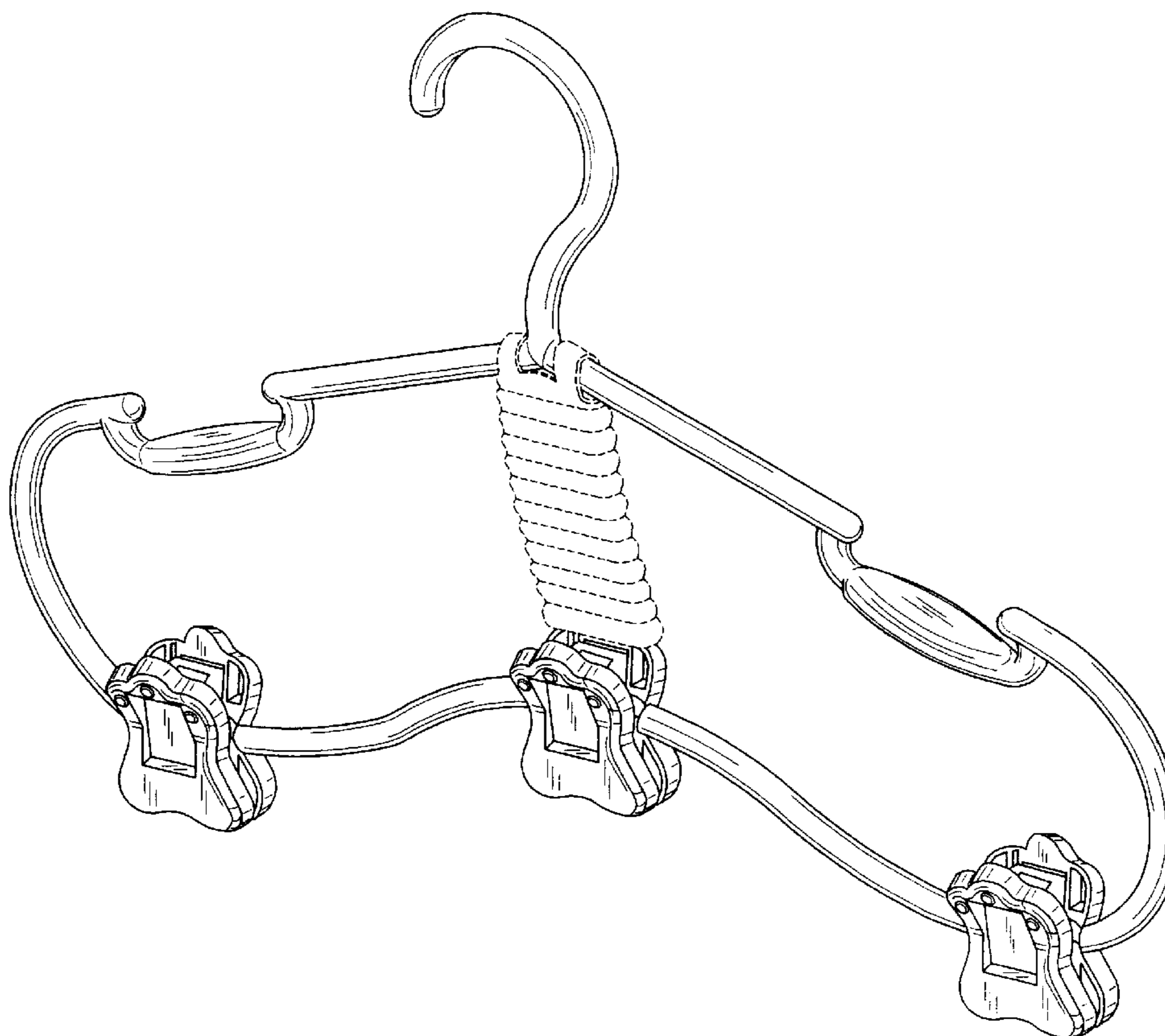
The broken lines shown in the drawing disclosure are for
illustrative purposes only and form no part of the claimed
design.

(56) **References Cited**

U.S. PATENT DOCUMENTS

D140,337 S	*	2/1945	Hill	D6/319
D265,156 S	*	6/1982	Bisk et al.	D6/317
4,382,531 A	*	5/1983	Bisk et al.	223/91
5,381,938 A	*	1/1995	Vasudeva	223/85
D419,310 S	*	1/2000	Abdi	D6/317
D498,933 S	*	11/2004	Abdi	D6/317
D500,603 S	*	1/2005	Lambert	D6/326
D502,006 S	*	2/2005	Abdi	D6/317

1 Claim, 3 Drawing Sheets



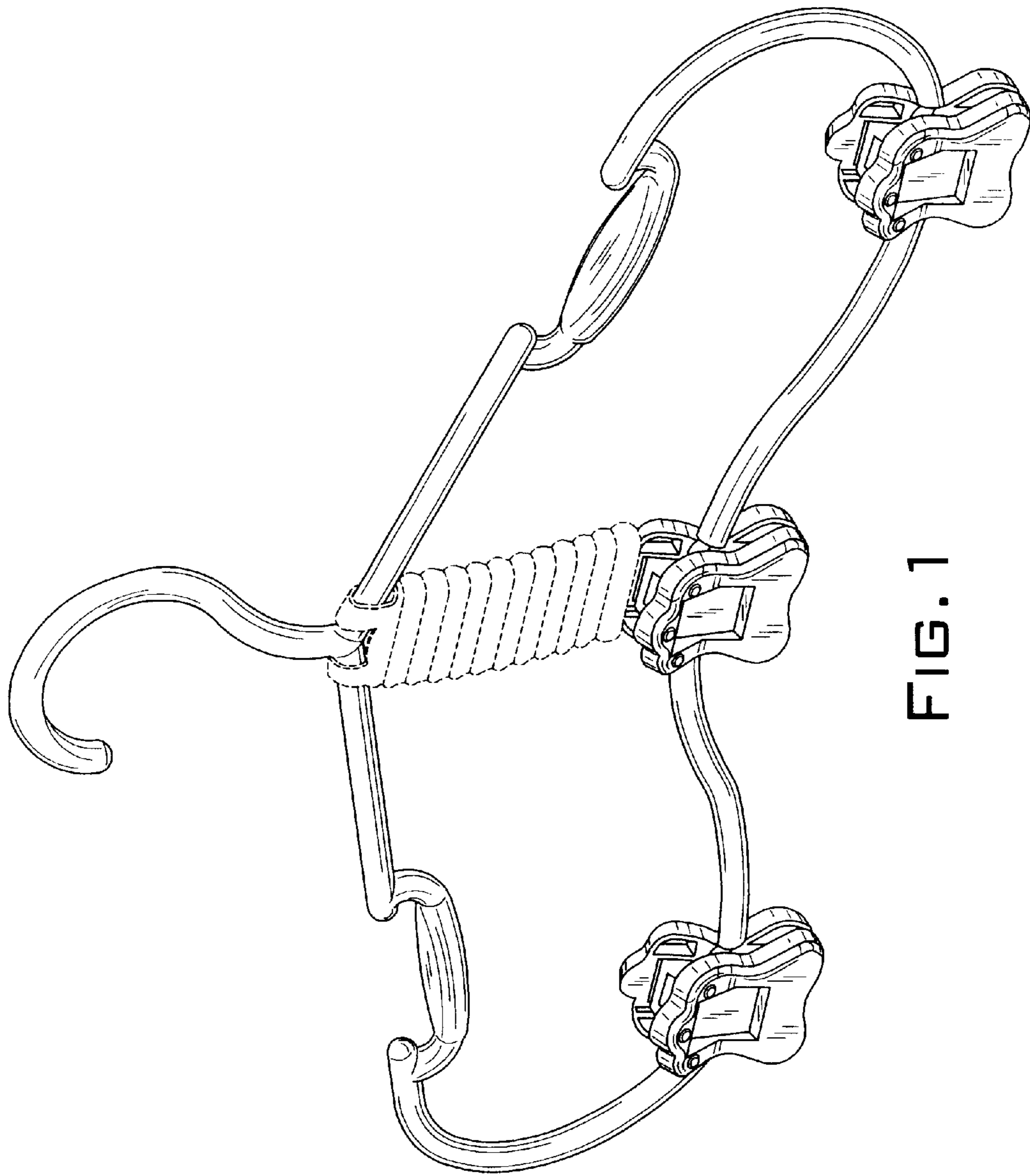


FIG. 1

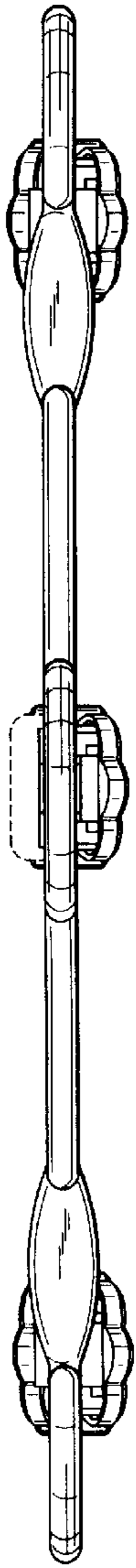


FIG. 4

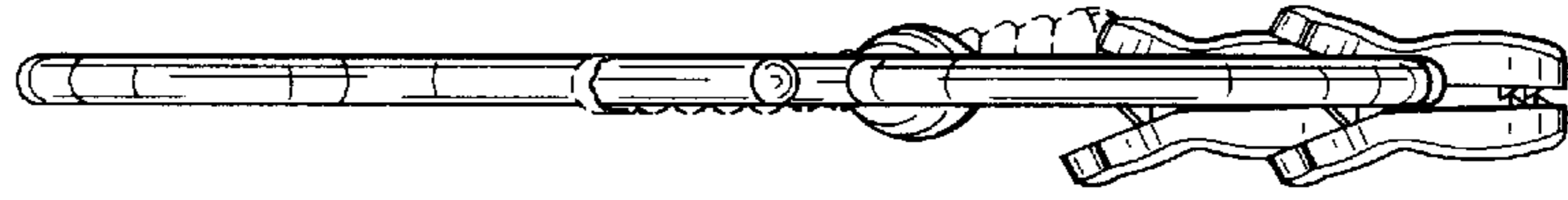


FIG. 3

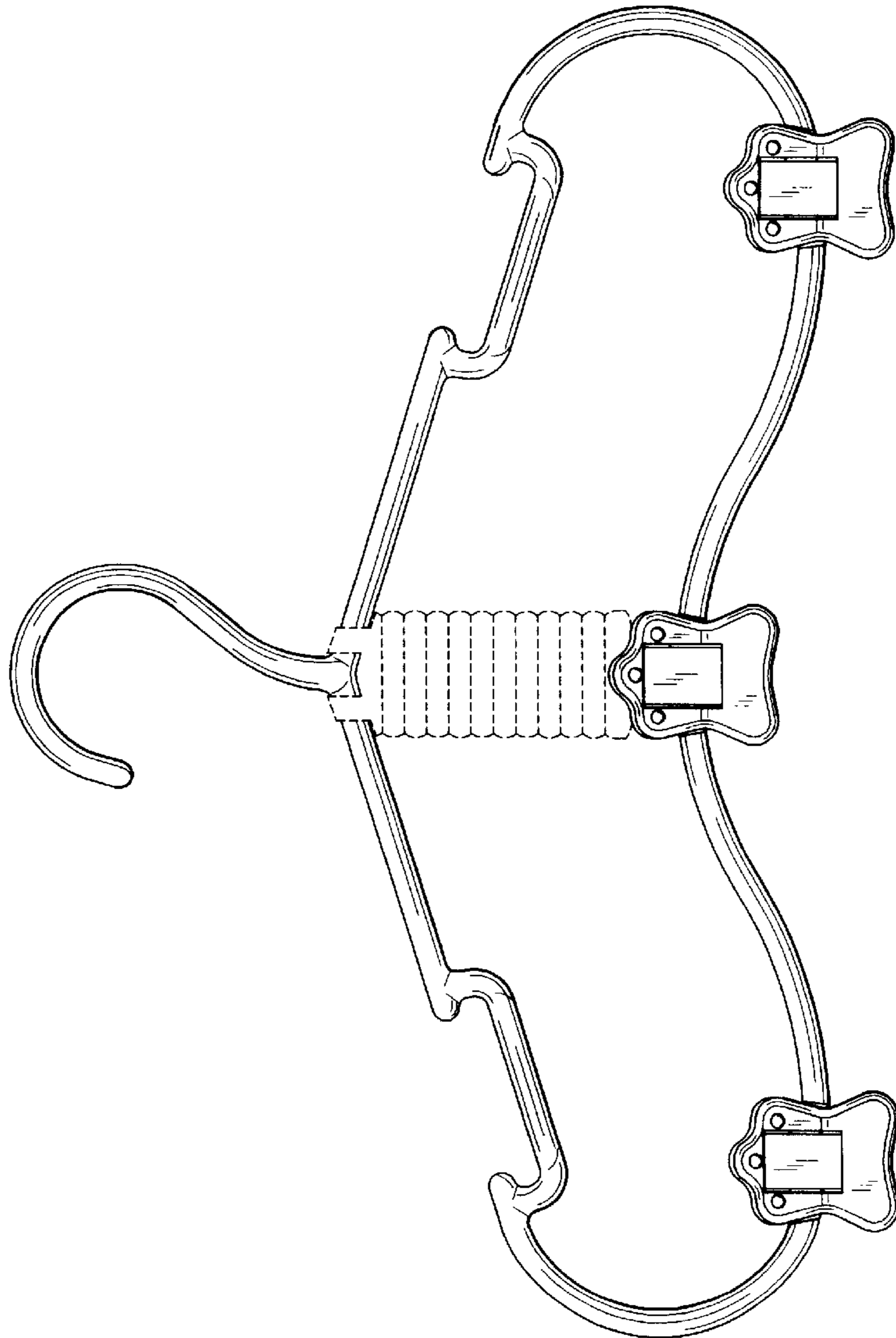


FIG. 2

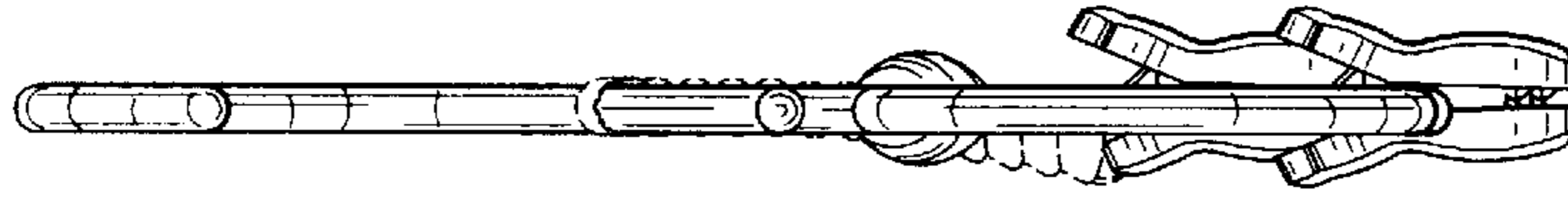


FIG. 6

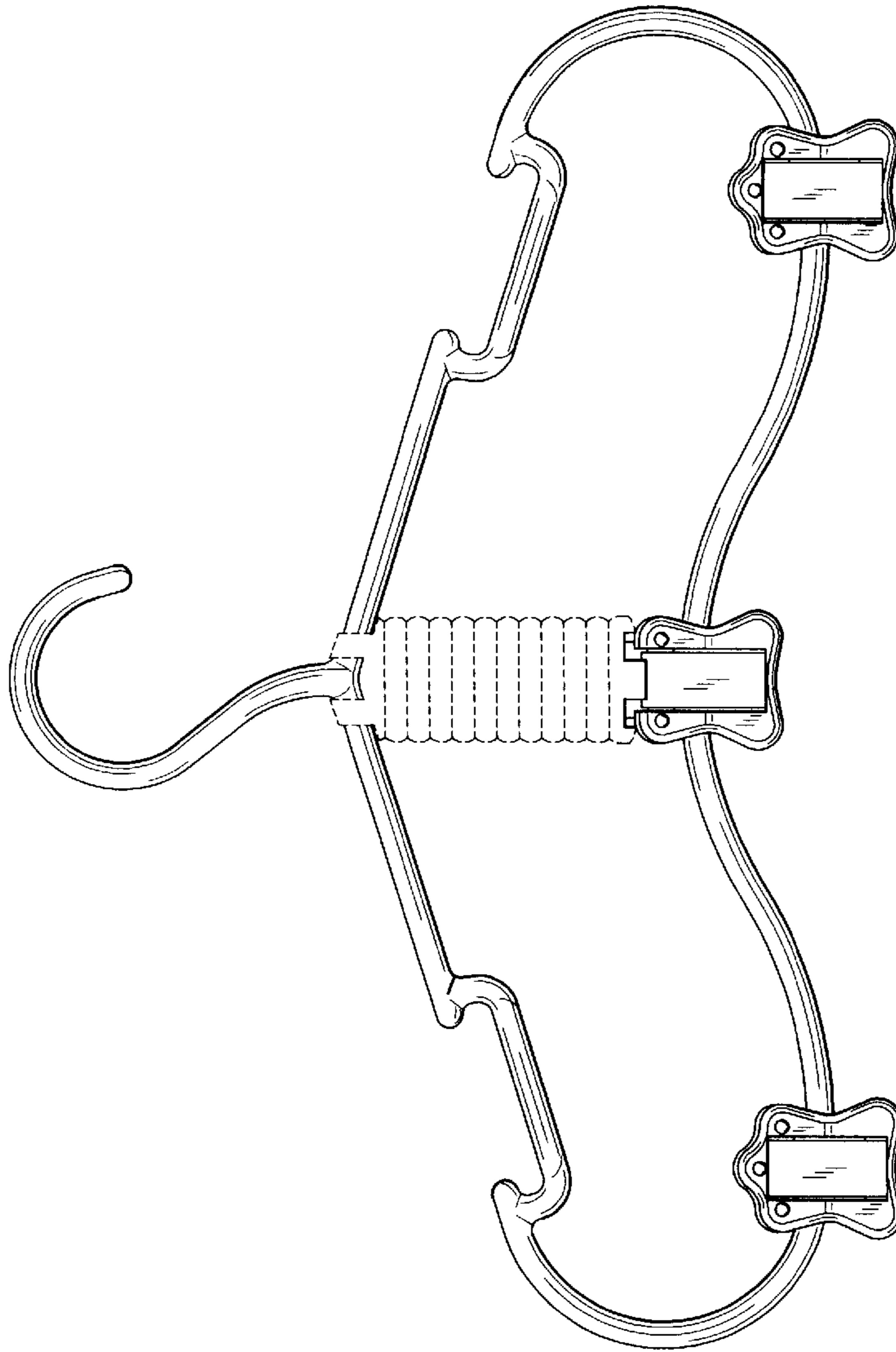


FIG. 5

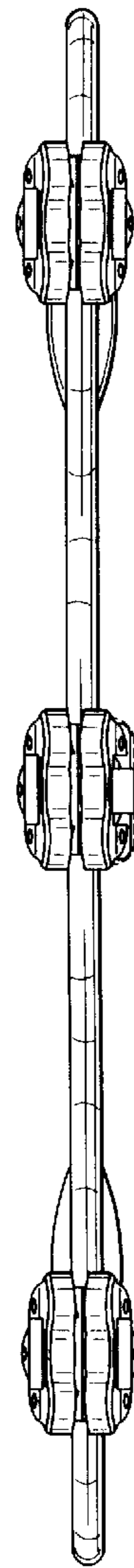


FIG. 7