



US00D530926S

(12) **United States Design Patent**
Sellers

(10) **Patent No.:** **US D530,926 S**

(45) **Date of Patent:** **** Oct. 31, 2006**

(54) **CARD HOLDER**

(76) **Inventor:** **Mary Jean Sellers**, 205 Sunset Dr.,
#84, Sedona, AZ (US) 86336

(**) **Term:** **14 Years**

(21) **Appl. No.:** **29/242,379**

(22) **Filed:** **Nov. 9, 2005**

(51) **LOC (8) Cl.** **06-07**

(52) **U.S. Cl.** **D6/300**

(58) **Field of Classification Search** D6/300-314;
40/700, 711, 714, 715, 716, 717, 720, 722,
40/725, 735, 765, 766, 728, 780, 790, 798,
40/800, 200-203, 207-216; D19/65, 90,
D19/91, 99, 35, 36, 52; D20/39-42
See application file for complete search history.

(56) **References Cited**

U.S. PATENT DOCUMENTS

- 3,379,402 A * 4/1968 Trammell, Jr. 248/488
- D243,378 S * 2/1977 Tharp D6/300
- D268,424 S * 3/1983 Shuman D20/40
- D270,061 S * 8/1983 Ackeret D6/308
- D274,065 S * 5/1984 Goutchat D19/78
- 4,768,299 A * 9/1988 Ackeret 40/513
- 4,777,750 A * 10/1988 Garfinkle 40/607.04
- D298,489 S * 11/1988 Sornborger D6/300
- D300,642 S * 4/1989 Pawlik et al. D20/10
- 4,947,989 A * 8/1990 Horton 206/387.1
- D327,710 S * 7/1992 Hofman D20/40
- D348,486 S * 7/1994 Fischtein et al. D20/40
- D354,087 S * 1/1995 Dunlap et al. D20/42
- D356,832 S * 3/1995 Maxwell-Trumble et al. ... D20/
22
- D361,552 S * 8/1995 Iino D14/341

- 5,566,030 A * 10/1996 Yue 359/872
- D378,998 S * 4/1997 Lake D12/193
- D384,628 S * 10/1997 Lake D12/193
- D397,073 S * 8/1998 Kui D12/191
- D412,307 S * 7/1999 Hartmann et al. D12/193
- D415,987 S * 11/1999 Romero D12/193
- 6,233,858 B1 * 5/2001 Brach et al. 40/660
- 6,240,667 B1 * 6/2001 Harney et al. 40/649
- D489,031 S * 4/2004 Leibman D12/193
- D490,113 S * 5/2004 Nykoluk D20/27
- D496,068 S * 9/2004 Mandel D19/36
- D500,090 S * 12/2004 Chen et al. D20/42
- D501,185 S * 1/2005 Sato et al. D14/126
- D503,542 S * 4/2005 Chen et al. D6/300
- D507,302 S * 7/2005 Chen et al. D19/52
- 2004/0237359 A1 * 12/2004 Lee 40/124.03

* cited by examiner

Primary Examiner—Janice E. Seeger

Assistant Examiner—Sydney R. Buffalow

(74) *Attorney, Agent, or Firm*—Cahill, von Hellens &
Glazer P.L.C.

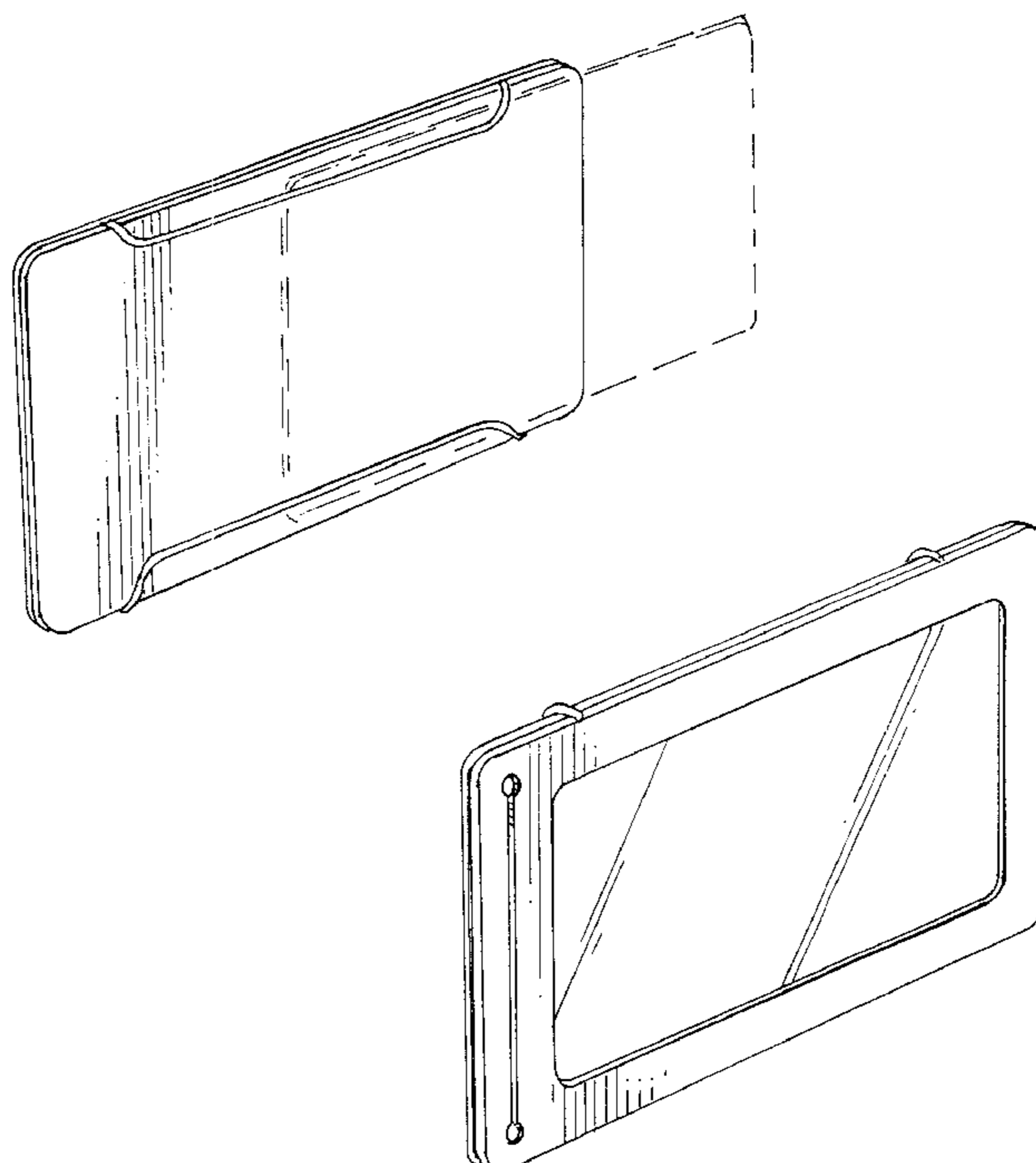
(57) **CLAIM**

The ornamental design for a card holder, as shown and described.

DESCRIPTION

FIG. 1 is an isometric view from the front, left and top of a card holder showing my new design, the broken lines depicting a card partially inserted form no part of my design; FIG. 2 is an isometric view taken from the rear, left and top thereof; and, FIG. 3 is a right elevational view thereof, the left elevational view being a mirror image.

1 Claim, 1 Drawing Sheet



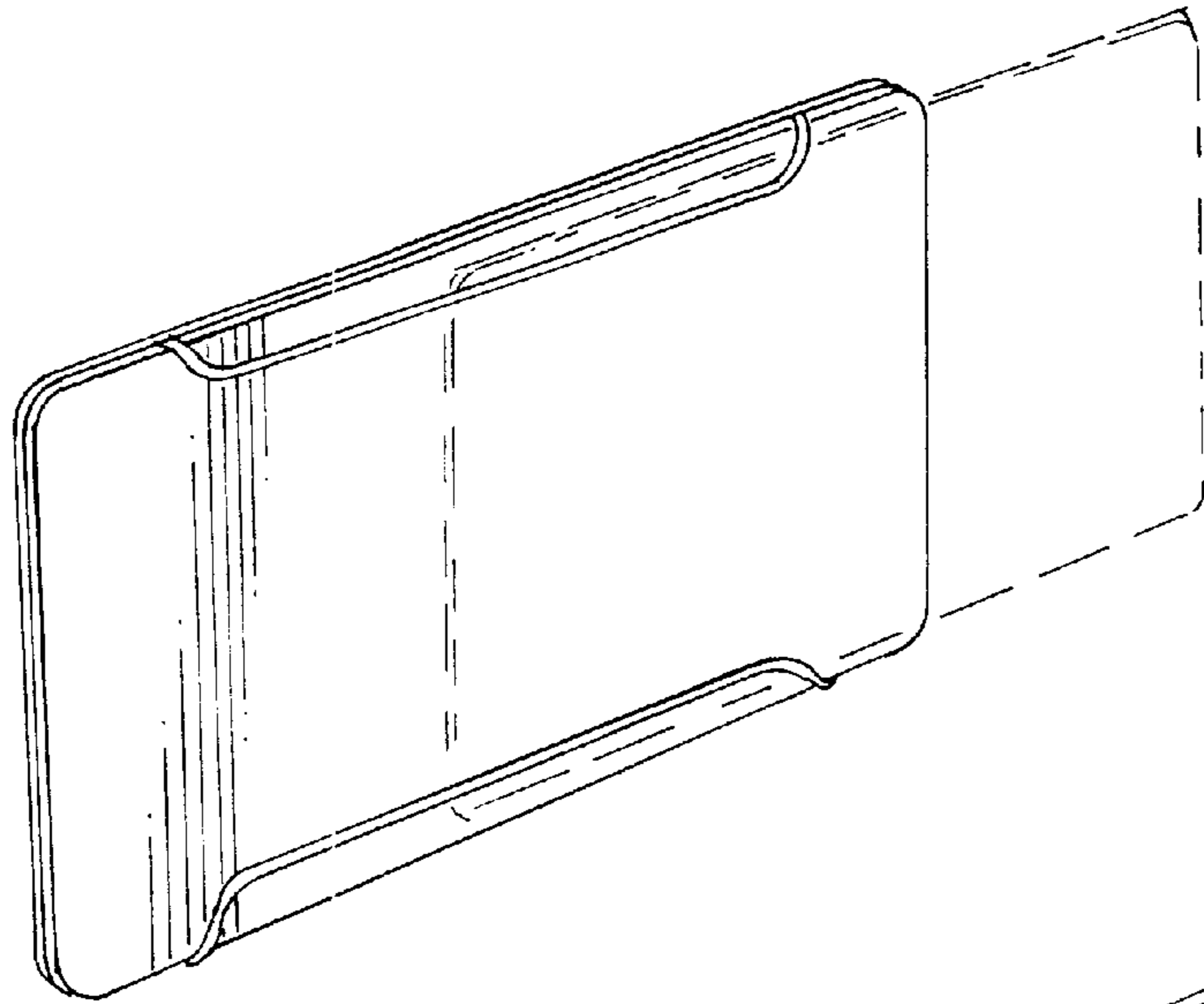


FIG. 1

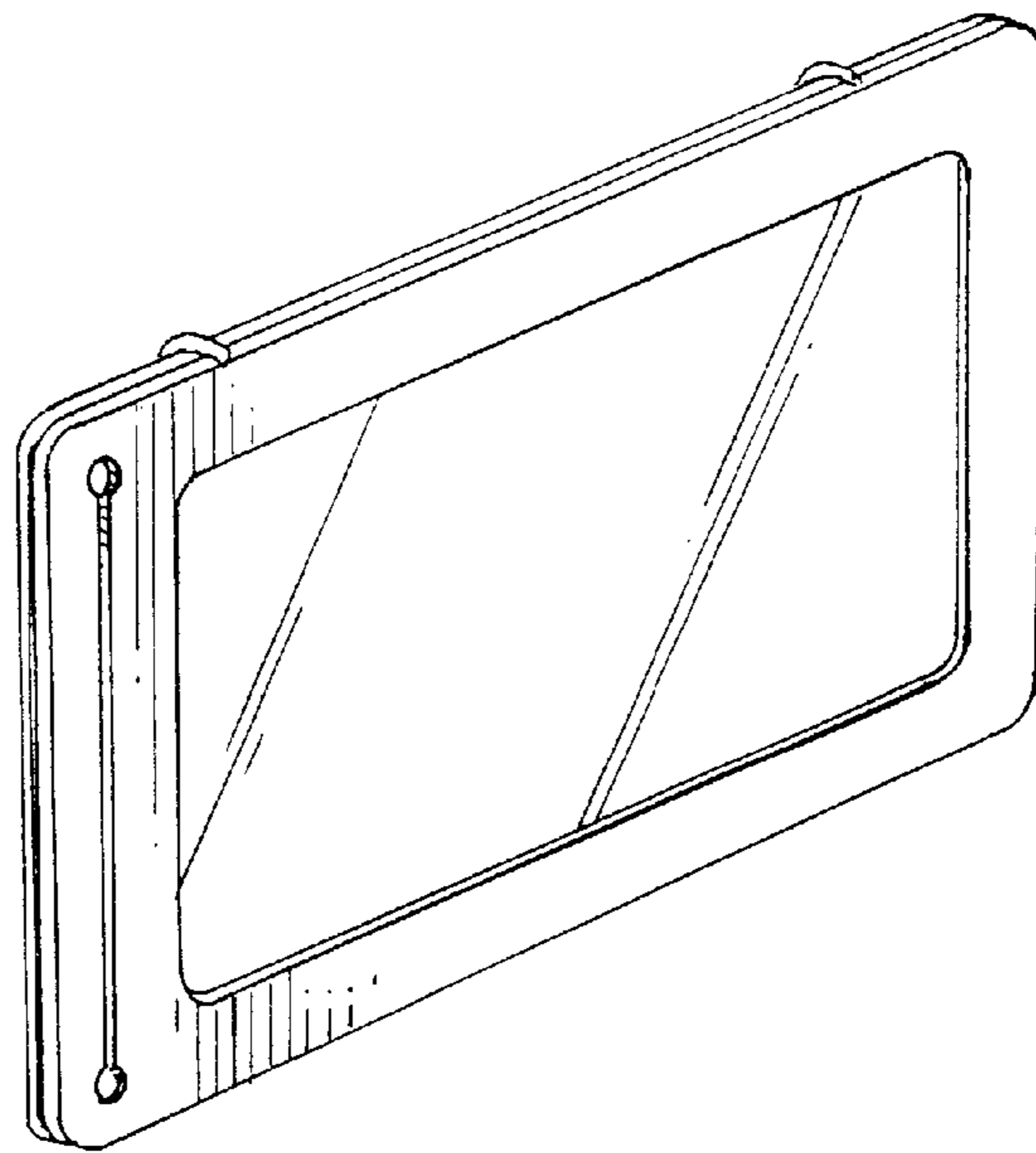


FIG. 2



FIG. 3