



US00D530922S

(12) **United States Design Patent**
Anderson

(10) **Patent No.:** **US D530,922 S**

(45) **Date of Patent:** **** Oct. 31, 2006**

(54) **GOLF BAG DIVIDER TOP**

6,357,585 B1 * 3/2002 Shin 150/160

6,726,009 B1 4/2004 Larson

D515,316 S * 2/2006 Chang D3/320

(75) Inventor: **Douglas W. Anderson**, Phoenix, AZ
(US)

* cited by examiner

(73) Assignee: **Karsten Manufacturing Corporation**,
Phoenix, AZ (US)

Primary Examiner—Louis S. Zarfes

Assistant Examiner—Monica A. Weingart

(**) Term: **14 Years**

(74) *Attorney, Agent, or Firm*—Darrell F. Marquette

(21) Appl. No.: **29/235,068**

(57) **CLAIM**

(22) Filed: **Jul. 26, 2005**

The ornamental design for a golf bag divider top, as shown and described.

(51) **LOC (8) Cl.** **03-01**

(52) **U.S. Cl.** **D3/320**

(58) **Field of Classification Search** D3/254,
D3/255, 318, 320, 328, 328.1; 150/159, 160;
206/315.2, 315.3, 315.4, 315.8; 211/70.2;
383/87; 280/DIG. 6

See application file for complete search history.

DESCRIPTION

FIG. 1 is a perspective view of a golf bag divider top showing my new design;

FIG. 2 is a top view of the golf bag divider top shown in FIG. 1;

FIG. 3 is a front elevational view of the golf bag divider top shown in FIG. 1.

FIG. 4 is a rear elevational view of the golf bag divider top shown in FIG. 1;

FIG. 5 is a bottom view of the golf bag divider top shown in FIG. 1;

FIG. 6 is a side elevational view of the golf bag divider top taken from the left in FIG. 2; and,

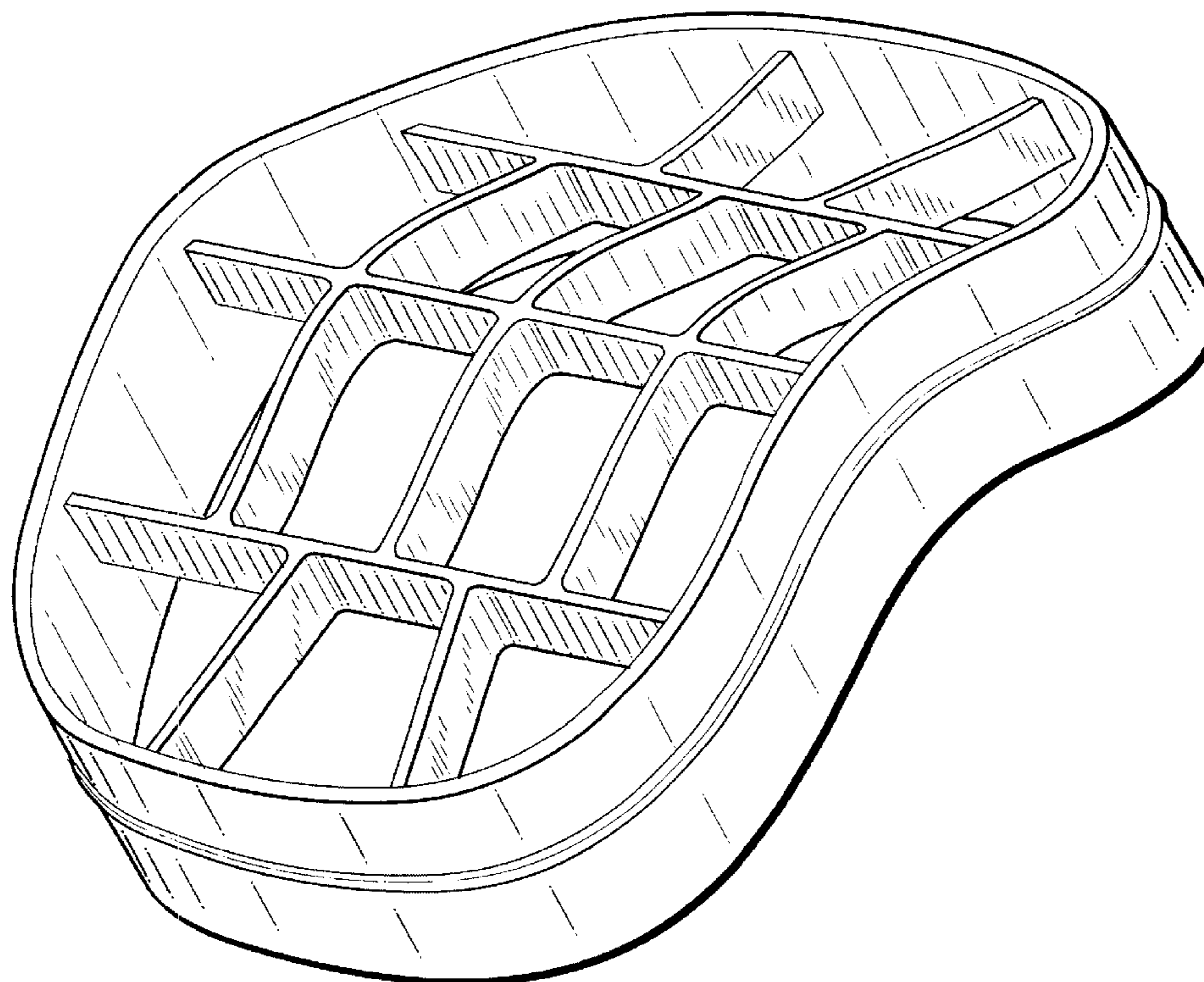
FIG. 7 is a side elevational view of the golf bag divider top taken from the right in FIG. 2.

(56) **References Cited**

U.S. PATENT DOCUMENTS

4,596,328 A	6/1986	Solheim	
4,600,100 A	7/1986	Solheim	
4,667,820 A	5/1987	Solheim	
D385,113 S	* 10/1997	Beck et al. D3/320
D389,311 S	* 1/1998	Wang D3/320
D431,111 S	* 9/2000	Ryan D3/320
D450,188 S	* 11/2001	Maeng D3/320
D454,249 S	3/2002	Schmidt	

1 Claim, 4 Drawing Sheets



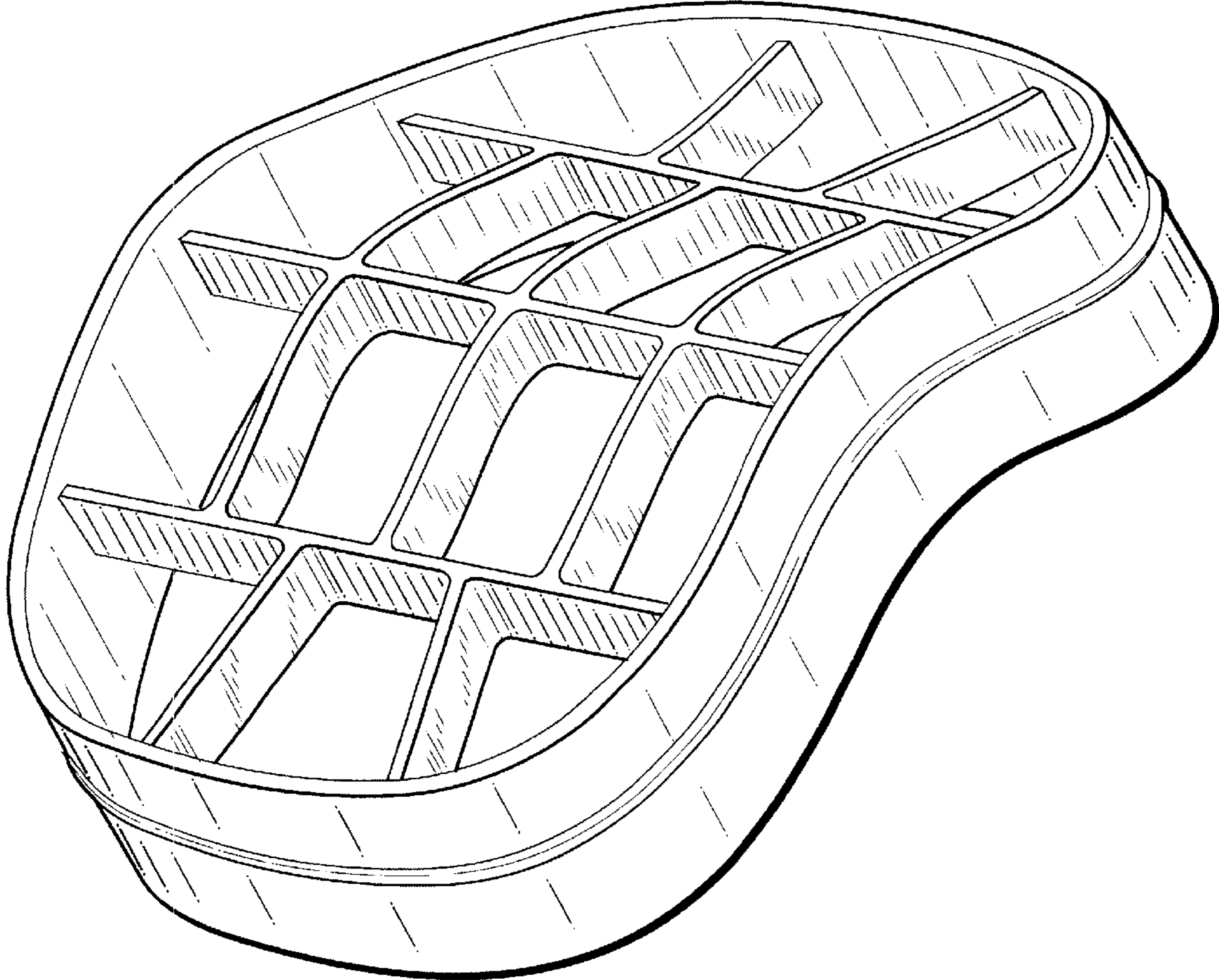


Fig. 1

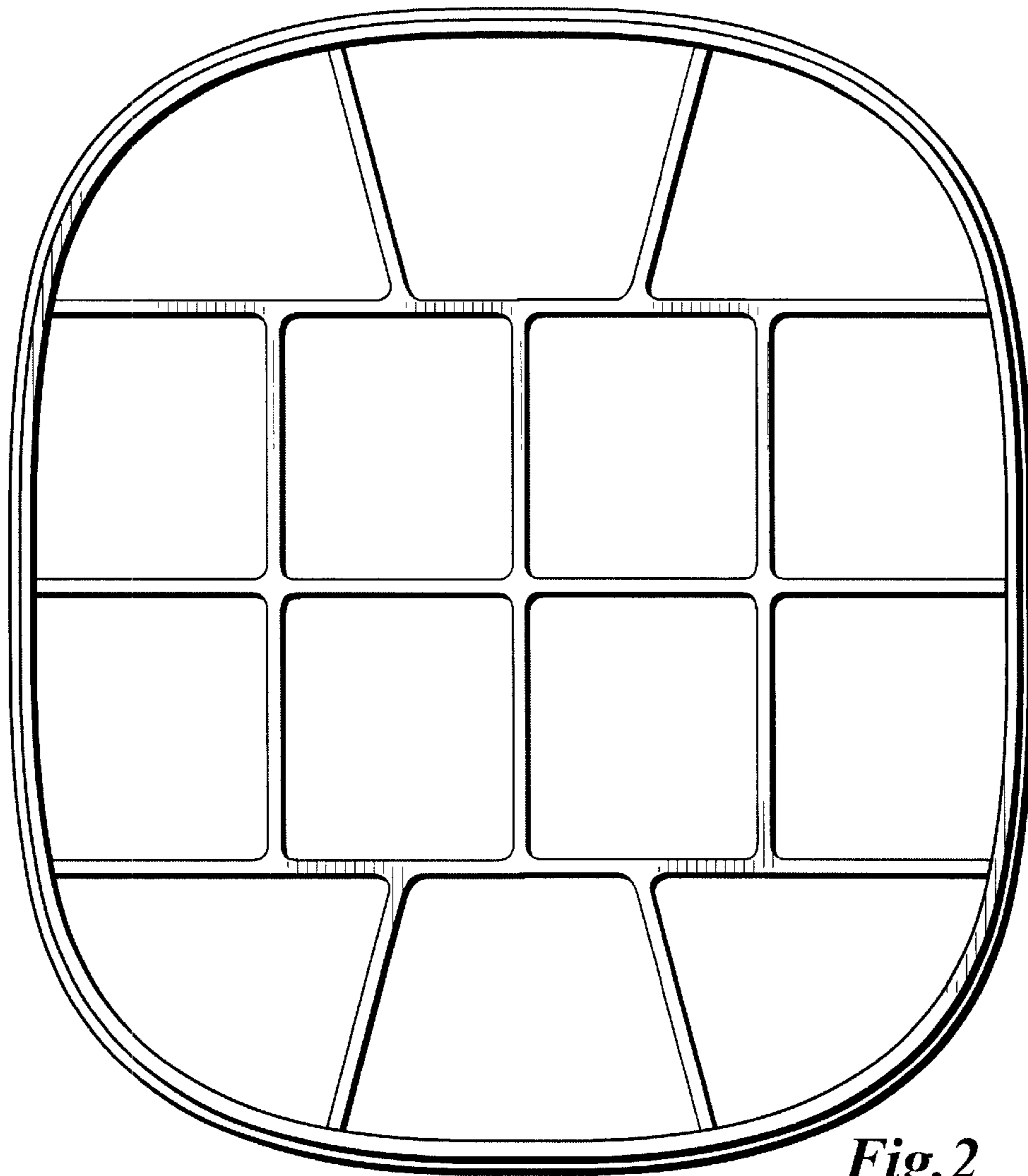


Fig. 2

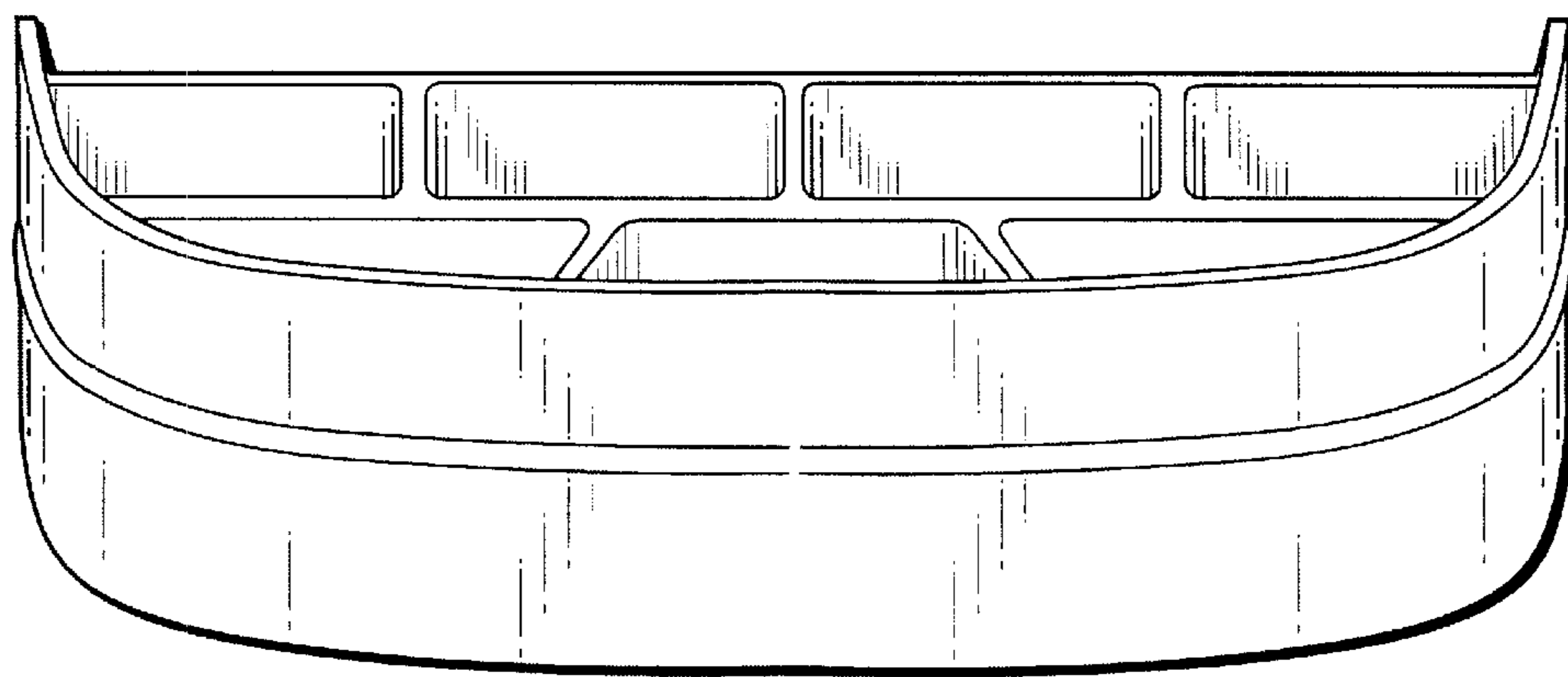


Fig. 3

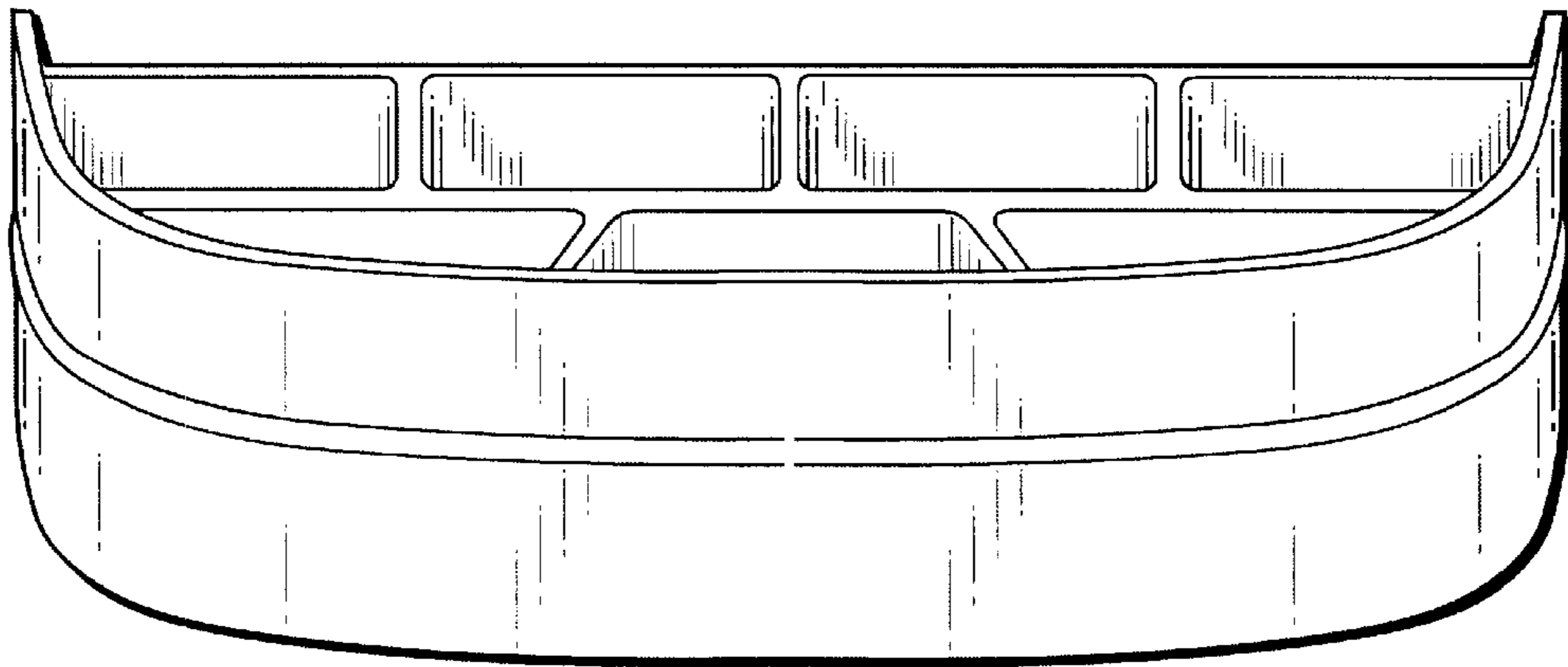


Fig. 4

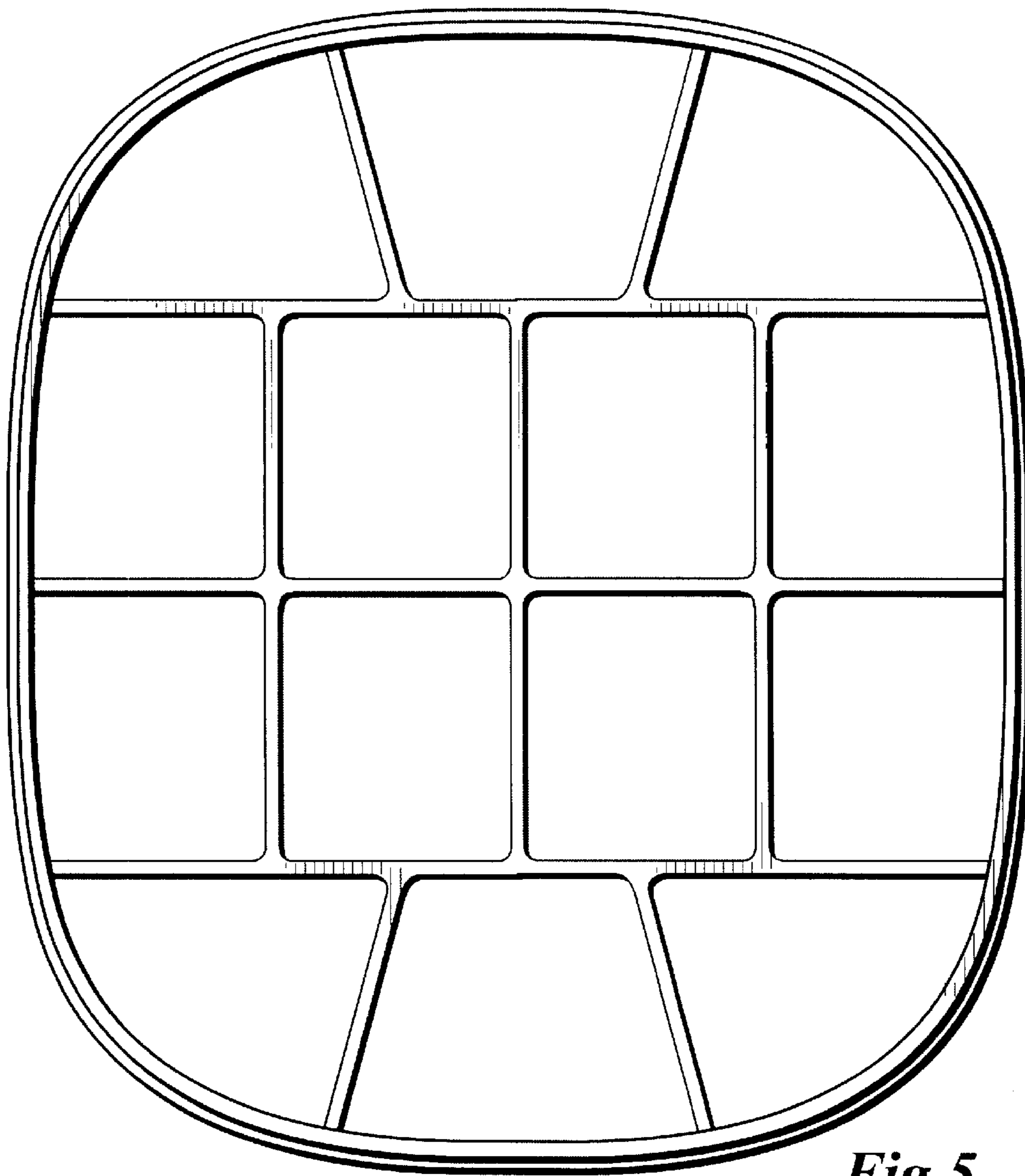


Fig. 5

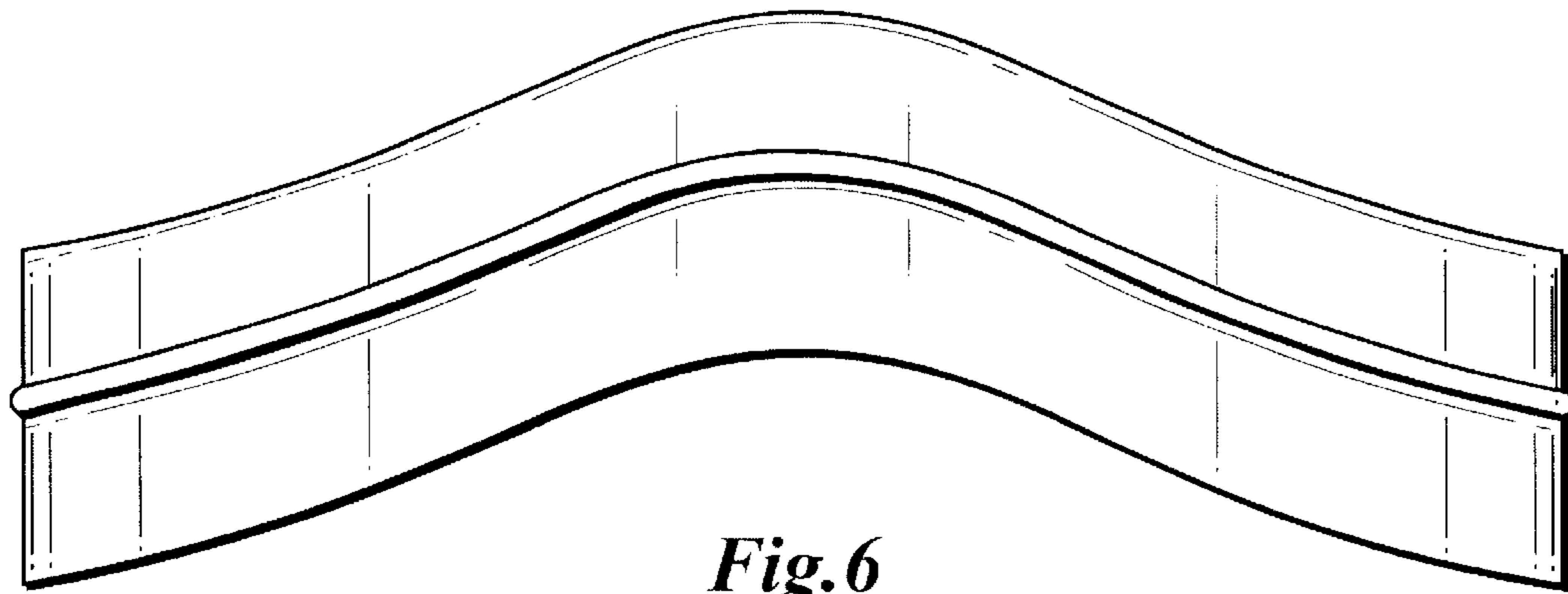


Fig. 6

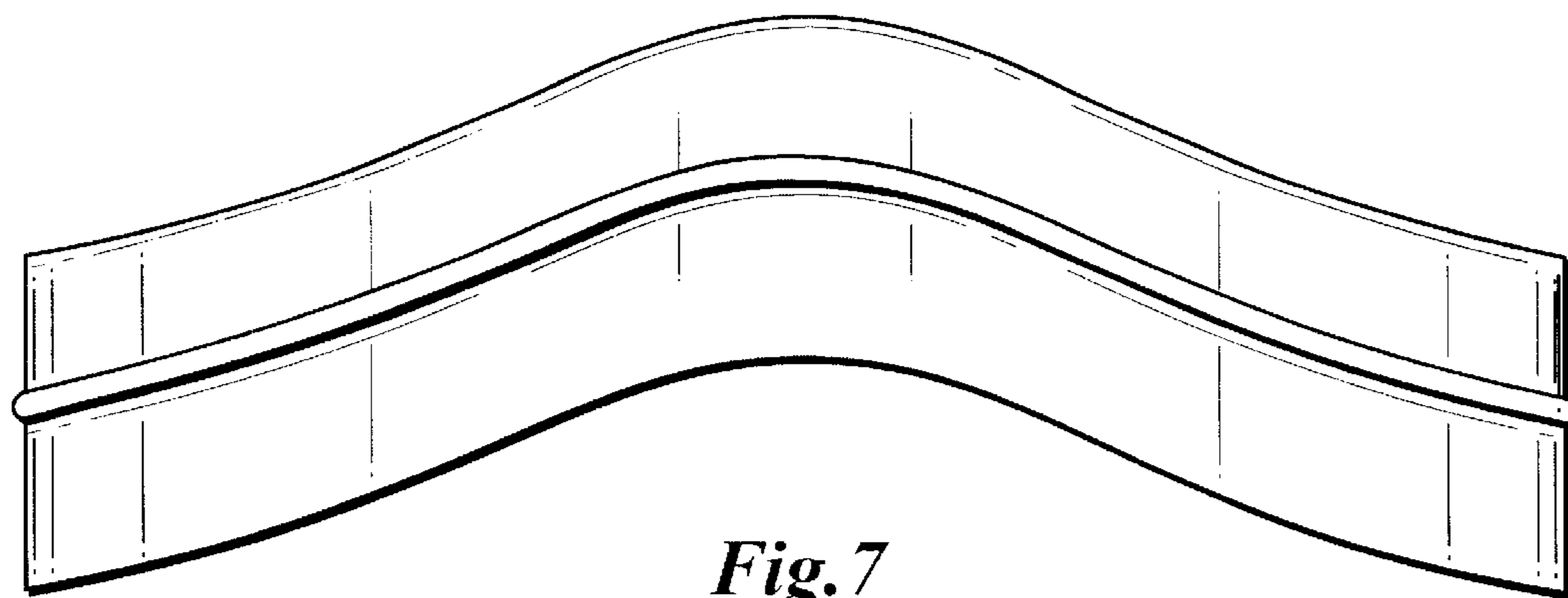


Fig. 7