



US00D530921S

(12) **United States Design Patent**
Snell

(10) **Patent No.:** **US D530,921 S**

(45) **Date of Patent:** **** Oct. 31, 2006**

(54) **DRAWER ORGANIZER**

(75) Inventor: **Russell Benton Snell**, Bentleyville, OH
(US)

(73) Assignee: **InterDesign, Inc.**, Solon, OH (US)

(**) Term: **14 Years**

(21) Appl. No.: **29/218,835**

(22) Filed: **Dec. 7, 2004**

(51) **LOC (8) Cl.** **03-01**

(52) **U.S. Cl.** **D3/304; D3/314**

(58) **Field of Classification Search** D3/20,
D3/200, 201, 203.1, 203.3, 205, 206, 273,
D3/276, 304-315; D6/525, 475, 476; D19/75,
D19/77, 86, 90, 92, 100; 206/203, 214, 215,
206/822, 307.1; 229/100, 914, 913, 406
See application file for complete search history.

(56) **References Cited**

U.S. PATENT DOCUMENTS

1,265,611 A * 5/1918 Clarke 99/418

D93,084 S * 8/1934 Baum D3/203.1
D120,991 S * 6/1940 Koch D11/155
D292,650 S * 11/1987 Schmitz D4/137
D503,041 S * 3/2005 Hepworth et al. D3/276

* cited by examiner

Primary Examiner—Louis S. Zarfes

Assistant Examiner—John Windmuller

(74) *Attorney, Agent, or Firm*—D. Peter Hochberg; Sean
Mellino; Katherine R. Vieyra

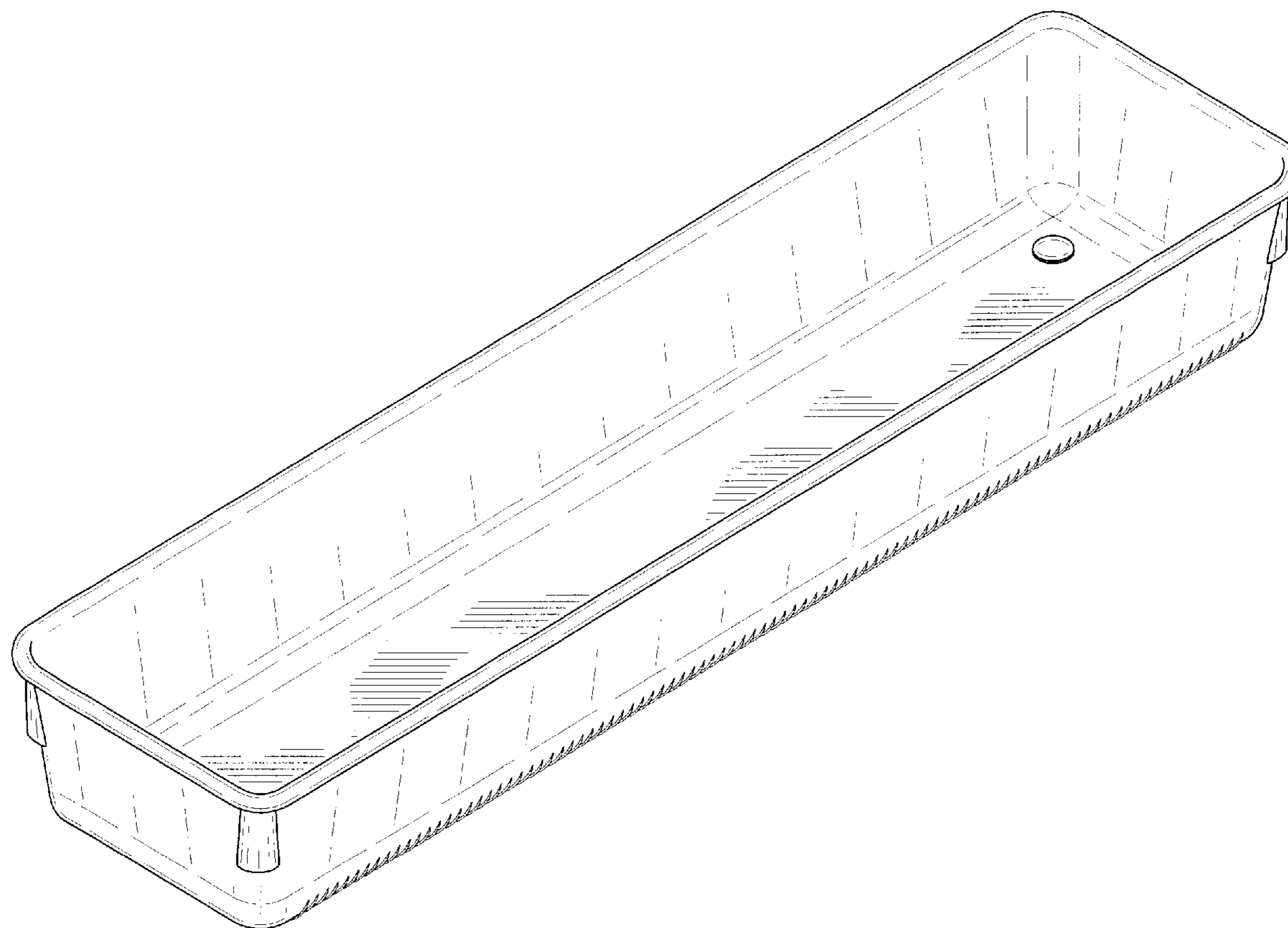
(57) **CLAIM**

The ornamental design for a drawer organizer, as shown and
described.

DESCRIPTION

FIG. 1 is a top perspective view of a drawer organizer
showing my new design;
FIG. 2 is a top plan view thereof;
FIG. 3 is a bottom plan view thereof;
FIG. 4 is a right side elevational view thereof; and,
FIG. 5 is a front elevational view thereof.

1 Claim, 3 Drawing Sheets



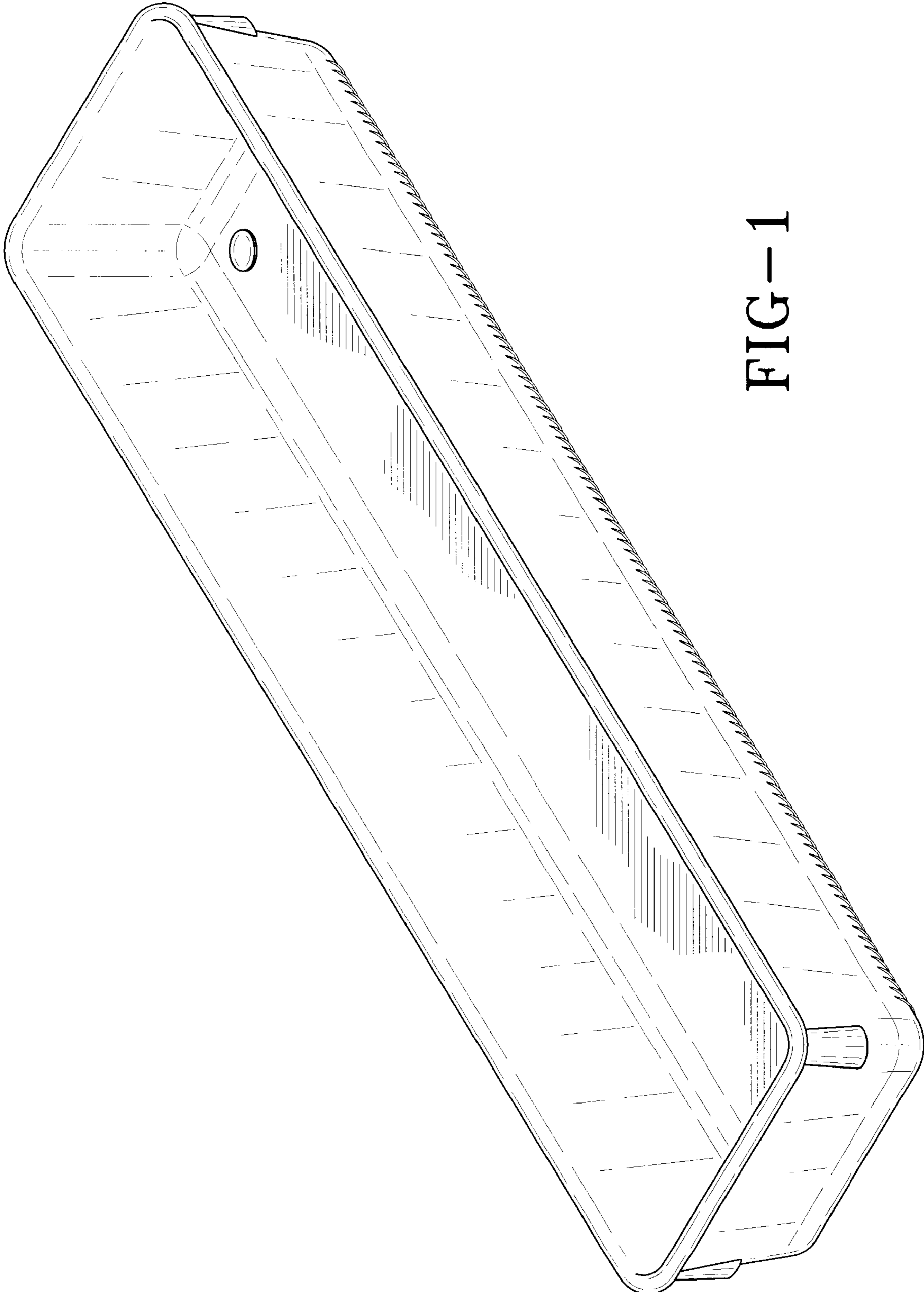


FIG-1

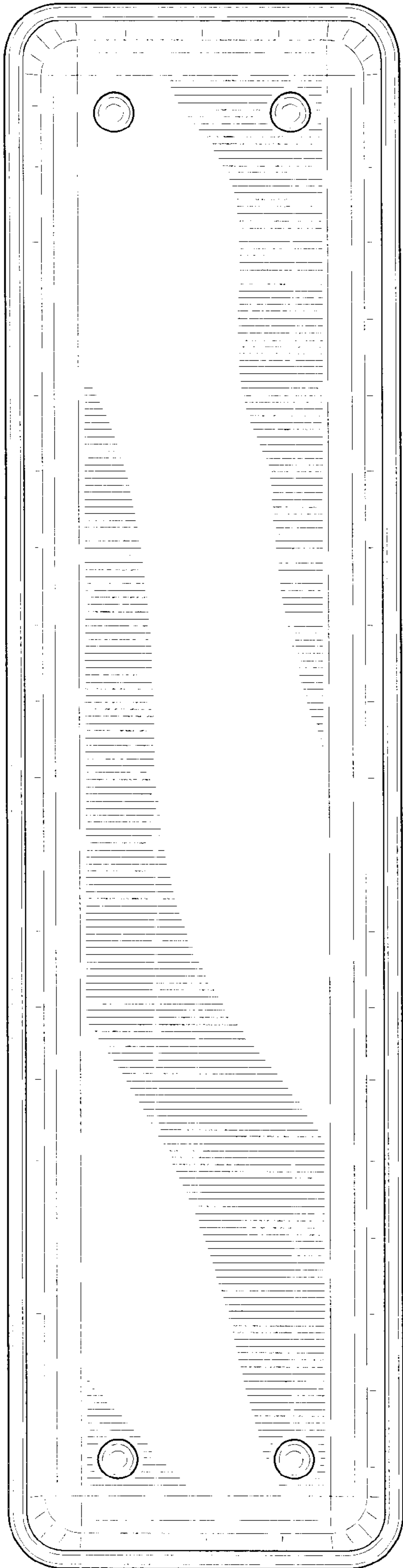


FIG-2

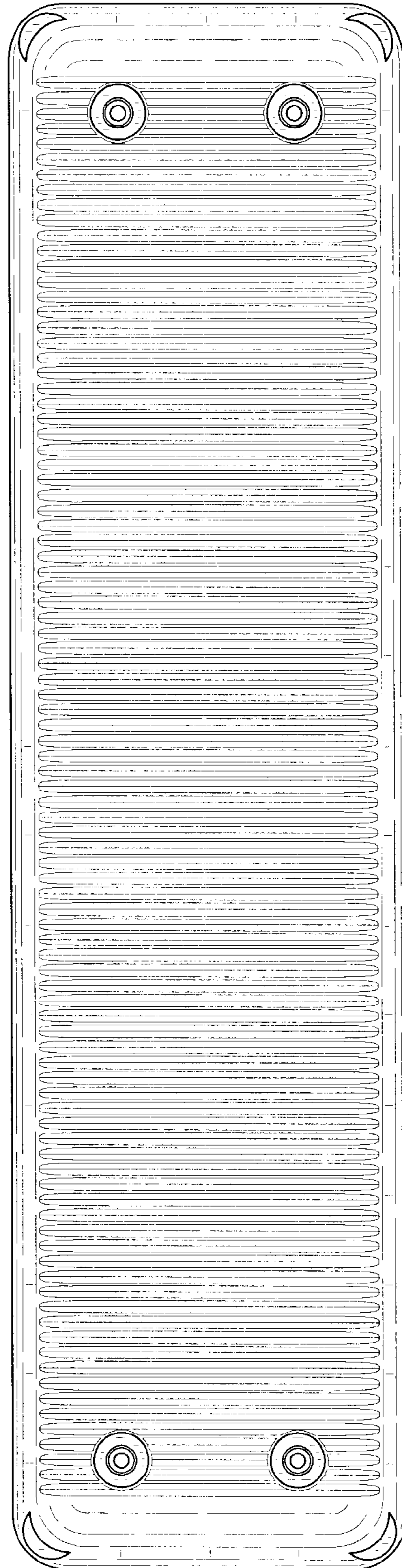


FIG-3

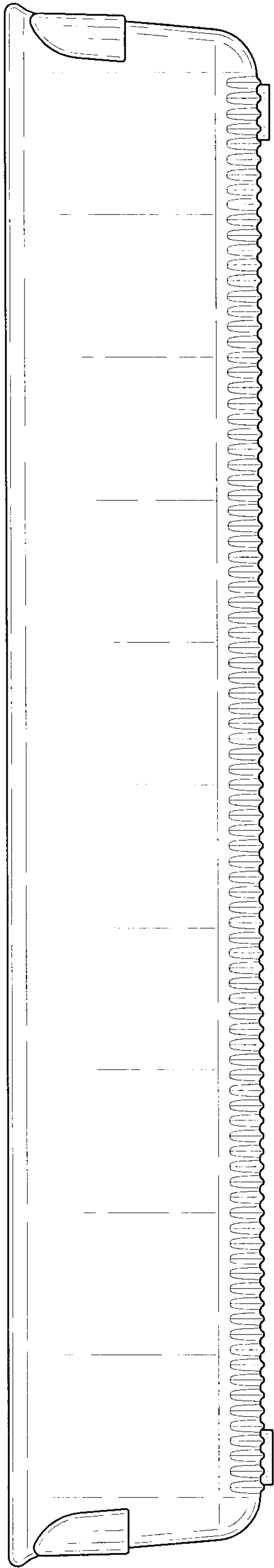


FIG-4

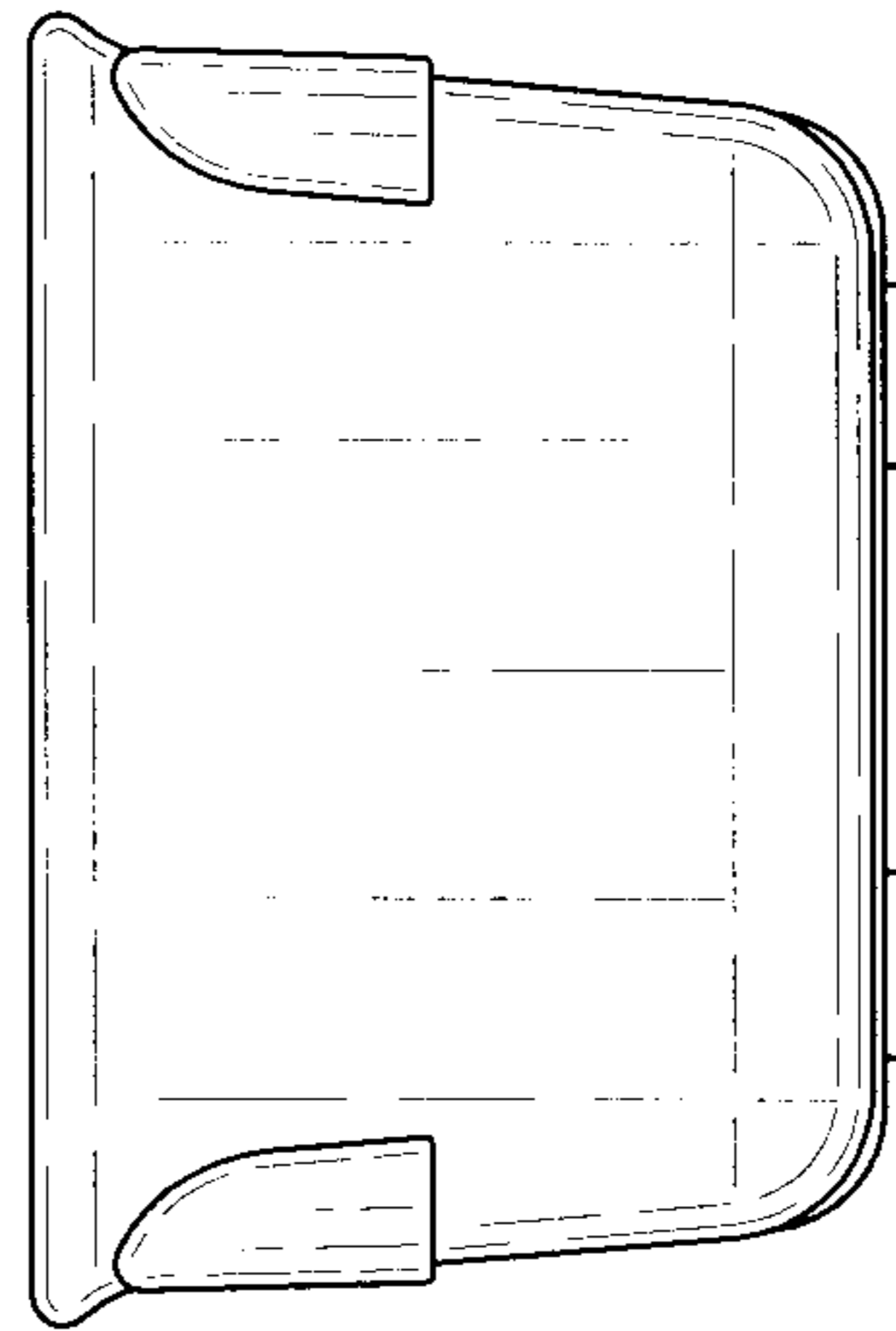


FIG-5