



US00D530919S

(12) **United States Design Patent**  
**Snell**

(10) **Patent No.:** **US D530,919 S**

(45) **Date of Patent:** **\*\* Oct. 31, 2006**

(54) **DRAWER ORGANIZER**

D368,584 S \* 4/1996 Stommel, Jr. .... D3/313  
D468,663 S \* 1/2003 Fan ..... D11/156

(75) Inventor: **Russell Benton Snell**, Bentleyville, OH  
(US)

**OTHER PUBLICATIONS**

(73) Assignee: **InterDesign, Inc.**, Solon, OH (US)

*2002 bath housewares storage, organizers*, p. 51, InterDe-  
sign, Inc. product brochure, 2002 (with front and back  
covers).

(\*\*) Term: **14 Years**

\* cited by examiner

(21) Appl. No.: **29/218,724**

*Primary Examiner*—Louis S. Zarfaz

(22) Filed: **Dec. 7, 2004**

*Assistant Examiner*—John Windmuller

(51) **LOC (8) Cl.** ..... **03-01**

(74) *Attorney, Agent, or Firm*—D. Peter Hochberg; Sean  
Mellino; Katherine R. Vieyra

(52) **U.S. Cl.** ..... **D3/304; D3/314**

(58) **Field of Classification Search** ..... D3/20,  
D3/200, 201, 203.1, 203.3, 205, 206, 273,  
D3/276, 304–315; D6/525, 475, 476; D19/75,  
D19/77, 86, 90, 92, 100; 206/203, 214, 215,  
206/822, 307.1; 229/100, 914, 913, 406  
See application file for complete search history.

(57) **CLAIM**

The ornamental design for a drawer organizer, as shown and  
described.

(56) **References Cited**

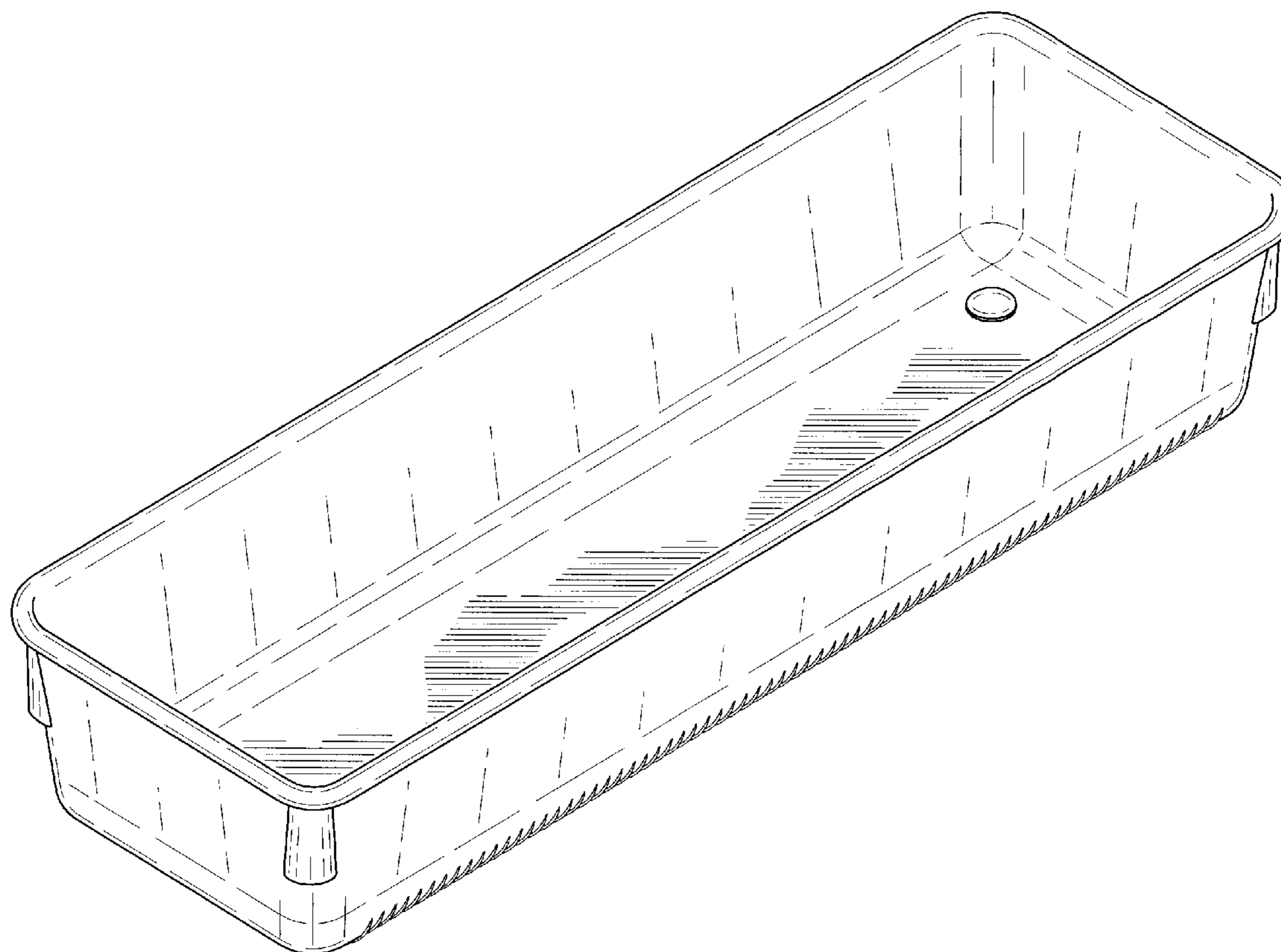
**DESCRIPTION**

**U.S. PATENT DOCUMENTS**

D93,084 S \* 8/1934 Baum ..... D3/203.1  
D120,991 S \* 6/1940 Koch ..... D11/155  
D194,429 S \* 1/1963 Kuhn ..... D11/156  
D274,967 S \* 8/1984 Taylor ..... D6/510

FIG. 1 is a top perspective view of a drawer organizer  
showing my new design;  
FIG. 2 is a top plan view thereof;  
FIG. 3 is a bottom plan view thereof;  
FIG. 4 is a right side elevational view thereof; and,  
FIG. 5 is a front elevational view thereof.

**1 Claim, 3 Drawing Sheets**



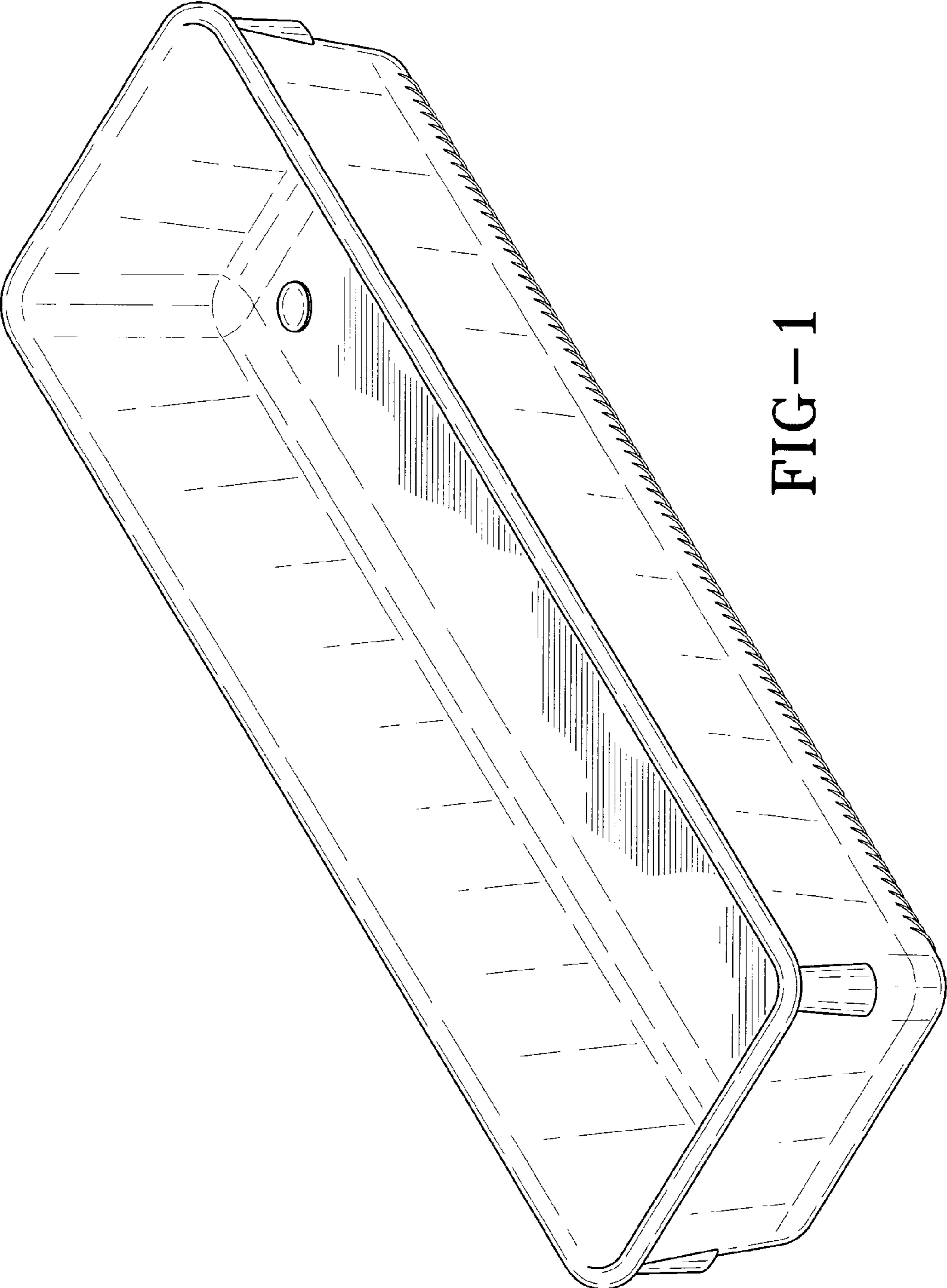


FIG-1



FIG-2

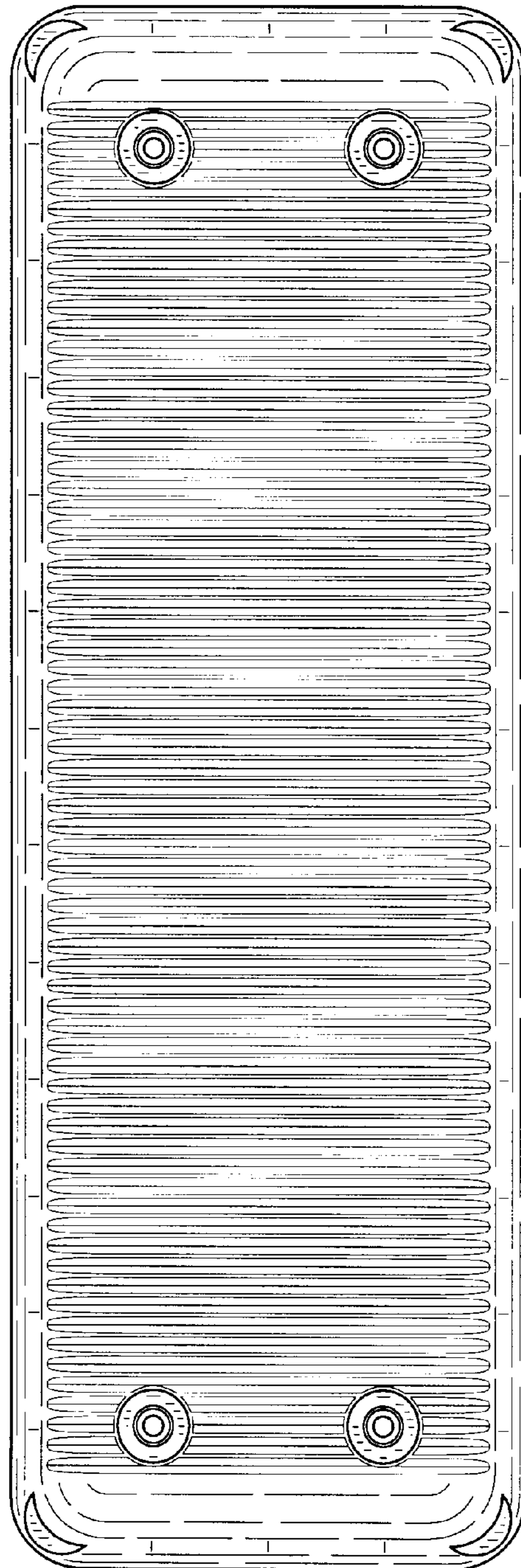


FIG-3

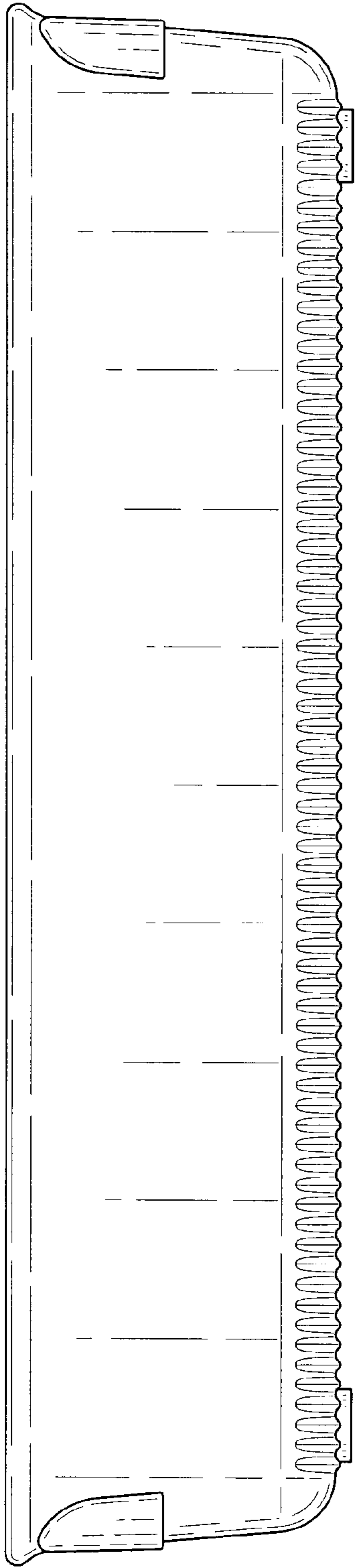


FIG-4

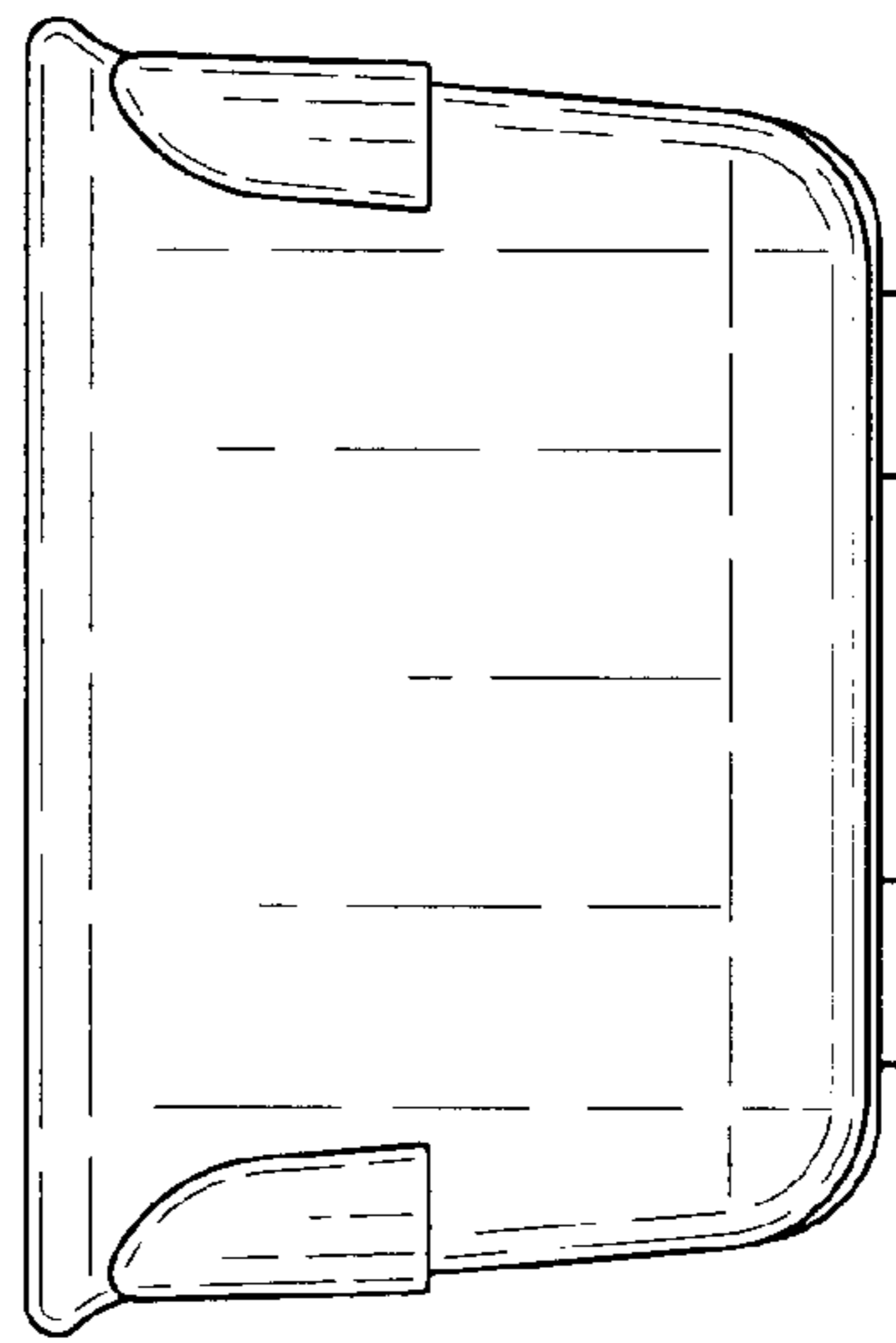


FIG-5