

US00D530917S

(12) **United States Design Patent**
Conforti

(10) **Patent No.:** **US D530,917 S**

(45) **Date of Patent:** **** Oct. 31, 2006**

(54) **TRANSPORT CASE**

(76) **Inventor:** **Carl Joseph Conforti**, 30 Riverview
St., Fall River, MA (US) 02724

(**) **Term:** **14 Years**

(21) **Appl. No.:** **29/233,428**

(22) **Filed:** **Jul. 1, 2005**

Related U.S. Application Data

(63) Continuation of application No. 29/205,779, filed on May
20, 2004, now Pat. No. Des. 514,317.

(51) **LOC (8) Cl.** **03-01**

(52) **U.S. Cl.** **D3/299; D3/303**

(58) **Field of Classification Search** D3/243,
D3/254, 273, 299, 303; 150/117; 383/110;
190/901, 902; 206/365

See application file for complete search history.

(56) **References Cited**

U.S. PATENT DOCUMENTS

D244,723	S	*	6/1977	Rabinowitz	D3/289
4,140,164	A	*	2/1979	Staup	150/110
4,961,522	A	*	10/1990	Weber	224/585
D341,939	S	*	12/1993	Zelcer	D3/243

D352,166	S	*	11/1994	Caligiuri	D3/243
D418,679	S	*	1/2000	Chiapperini, Jr.	D3/303
D422,411	S	*	4/2000	Martin	D3/303
D429,562	S	*	8/2000	Lau	D3/226
D429,883	S	*	8/2000	Roonan et al.	D3/273
D453,994	S	*	3/2002	Meissner	D3/273
D482,525	S	*	11/2003	Fair	D3/267
D496,792	S	*	10/2004	Crites	D3/299

* cited by examiner

Primary Examiner—Philip S. Hyder

(57) **CLAIM**

The ornamental design for a transport case, as shown and
described.

DESCRIPTION

FIG. 1 is a perspective view of the transport case illustrating
the new design;

FIG. 2 is a top view of the transport case;

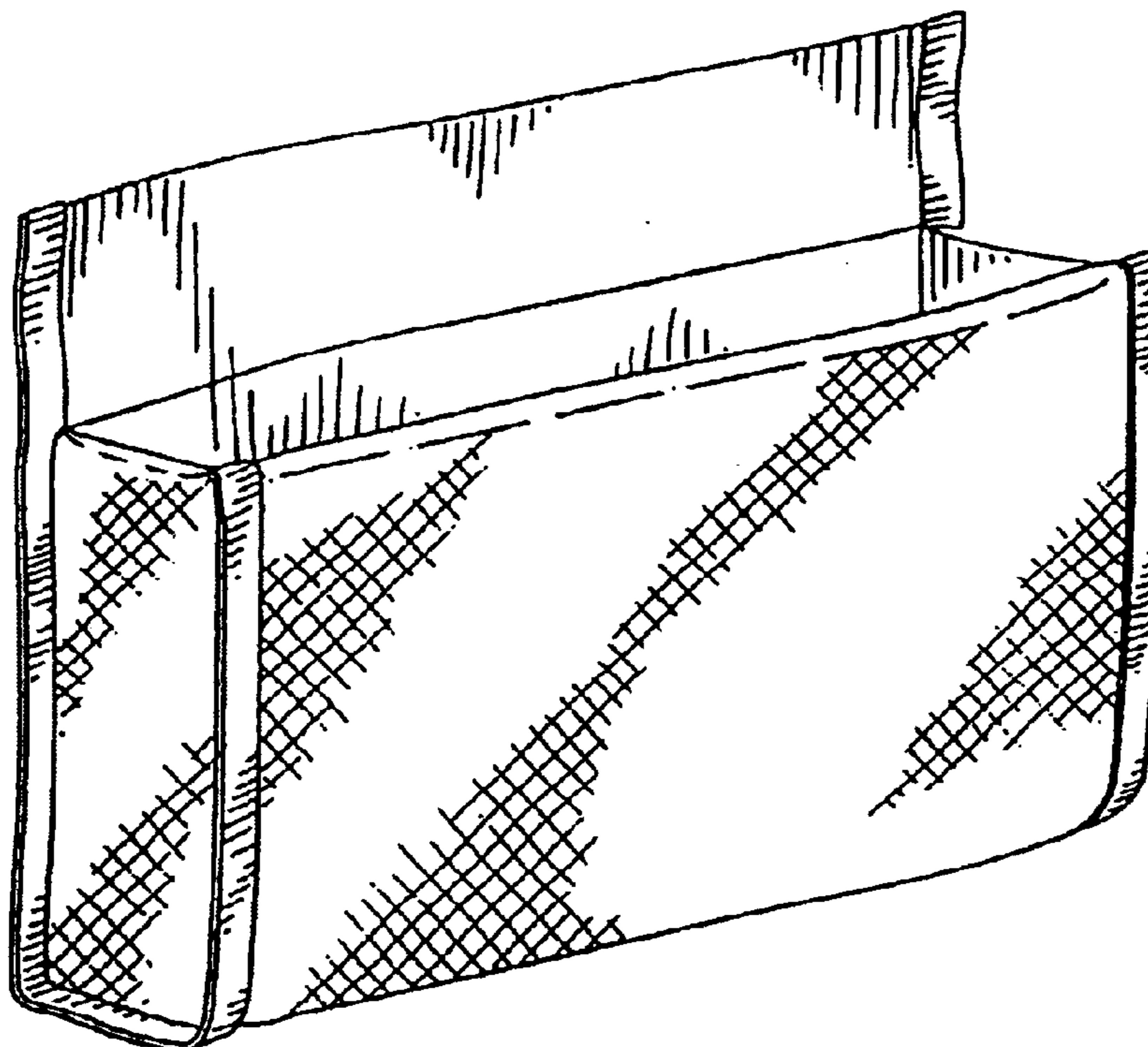
FIG. 3 is the left side view of the transport case;

FIG. 4 is a bottom view of the transport case; and,

FIG. 5 is a perspective view of the transport case with cover
in the closed position.

The broken line portions of the structure are for illustrative
purposes only and form no part of the claimed design.

1 Claim, 3 Drawing Sheets



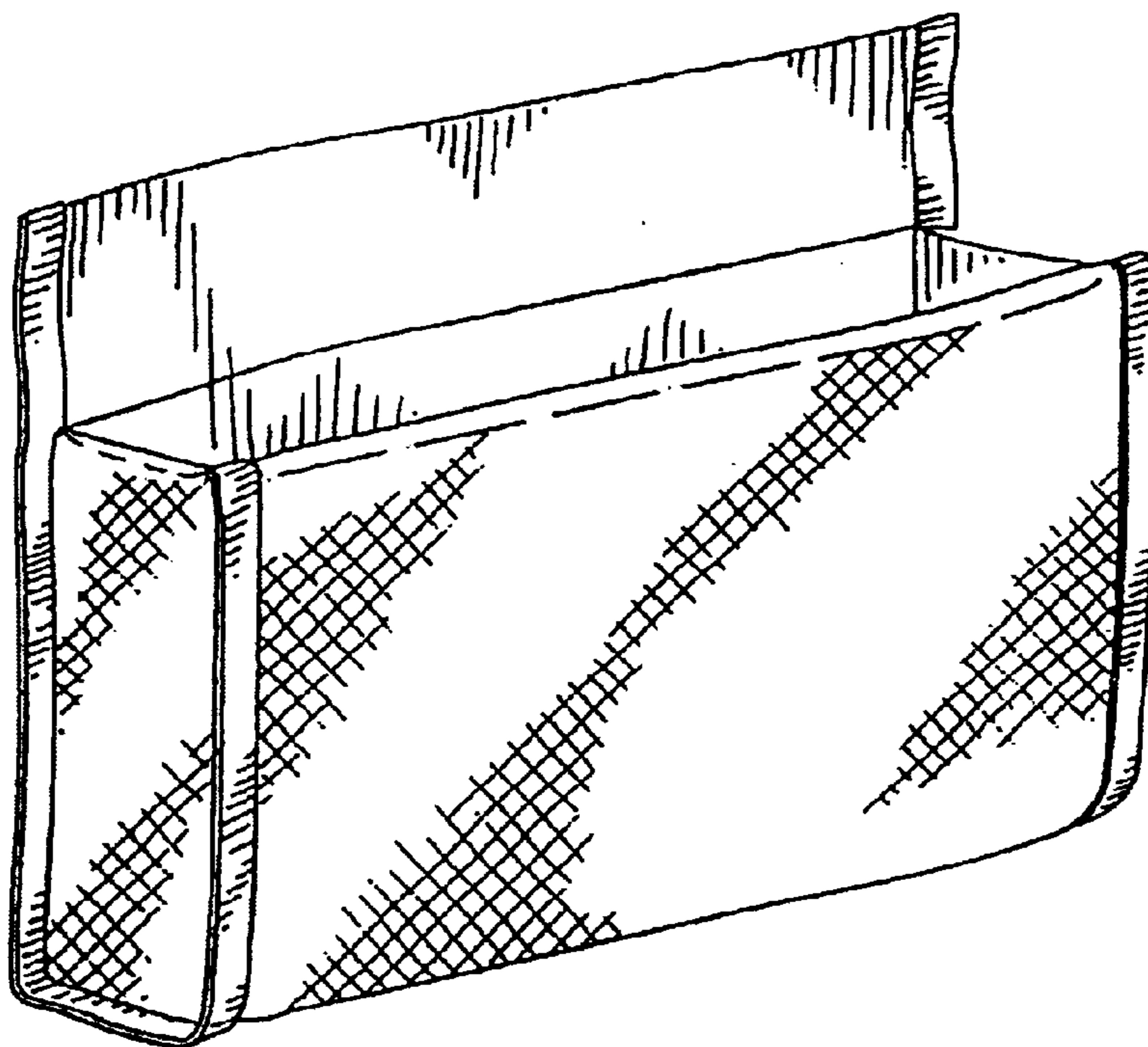


FIG. 1

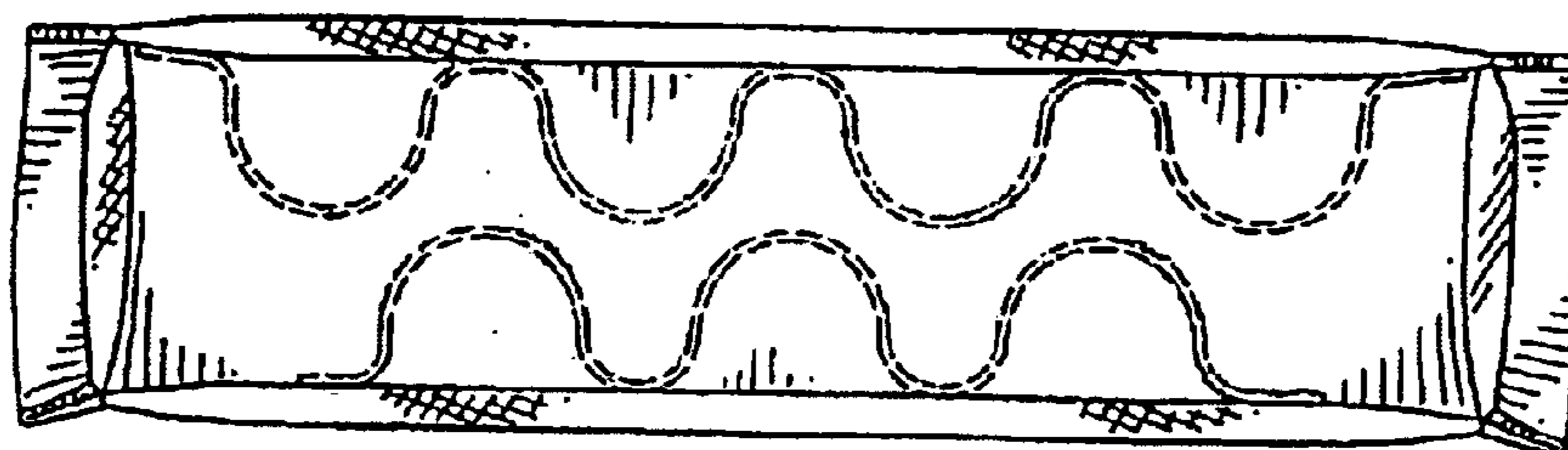


FIG. 2

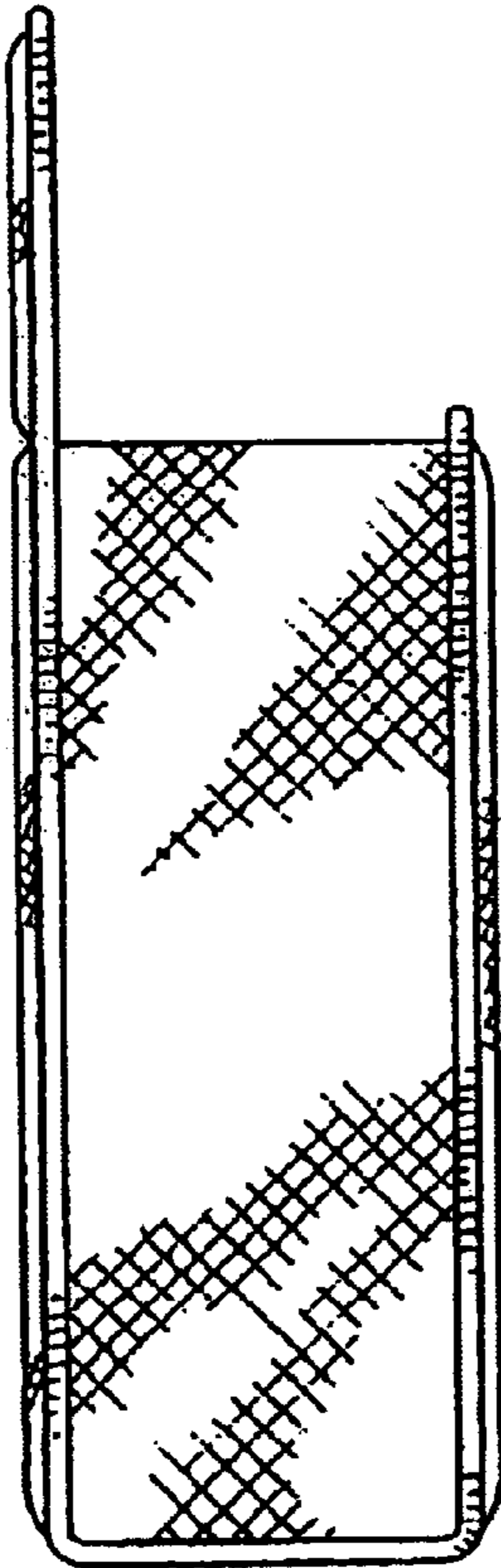


FIG. 3

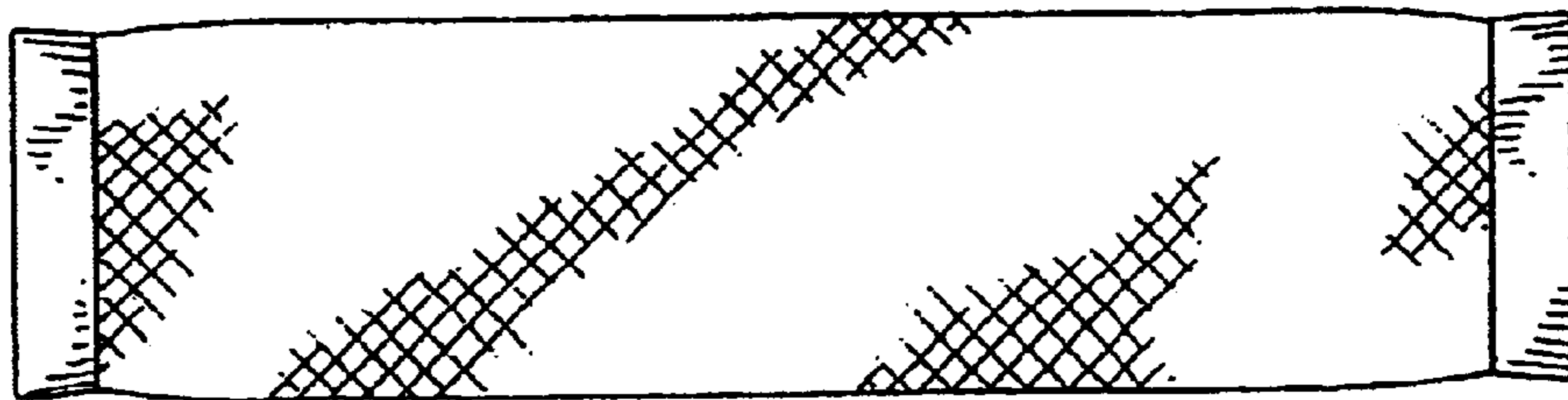


FIG. 4

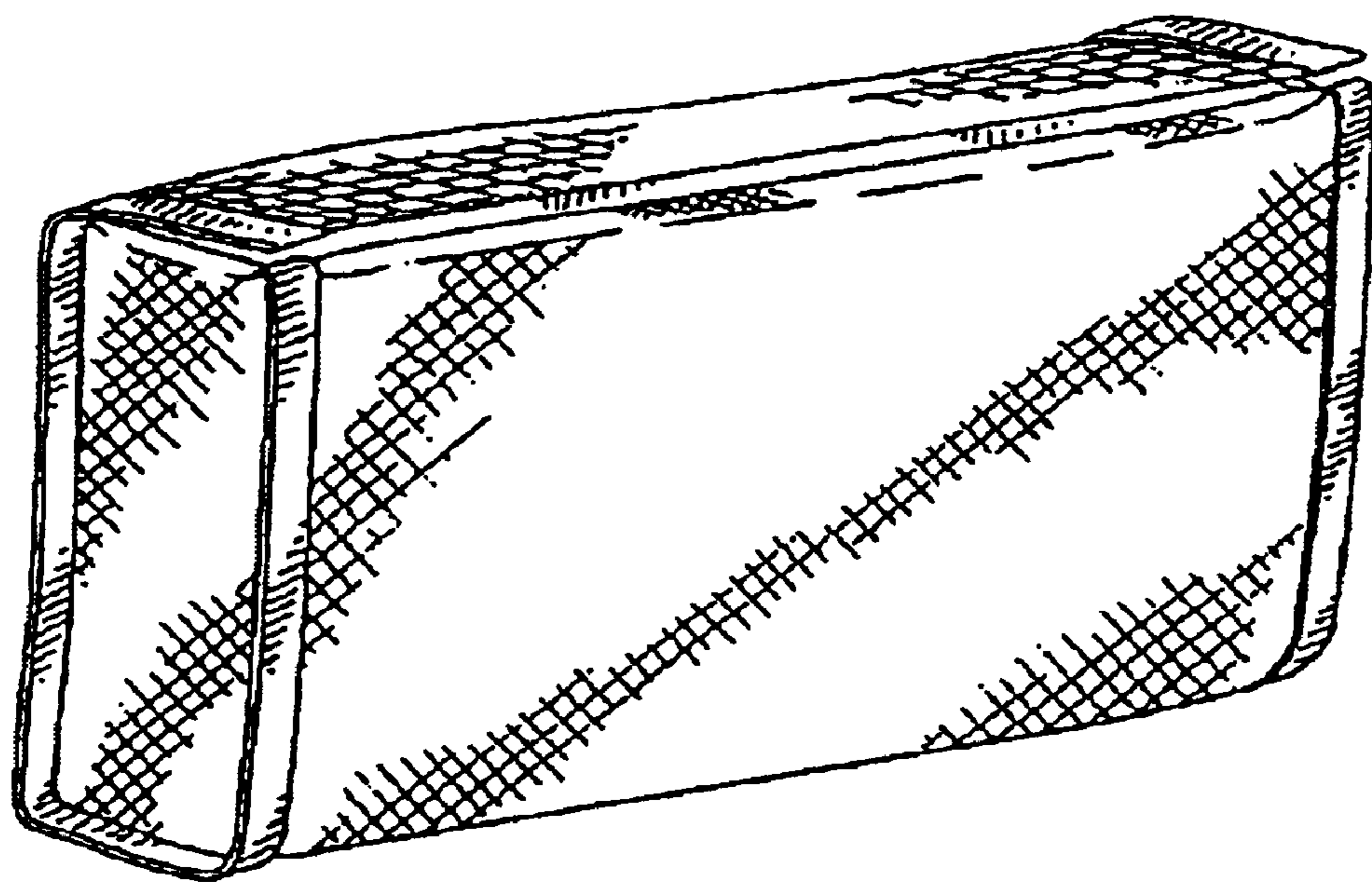


FIG. 5