



US00D530914S

(12) **United States Design Patent**
Jansson et al.

(10) **Patent No.:** **US D530,914 S**

(45) **Date of Patent:** **** Oct. 31, 2006**

(54) **TOOL CASE**

(75) Inventors: **Conny Jansson**, Västerås (SE); **Håkan Bergkvist**, Bromma (SE); **Hans Himberg**, Bromma (SE); **Mårten Andrén**, Täby (SE)

(73) Assignee: **Kapman AB**, Sandviken (SE)

(**) Term: **14 Years**

(21) Appl. No.: **29/210,196**

(22) Filed: **Jul. 28, 2004**

(30) **Foreign Application Priority Data**

Jan. 28, 2004 (EM) 132204

(51) **LOC (8) Cl.** **03-01**

(52) **U.S. Cl.** **D3/282; D3/905**

(58) **Field of Classification Search** D3/273,
D3/276, 281–282, 284, 291, 294–295, 905;
206/349, 372–373, 378; 312/902; 190/100
See application file for complete search history.

(56) **References Cited**

U.S. PATENT DOCUMENTS

4,998,616 A * 3/1991 Hillinger 206/748
D321,985 S * 12/1991 Ward D3/282
D328,189 S * 7/1992 Hillinger D3/282
5,145,064 A * 9/1992 Chen 206/372

D343,063 S * 1/1994 Chen D3/282
D345,650 S * 4/1994 Boyd D3/294
D357,117 S * 4/1995 Huang D3/276
D358,257 S * 5/1995 Sidabras et al. D3/282
D385,109 S * 10/1997 Staheli D3/281
D390,358 S * 2/1998 Calmeise D3/295
D418,678 S * 1/2000 Robson D3/282
D498,923 S * 11/2004 Chang D3/282
D507,701 S * 7/2005 Chen D3/282

* cited by examiner

Primary Examiner—Philip S. Hyder

Assistant Examiner—RoseLynne (Ulm) Cody

(74) *Attorney, Agent, or Firm*—Buchanan Ingersoll & Rooney, PC

(57) **CLAIM**

The ornamental design for a tool case, as shown and described.

DESCRIPTION

FIG. 1 is a front elevational view of a tool case showing our new design.

FIG. 2 is a rear elevational view thereof.

FIG. 3 is a bottom plan view thereof.

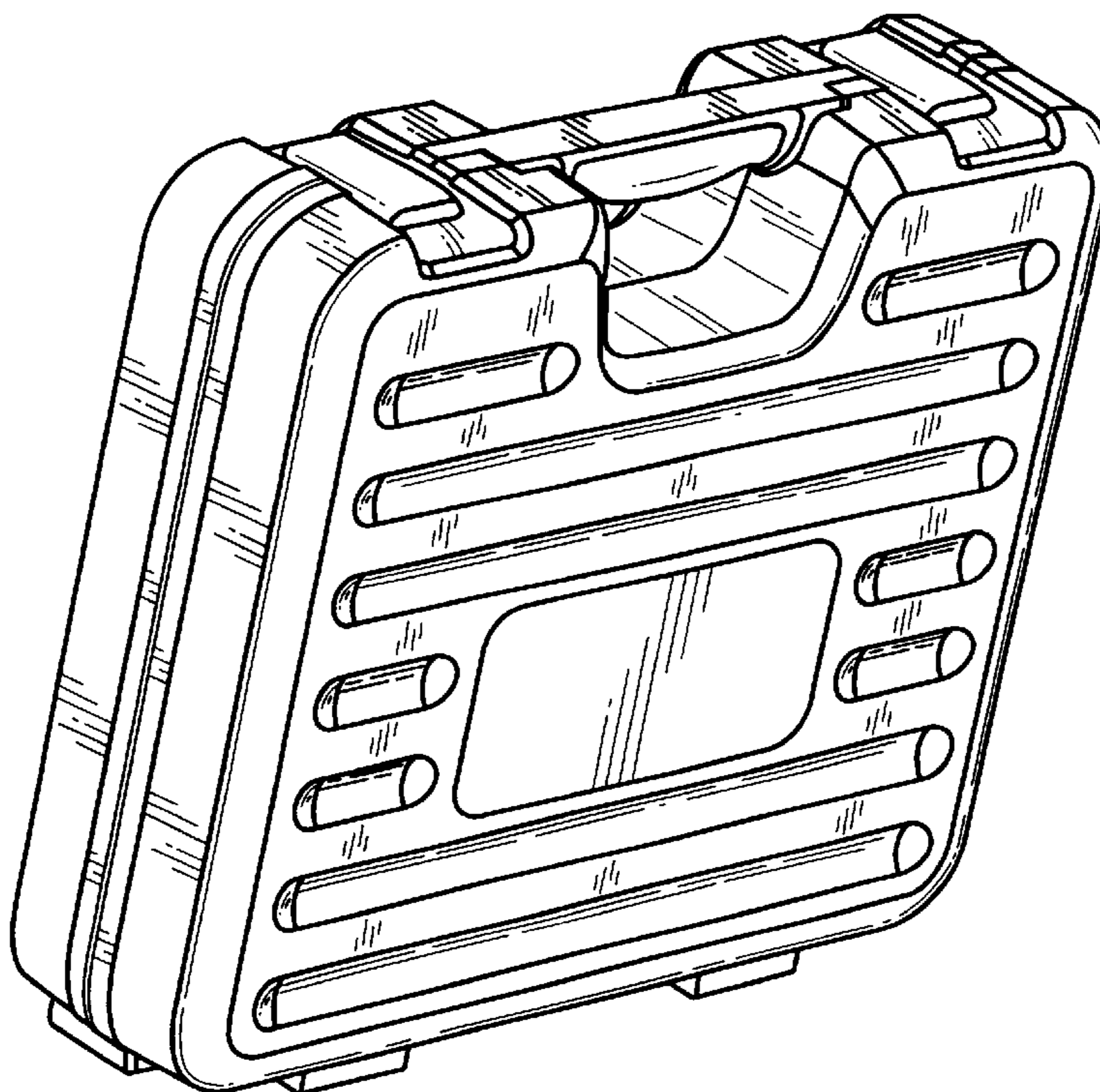
FIG. 4 is a right side elevational view thereof.

FIG. 5 is a left side elevational view thereof.

FIG. 6 is a top plan view thereof; and,

FIG. 7 is a front, top perspective view thereof.

1 Claim, 7 Drawing Sheets



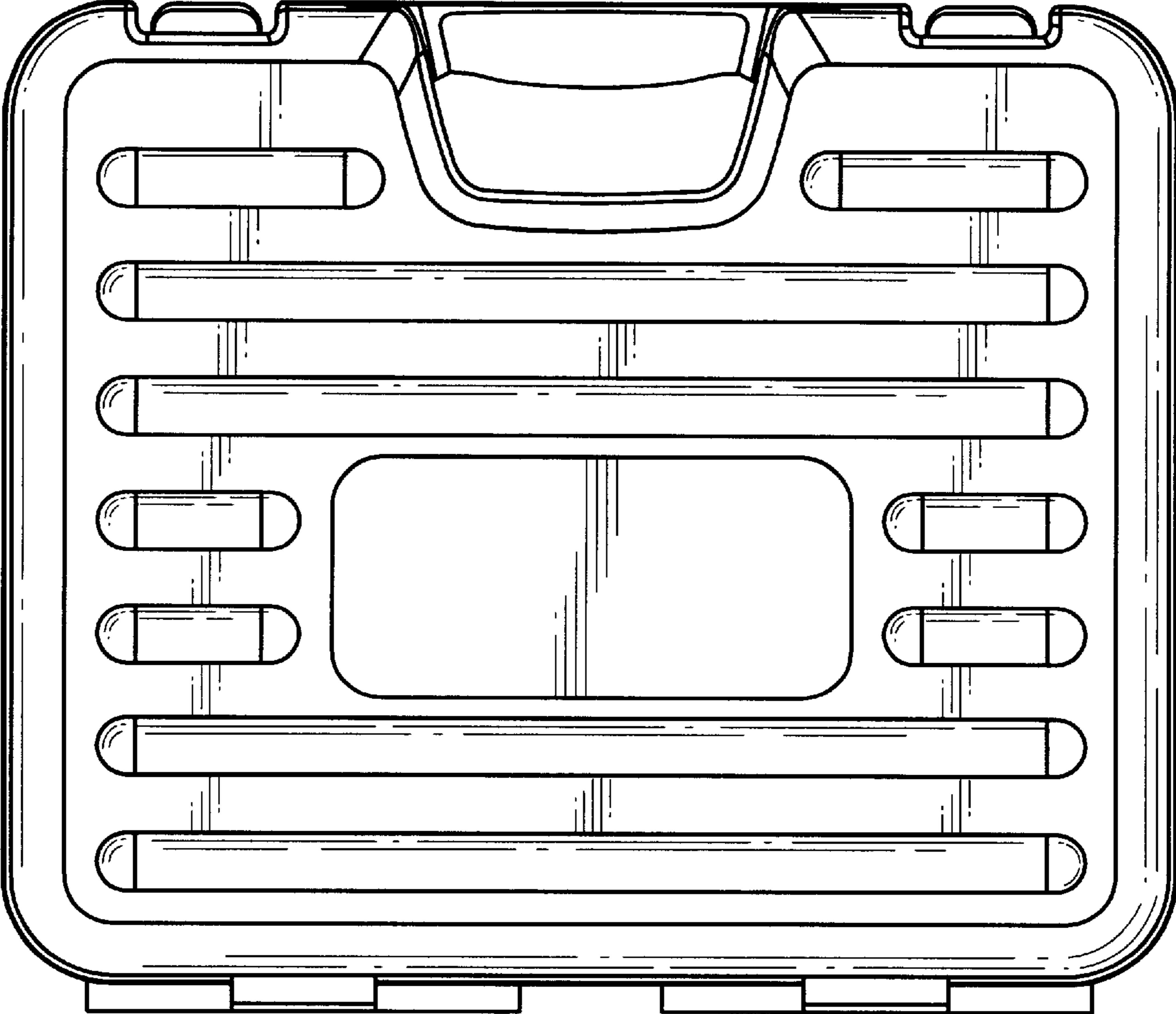


FIG. 1

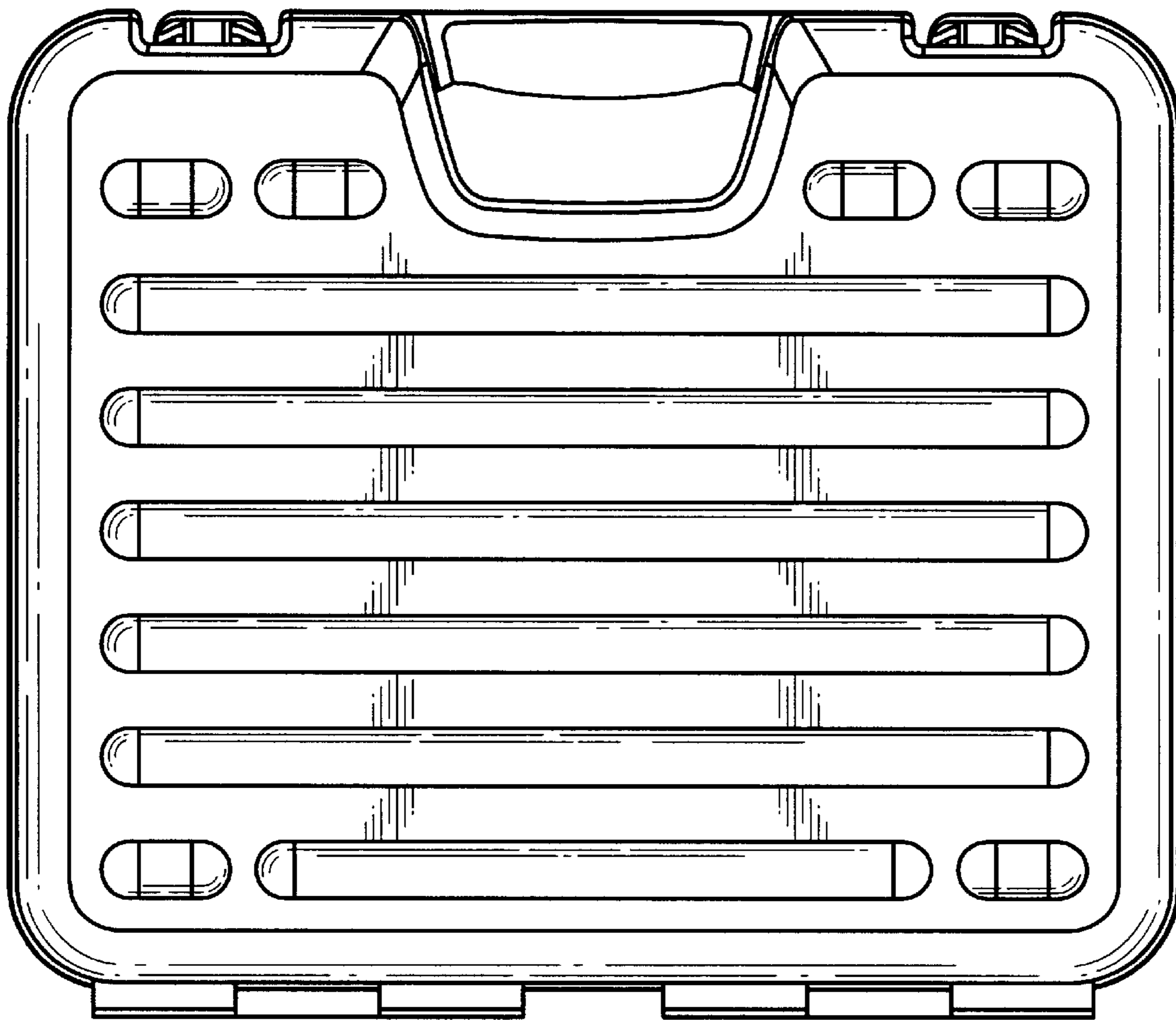


FIG. 2

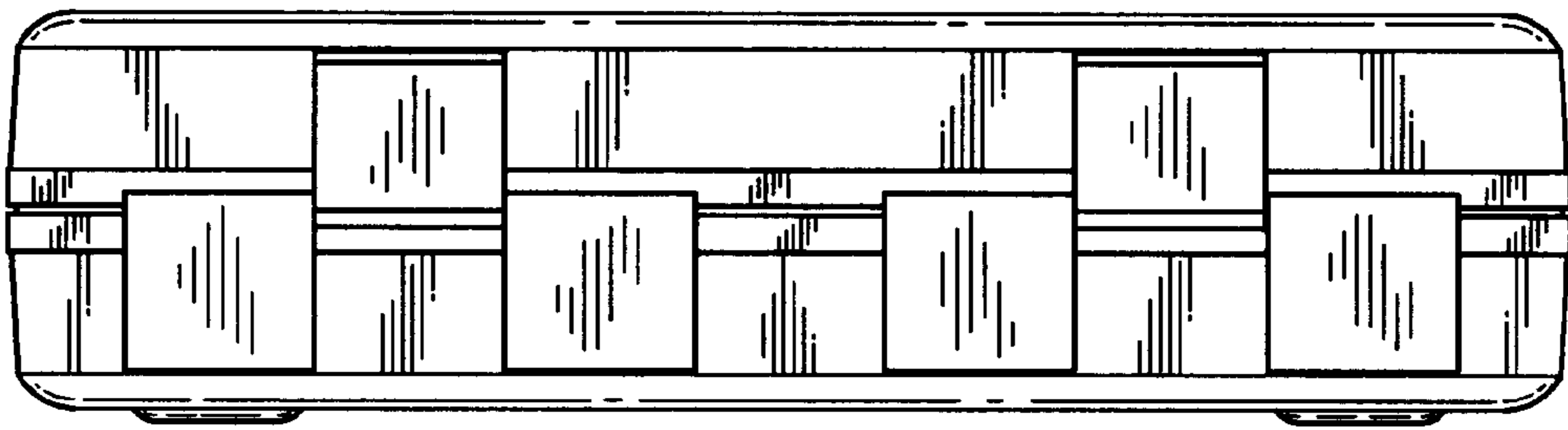


FIG. 3

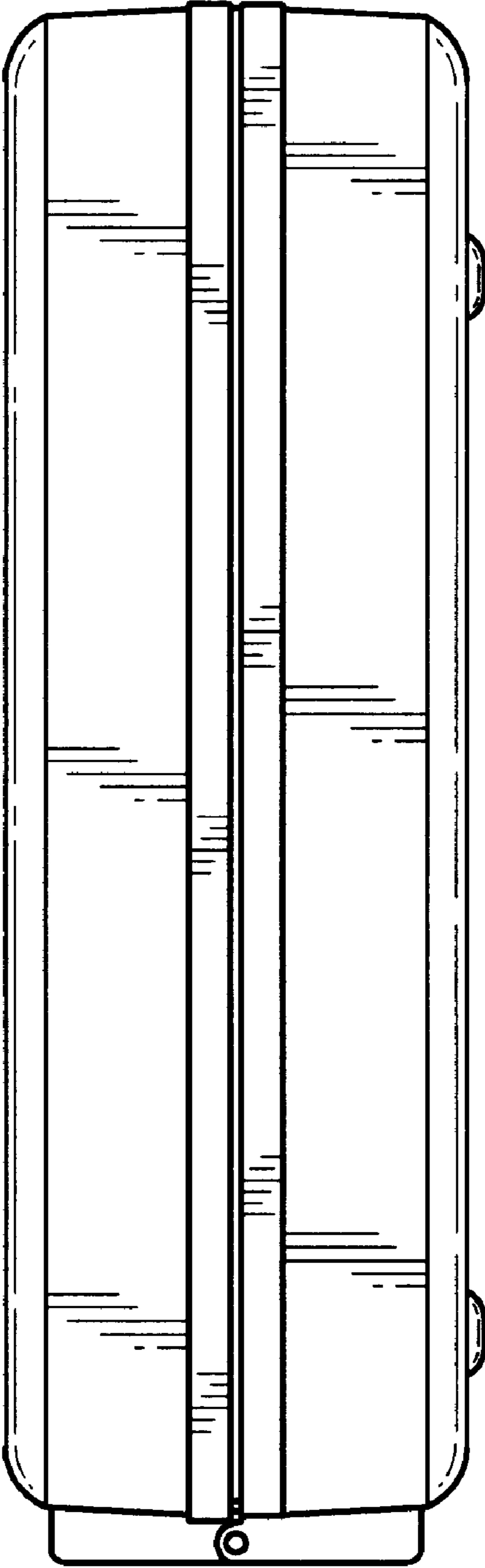


FIG. 4

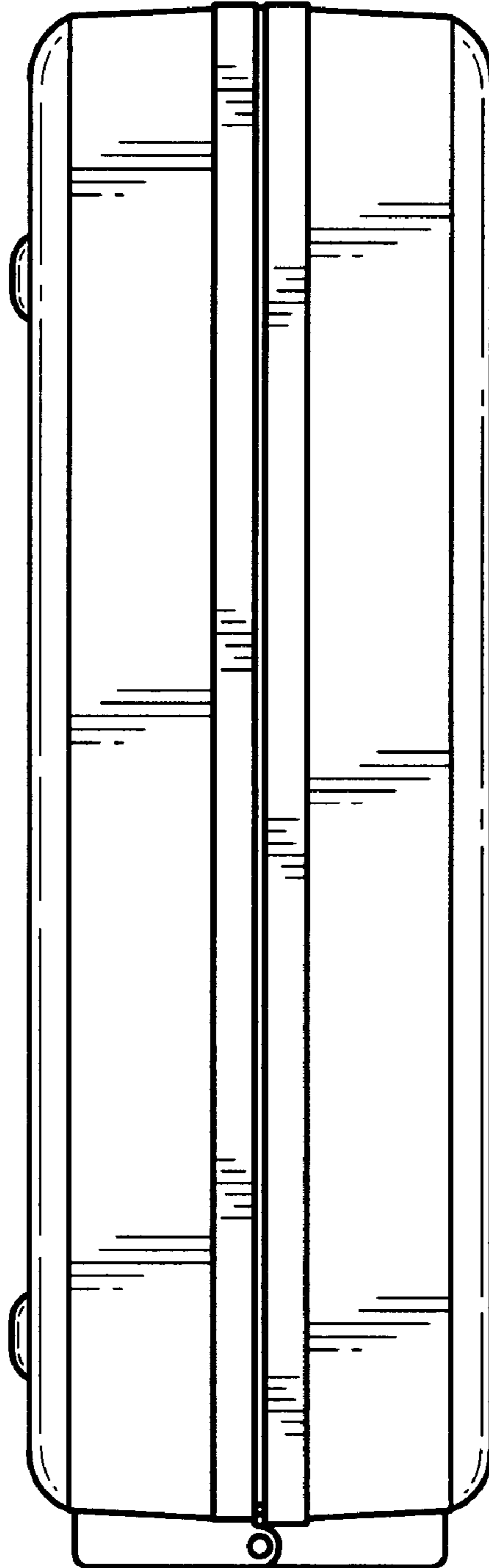


FIG. 5

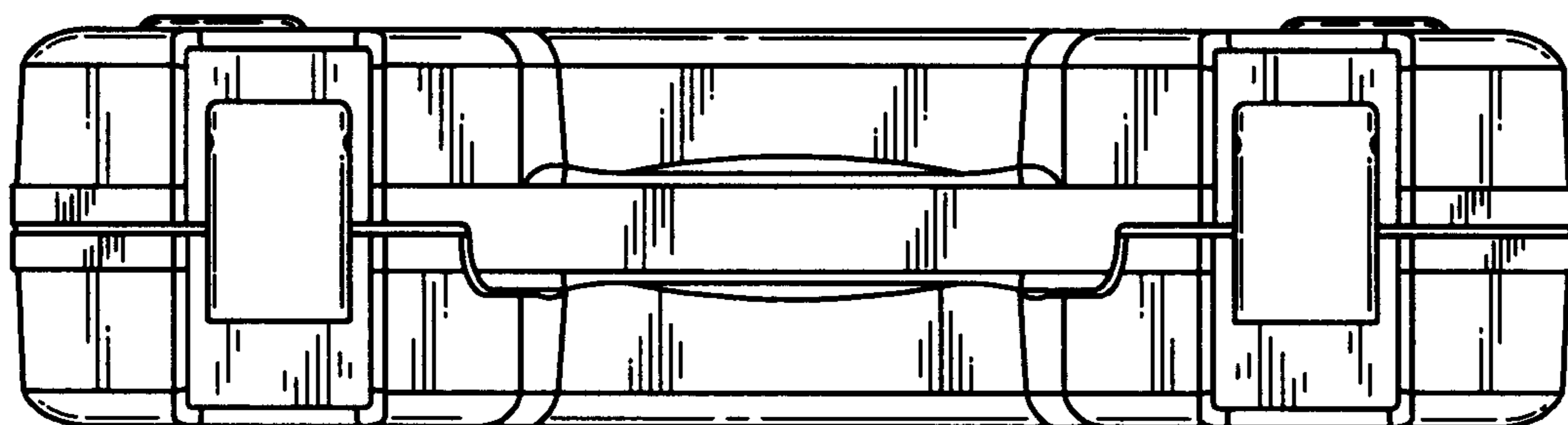


FIG. 6

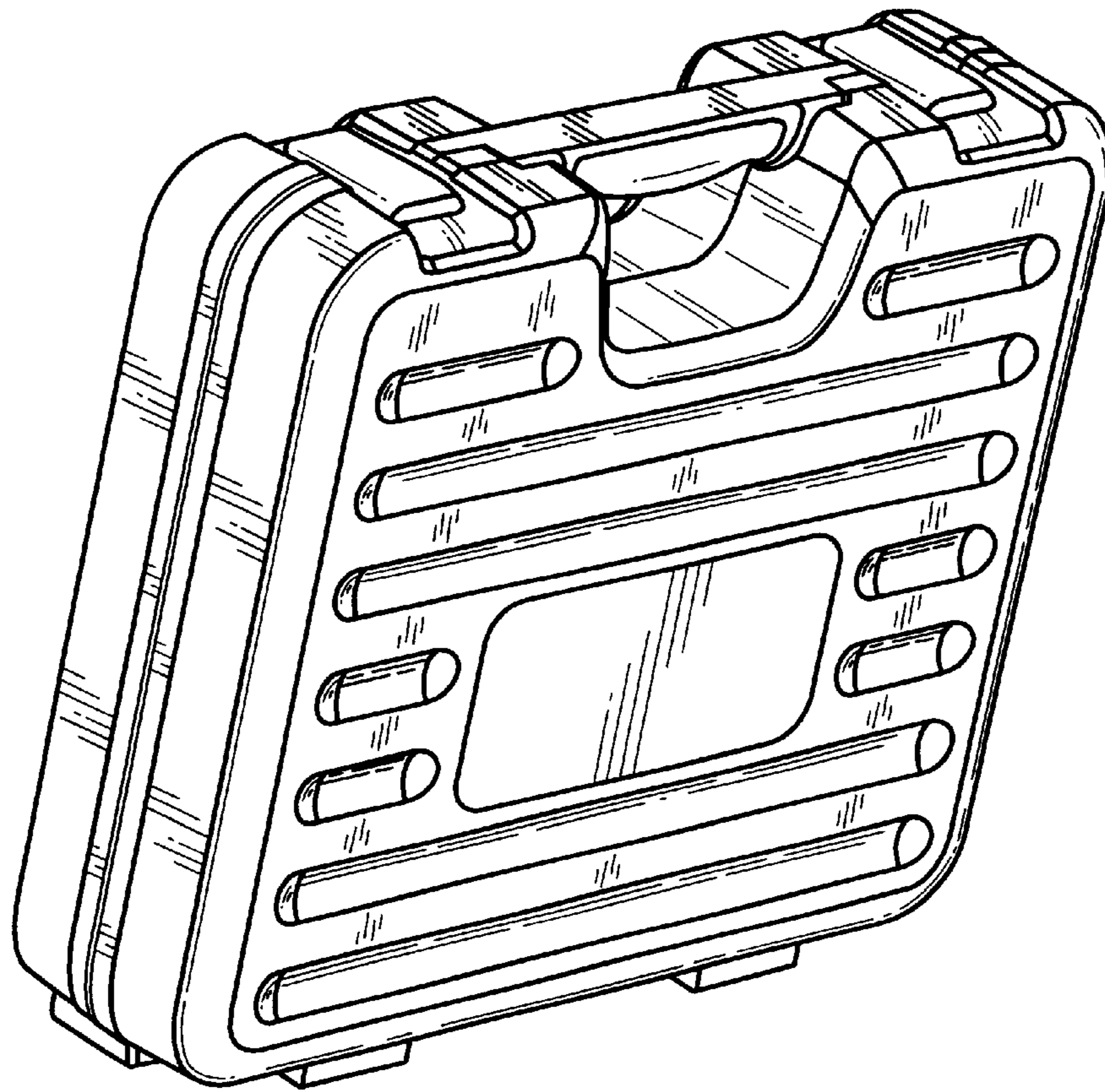


FIG. 7