



US00D530912S

(12) **United States Design Patent** (10) **Patent No.:** **US D530,912 S**
Wikle (45) **Date of Patent:** **** Oct. 31, 2006**

(54) **STORAGE CONTAINER**

(75) Inventor: **David L. Wikle**, York, PA (US)

(73) Assignee: **Black & Decker Inc.**, Newark, DE (US)

(**) Term: **14 Years**

(21) Appl. No.: **29/228,933**

(22) Filed: **Apr. 29, 2005**

(51) **LOC (8) Cl.** **03-01**

(52) **U.S. Cl.** **D3/281**

(58) **Field of Classification Search** D3/273,
D3/276, 281, 282, 291, 294, 295, 905; 206/349,
206/372, 373; 312/902; 190/110, 111, 112
See application file for complete search history.

(56) **References Cited**

U.S. PATENT DOCUMENTS

D364,957 S	*	12/1995	Turbowitz	D3/276
D377,714 S	*	2/1997	Fenton et al.	D3/260
D429,884 S	*	8/2000	Zurwelle et al.	D3/281
D437,684 S	*	2/2001	Streich et al.	D3/273
D447,634 S	*	9/2001	Snider	D3/294
D448,167 S	*	9/2001	Pangerc et al.	D3/294
D458,748 S	*	6/2002	Snider	D3/282
D474,340 S	*	5/2003	Vasudeva	D3/282
D478,209 S	*	8/2003	Chen	D3/282
D478,725 S		8/2003	Vasudeva et al.		
D495,488 S		9/2004	Singh		

* cited by examiner

Primary Examiner—Philip S. Hyder

(74) *Attorney, Agent, or Firm*—Harness, Dickey & Pierce, P.L.C.

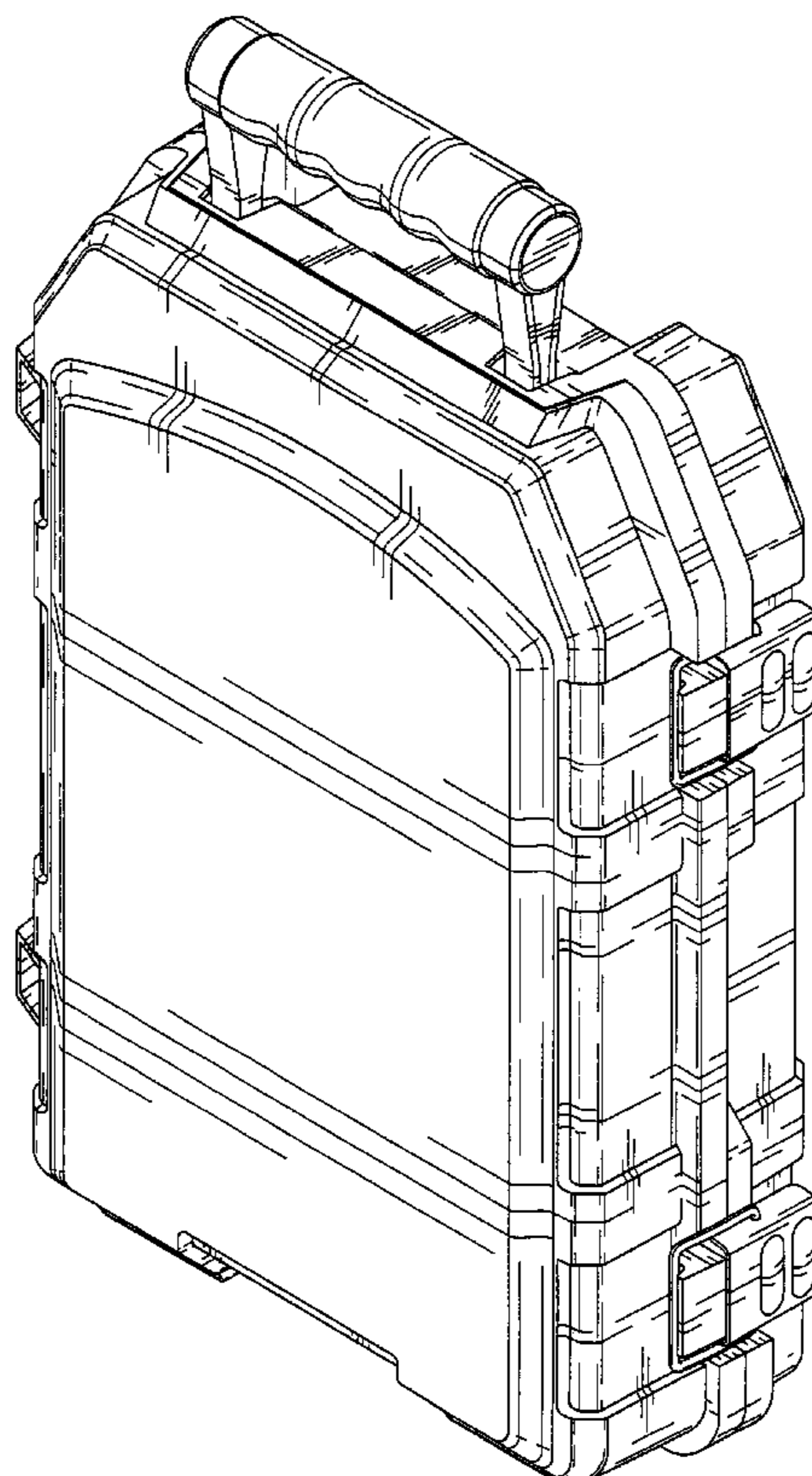
(57) **CLAIM**

The ornamental design for a storage container, as shown and described.

DESCRIPTION

FIG. 1 is a perspective view of a storage container;
FIG. 2 is a front plan view thereof;
FIG. 3 is a back plan view thereof;
FIG. 4 is a right side view thereof;
FIG. 5 is a left side view thereof;
FIG. 6 is a bottom view thereof;
FIG. 7 is a top view thereof;
FIG. 8 is a perspective view of a second embodiment of a storage container, the second embodiment including the interior of the storage container;
FIG. 9 is a front plan view thereof;
FIG. 10 is a back plan view thereof;
FIG. 11 is a right side view thereof;
FIG. 12 is a left side view thereof;
FIG. 13 is a bottom view thereof;
FIG. 14 is a top view thereof;
FIG. 15 is a perspective view of the storage container in an open position; and,
FIG. 16 is a front plan view of the interior of the storage container.

1 Claim, 12 Drawing Sheets



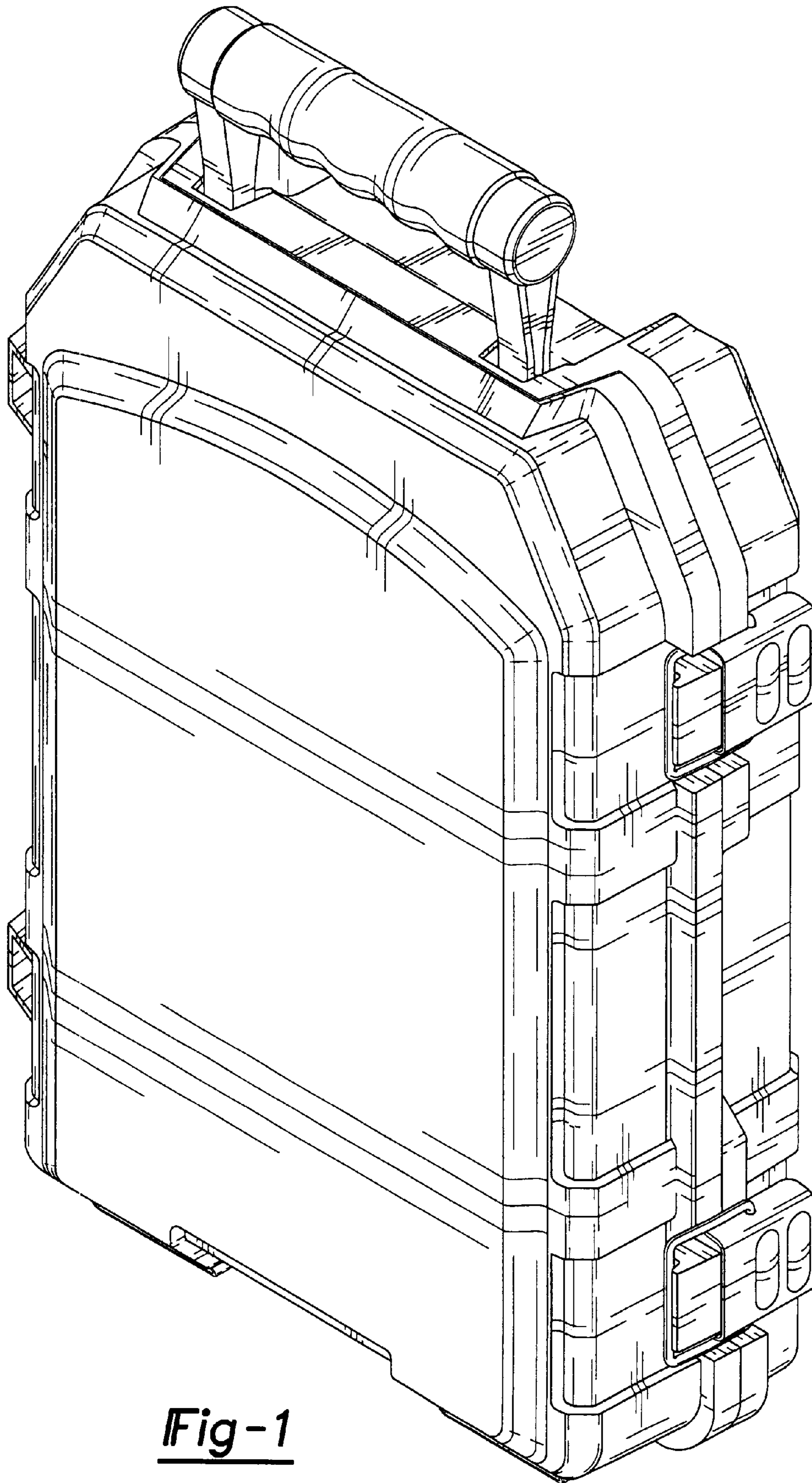


Fig-1

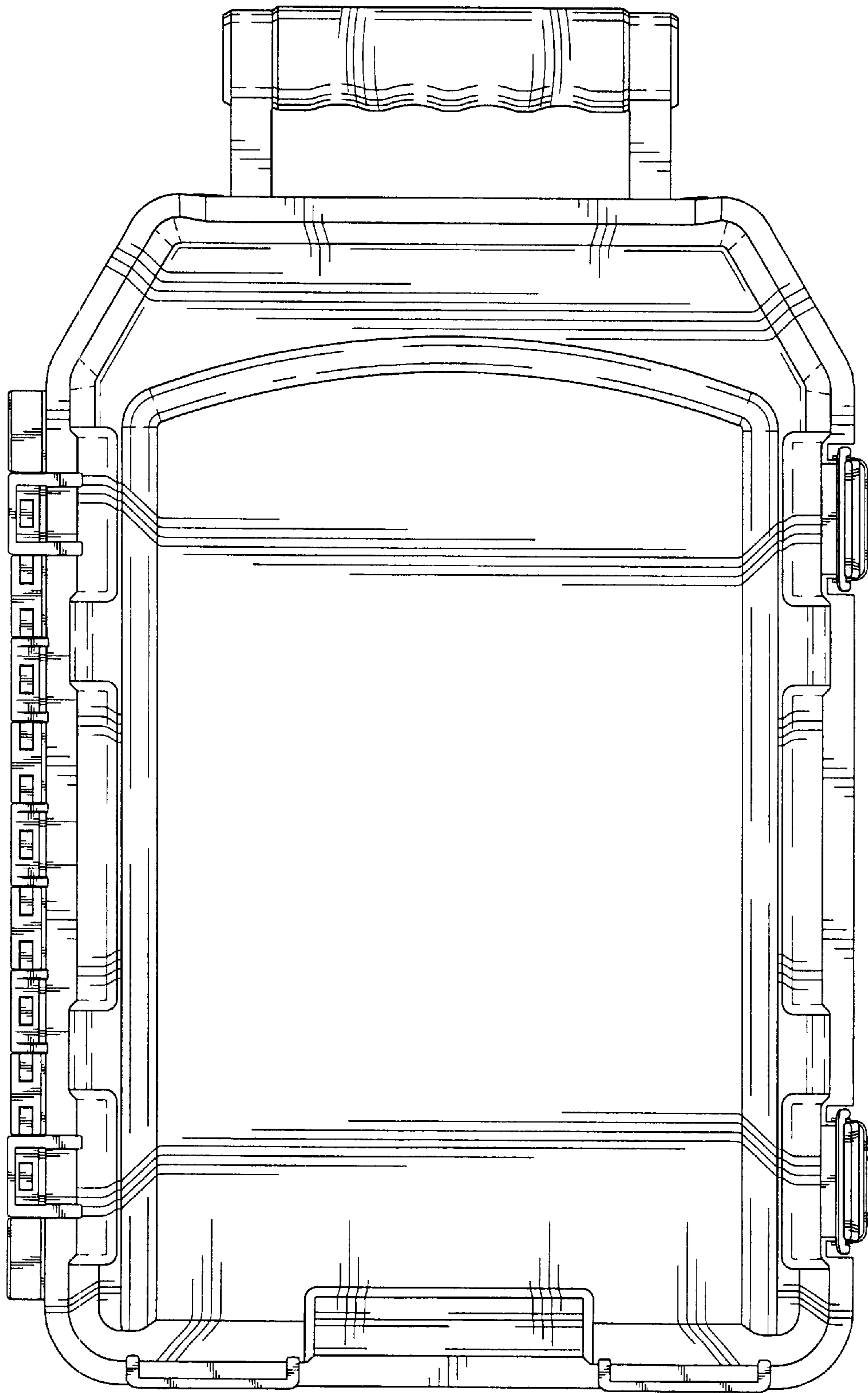


Fig-2

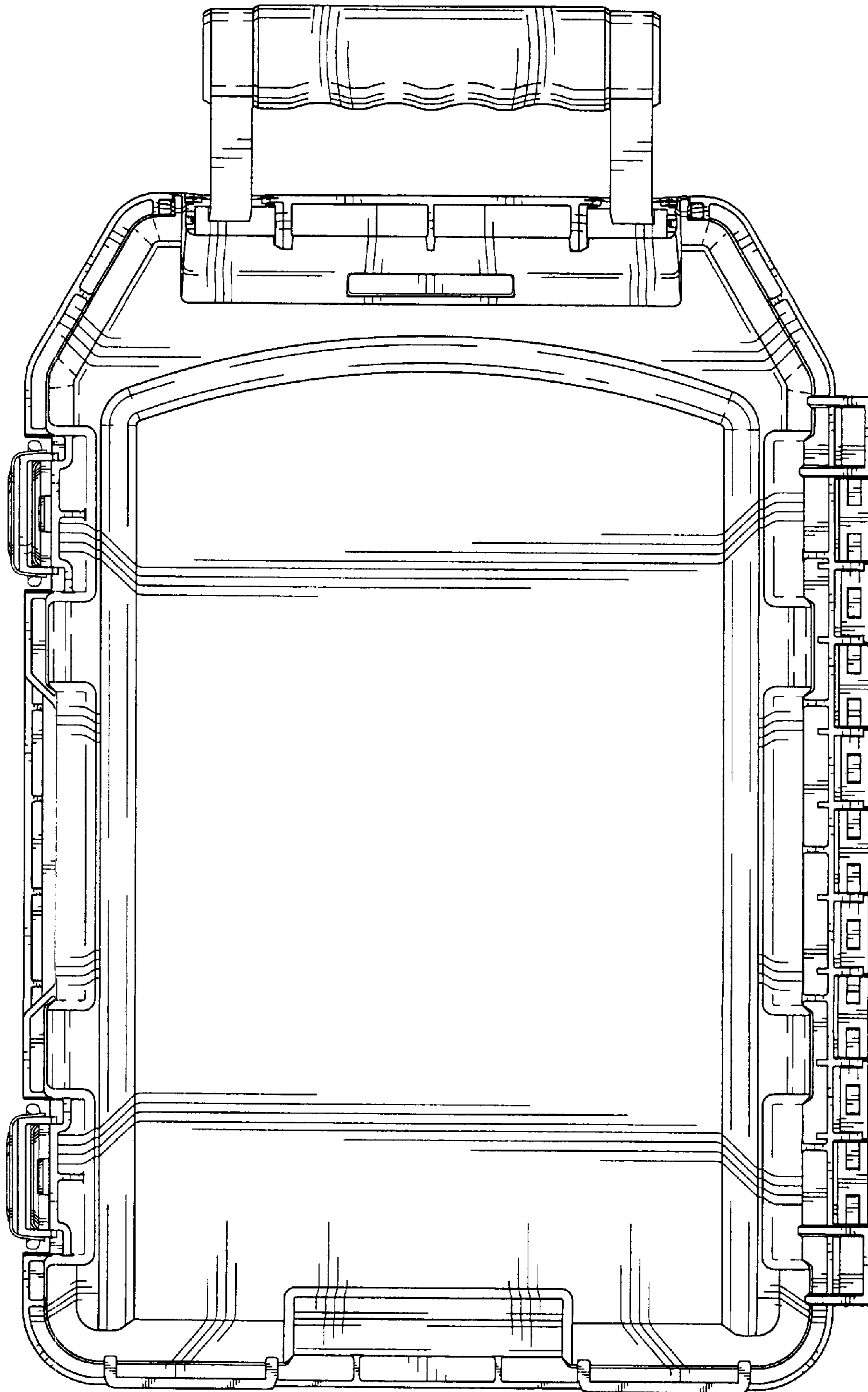


Fig-3

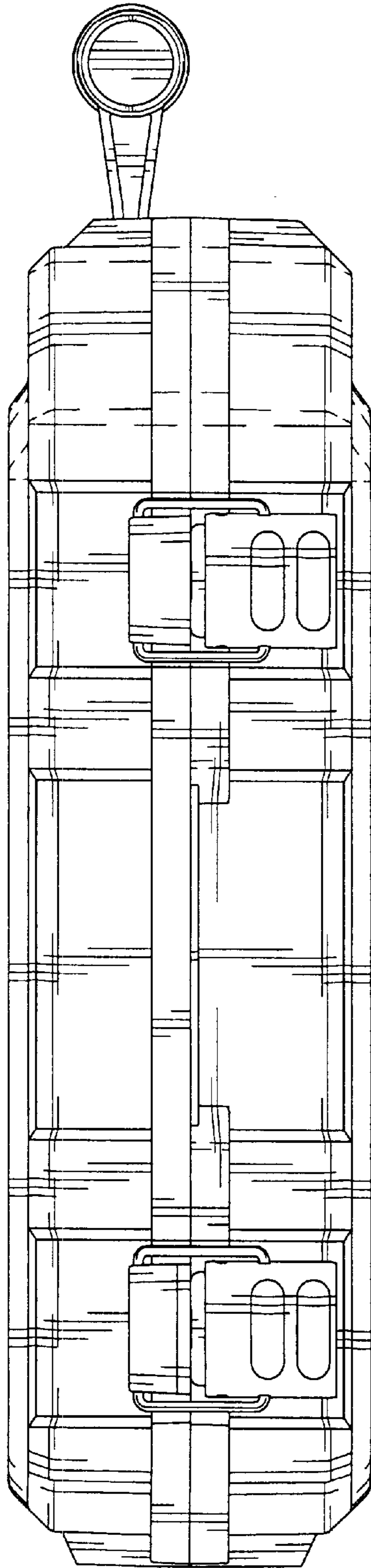


Fig-4

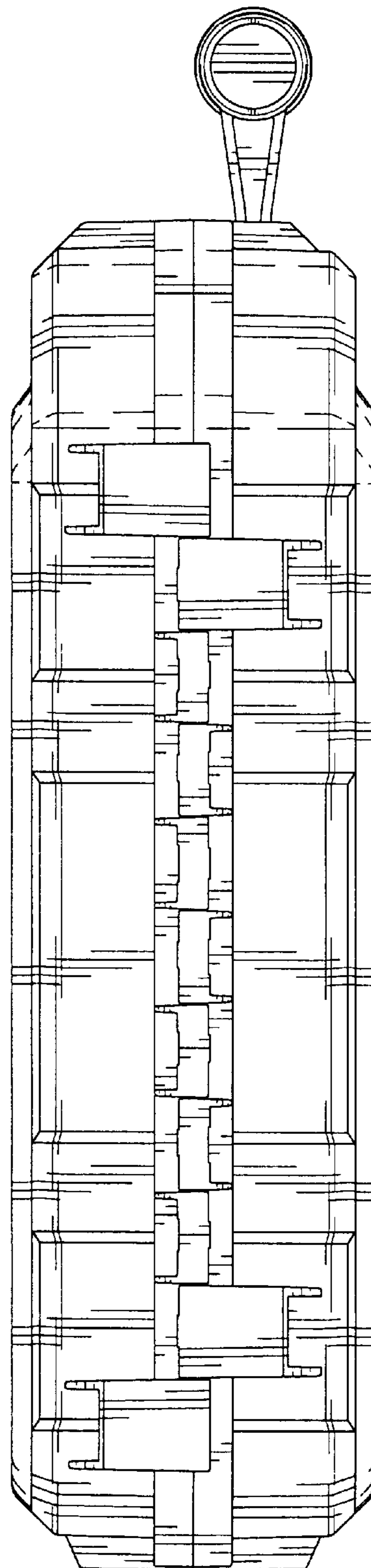


Fig-5

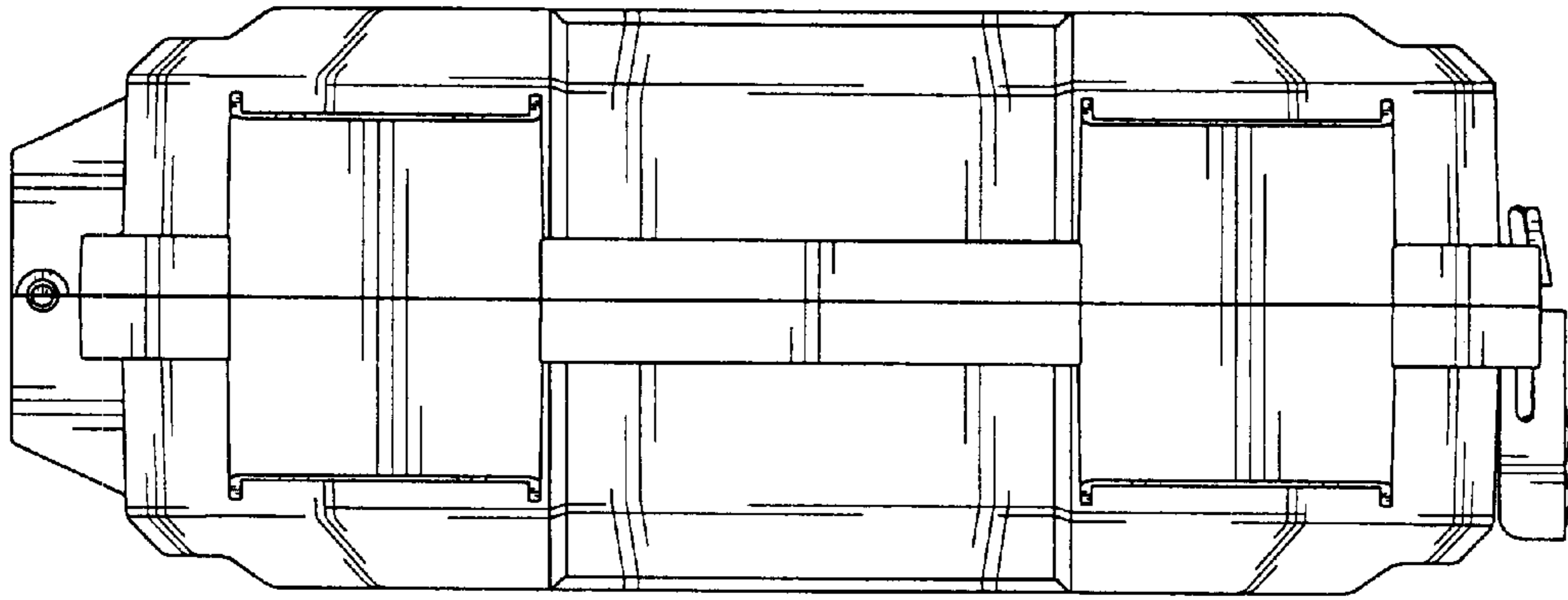


Fig-6

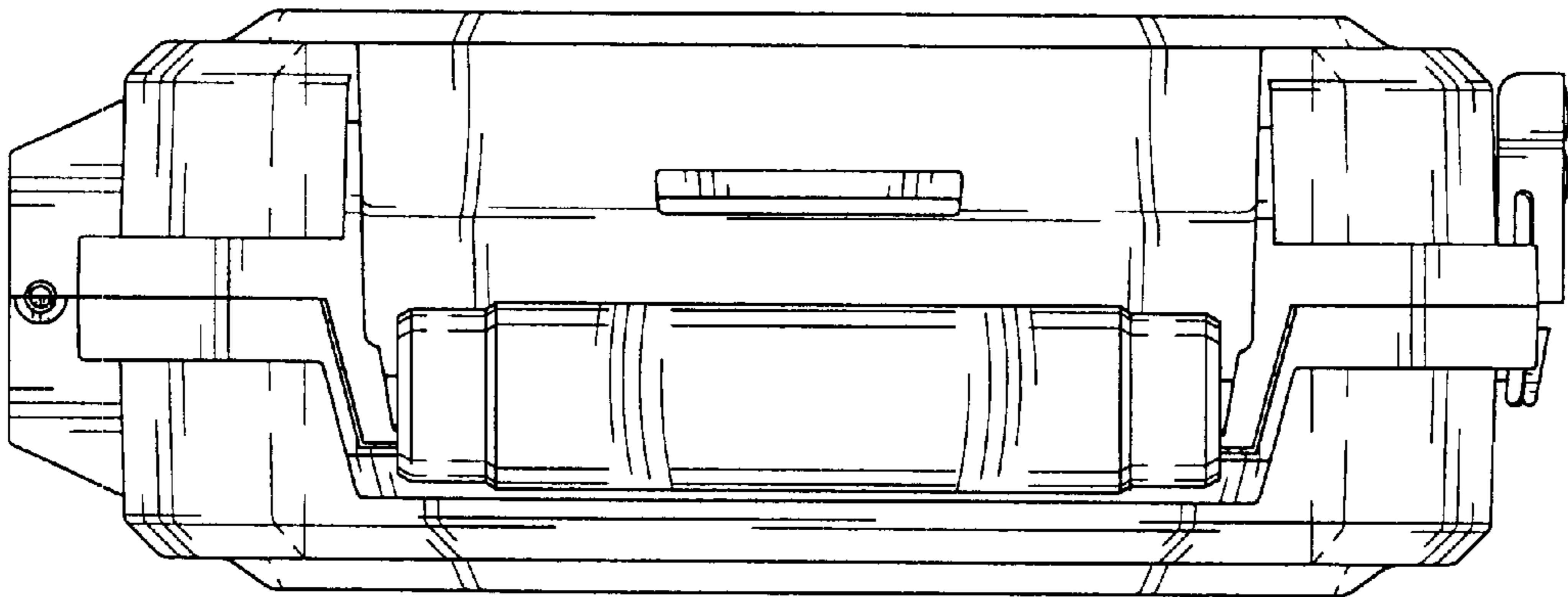


Fig-7

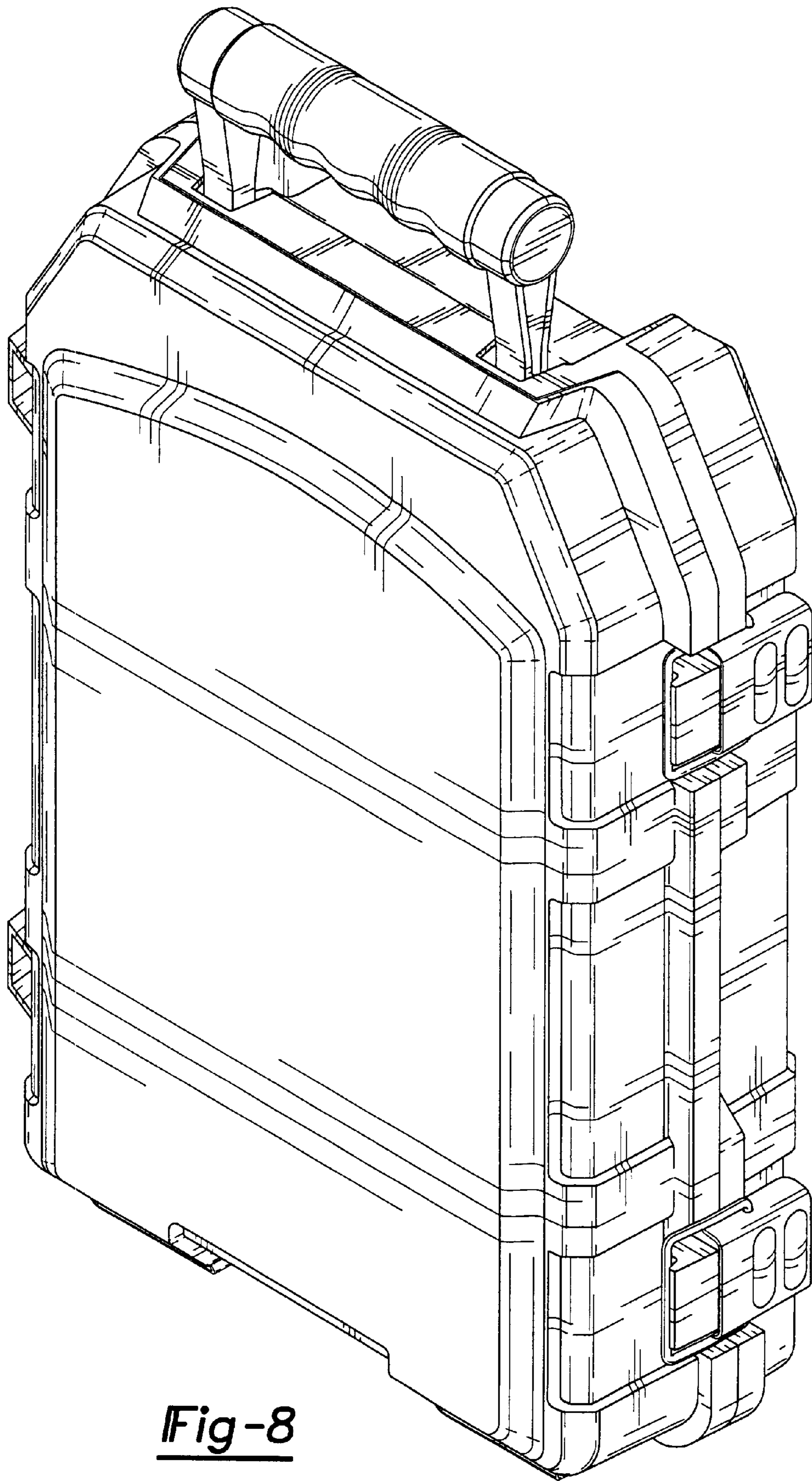


Fig-8

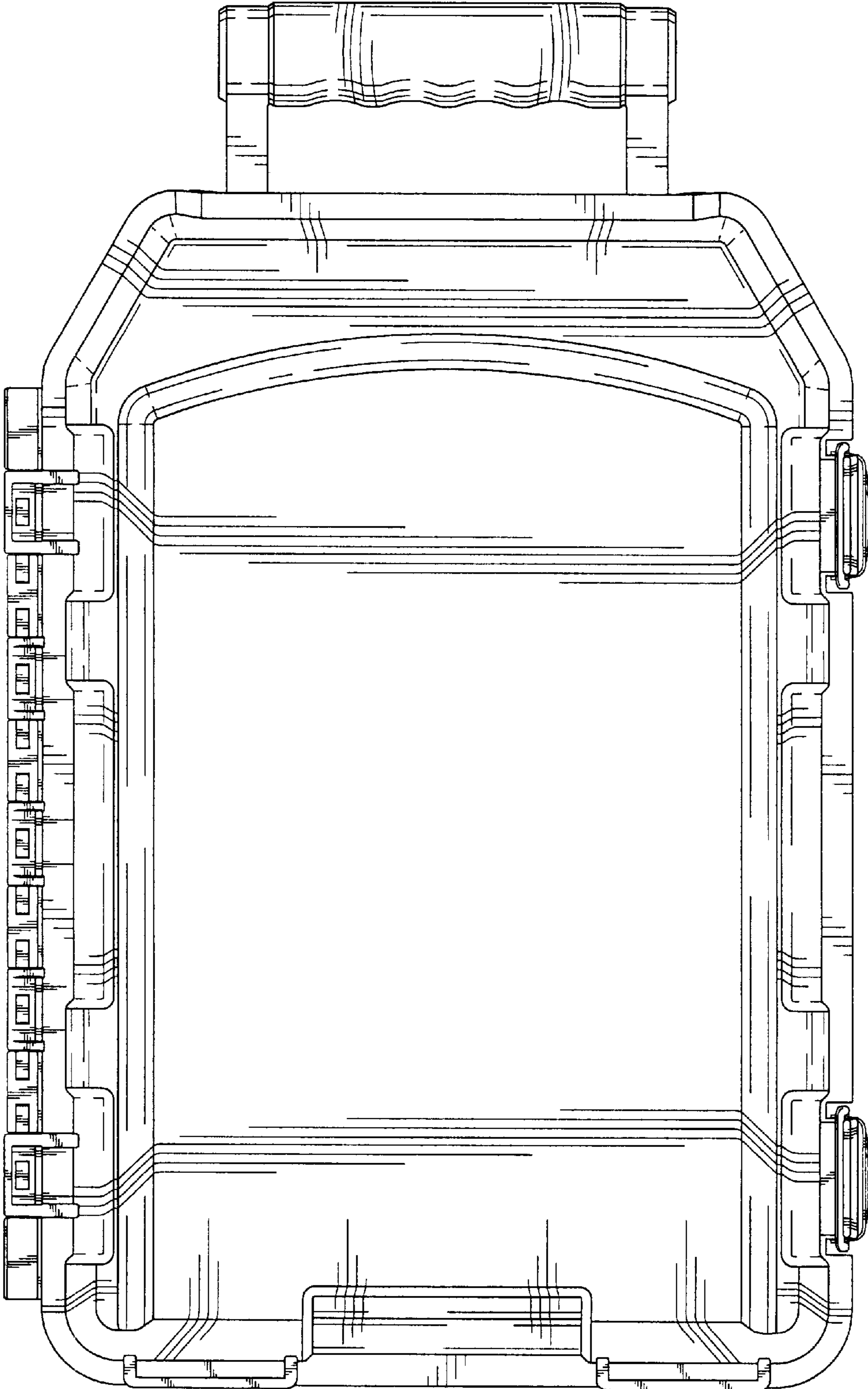


Fig-9

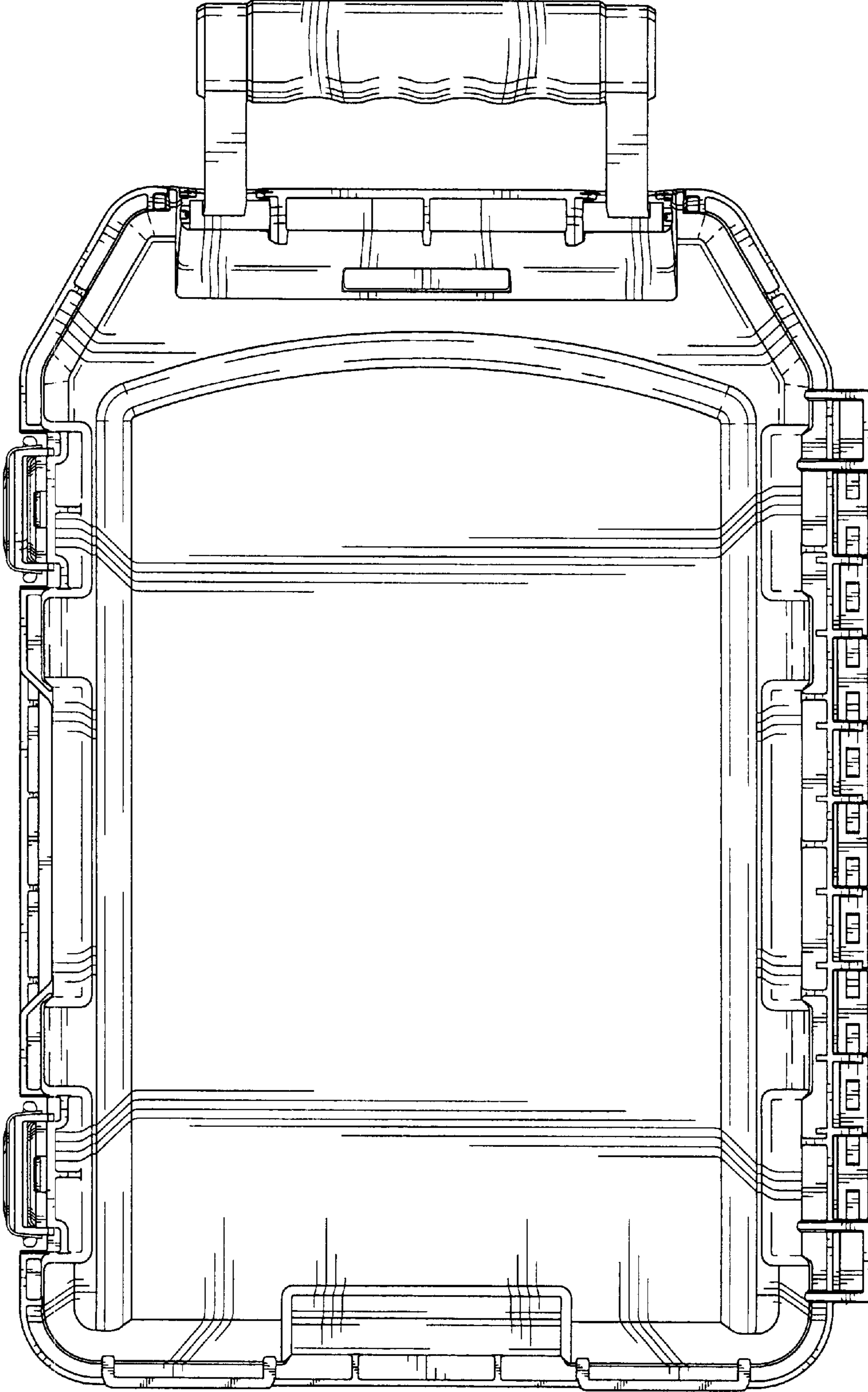


Fig-10

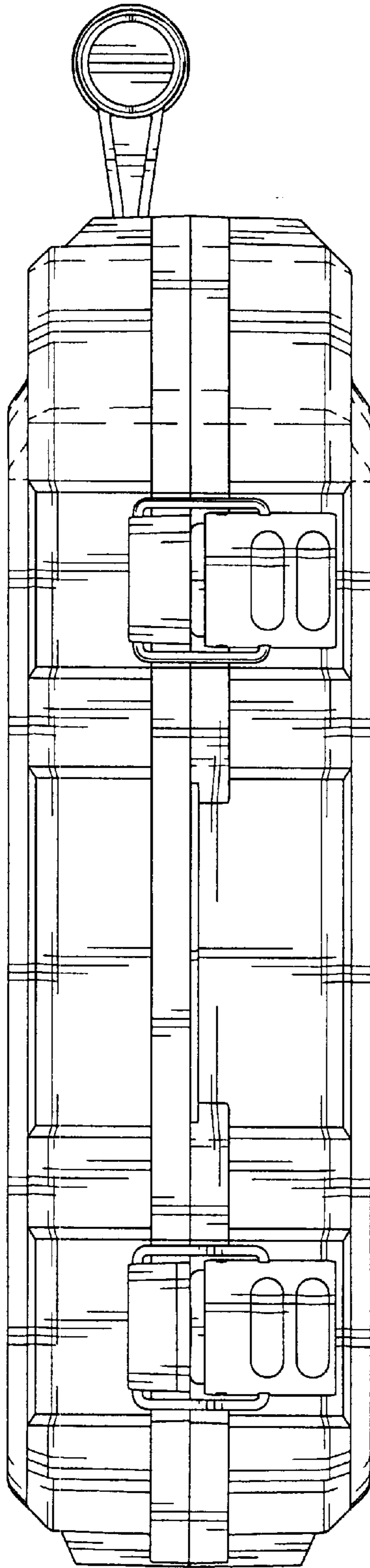


Fig-11

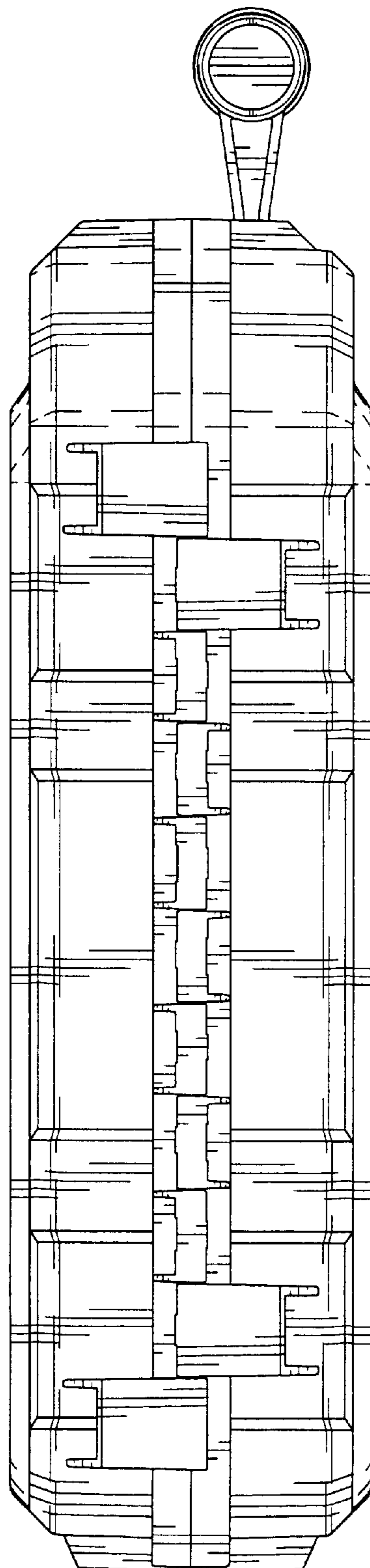


Fig-12

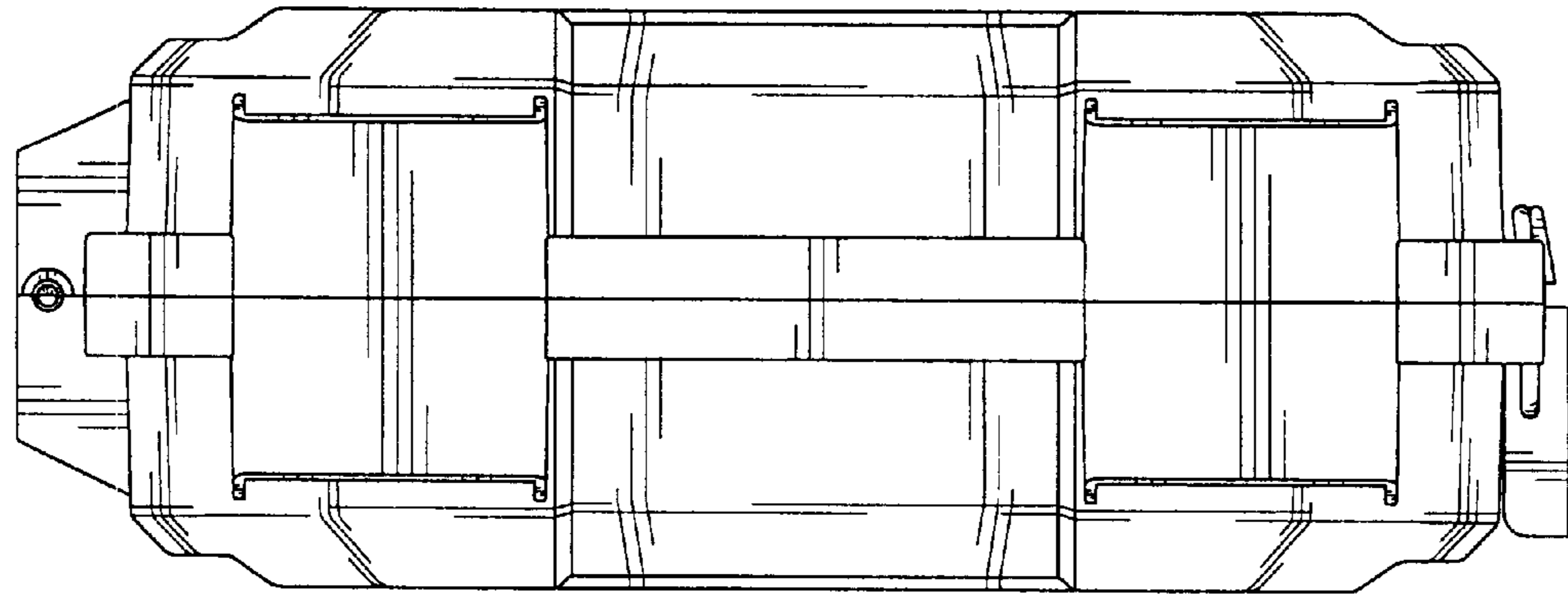


Fig-13

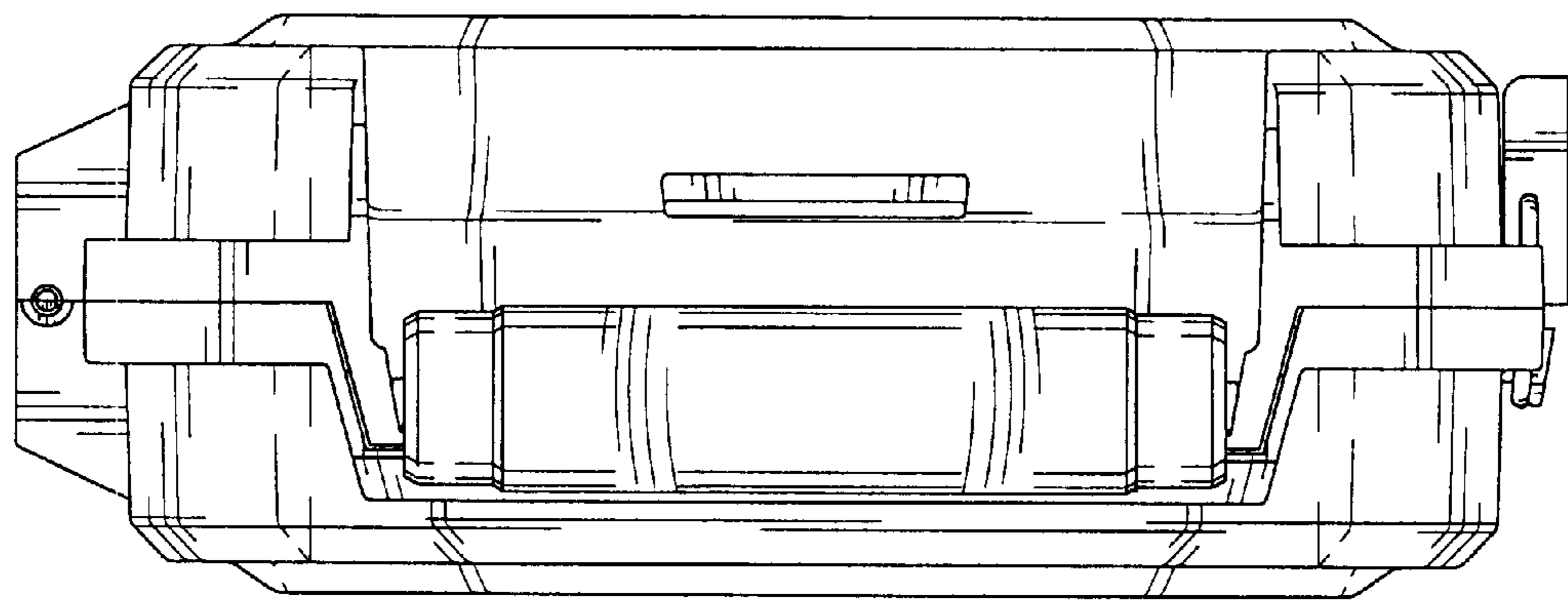


Fig-14

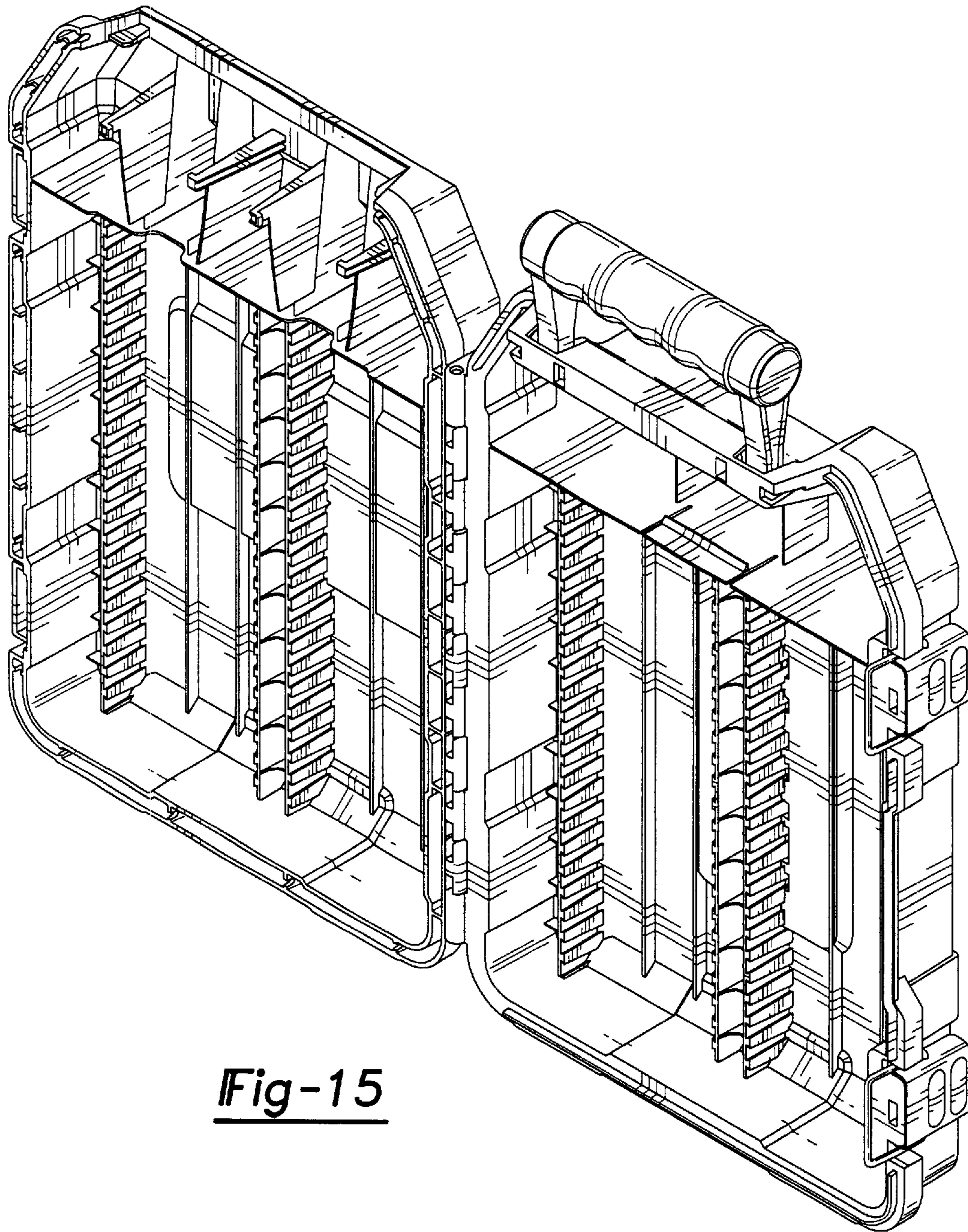


Fig-15

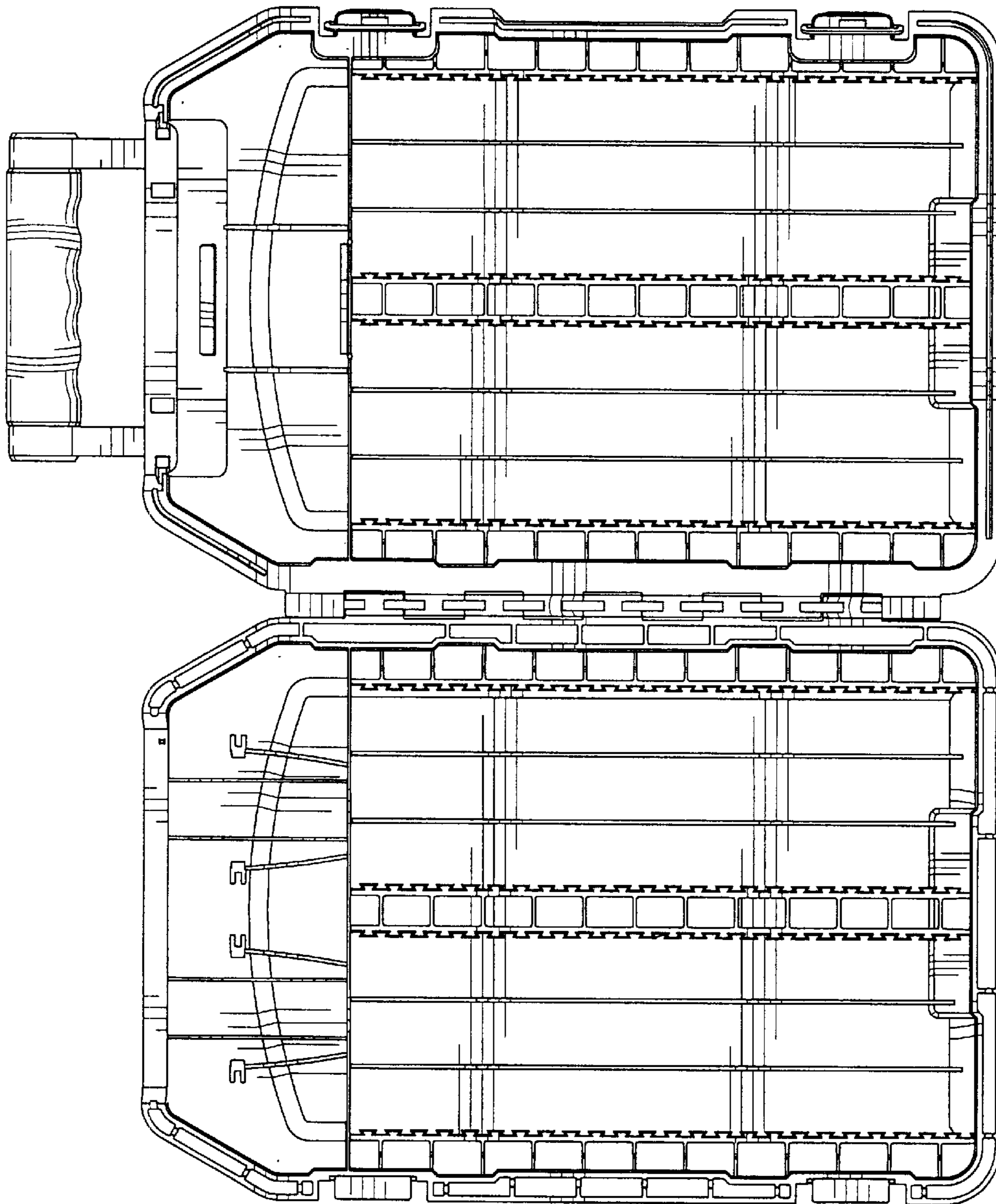


Fig-16