



US00D530911S

(12) **United States Design Patent**
Guitay

(10) **Patent No.:** **US D530,911 S**

(45) **Date of Patent:** **** Oct. 31, 2006**

- (54) **BOX**
- (75) Inventor: **Louis Paul Guitay**, Crans-sur-Sierre (CH)
- (73) Assignee: **LPG World S.A.M.**, 6eme Etage (MC)
- (**) Term: **14 Years**
- (21) Appl. No.: **29/254,395**
- (22) Filed: **Feb. 22, 2006**

Related U.S. Application Data

(63) Continuation of application No. 29/218,814, filed on Sep. 30, 2004, now abandoned.

(30) **Foreign Application Priority Data**

Apr. 14, 2004 (EM) 165188

- (51) **LOC (8) Cl.** **03-01**
- (52) **U.S. Cl.** **D3/273; D9/428**
- (58) **Field of Classification Search** D3/203.1-203.3, D3/205, 218, 234, 238, 263-264, 269, 273-274, D3/271.1-271.2, 294, 901, 903, 904; D9/414, D9/422, 424, 428; D14/402-403; D23/364, D23/366; 206/6.1, 301, 457, 822-823
See application file for complete search history.

(56) **References Cited**

U.S. PATENT DOCUMENTS

- 1,388,094 A 8/1921 Buttigieg
- D113,044 S 1/1939 Long
- 2,250,433 A 7/1941 Dean
- D221,896 S 9/1971 Richardson
- 5,209,345 A 5/1993 Haugabook

- D343,515 S 1/1994 Monneret
- D369,593 S 5/1996 Ma
- D375,258 S 11/1996 Weder et al.
- 5,810,162 A 9/1998 Au et al.
- D401,061 S 11/1998 Au
- D422,847 S 4/2000 Hansen
- D435,555 S 12/2000 Swansey
- D450,697 S 11/2001 Fisher et al.
- D458,932 S 6/2002 Huang
- D473,232 S 4/2003 Fisher
- D475,282 S 6/2003 Snaith et al.
- D488,548 S 4/2004 Lablaine
- D491,721 S 6/2004 Brattesani
- D491,798 S 6/2004 Buthier
- D493,257 S 7/2004 McCorkindale
- D493,576 S 7/2004 Ward
- D505,955 S 6/2005 Fisher
- D511,568 S 11/2005 Wheatley
- D516,301 S * 3/2006 Chue D3/203.3

* cited by examiner

Primary Examiner—Philip S. Hyder
Assistant Examiner—RoseLynne (Ulm) Cody
(74) *Attorney, Agent, or Firm*—Burr & Brown

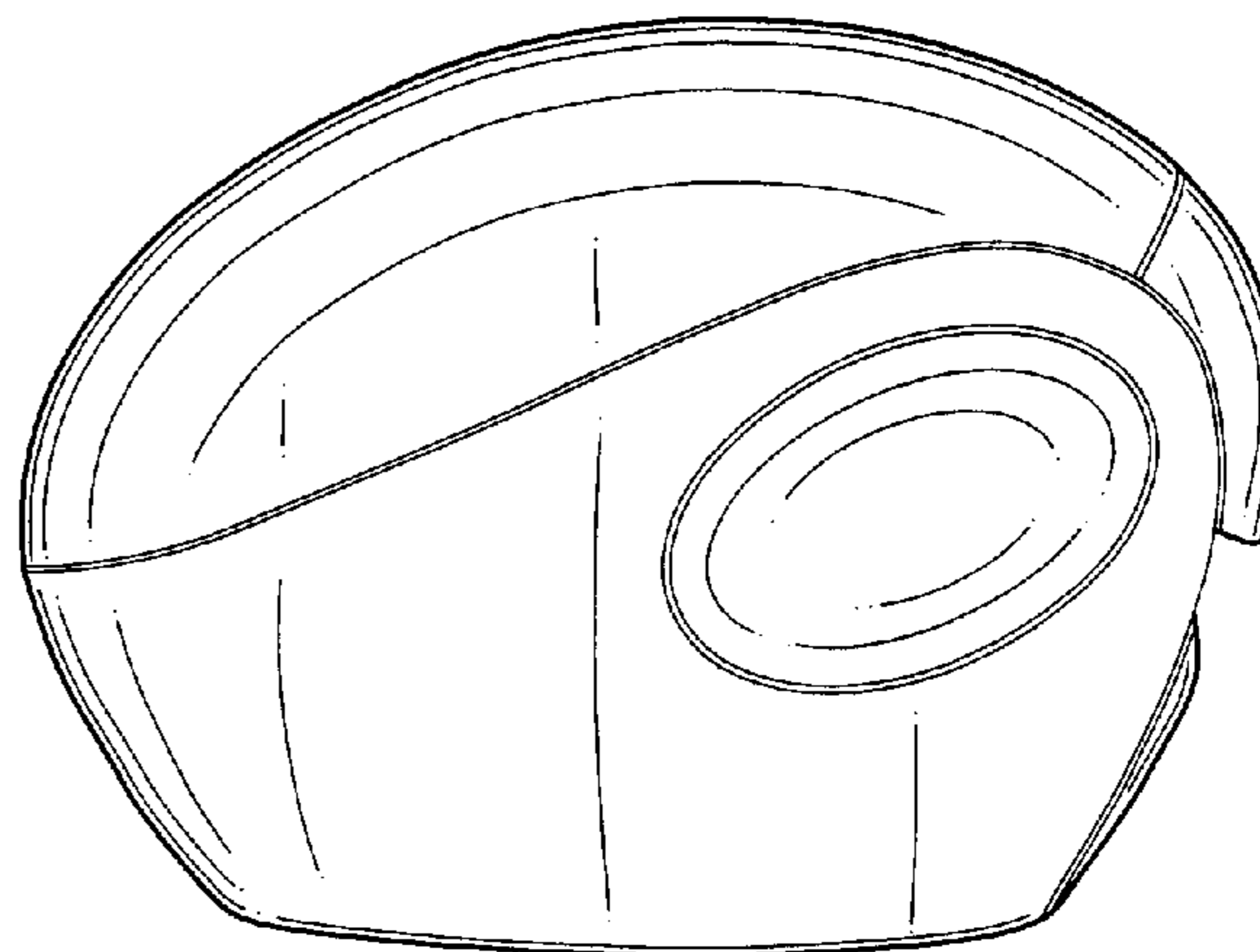
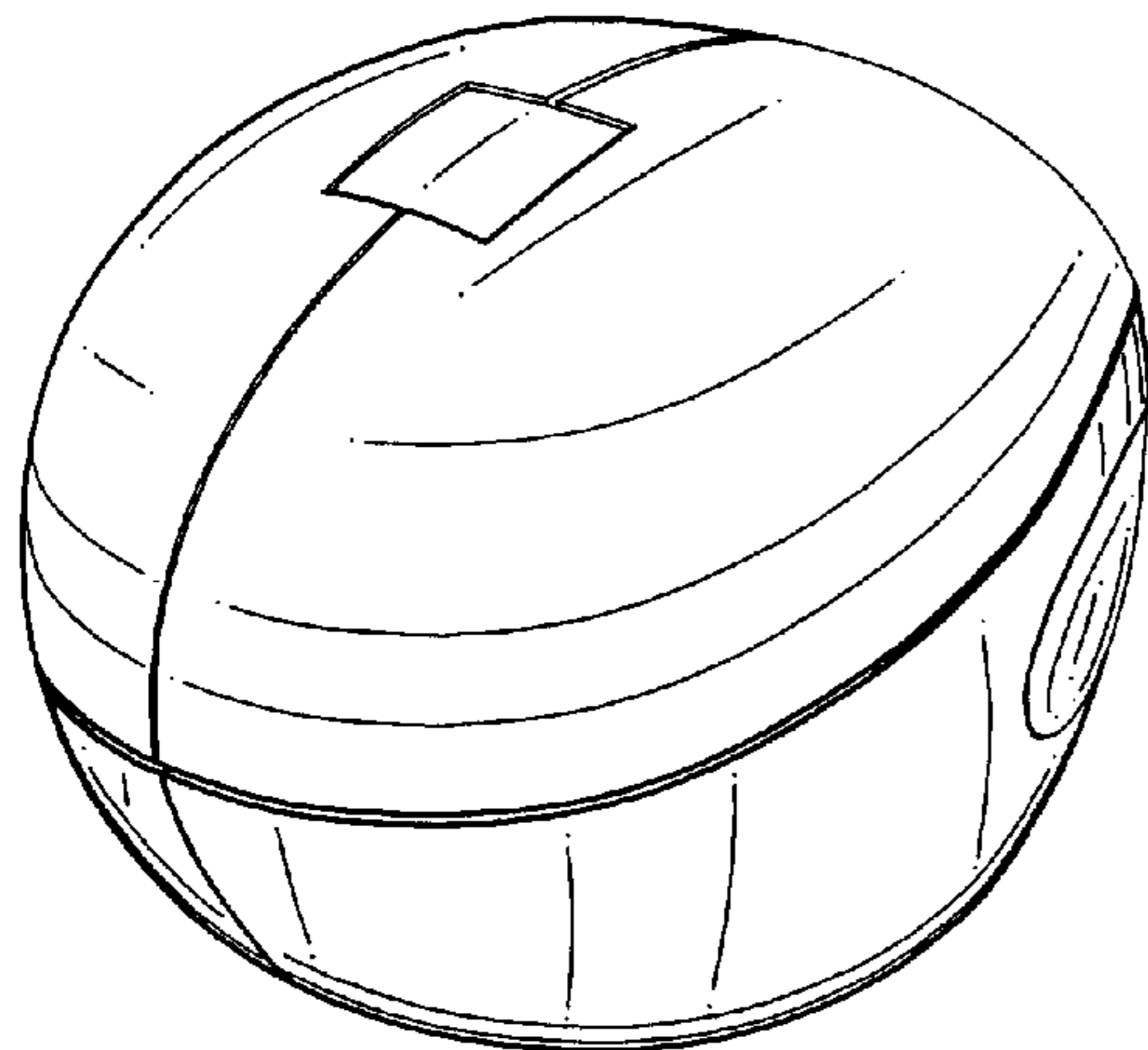
(57) **CLAIM**

The ornamental design for a box, as shown and described.

DESCRIPTION

FIG. 1 is a perspective view of a box illustrating my new Design;
FIG. 2 is a rear view thereof;
FIG. 3 is a top view thereof;
FIG. 4 is a left side view thereof;
FIG. 5 is a front view thereof; and,
FIG. 6 is a right side view thereof.

1 Claim, 2 Drawing Sheets



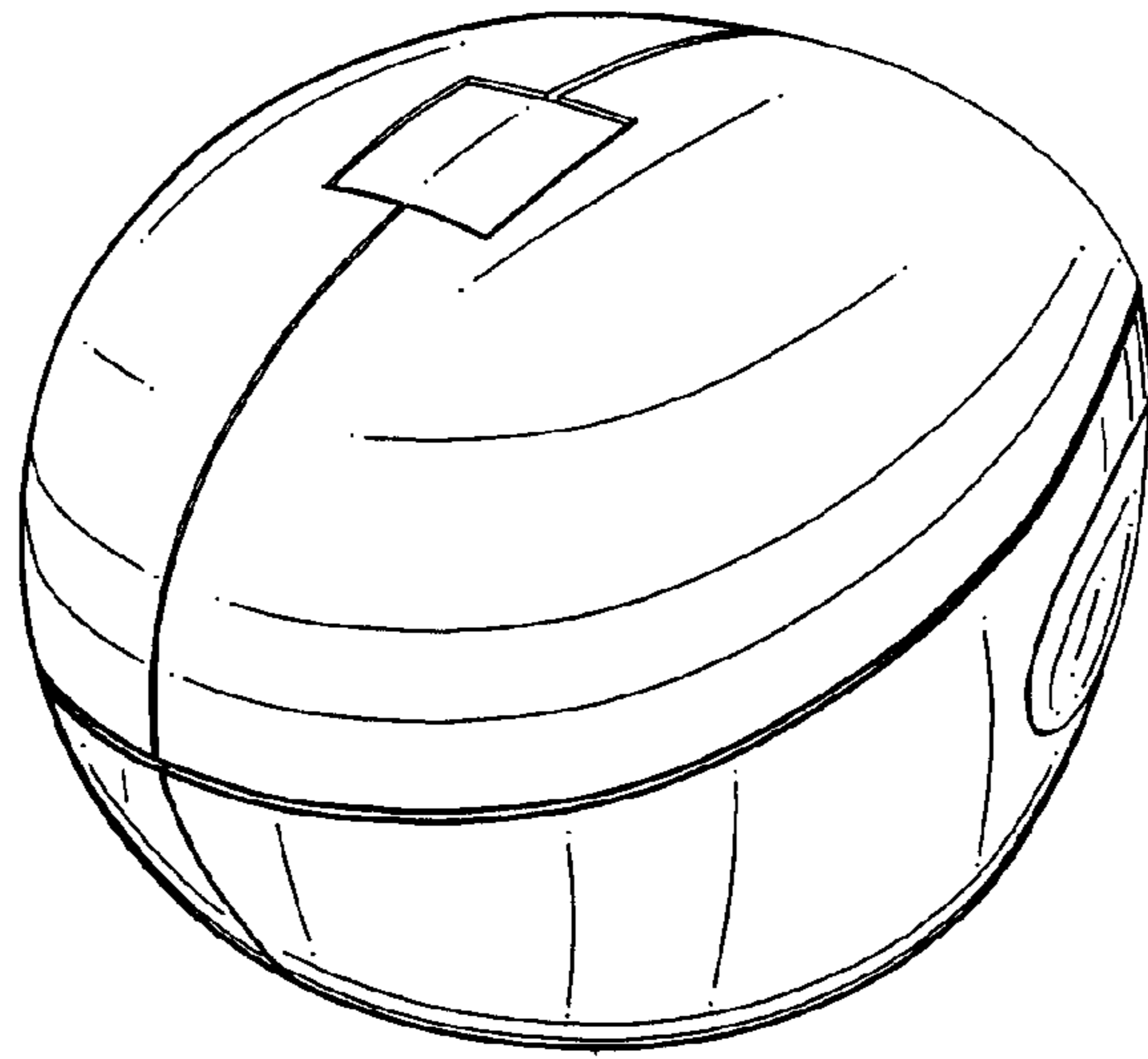


FIG.1

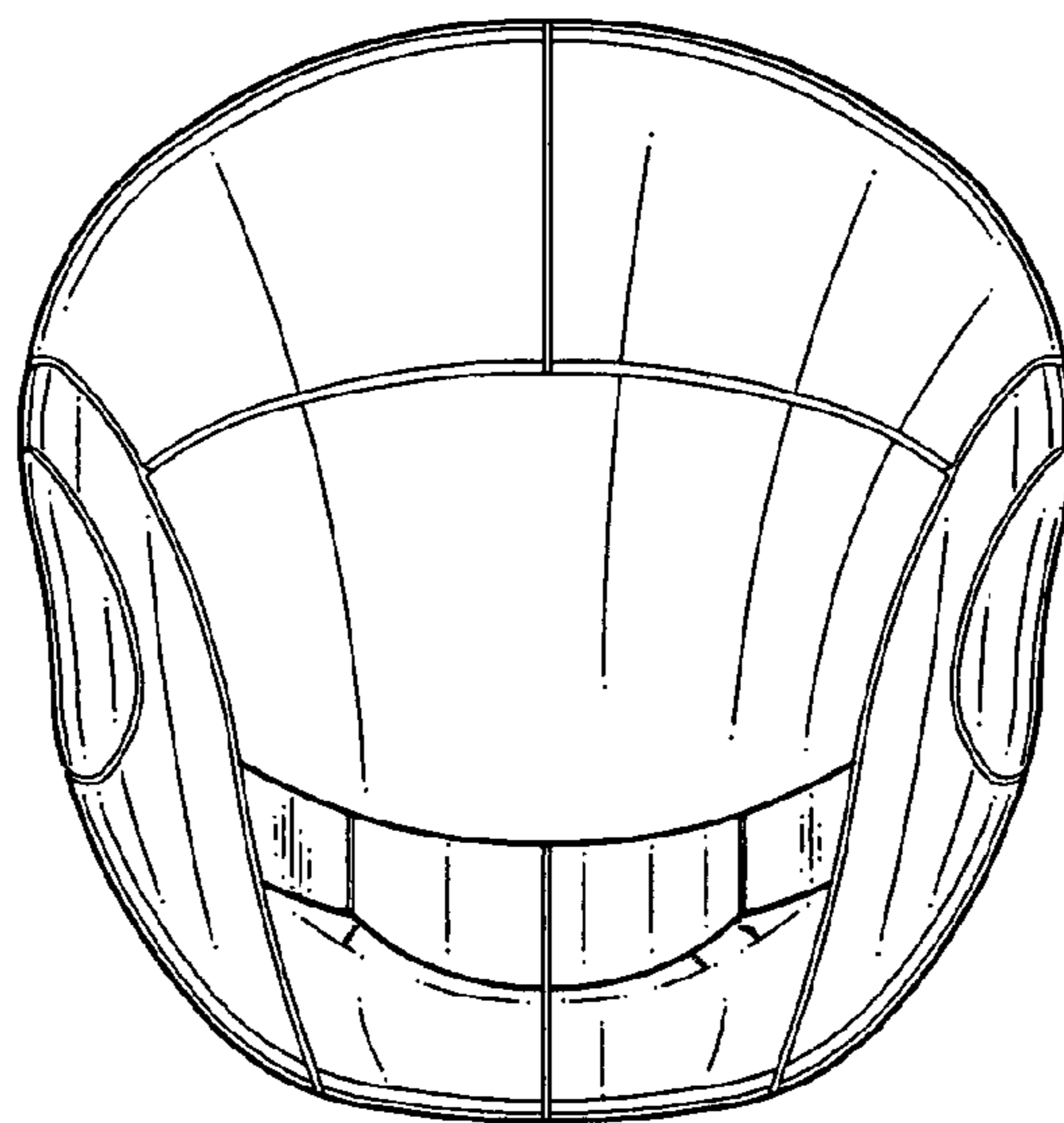


FIG.2

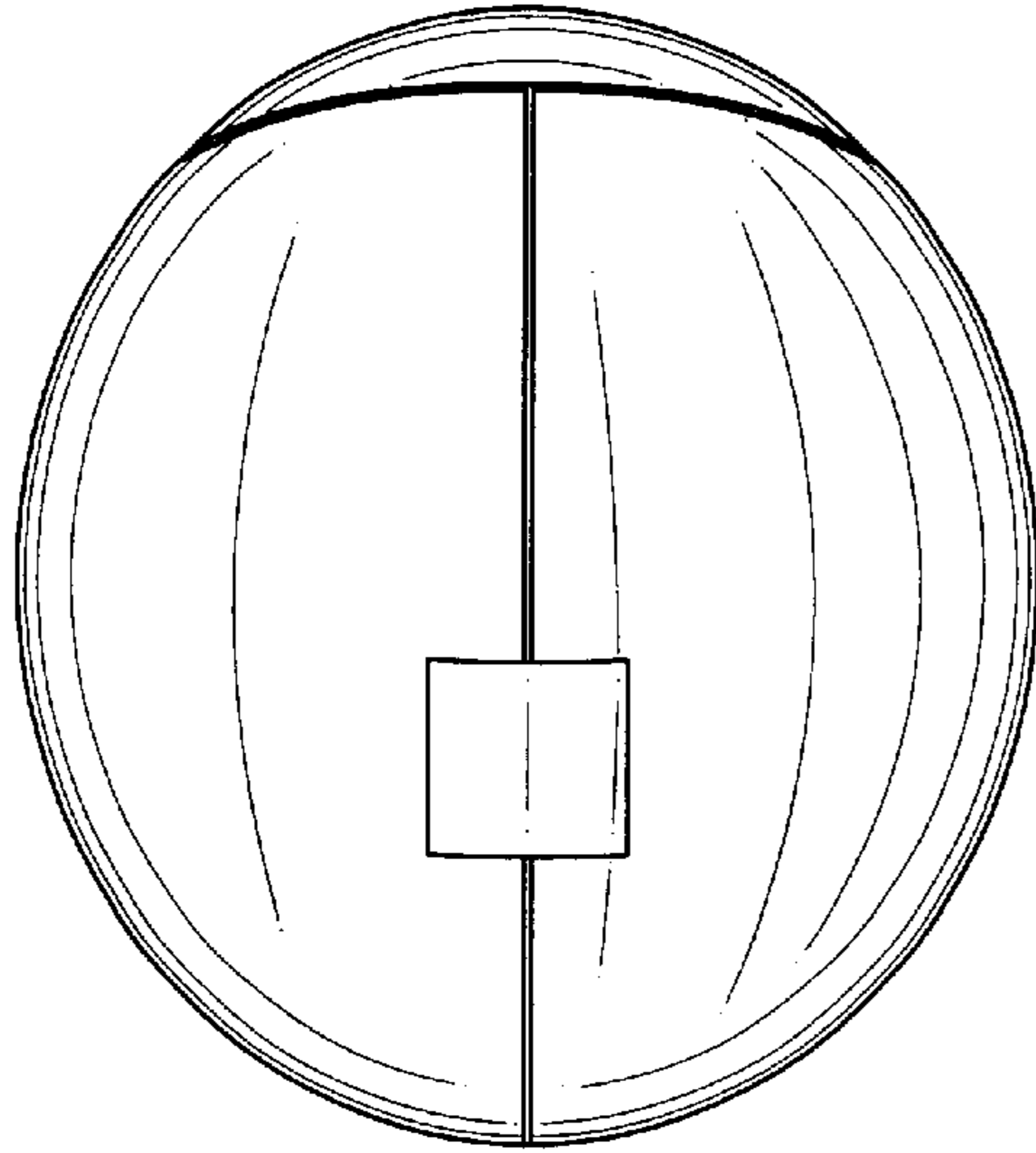


FIG.3

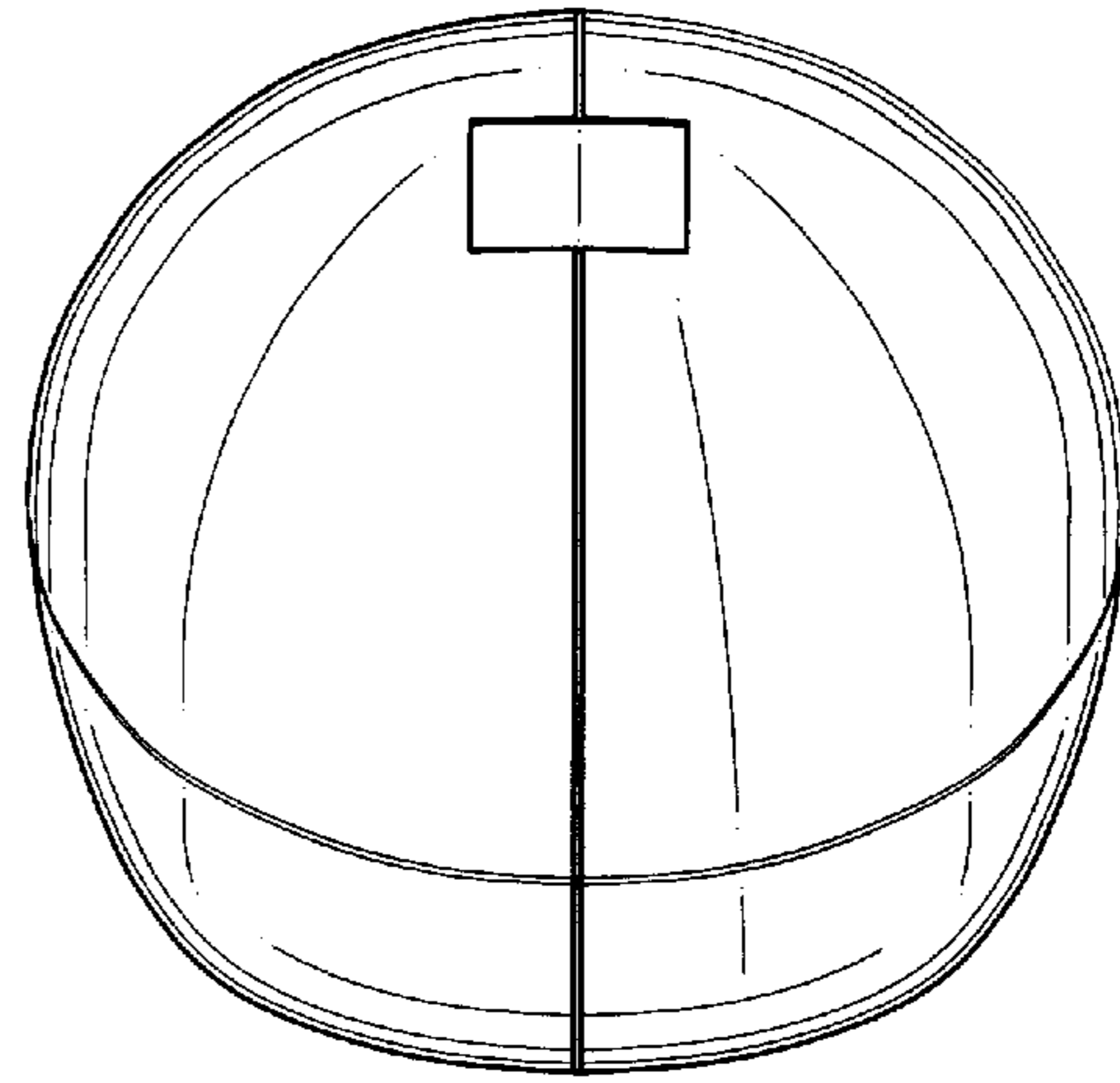


FIG.5

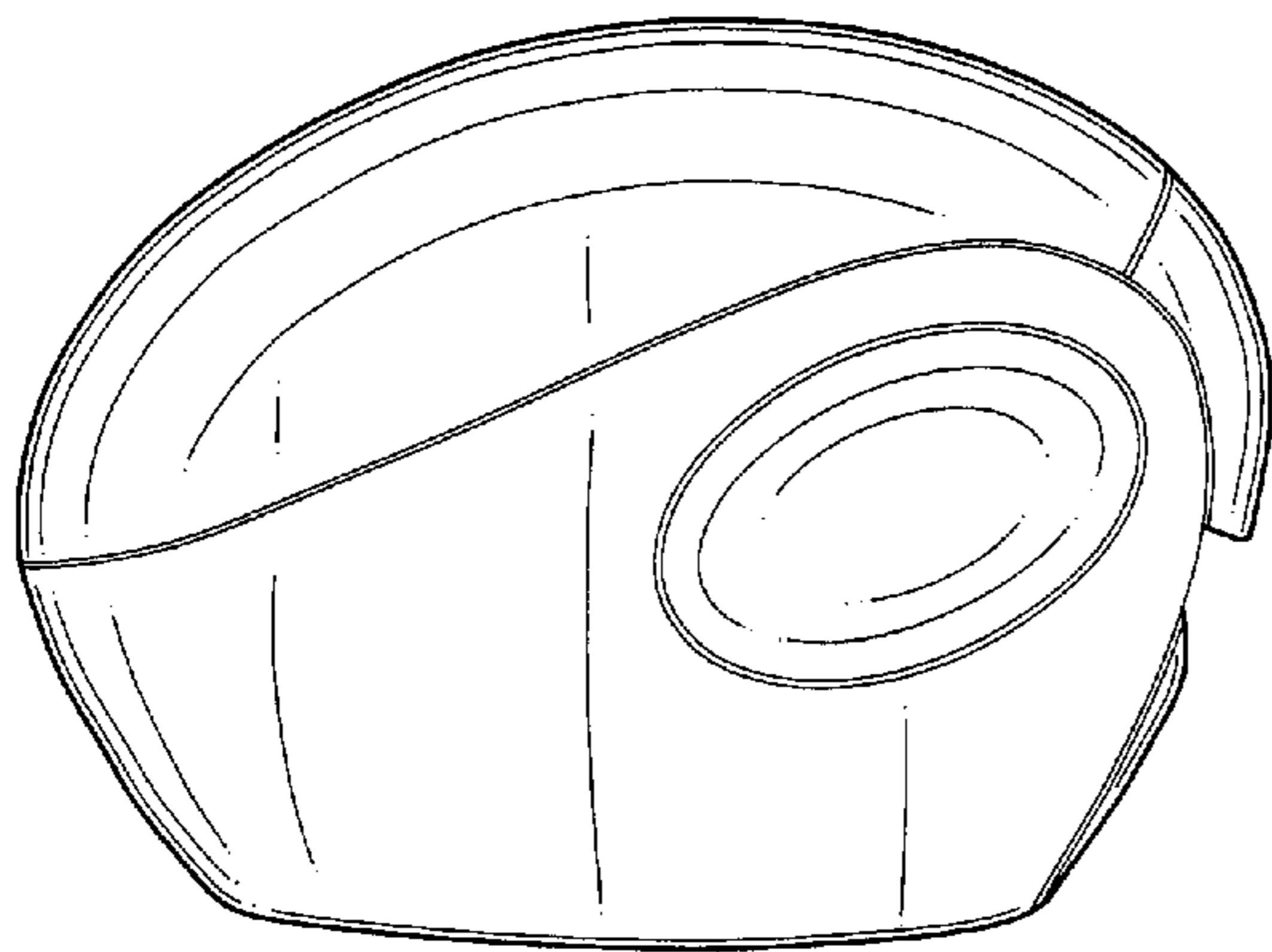


FIG.4

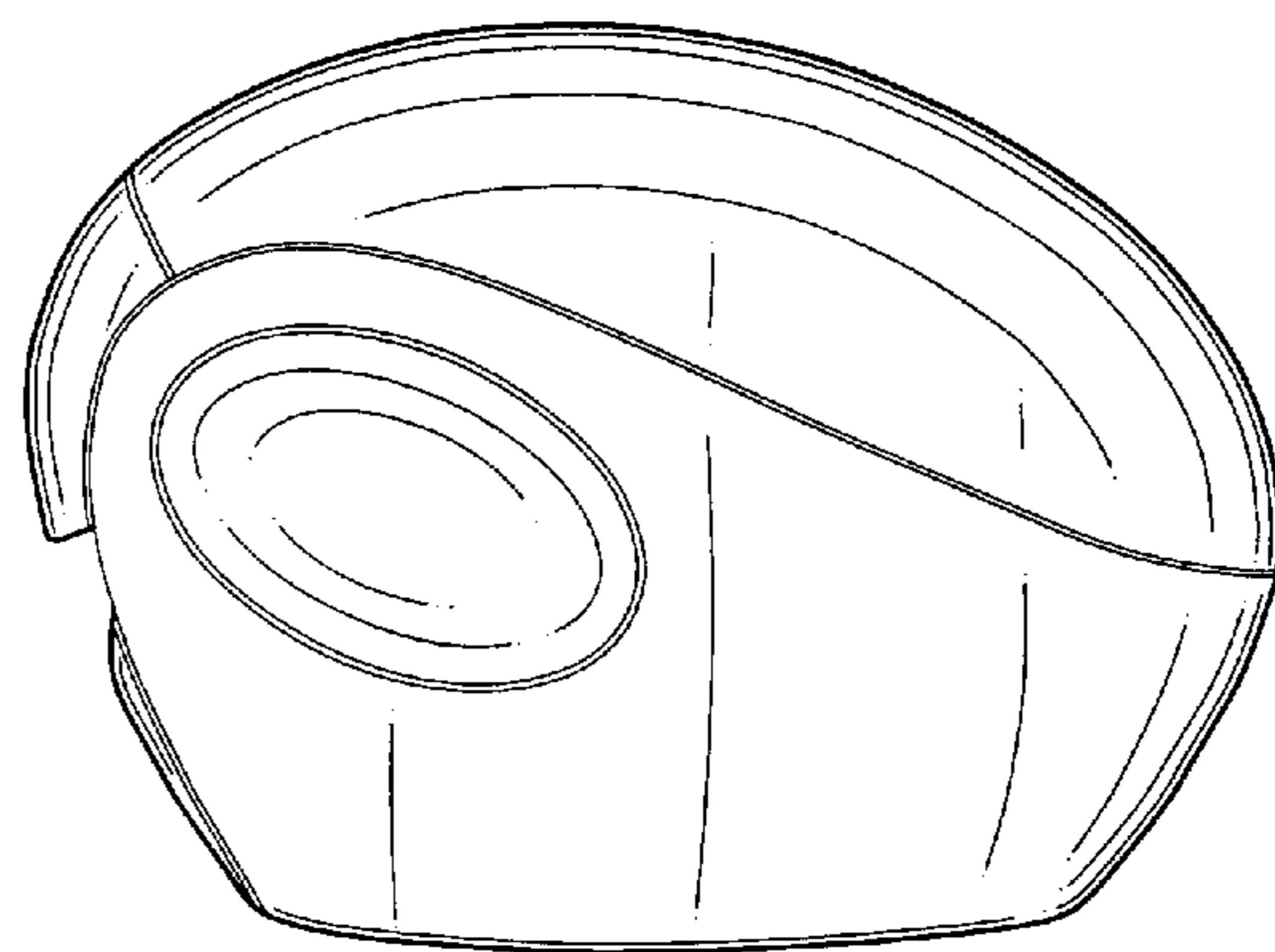


FIG.6