



US00D530910S

(12) **United States Design Patent**
Guyon

(10) **Patent No.:** **US D530,910 S**

(45) **Date of Patent:** **** Oct. 31, 2006**

(54) **HANDBAG**

(76) Inventor: **Isabelle Guyon**, 71 Boulevard
Montparnasse, 75006 Paris (FR)

(**) Term: **14 Years**

(21) Appl. No.: **29/226,948**

(22) Filed: **Apr. 5, 2005**

(51) **LOC (8) Cl.** **03-01**

(52) **U.S. Cl.** **D3/246**

(58) **Field of Classification Search** D3/232,
D3/233, 243, 245, 246, 303, 318, 321, 322,
D3/323, 324, 326; 150/100, 107, 108, 110,
150/111; 190/100, 103, 104, 105, 108, 109,
190/112, 115, 119, 121, 902, 903; 383/4,
383/6, 12, 37, 38, 41, 42, 98

See application file for complete search history.

(56) **References Cited**

U.S. PATENT DOCUMENTS

D434,219 S * 11/2000 Haapala D3/246
D471,707 S * 3/2003 Galliano D3/243
D489,894 S * 5/2004 Guyon D3/246

D490,608 S * 6/2004 Guyon D3/246
D501,599 S * 2/2005 Guyon D3/246
2006/0102260 A1 * 5/2006 Yen 150/110

* cited by examiner

Primary Examiner—Louis S. Zarfes

Assistant Examiner—Monica A. Weingart

(74) *Attorney, Agent, or Firm*—Gottlieb, Rackman &
Reisman, P.C.

(57) **CLAIM**

The ornamental design for a handbag, as shown and
described.

DESCRIPTION

FIG. 1 is bottom plan view of a handbag showing my new
design;

FIG. 2 is a right side elevation view thereof;

FIG. 3 is a front elevation view thereof;

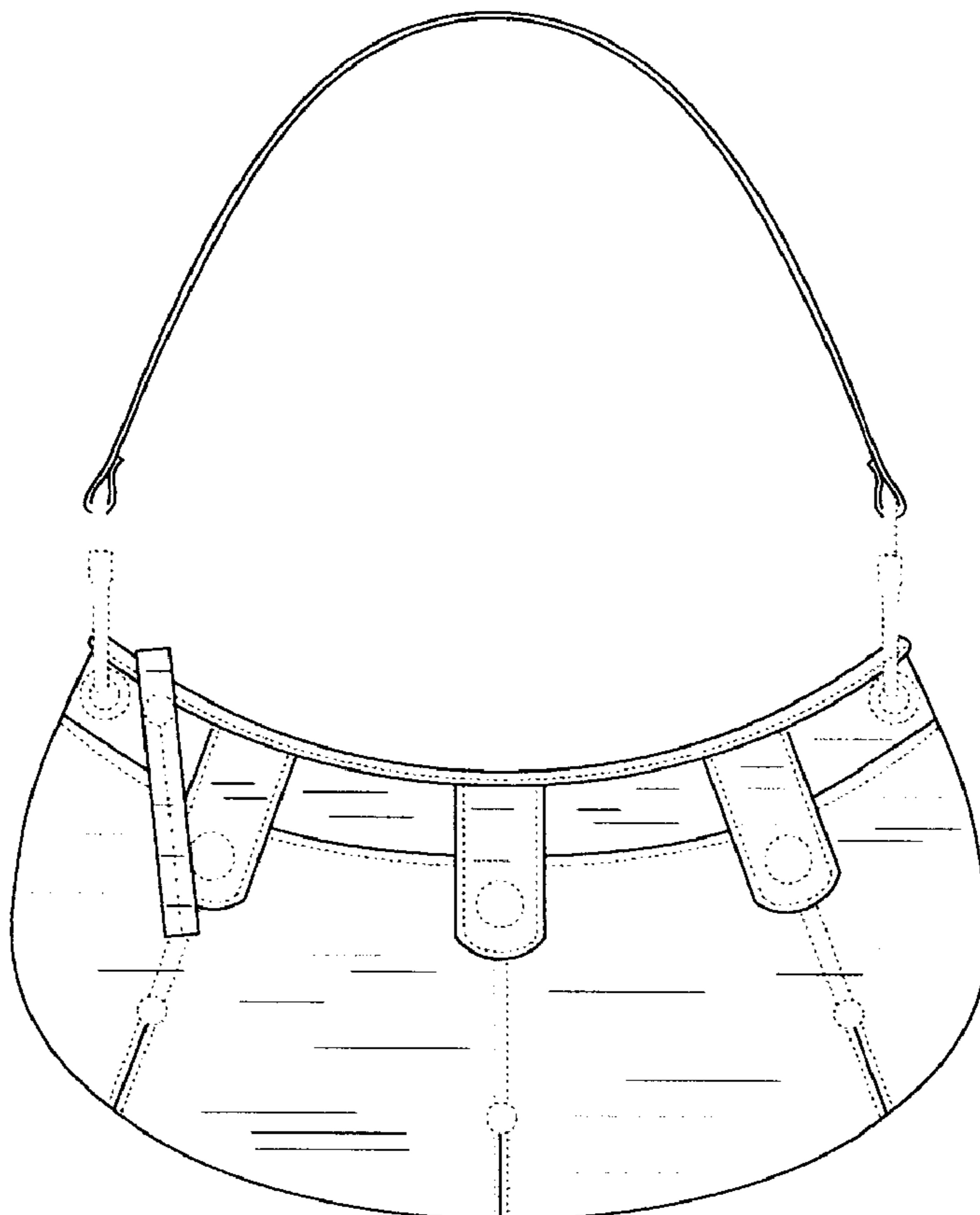
FIG. 4 is a top plan view thereof;

FIG. 5 is a left side elevation view thereof; and,

FIG. 6 is a rear elevation view thereof.

The broken line showing in the views is for illustrative
purposes only and forms no part of the claimed design.

1 Claim, 2 Drawing Sheets



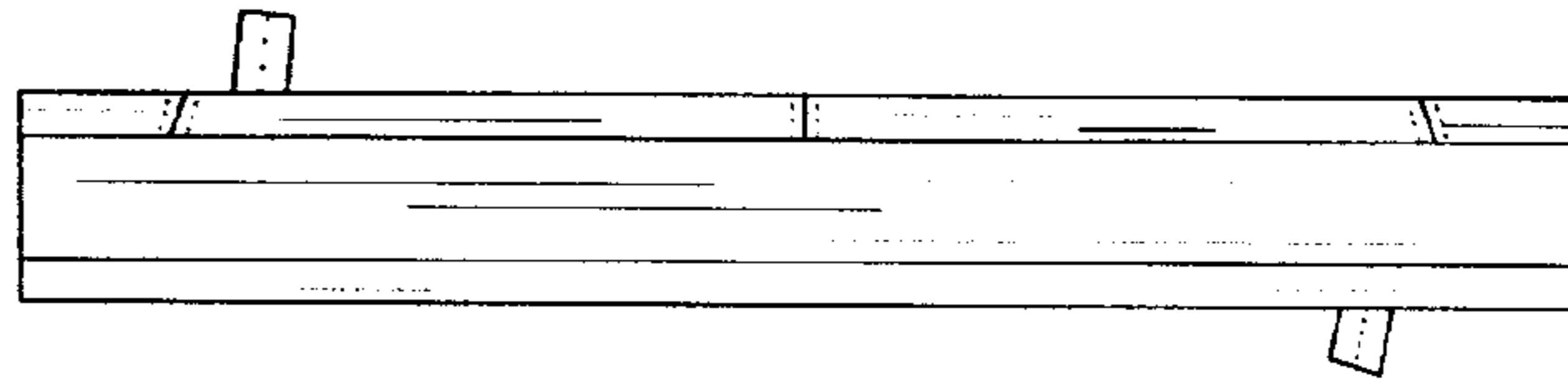


FIG. 1

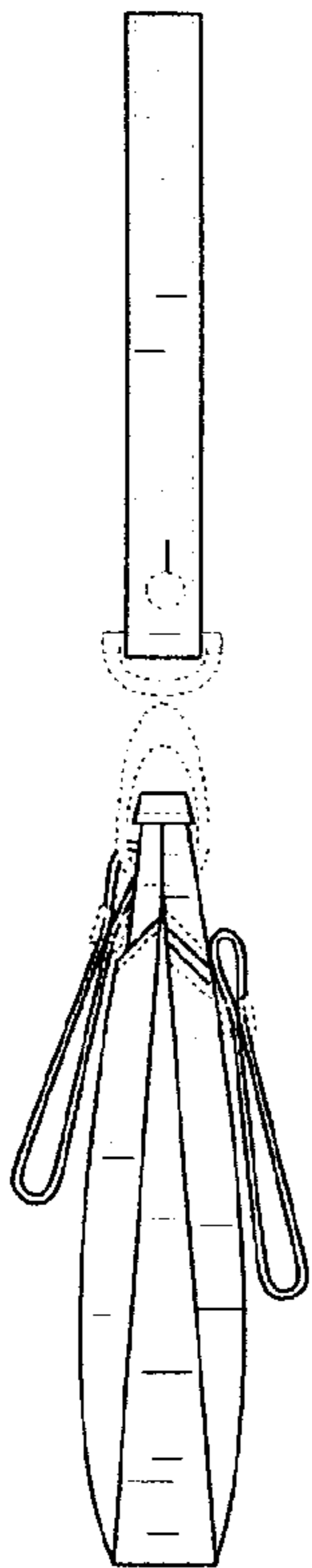


FIG. 2

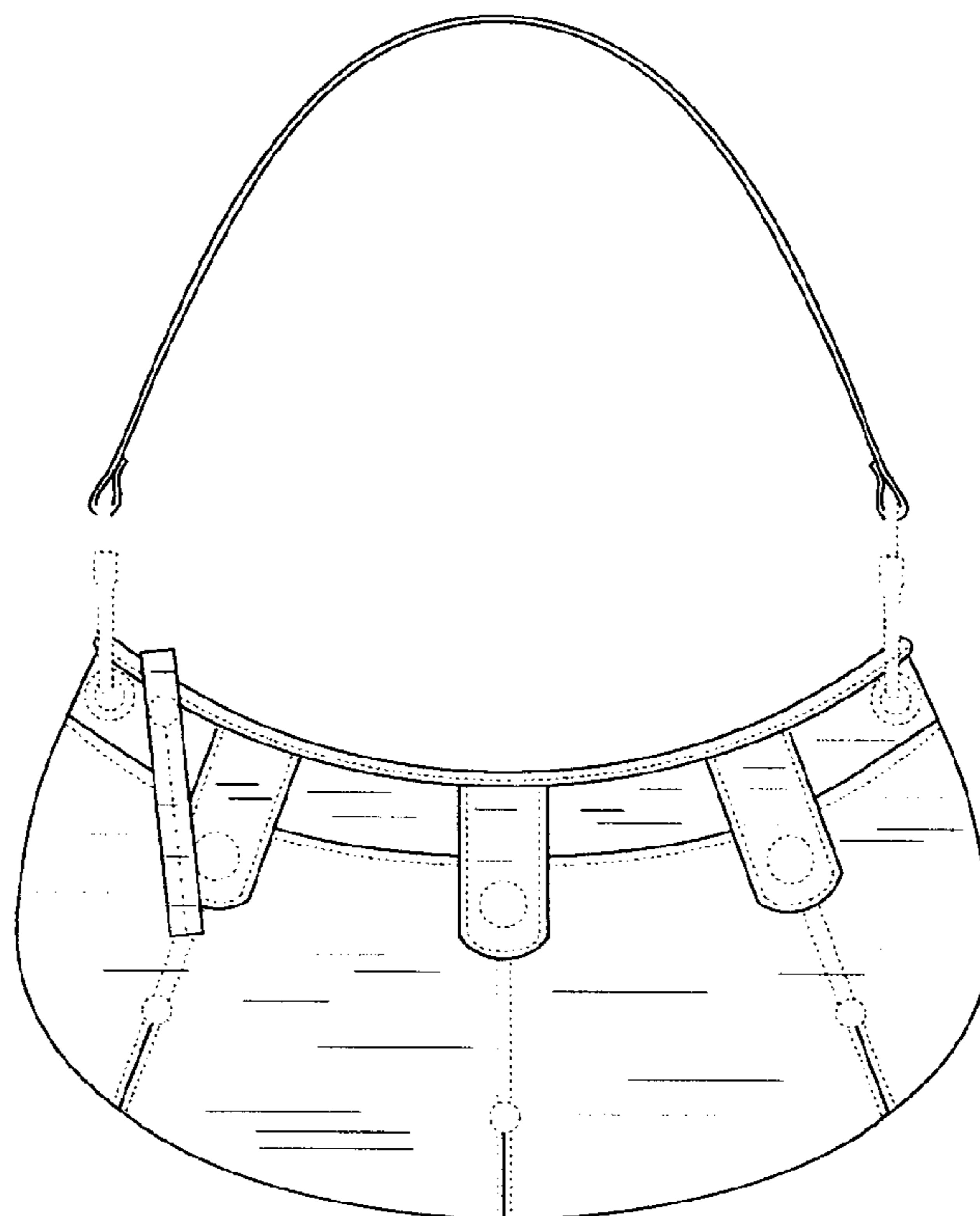


FIG. 3

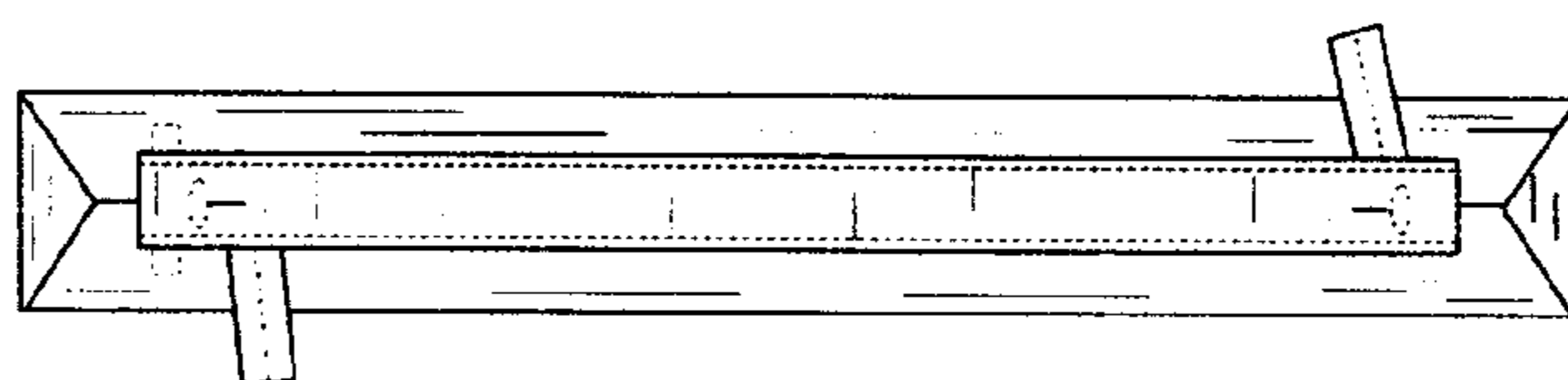


FIG. 4

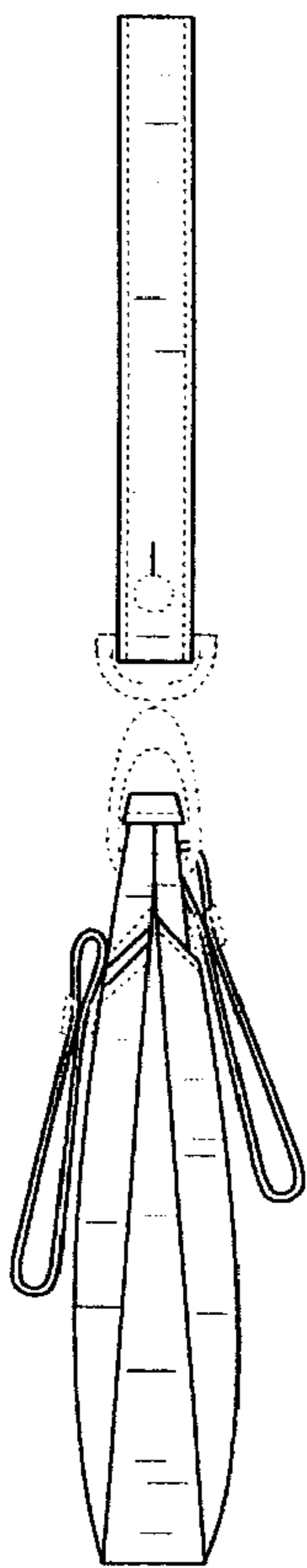


FIG. 5



FIG. 6