



US00D530908S

(12) **United States Design Patent**
Westcott

(10) **Patent No.:** **US D530,908 S**

(45) **Date of Patent:** **** Oct. 31, 2006**

(54) **WORKMAN'S BELT-SUPPORTABLE DEVICE FOR CARRYING HAND TOOLS**

6,712,251 B1 3/2004 Godshaw et al. 224/675
D505,545 S * 5/2005 Kay D3/228
D507,105 S * 7/2005 Armstrong D3/228

(76) Inventor: **A. W. J. Westcott**, 9763 State Route
219, New Knoxville, OH (US) 45871

* cited by examiner

(**) Term: **14 Years**

Primary Examiner—Catherine R. Oliver

(74) *Attorney, Agent, or Firm*—Donald R. Schoonover

(21) Appl. No.: **29/239,594**

(57) **CLAIM**

(22) Filed: **Oct. 3, 2005**

I claim the ornamental design for a workman's belt-supportable device for carrying hand tools, as shown and described.

(51) **LOC (8) Cl.** **03-01**

(52) **U.S. Cl.** **D3/228**

(58) **Field of Classification Search** D3/228,
D3/215, 221, 224, 226; 224/268, 666, 683,
224/673, 576; D8/373, 367, 370
See application file for complete search history.

DESCRIPTION

FIG. 1 is a perspective view of a workman's belt-supportable device for carrying hand tools showing my new design; FIG. 2 is a front elevational view thereof; FIG. 3 is a right side elevational view thereof, the left side elevational view being a mirror image thereof; FIG. 4 is a rear elevational view thereof; FIG. 5 is a top plan view thereof; FIG. 6 is a bottom plan view thereof; and, FIG. 7 is a reduced perspective view showing the workman's belt-supportable device for carrying hand tools in use; the broken lines depict environmental structure for illustrative purposes only and form no part of the claimed design.

(56) **References Cited**

U.S. PATENT DOCUMENTS

D221,123 S	*	7/1971	Nicholas	D3/228
4,638,530 A		1/1987	Perry	24/3.12
4,645,104 A		2/1987	Vokaty	224/673
5,060,835 A		10/1991	Payne	224/224
D345,052 S		3/1994	Stokke et al.	D3/228
6,049,914 A		4/2000	Heilman	2/247
D448,162 S		9/2001	Snider	D3/228
D452,610 S	*	1/2002	Schwartzmiller	D3/228
6,701,534 B1		3/2004	Guibord	2/338

1 Claim, 2 Drawing Sheets

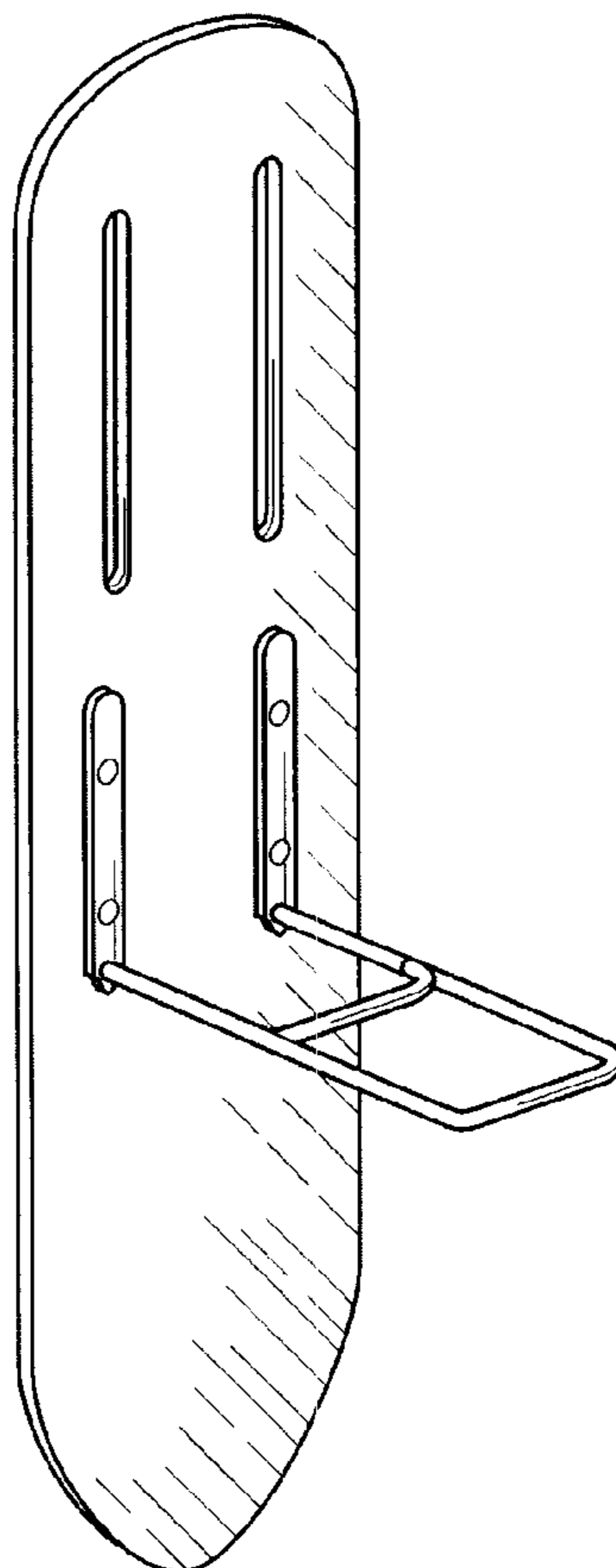


Fig. 1

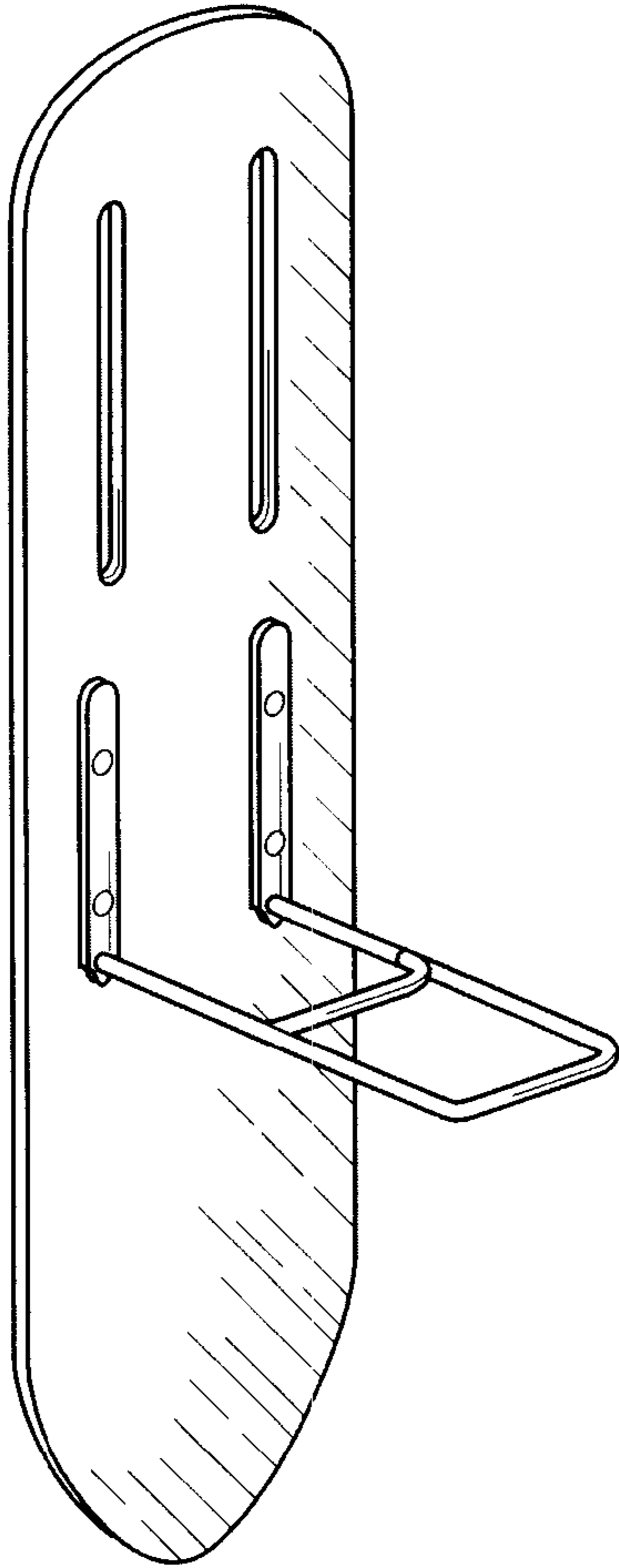


Fig. 2

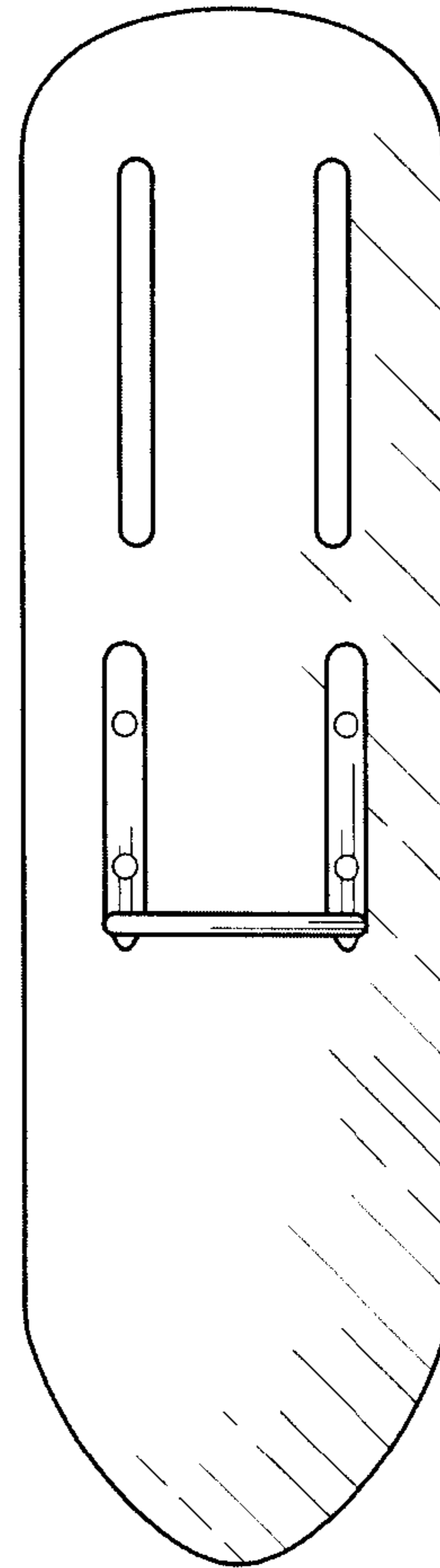


Fig. 3

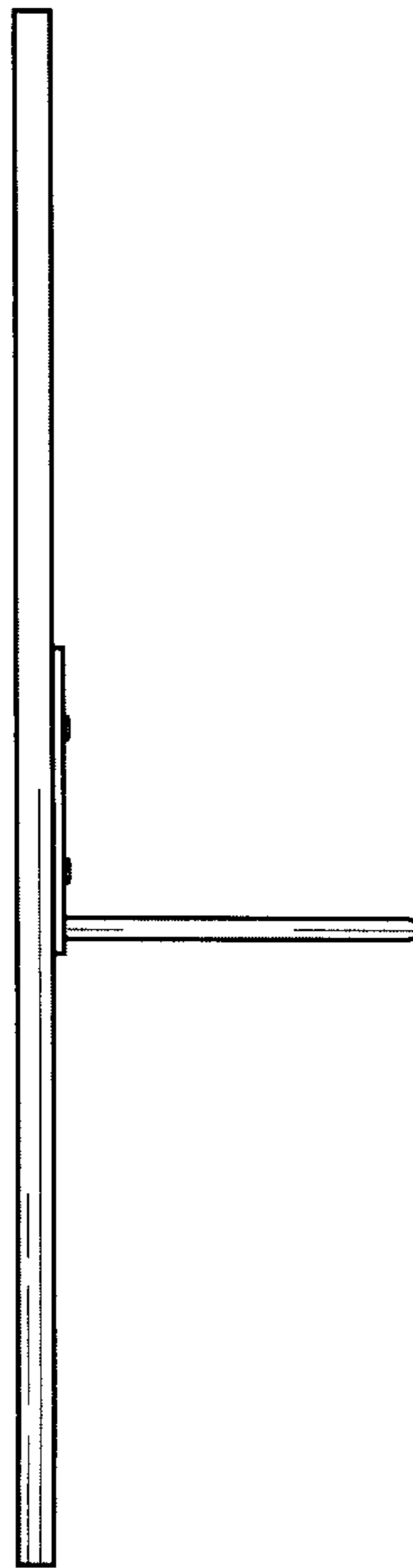


Fig. 4

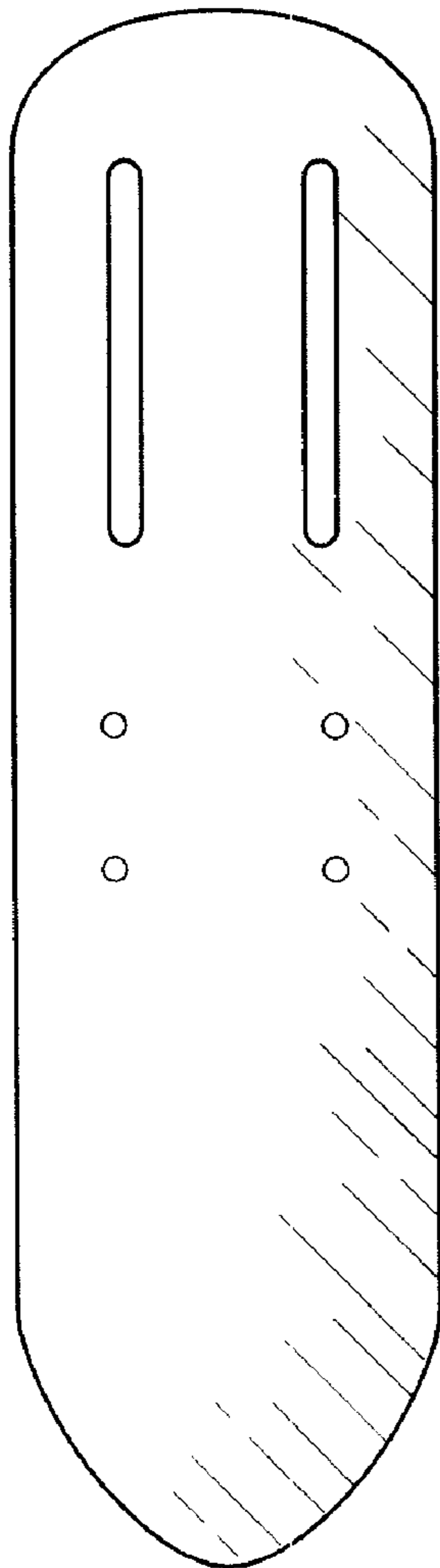


Fig. 5

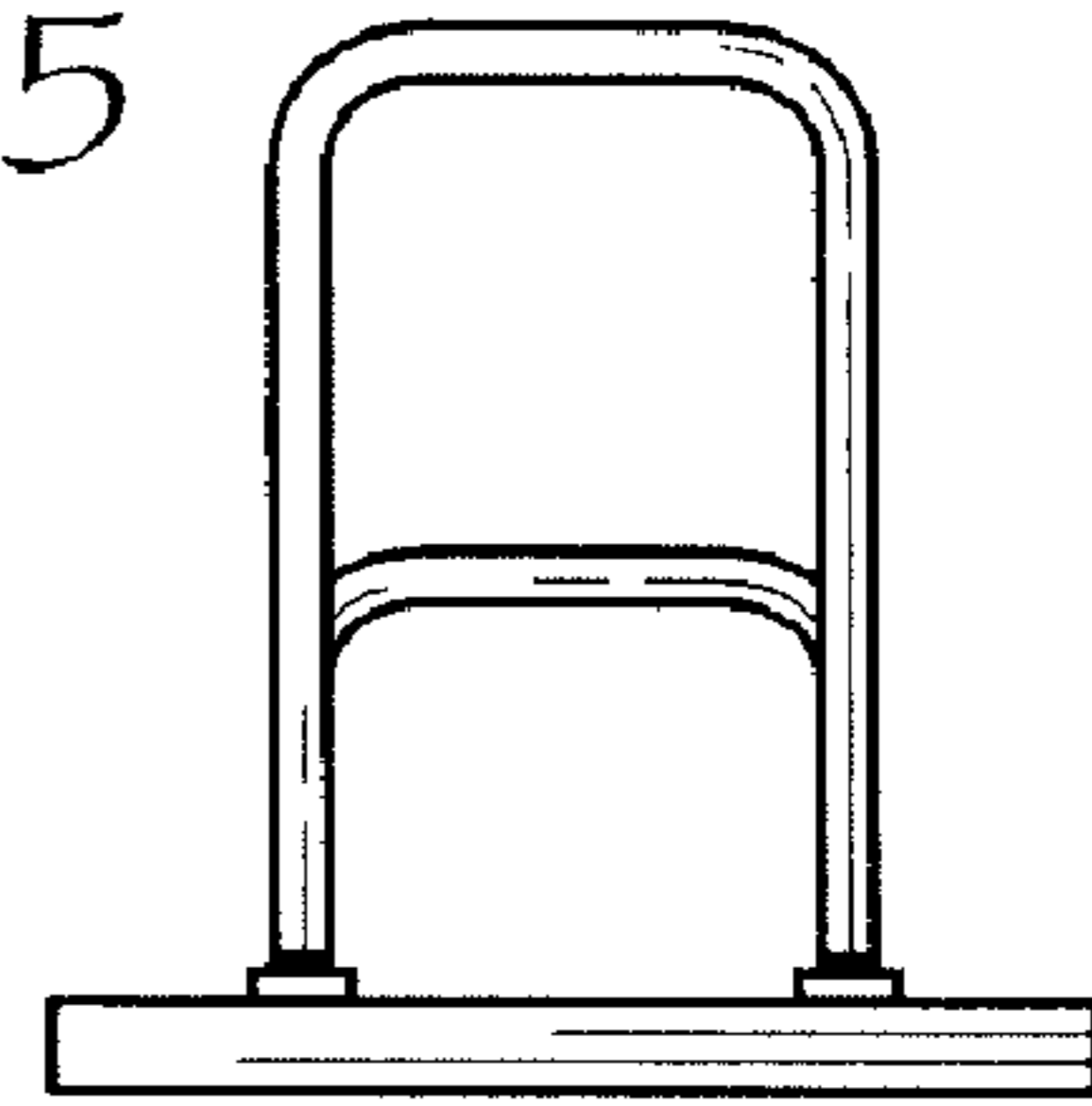


Fig. 6

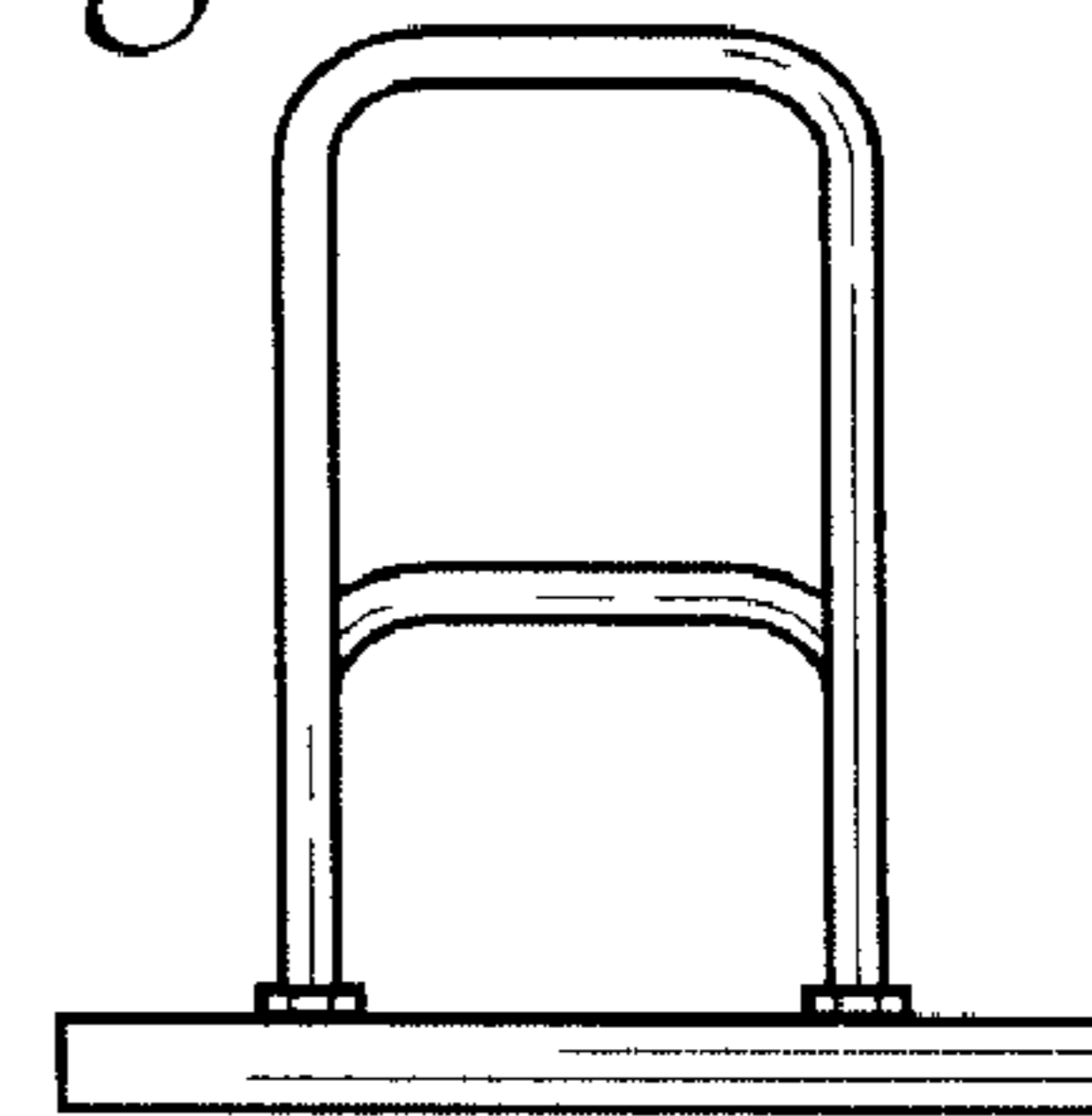


Fig. 7

