

US00D530906S

(12) **United States Design Patent**
Polak et al.

(10) **Patent No.:** **US D530,906 S**

(45) **Date of Patent:** **** Oct. 31, 2006**

(54) **AXE SCABBARD**

(75) Inventors: **Donald J. Polak**, Nashville, TN (US);
Thomas J. Bush, Canton Center, CT
(US)

(73) Assignee: **End of the Road, Inc.**, Nashville, TN
(US)

(**) Term: **14 Years**

(21) Appl. No.: **29/238,163**

(22) Filed: **Sep. 12, 2005**

(51) **LOC (8) Cl.** **03-01**

(52) **U.S. Cl.** **D3/220**

(58) **Field of Classification Search** D3/220,
D3/262; 224/234, 604, 232; D8/76; 206/349
See application file for complete search history.

(56) **References Cited**

U.S. PATENT DOCUMENTS

1,821,258	A	*	9/1931	Clark	224/234
1,928,063	A	*	9/1933	Lehmann	224/234
3,130,883	A		4/1964	MacKool	224/232
3,318,499	A		5/1967	Kallo	206/349
3,404,412	A		10/1968	Ryan	7/116
3,473,712	A		10/1969	Genchi	224/234
D253,798	S		1/1980	Altmiller	D3/220

4,773,577	A	9/1988	Mikula	224/604
D330,285	S	10/1992	Snooks	D3/262
5,820,001	A	10/1998	Soros	224/234

* cited by examiner

Primary Examiner—Catherine R. Oliver

(74) *Attorney, Agent, or Firm*—Alicia M. Passerin, Esq.;
Cohen & Crigsby, P.C.

(57) **CLAIM**

An ornamental design for an axe scabbard, substantially as shown and described.

DESCRIPTION

FIG. 1 is a front view of the axe scabbard embodying our new design.

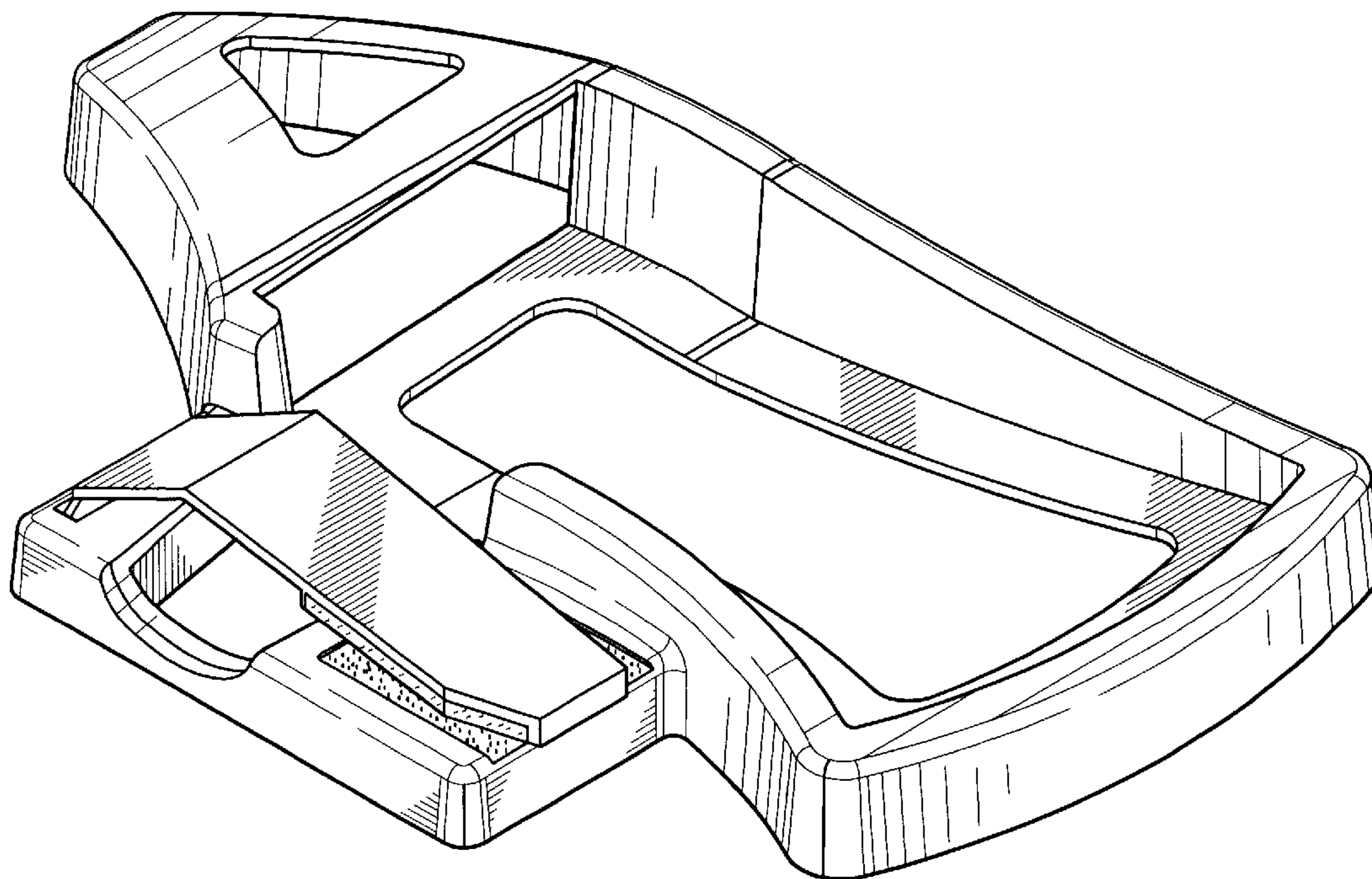
FIG. 2 is a rear view of the axe scabbard shown in FIG. 1. FIG. 3 is a bottom view of the axe scabbard shown in FIG. 1.

FIG. 4 is a top view of the axe scabbard shown in FIG. 1. FIG. 5 is a right side elevational view of the axe scabbard shown in FIG. 1.

FIG. 6 is a left side elevational view of the axe scabbard shown in FIG. 1; and,

FIG. 7 is an perspective view of the axe scabbard shown in FIG. 1.

1 Claim, 3 Drawing Sheets



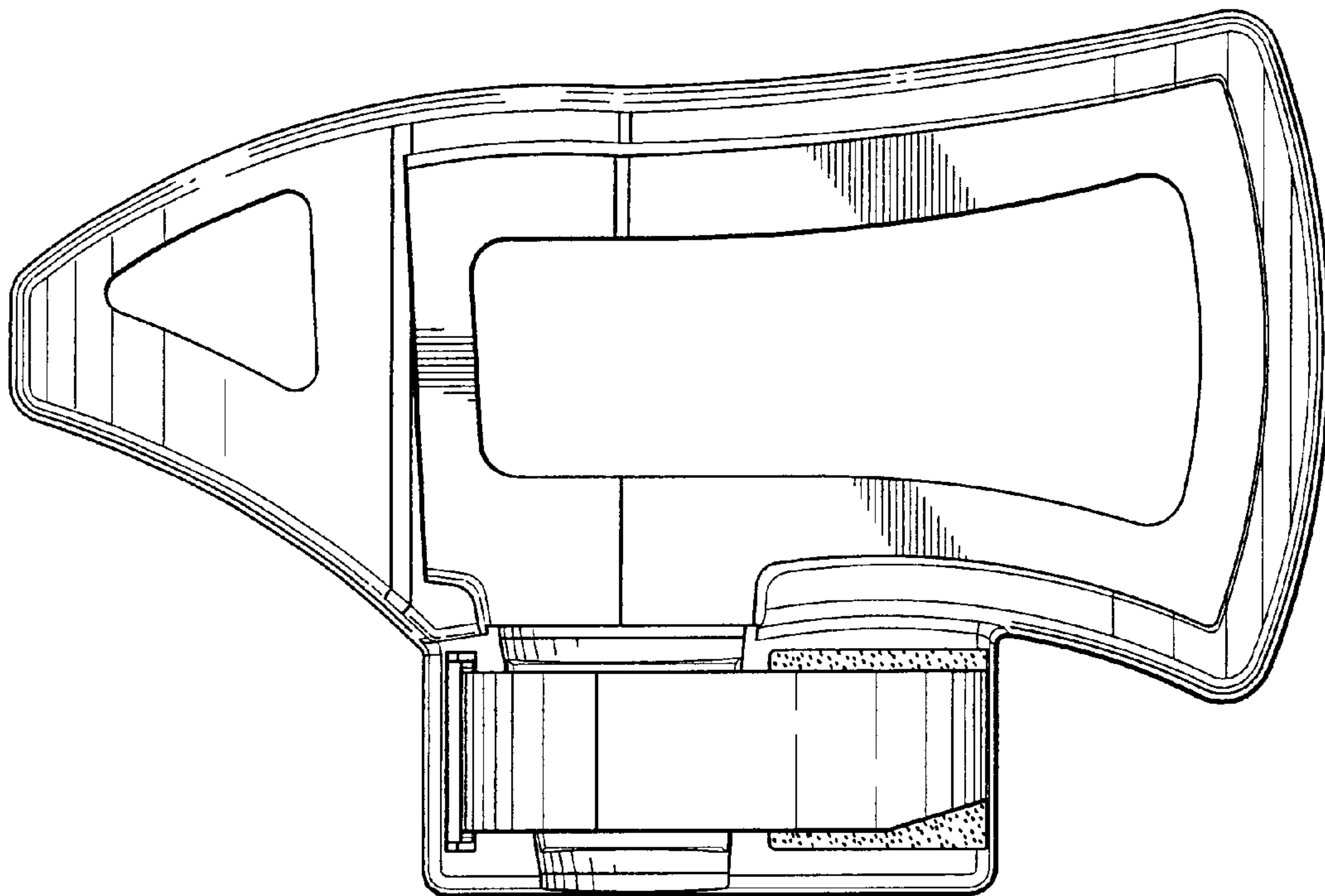


FIG. 1

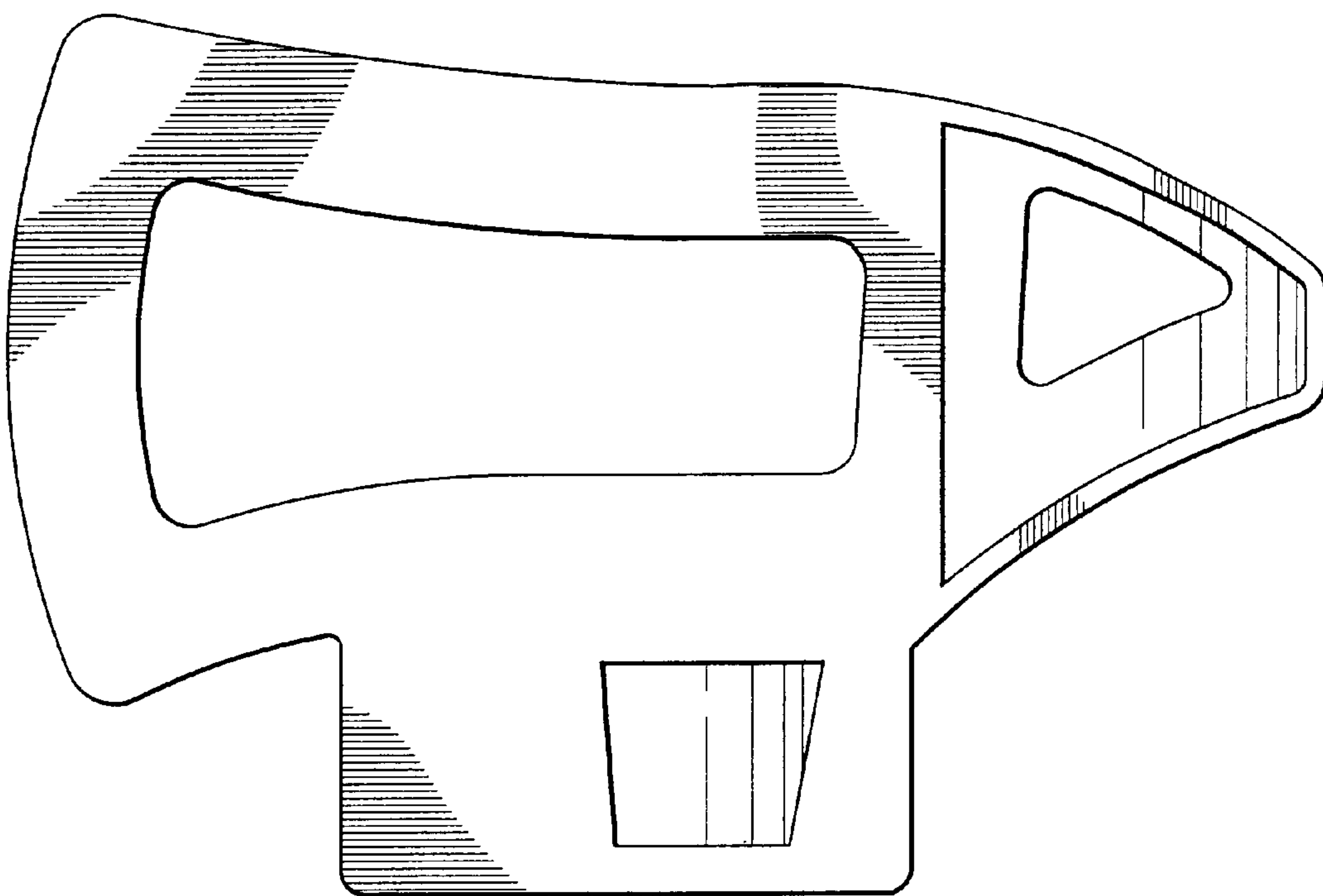


FIG. 2

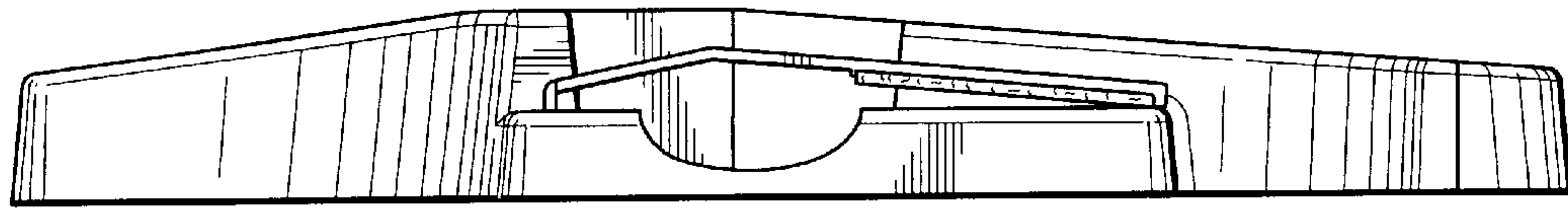


FIG. 3

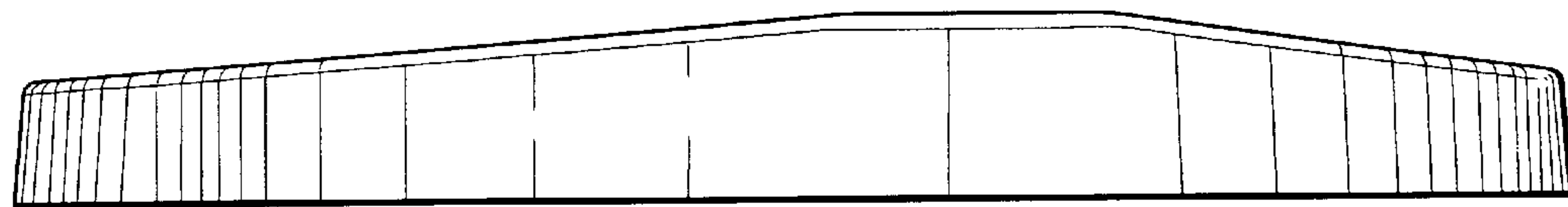


FIG. 4

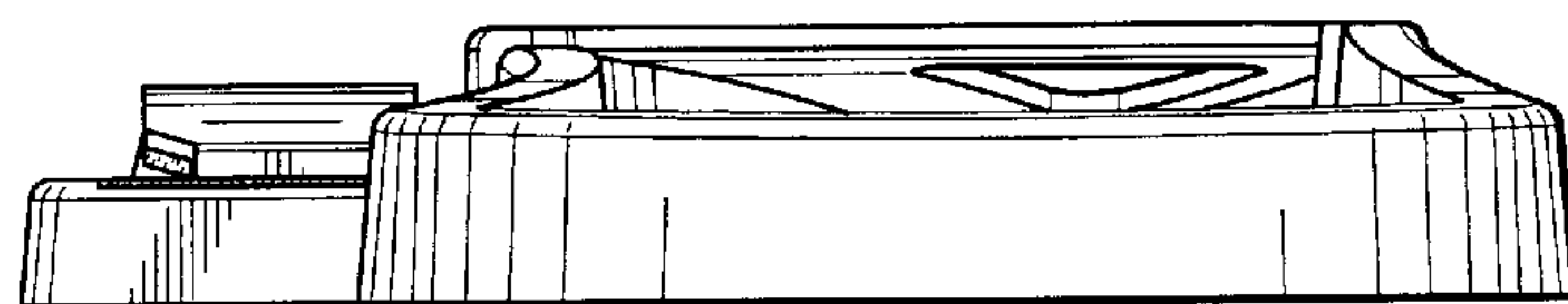


FIG. 5

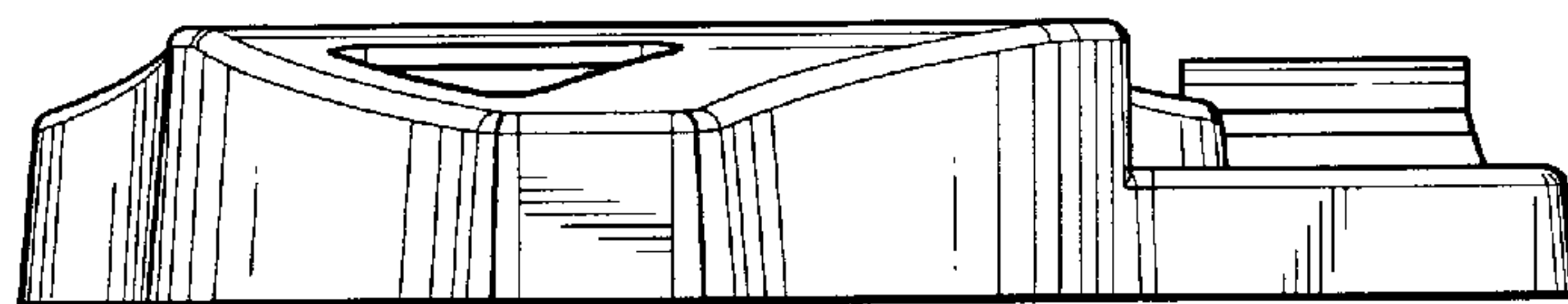


FIG. 6

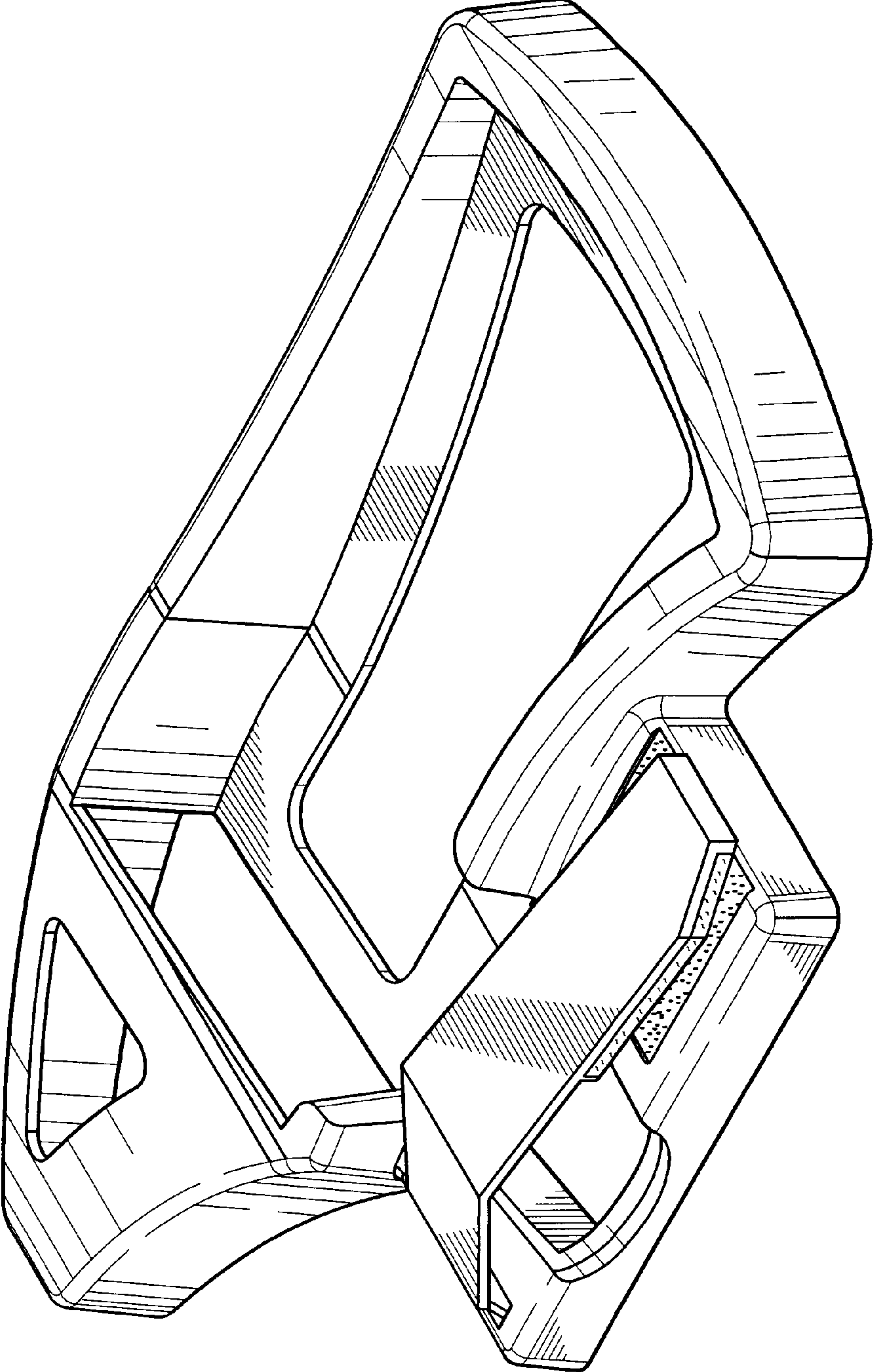


FIG. 7