



US00D530892S

(12) **United States Design Patent** (10) **Patent No.:** **US D530,892 S**
Issler (45) **Date of Patent:** **** Oct. 31, 2006**

(54) **OUTSOLE FOR A SHOE**
(75) Inventor: **James E. Issler**, Greenwich, CT (US)
(73) Assignee: **Columbia Insurance Company**,
Omaha, NE (US)
(**) Term: **14 Years**
(21) Appl. No.: **29/223,970**
(22) Filed: **Feb. 23, 2005**
(51) **LOC (8) Cl.** **02-04**
(52) **U.S. Cl.** **D2/954; D2/951; D2/953;**
D2/959
(58) **Field of Classification Search** D2/902,
D2/946-949, 951-960; 36/3 B, 22 R, 24.5,
36/25 R, 28, 32 R, 34 R, 67 A, 59 C
See application file for complete search history.

5,526,584 A 6/1996 Bleimhofer et al. 36/10
D381,494 S * 7/1997 Anderson D2/959
D384,798 S * 10/1997 Gray D2/964
5,738,937 A 4/1998 Baychar 428/316.6
D400,346 S * 11/1998 Singer D2/959
D401,750 S * 12/1998 Santos et al. D2/962
D402,801 S * 12/1998 Santos et al. D2/962
D403,147 S * 12/1998 Erickson D2/962
D412,392 S * 8/1999 Singer D2/951
D416,670 S * 11/1999 Singer D2/955
D420,209 S * 2/2000 Singer D2/951
D430,388 S * 9/2000 Dittrich et al. D2/959
6,161,315 A * 12/2000 Dalton 36/134
D437,989 S * 2/2001 Cass D2/952
D441,944 S * 5/2001 Rogers D2/956
D447,855 S * 9/2001 Bramani D2/957
6,289,611 B1 * 9/2001 Patterson et al. 36/127
D459,067 S * 6/2002 Lotti D2/962
D483,175 S * 12/2003 Robinson et al. D2/954
D502,595 S * 3/2005 Sonnergren D2/955
D507,398 S * 7/2005 Recchi D2/957
D508,764 S * 8/2005 Sonnergren D2/956
D509,948 S * 9/2005 Robinson et al. D2/953
D510,796 S * 10/2005 Erickson et al. D2/954
D515,290 S * 2/2006 Sonnergren D2/954

(56) **References Cited**

U.S. PATENT DOCUMENTS

1,974,543 A 9/1934 Reymond
2,046,217 A 6/1936 Strauss
2,079,237 A 5/1937 Allard
2,160,768 A 5/1939 Wasser
2,344,069 A 3/1944 Wasser
3,091,871 A 6/1963 Tronche
3,175,310 A 3/1965 MacQuaid
3,175,311 A 3/1965 MacQuaid
3,191,321 A 6/1965 Brutting
3,213,551 A 10/1965 Krauss
3,407,518 A 10/1968 MacQuaid et al.
3,525,165 A 8/1970 Randall, Jr.
3,561,142 A 2/1971 Streit, Sr. et al.
4,231,170 A 11/1980 Griswold 36/72
4,366,629 A 1/1983 Scherz 36/4
4,562,652 A 1/1986 Hensler 36/102
4,908,963 A 3/1990 Krajcir et al. 36/77
4,995,174 A 2/1991 Hong et al. 36/72
5,048,203 A 9/1991 Kling 36/32
D327,975 S * 7/1992 Saito et al. D2/962
D328,518 S * 8/1992 Kiyosawa D2/949
5,185,944 A 2/1993 Okajima 36/45
D339,459 S * 9/1993 Yoshikawa et al. D2/955
5,499,459 A 3/1996 Tomaro 36/10

* cited by examiner

Primary Examiner—Celia A. Murphy
(74) *Attorney, Agent, or Firm*—St. Onge Steward Johnston
& Reens LLC

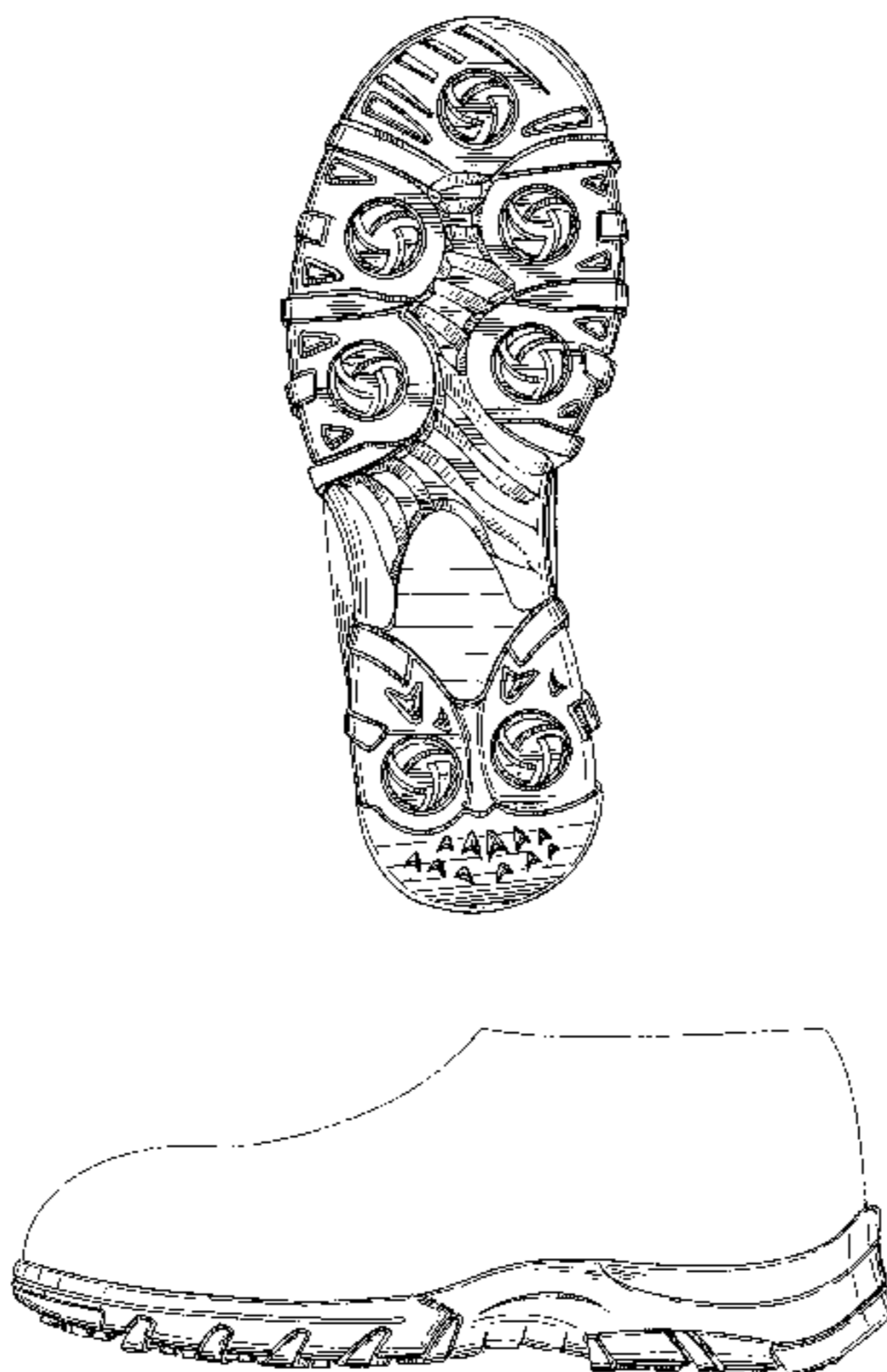
(57) **CLAIM**

I claim the ornamental design for the outsole for a shoe, as shown and described in the drawings.

DESCRIPTION

FIG. 1 is a bottom view of an outsole for a shoe showing my new design;
FIG. 2 is a right side view thereof;
FIG. 3 is a left side view thereof;
FIG. 4 is a front view thereof;
FIG. 5 is a rear view thereof; and,
FIG. 6 is a bottom perspective view thereof.
The lines shown in pantom in FIGS. 2-6 do not form any part of the claimed invention.

1 Claim, 5 Drawing Sheets



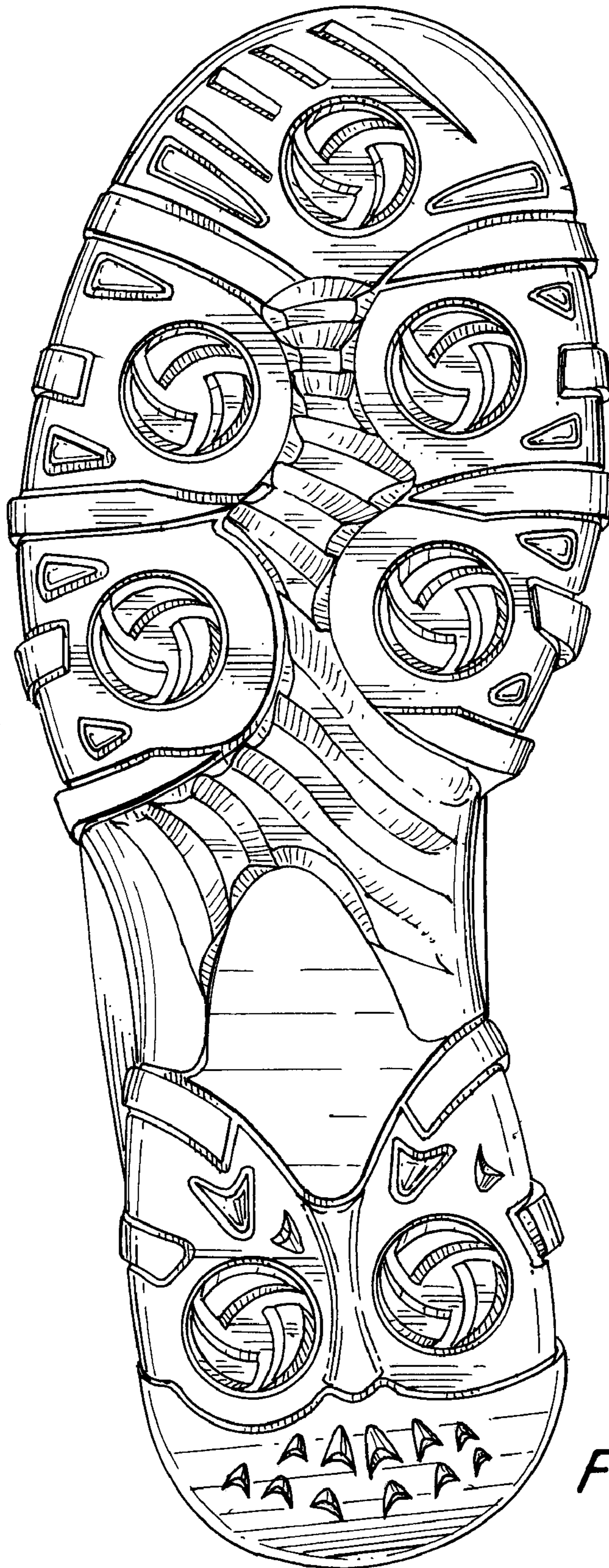


FIG. 1

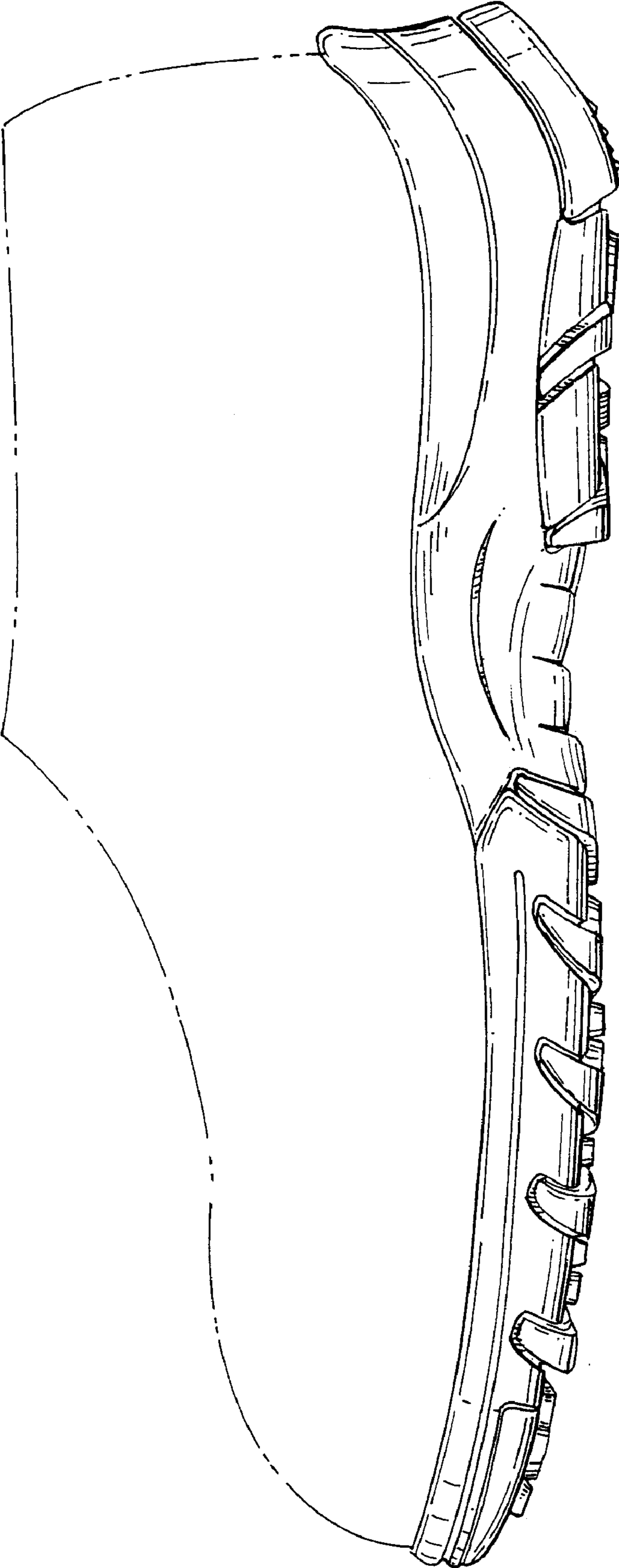


FIG. 2

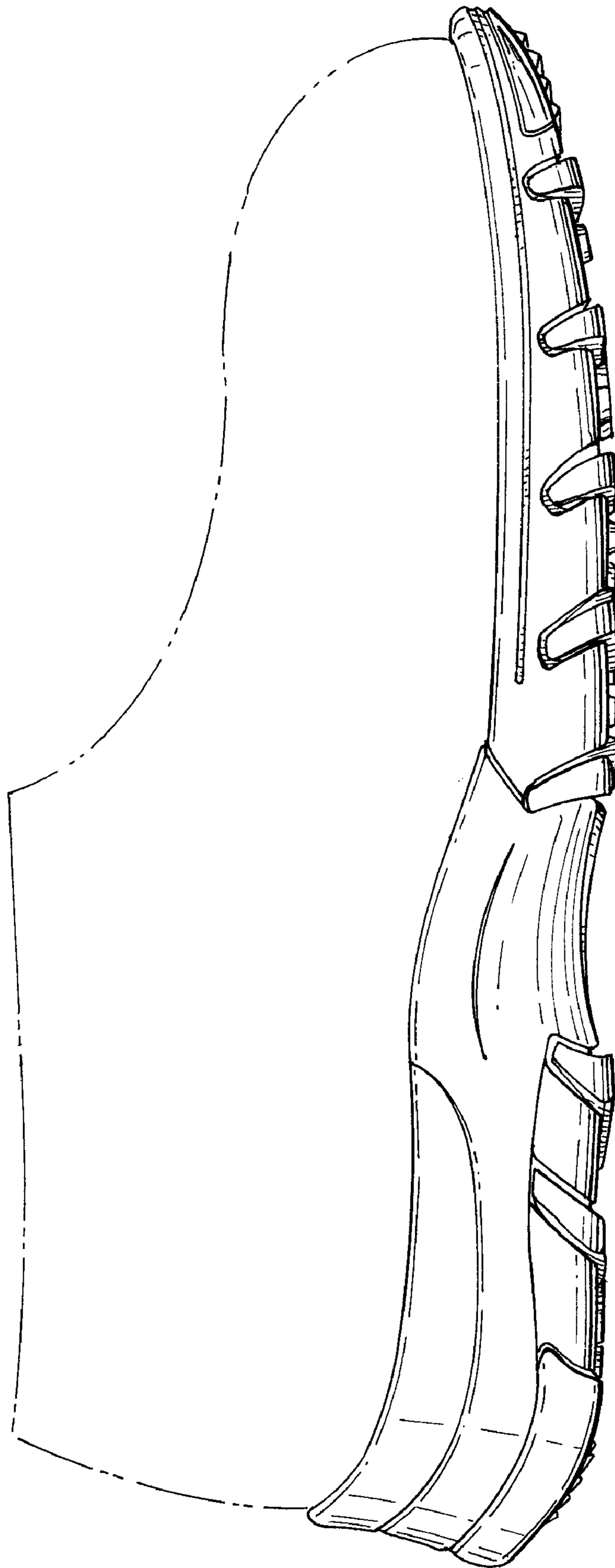


FIG. 3

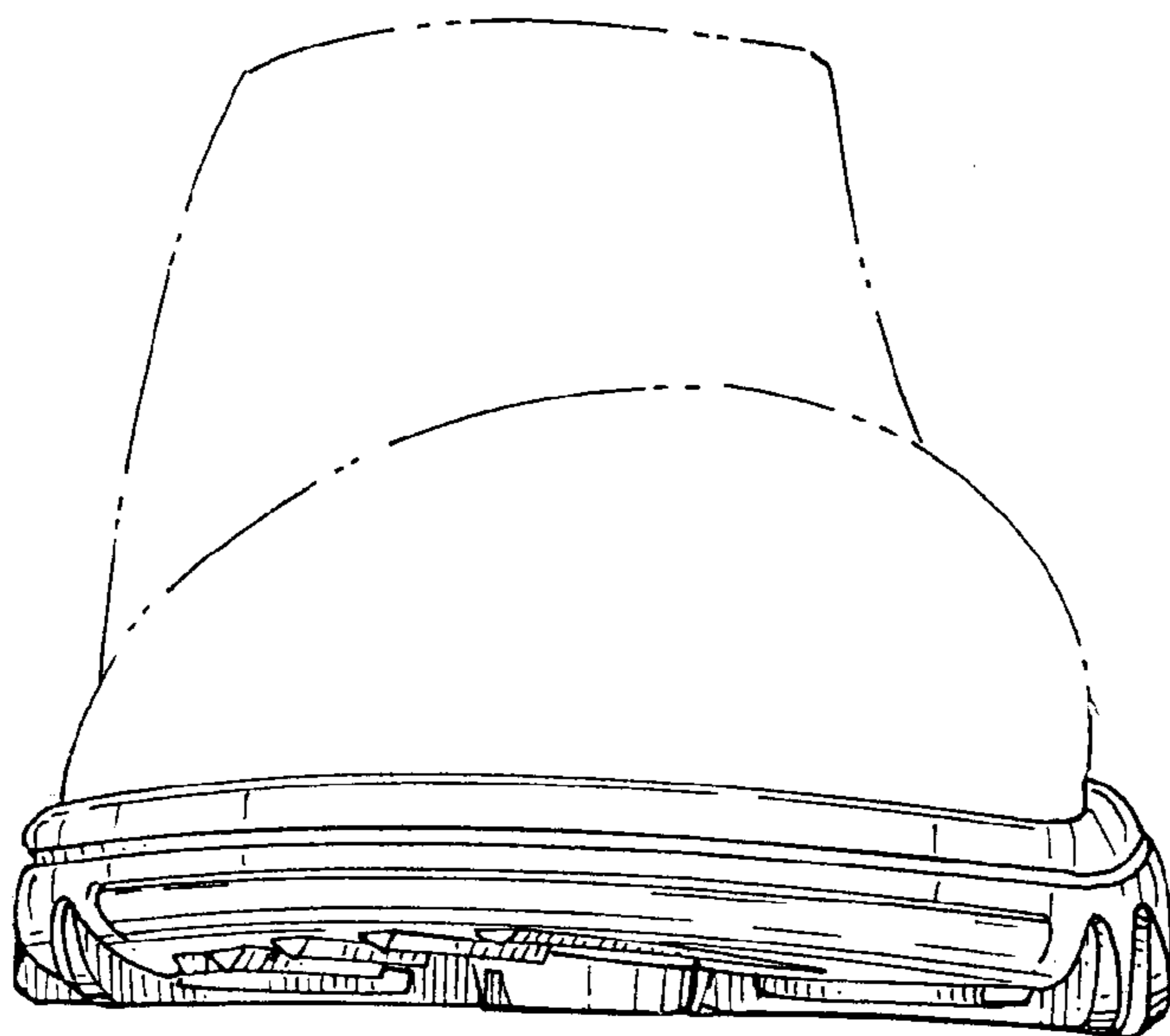


FIG. 4

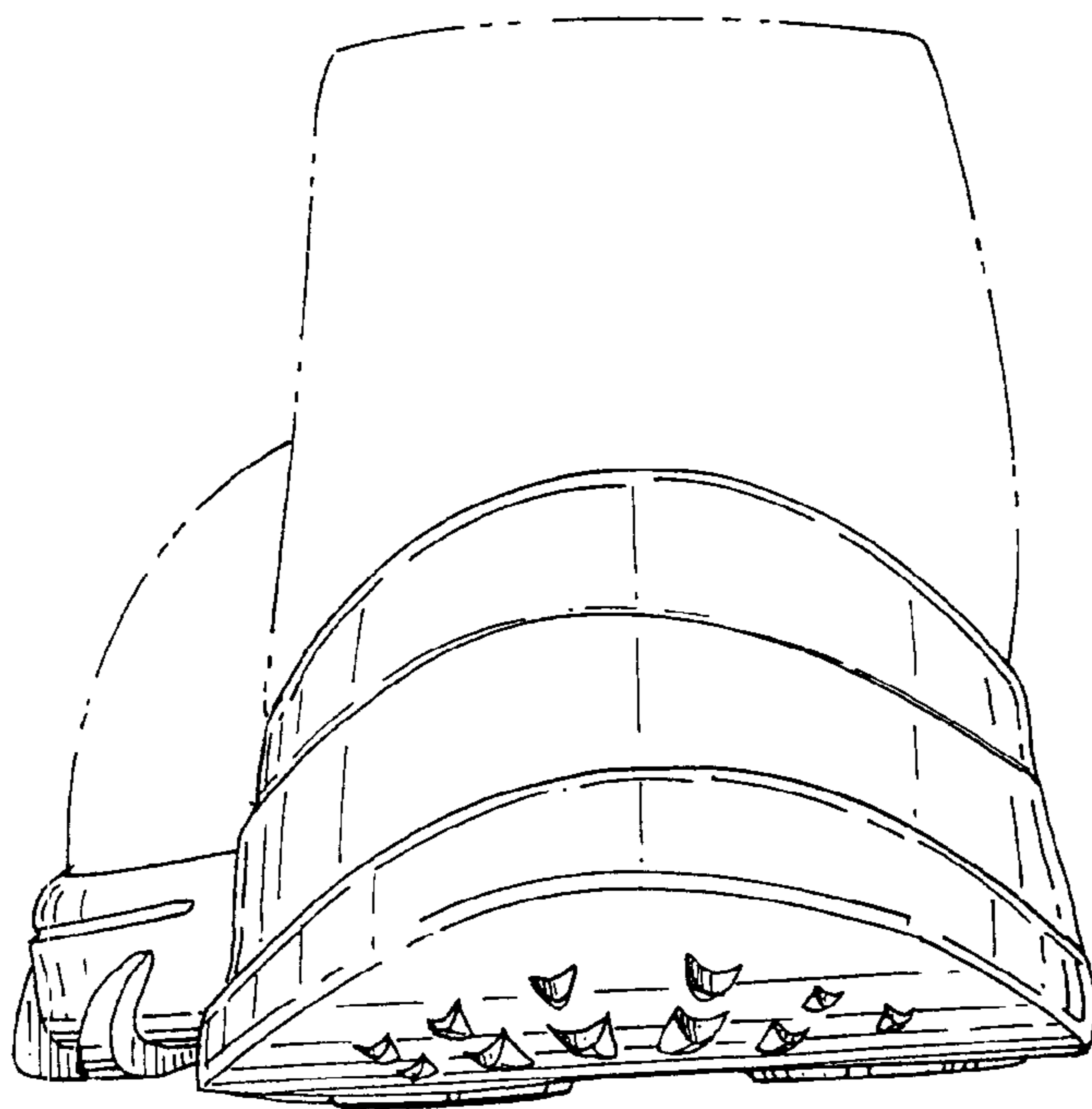


FIG. 5

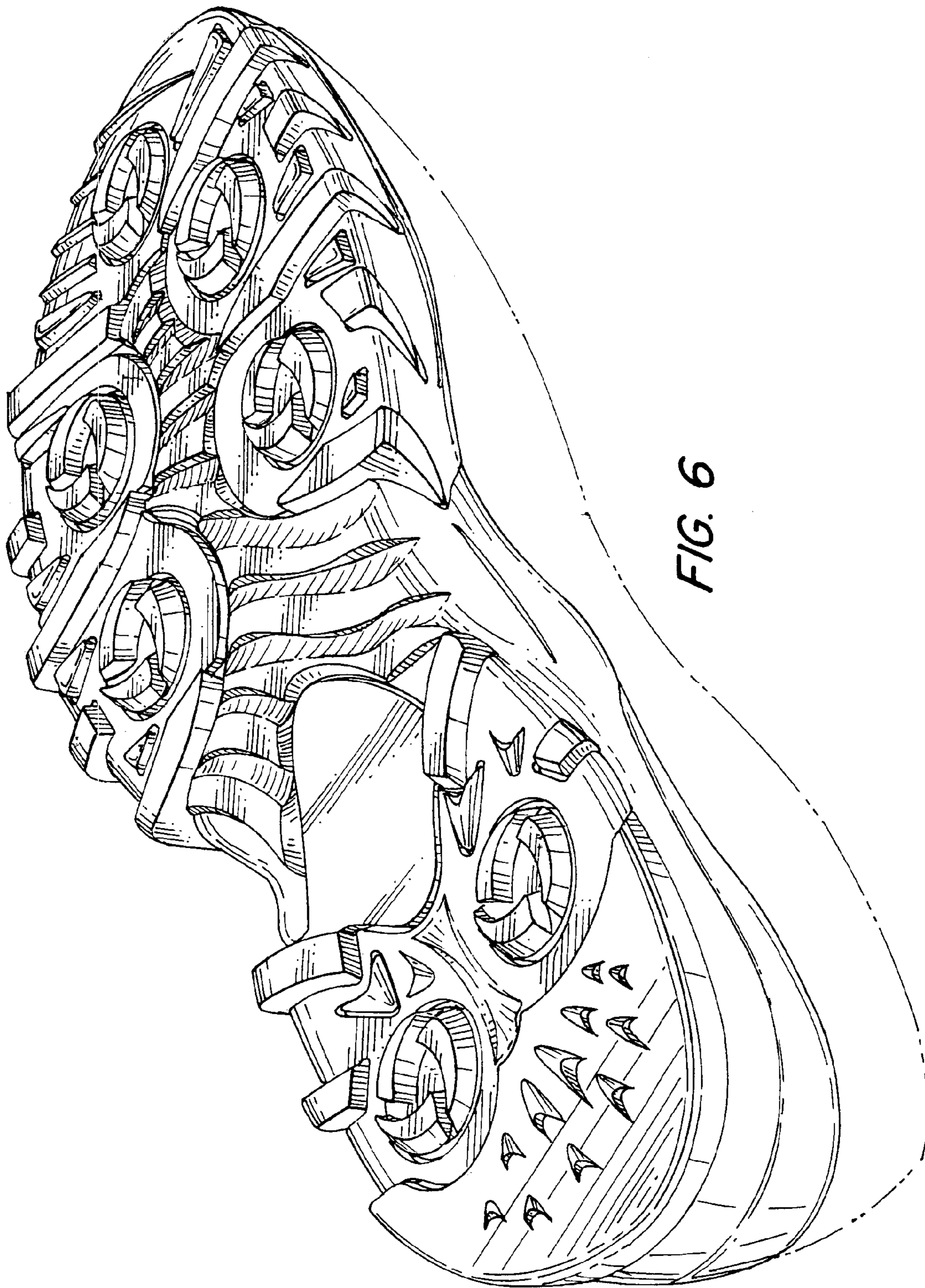


FIG. 6