



US00D530883S

(12) **United States Design Patent**  
**Cholewa**

(10) **Patent No.:** **US D530,883 S**

(45) **Date of Patent:** **\*\* Oct. 31, 2006**

(54) **SEAT BELT COVER**

(76) **Inventor:** **Victoria R. Cholewa**, 4 Eagle Ct.,  
Westerly, RI (US) 02891

(\*\*) **Term:** **14 Years**

(21) **Appl. No.:** **29/231,405**

(22) **Filed:** **Jun. 3, 2005**

(51) **LOC (8) Cl.** ..... **02-07**

(52) **U.S. Cl.** ..... **D2/639**

(58) **Field of Classification Search** ..... D2/627,  
D2/629, 639; D29/100, 101; D24/190; D6/595,  
D6/606; 24/579.11, 633, 634; 128/874, 875;  
280/733, 801.1, 806, 808; 297/482, 483,  
297/464, 467, 487, 488, 472; 224/264; 150/154,  
150/156, 159, 162, 163, 165; 2/460, 461  
See application file for complete search history.

(56) **References Cited**

**U.S. PATENT DOCUMENTS**

2,643,380	A	*	6/1953	Blair	.....	2/460
3,484,908	A		12/1969	Lamb		
3,856,328	A	*	12/1974	Koizumi	.....	297/472
4,878,277	A	*	11/1989	Portuese	.....	24/633
4,961,251	A	*	10/1990	Smith	.....	24/633
5,161,824	A	*	11/1992	Li	.....	280/808
D337,075	S		7/1993	Powell		
D358,246	S	*	5/1995	Bacchiocchi et al.	.....	D2/639
5,617,617	A		4/1997	Gustin		
D387,187	S		12/1997	Connor et al.		
D387,887	S		12/1997	Jensen		
D396,736	S		8/1998	Davis		

D396,938	S	*	8/1998	Bugatti	.....	D2/639
D450,910	S		11/2001	Zaldumbide		
6,481,750	B1	*	11/2002	Kalina et al.	.....	280/801.1
6,527,298	B1	*	3/2003	Kopetzky	.....	280/806
6,769,157	B1		8/2004	Meal		
D497,241	S	*	10/2004	Sirois	.....	D2/639
2002/0074847	A1		6/2002	Terpselas		

\* cited by examiner

*Primary Examiner*—Paula A. Greene

(74) *Attorney, Agent, or Firm*—Lowrie, Lando & Anastasi,  
LLP

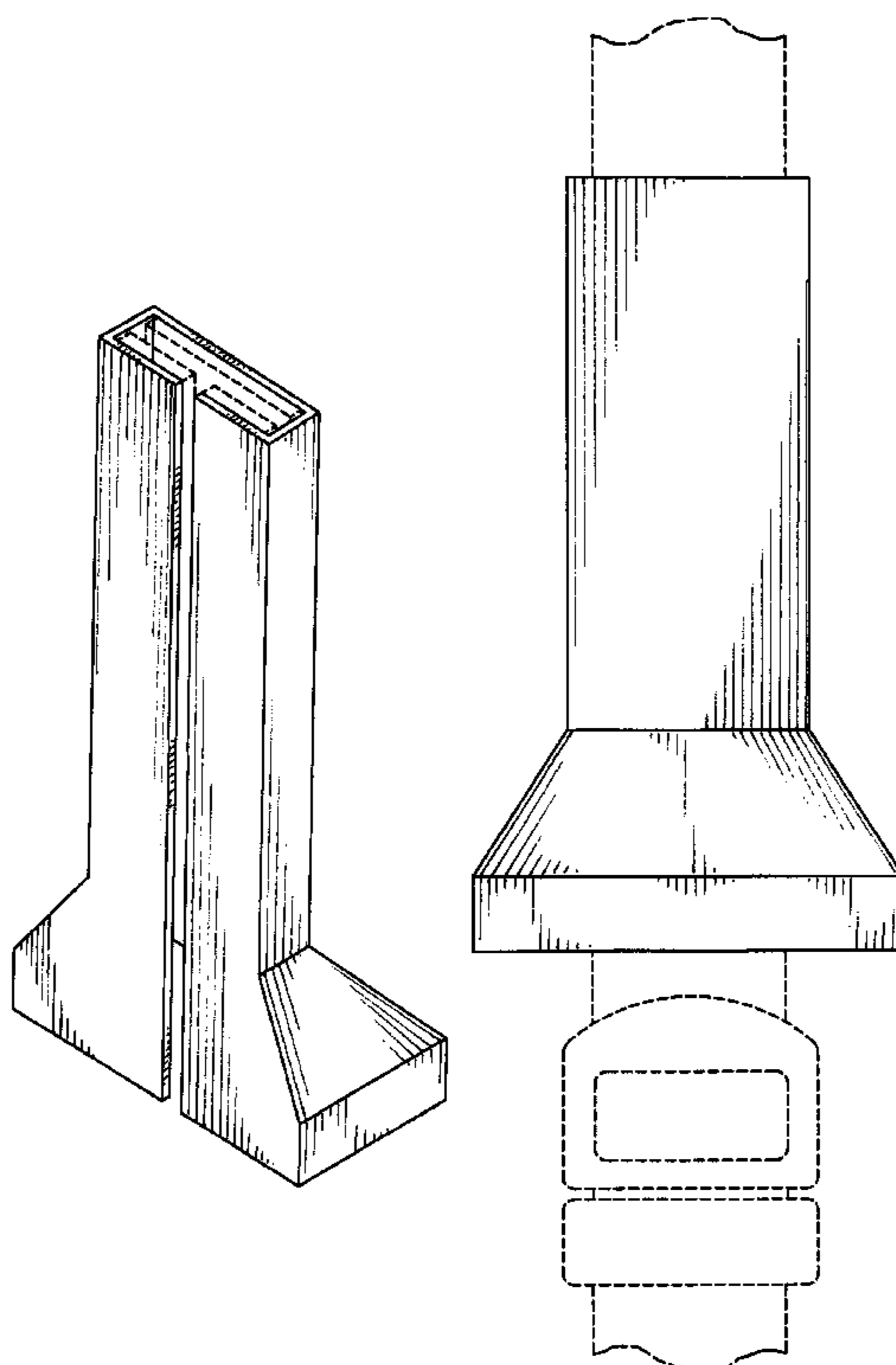
(57) **CLAIM**

The ornamental design for a seat belt cover, as shown and described.

**DESCRIPTION**

FIG. 1 is a rear perspective view of a seat belt cover showing my new design;  
FIG. 2 is a rear elevational view thereof;  
FIG. 3 is a front elevational view thereof;  
FIG. 4 is a left side elevational view thereof;  
FIG. 5 is a right side elevational view thereof;  
FIG. 6 is a top plan view thereof;  
FIG. 7 is a bottom plan view thereof; and,  
FIG. 8 is a front elevational view of a seat belt cover thereof.  
The broken line showing of the hook and loop fastener material in FIGS. 1, 6, and 7 and the safety strap and belt in FIG. 8 is for illustrative purposes only and forms no part of the claimed design.

**1 Claim, 4 Drawing Sheets**



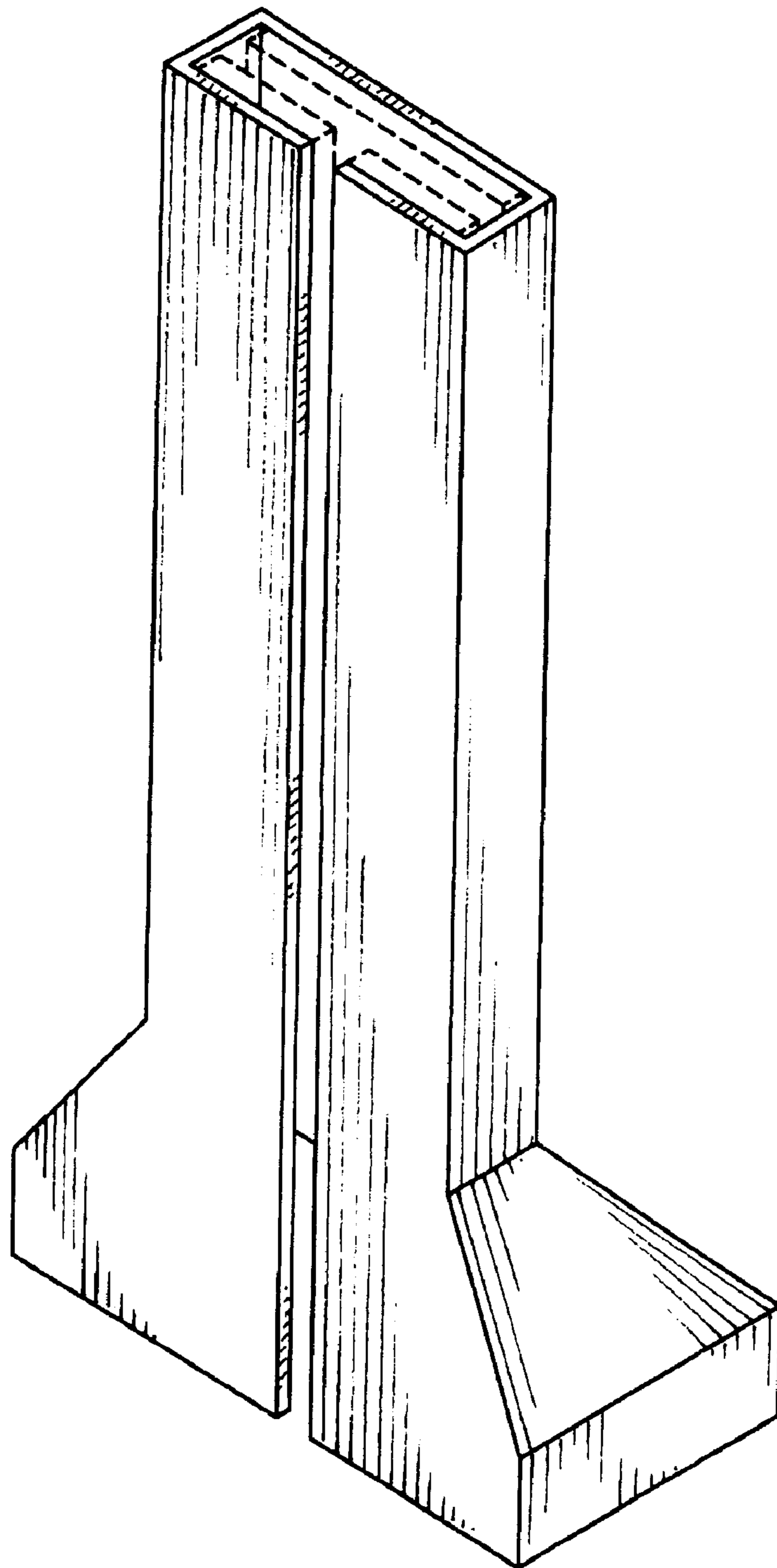


FIG. 1

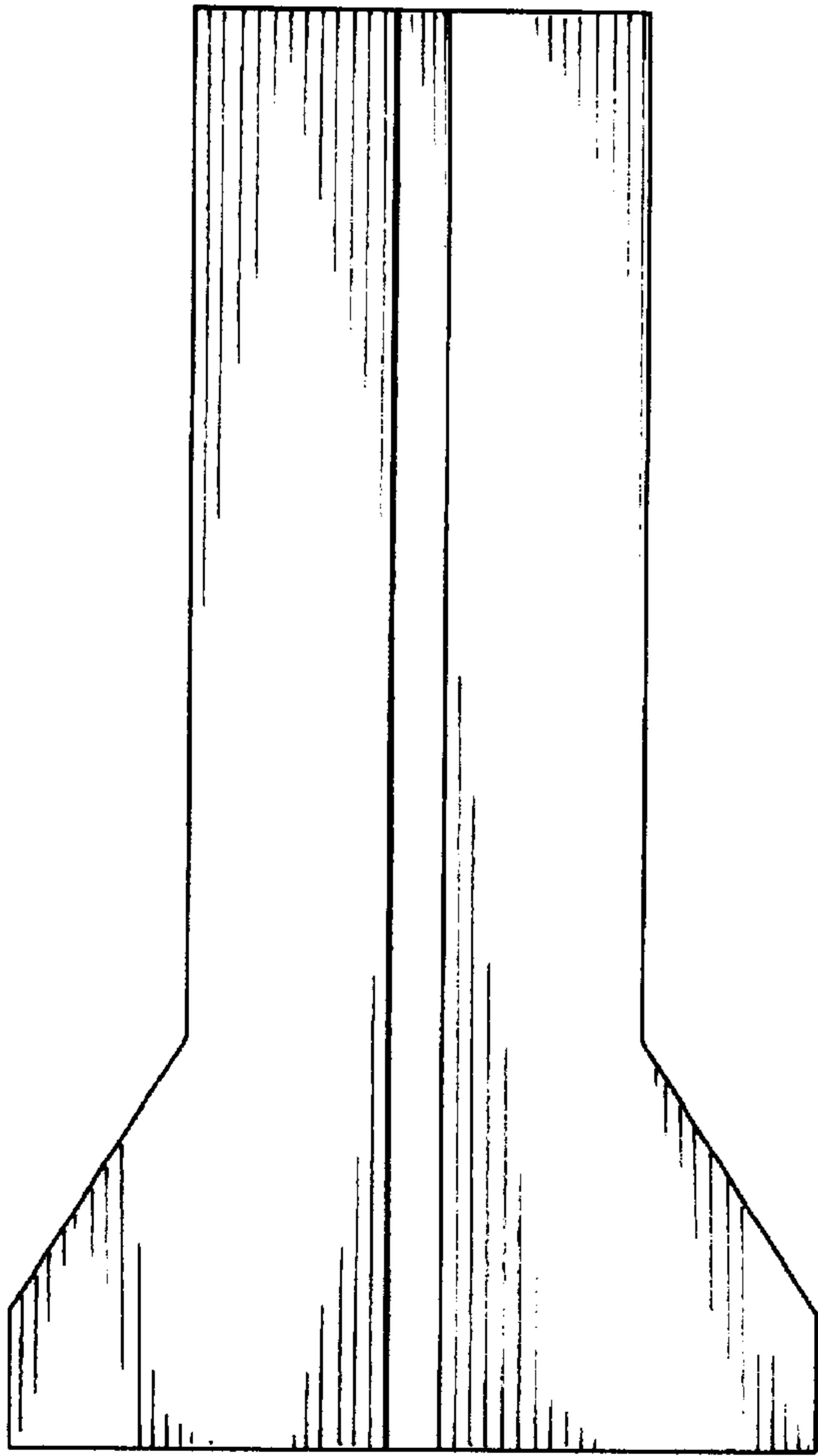


FIG. 2

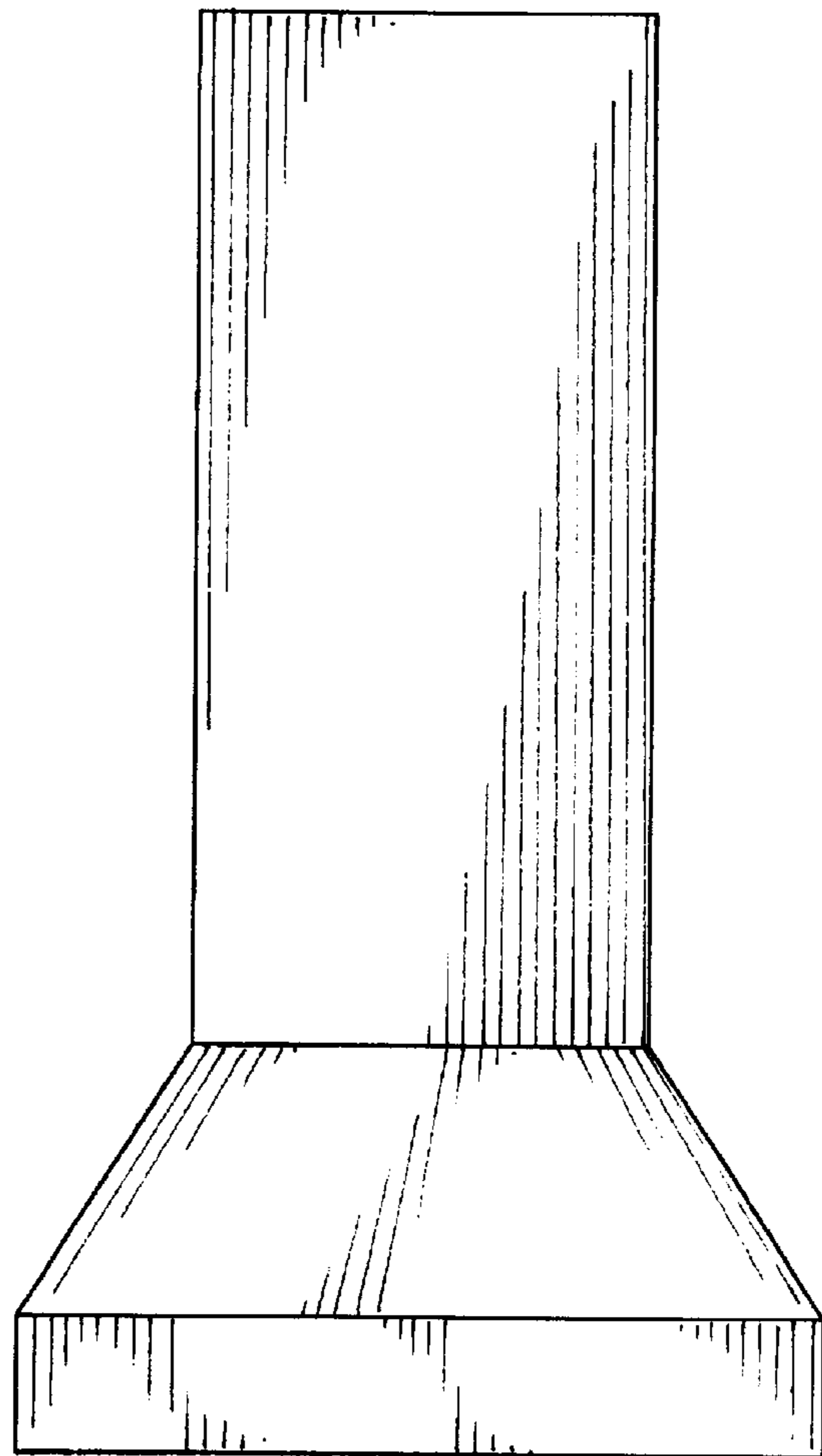


FIG. 3

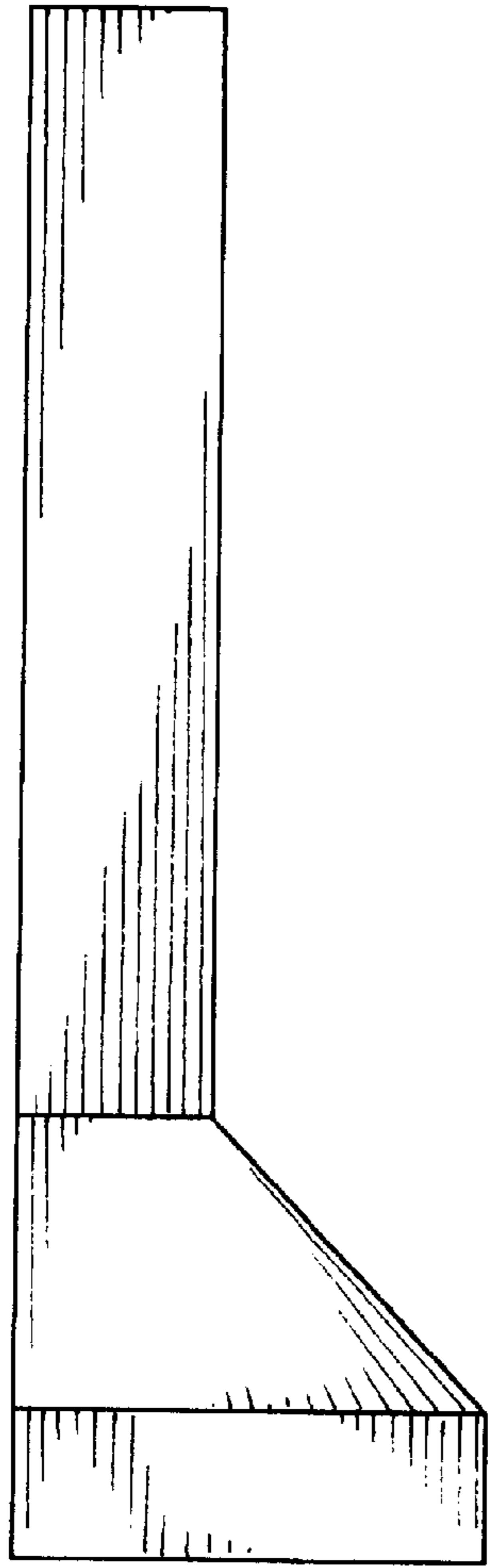


FIG. 4

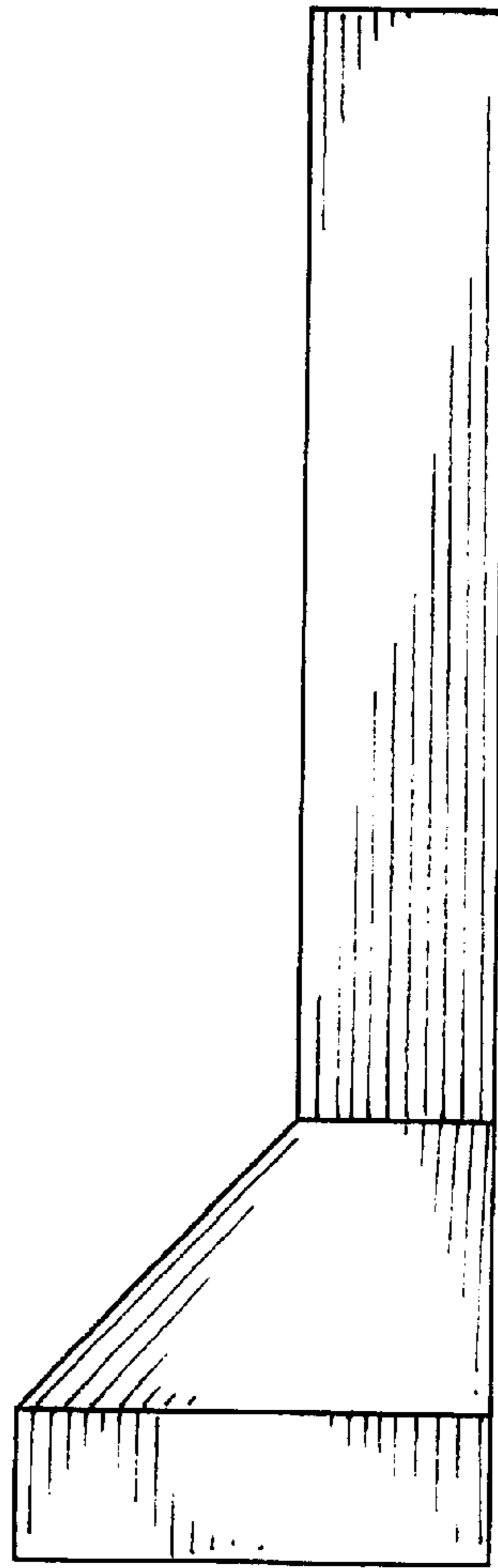


FIG. 5

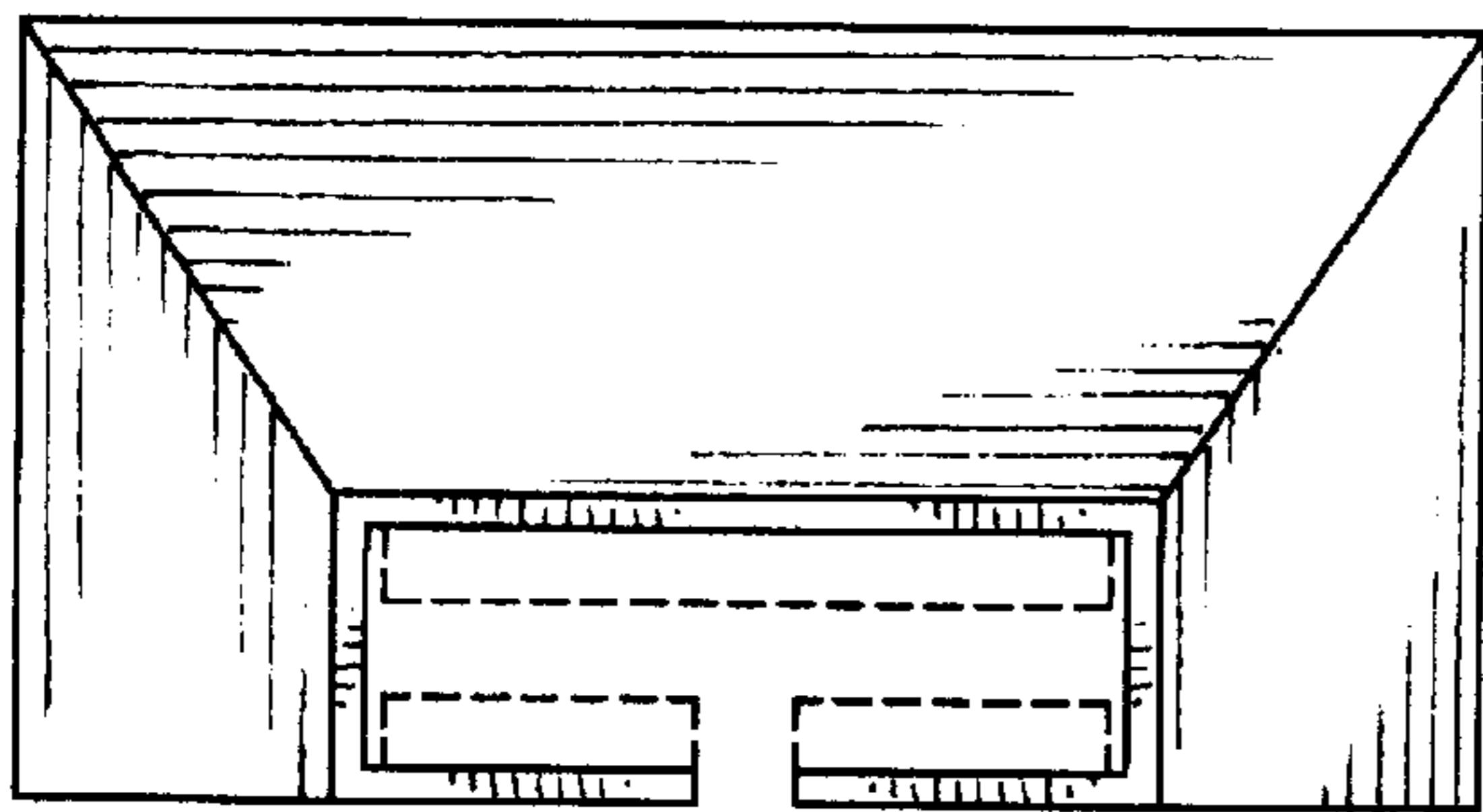


FIG. 6

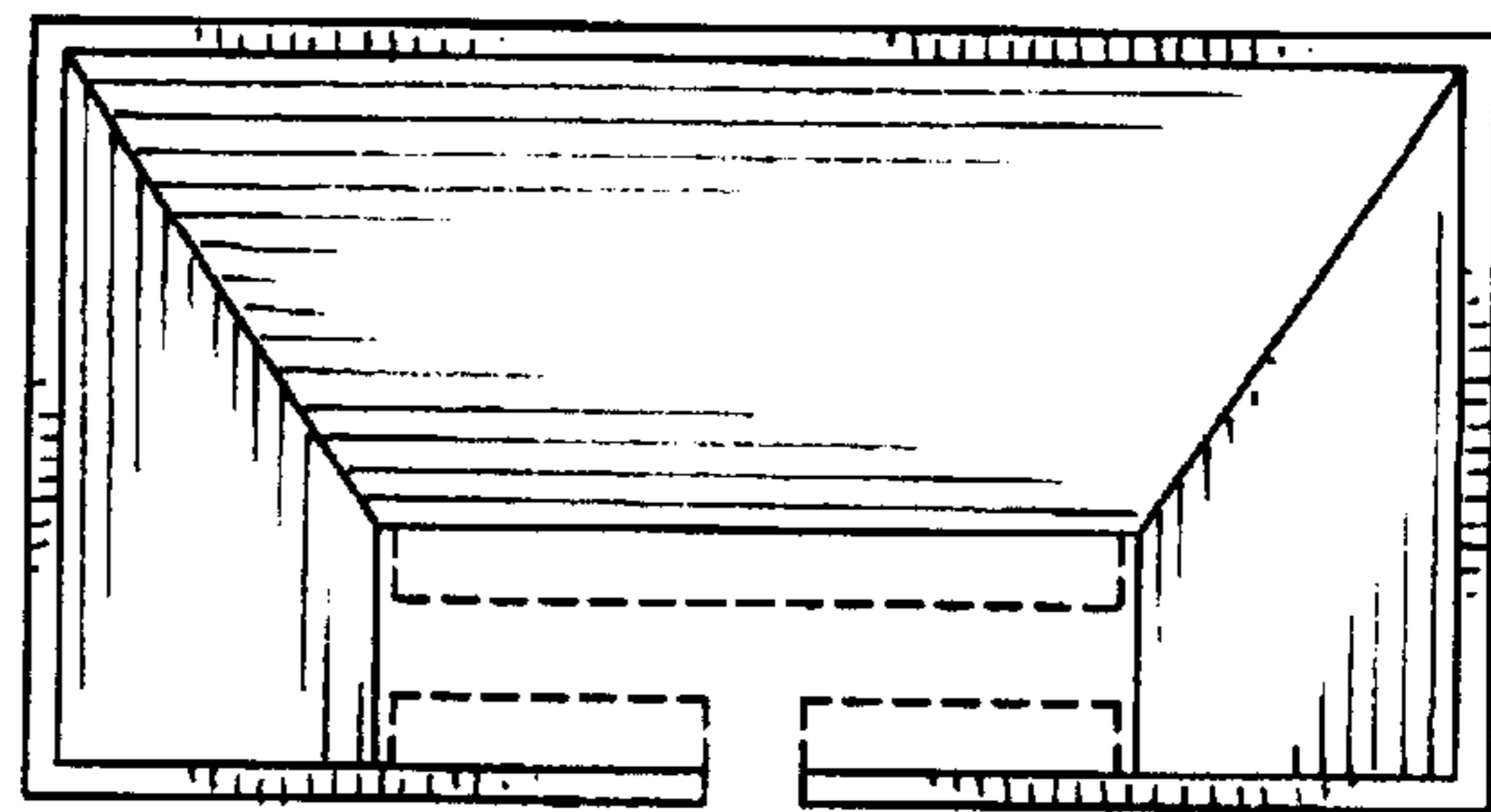


FIG. 7

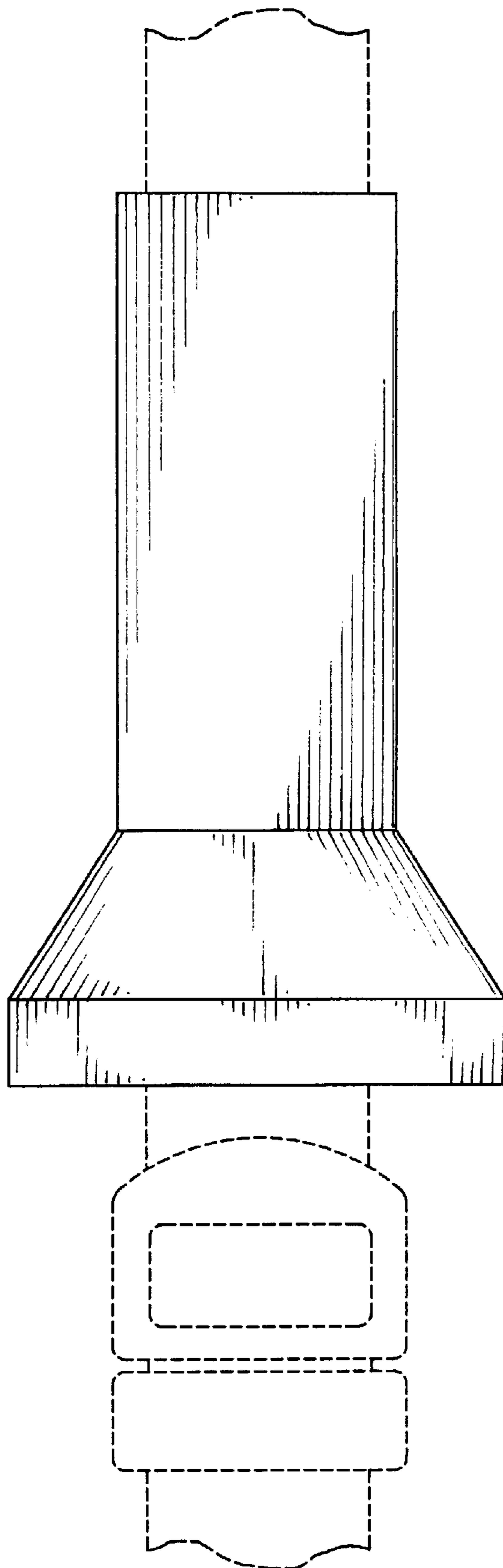


FIG. 8