



US00D530879S

(12) **United States Design Patent**
Iturbide Jimenez et al.

(10) **Patent No.:** **US D530,879 S**
(45) **Date of Patent:** **** Oct. 24, 2006**

- (54) **WHEELBARROW STABILIZER**
- (75) Inventors: **Salvador Iturbide Jimenez**, Atizapan de Zaragoza (MX); **Eduardo Lagunes Hernandez**, Cuautitlan (MX)
- (73) Assignee: **Truper Herramientas, S.A. de C.V.** (MX)
- (**) Term: **14 Years**

(21) Appl. No.: **29/221,647**
(22) Filed: **Jan. 21, 2005**

- (51) **LOC (8) Cl.** **12-02**
- (52) **U.S. Cl.** **D34/27**
- (58) **Field of Classification Search** D34/12-27;
280/47.12, 47.18, 40, 655, 767, 656, 47.31,
280/30, 47.23; 298/3

See application file for complete search history.

(56) **References Cited**

U.S. PATENT DOCUMENTS

- 253,004 A * 1/1882 Clark 188/23
- 1,321,982 A * 11/1919 Choate 108/13
- 1,356,672 A * 10/1920 Turner 414/457
- D404,881 S * 1/1999 Shuchart et al. D34/27
- D404,882 S * 1/1999 Shuchart et al. D34/27
- D404,883 S * 1/1999 Shuchart et al. D34/27

- D408,607 S * 4/1999 Shuchart et al. D34/27
- D408,955 S * 4/1999 Shuchart et al. D34/27
- 2003/0217875 A1 * 11/2003 Benton et al. 180/54.2

* cited by examiner

Primary Examiner—Freda Nunn

Assistant Examiner—Kevin K. Rudzinski

(74) *Attorney, Agent, or Firm*—Connolly Bove Lodge & Hutz LLP

(57) **CLAIM**

The ornamental design for a wheelbarrow stabilizer, as shown and described.

DESCRIPTION

FIG. 1 is a right side view of a wheelbarrow stabilizer, in accordance with our design.

FIG. 2 is a right side perspective view of the wheelbarrow stabilizer.

FIG. 3 is a right side view of the wheelbarrow stabilizer.

FIG. 4 is a left side view of the wheelbarrow stabilizer.

FIG. 5 is a front side view of the wheelbarrow stabilizer.

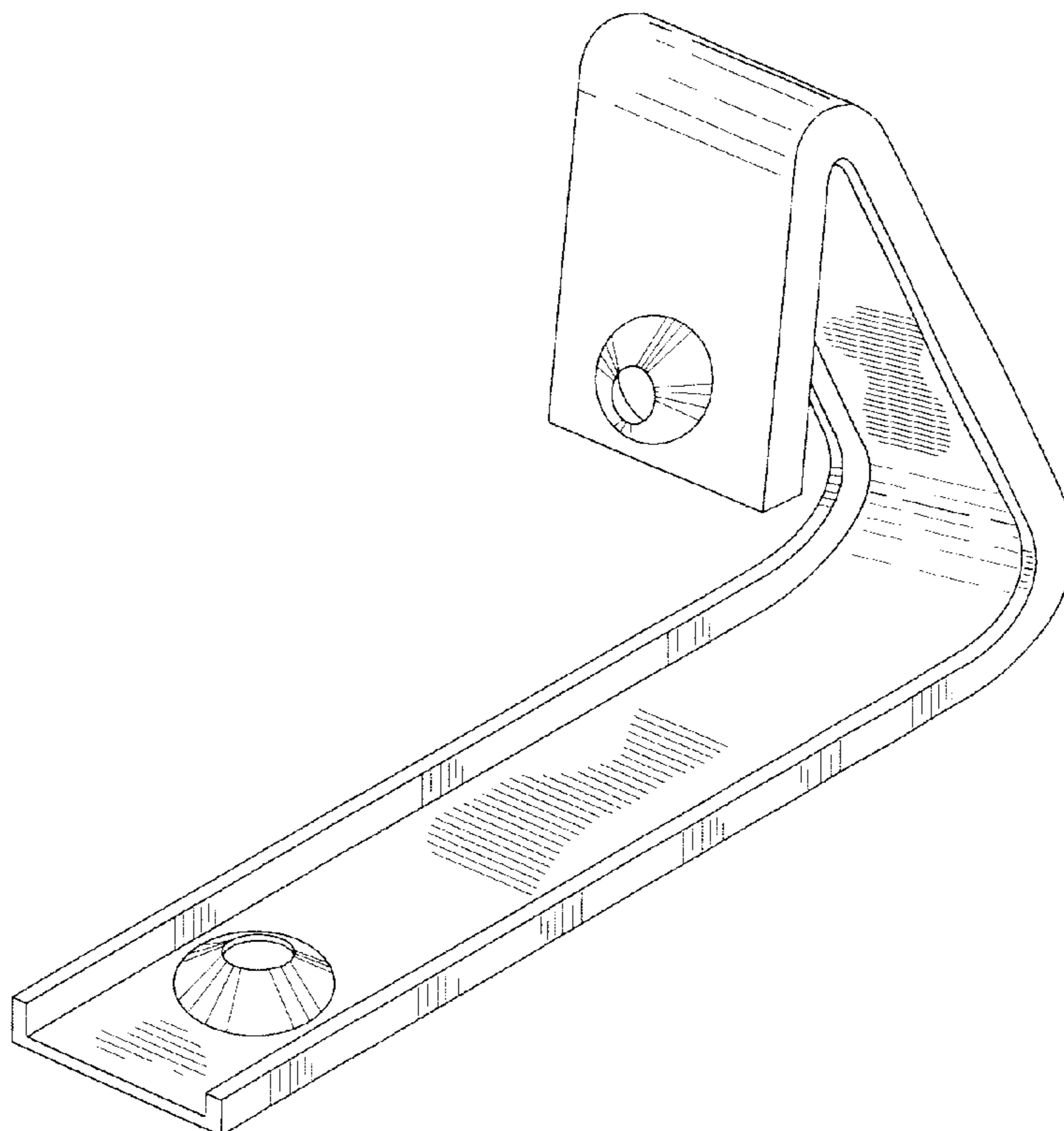
FIG. 6 is a back side view of the wheelbarrow stabilizer.

FIG. 7 is a top view of the wheelbarrow stabilizer; and,

FIG. 8 is a bottom view of the wheelbarrow stabilizer.

The broken line showing of a wheelbarrow is for illustrative purposes only and forms no part of the claimed design.

1 Claim, 8 Drawing Sheets



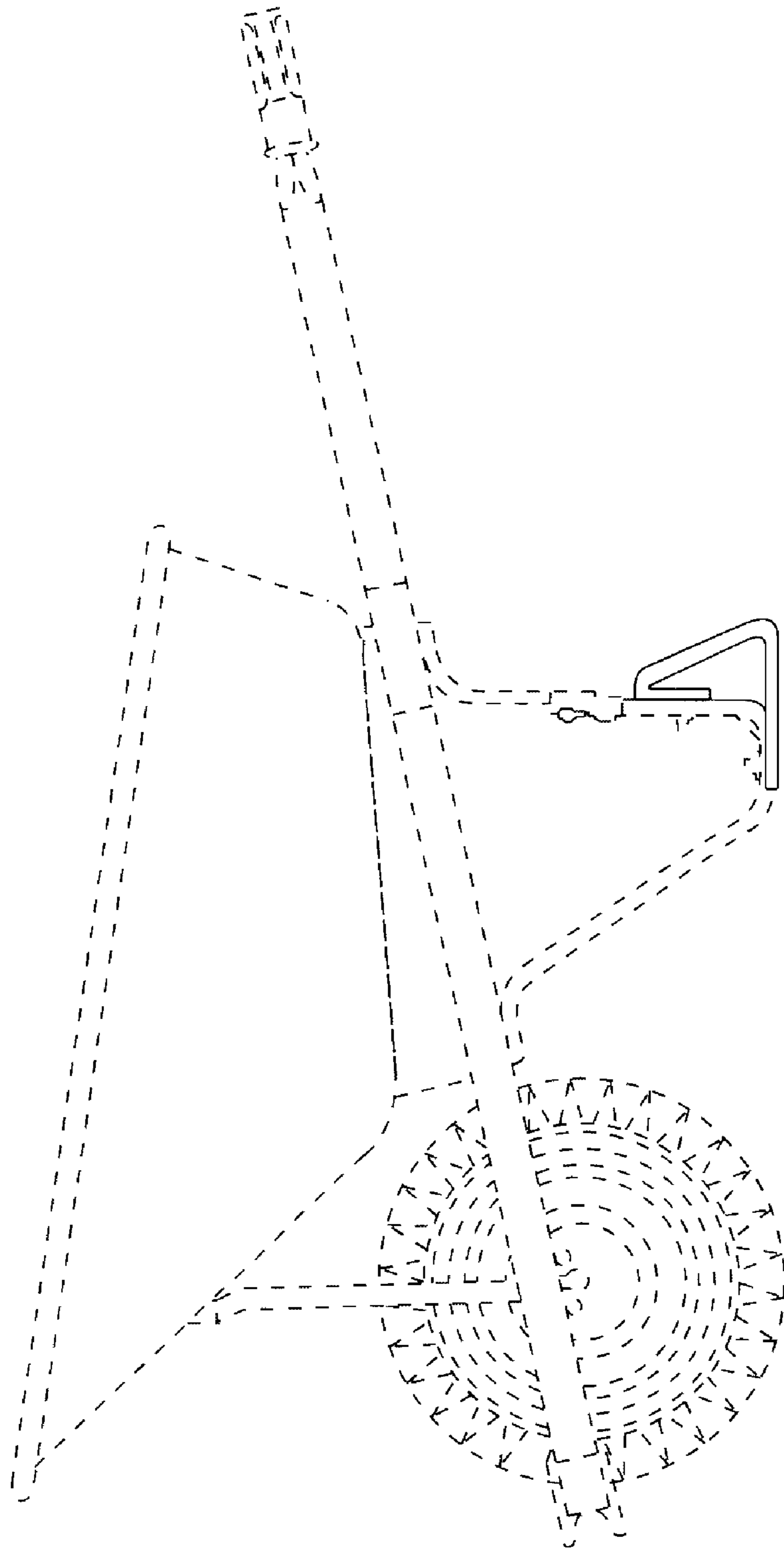
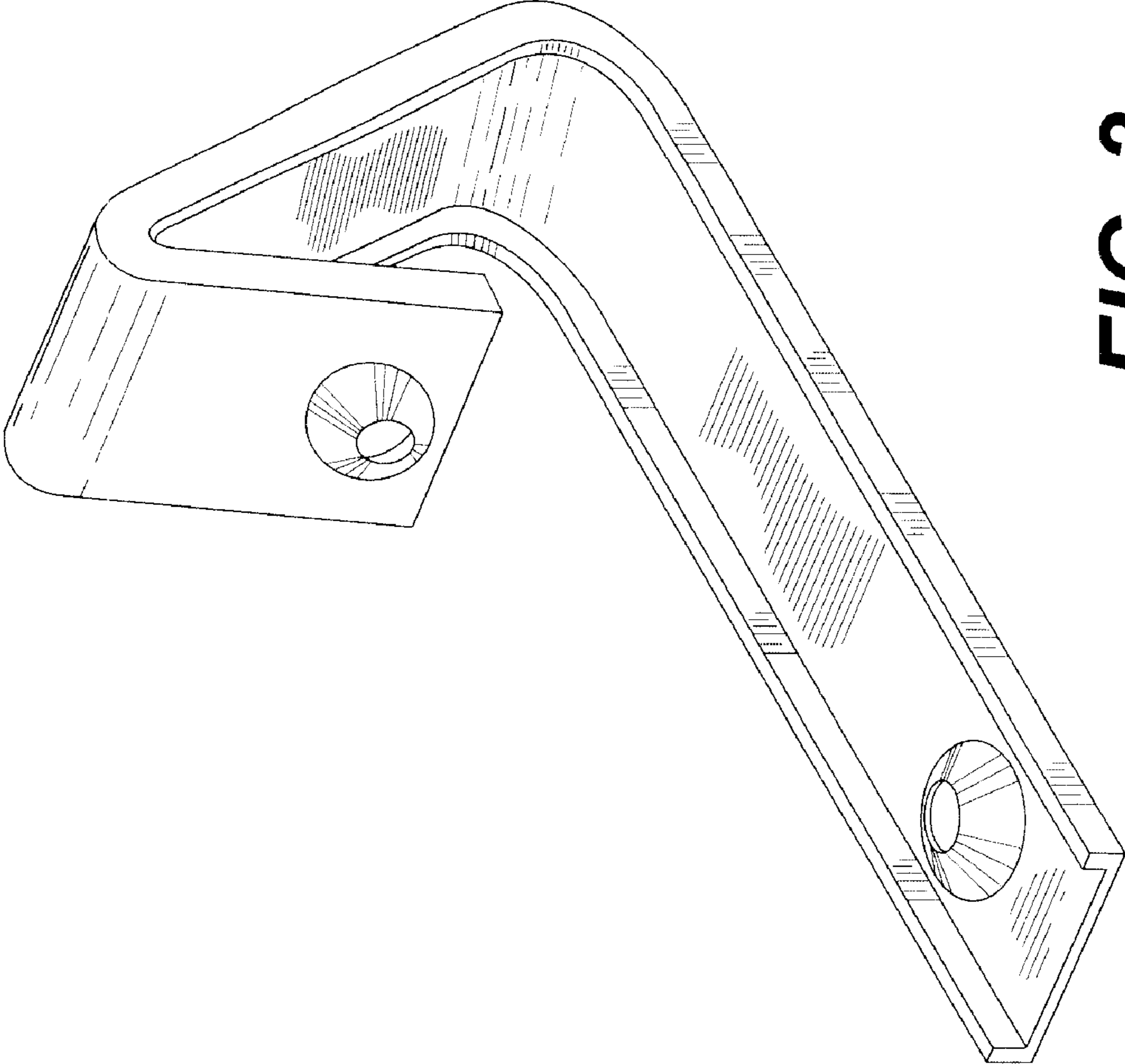


FIG. 1



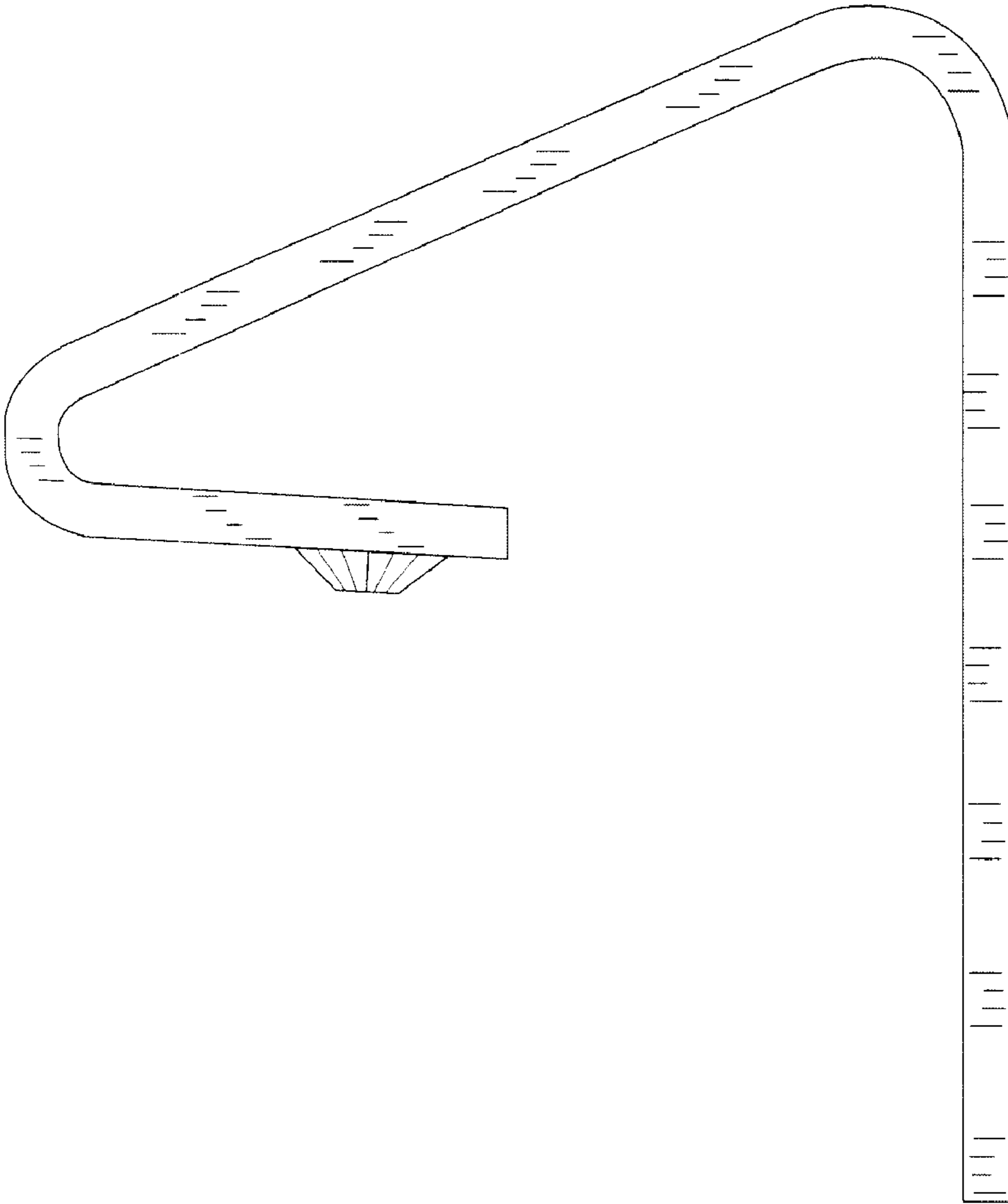


FIG. 3

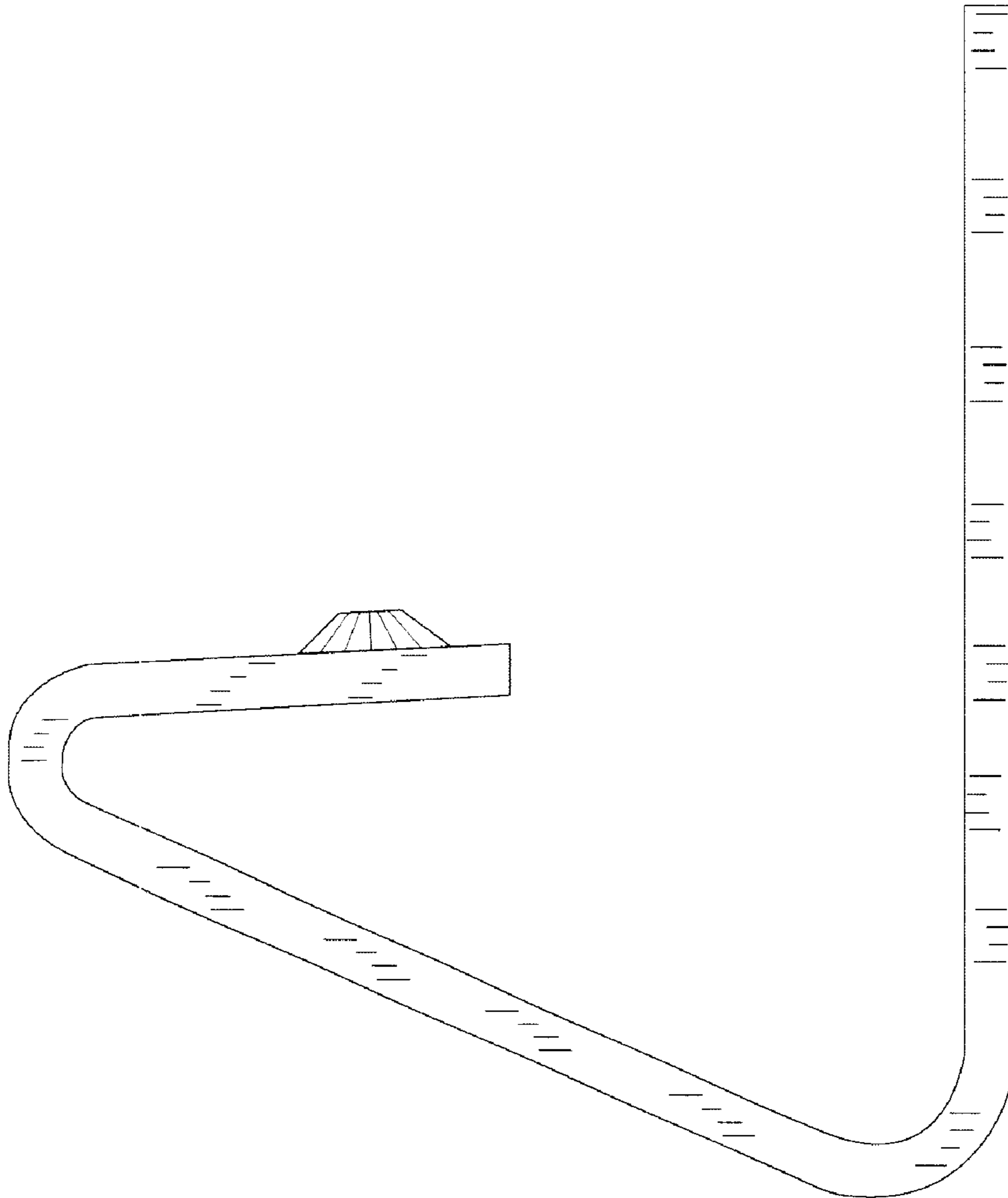


FIG. 4

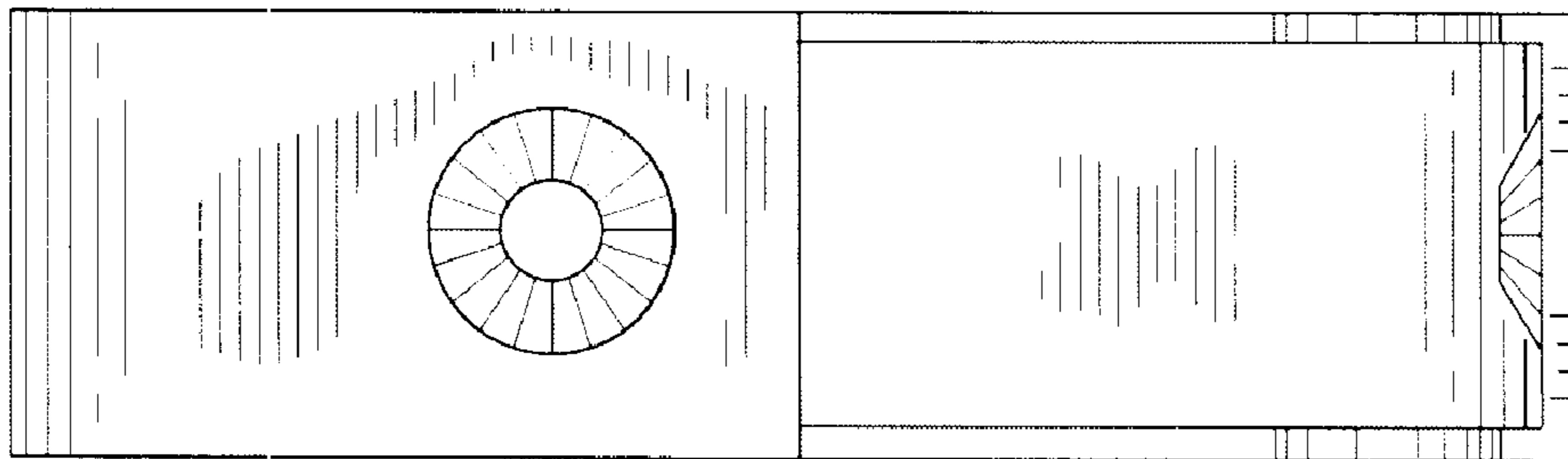


FIG. 5

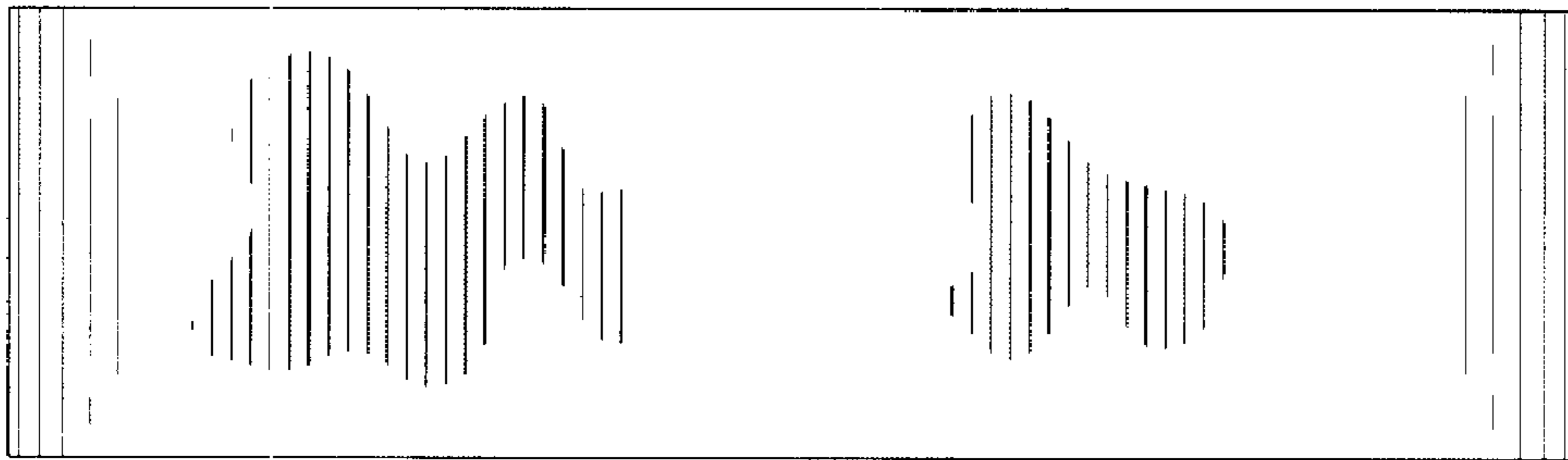


FIG. 6

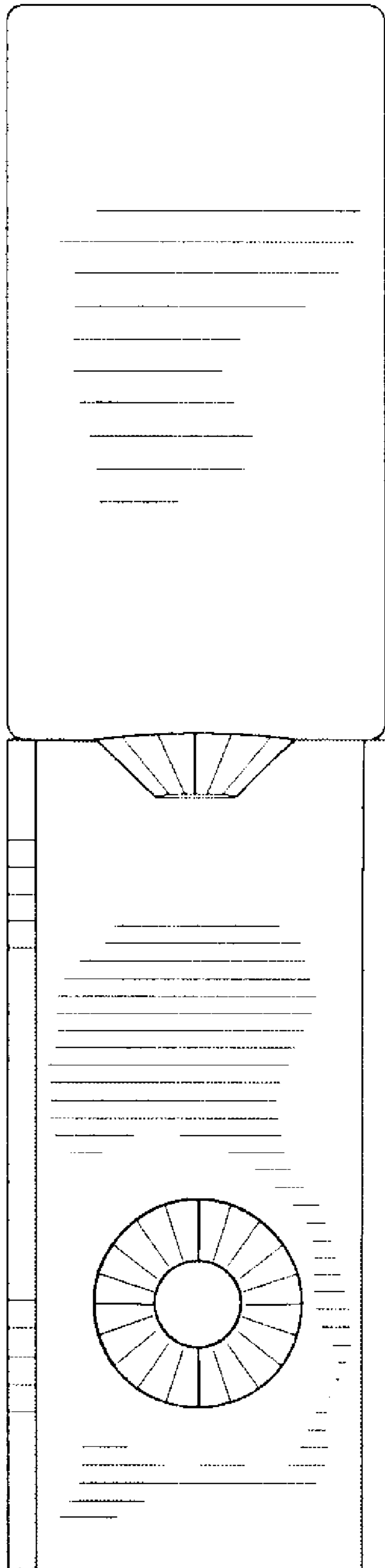


FIG. 7

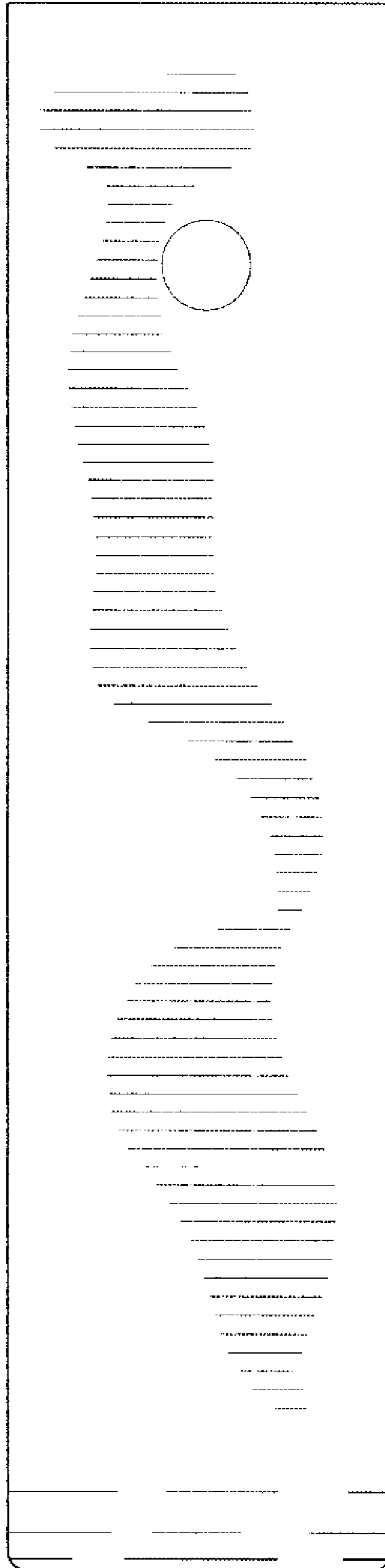


FIG. 8