

US00D530878S

(12) **United States Design Patent**
Ruppert et al.

(10) **Patent No.:** **US D530,878 S**

(45) **Date of Patent:** **** Oct. 24, 2006**

(54) **PALLET TRUCK**

(75) Inventors: **Adam M. Ruppert**, Wapakoneta, OH (US); **James V. Kraimer**, Celina, OH (US)

(73) Assignee: **Crown Equipment Corporation**, New Bremen, OH (US)

(**) **Term:** **14 Years**

(21) Appl. No.: **29/227,476**

(22) Filed: **Apr. 12, 2005**

(51) **LOC (8) Cl.** **12-02**

(52) **U.S. Cl.** **D34/23**

(58) **Field of Classification Search** D34/12-27,
D34/31, 34, 28; 280/43.12, 43.23, 770, 47.11,
280/651; 414/495, 785; 187/237

See application file for complete search history.

(56) **References Cited**

U.S. PATENT DOCUMENTS

3,026,089	A	*	3/1962	Meister	280/43.12
3,286,985	A	*	11/1966	Edera	254/2 B
3,843,147	A	*	10/1974	Fredricson	280/43.12
3,982,767	A	*	9/1976	Larsson et al.	280/43.12
4,223,901	A	*	9/1980	Klemick	280/43.12
4,497,501	A	*	2/1985	Kedem	280/43.12
D305,949	S	*	2/1990	Kawada	D34/31
D401,716	S	*	11/1998	Marcel	D34/34
D416,369	S	*	11/1999	Johansson	D34/28
D419,741	S	*	1/2000	Johansson	D34/28
D447,612	S	*	9/2001	Niebuhr	D34/34
2003/0197351	A1	*	10/2003	Burger et al.	280/651

OTHER PUBLICATIONS

Crown Advertisement brochure No. SF12208 Rev. Oct. 2002 entitled Crown PTH 50 Series.

Photo of ROBUR hand pallet trucks.

Picture of CE hand pallet truck.

BT Lifter brochure and photographs for Models L200 Inox and L2000.

Photo of Atlet hand pallet truck.

Photos of Easylift Bolzoni hand pallet truck.
 Photo of Hyster hand pallet truck.
 Carreffe Truck pallet truck manual.
 Carreffe high lift pallet trucks.
 Despa pallet truck brochure/showing.
 Specifications and photos of Genkinger pallet trucks.
 Photos of Carreffe weighing pallet truck.
 EP Hand Pallet Truck Specifications.
 EP Hand Pallet Truck photos.
 EP High Lift Hand Pallet Truck Specifications.
 Hyster PME2.0-PMQ2.2 Hand pallet trucks specification.
 Jungheinrich Hand Pallet Truck AM 2200 brochure.
 Jungheinrich AM 2200 Hand Pallet Truck (2200 kg) brochure.
 Jungheinrich AM 3000 Hand Pallet Truck brochure.

(Continued)

Primary Examiner—Freda Nunn
Assistant Examiner—Kevin K. Rudzinski
 (74) *Attorney, Agent, or Firm*—Steven & Showalter LLP

(57) **CLAIM**

The ornamental design for a pallet truck, as shown and described.

DESCRIPTION

FIG. 1 is a isometric view of a pallet truck taken from the left rear of the truck (the forks of the pallet truck defining the front with right and left being as viewed by an operator of the pallet truck);

FIG. 2 is a isometric view of the pallet truck taken from the left front of the truck;

FIG. 3 is an elevational view of the top of the pallet truck;

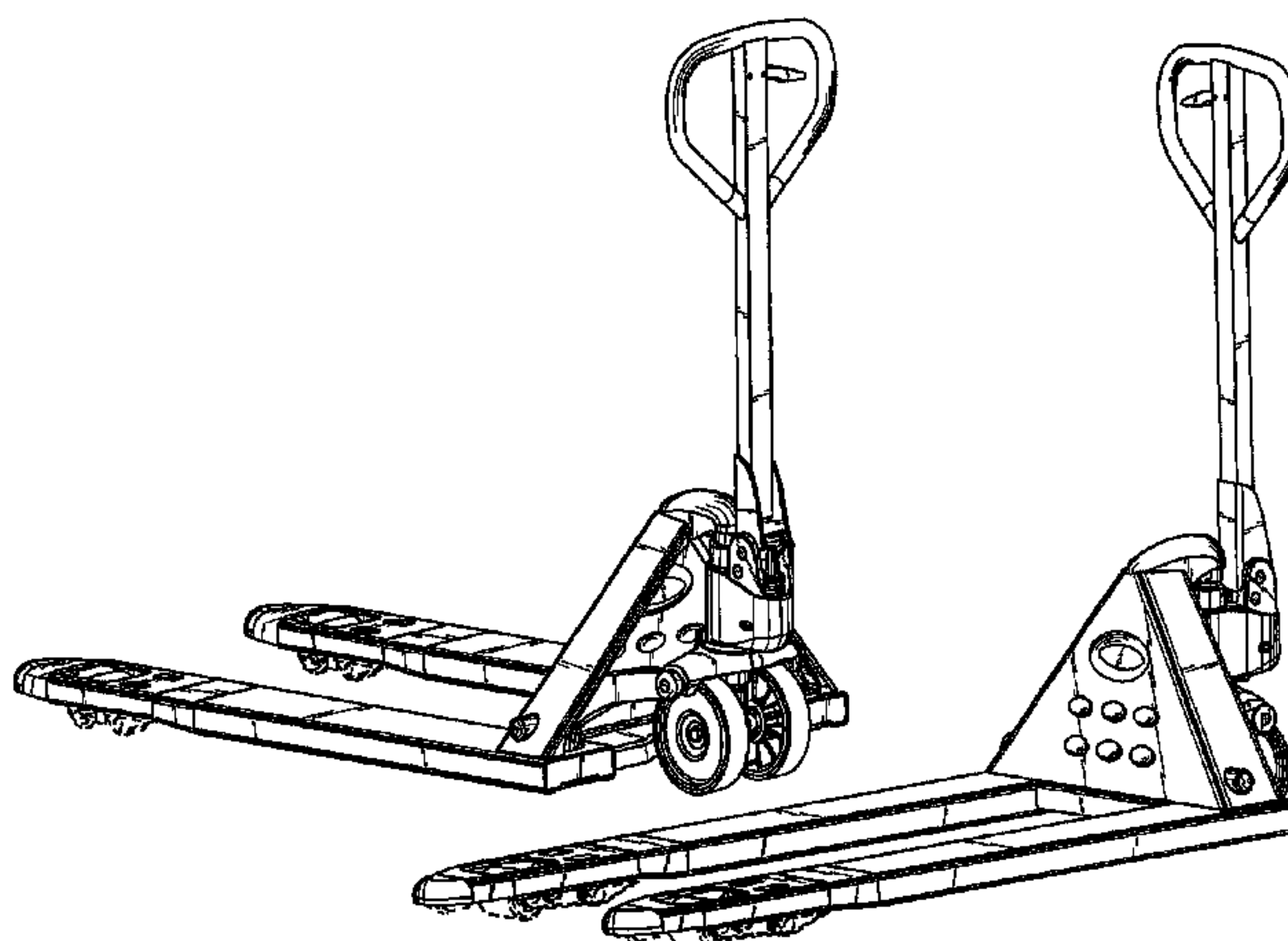
FIG. 4 is an elevational view of the right side of the pallet truck, the left side view of the truck being a mirror image of the right side view;

FIG. 5 is an elevational view of the front of the pallet truck; and,

FIG. 6 is an elevational back view of the pallet truck.

The broken line showing of the front wheels is for illustrative purposes only and forms no part of the claimed design.

1 Claim, 3 Drawing Sheets



OTHER PUBLICATIONS

Jungheinrich AMW 22.2/22.4 Hand Pallet Truck with weighing device brochure.
Jungheinrich AMX/AMX-E scissors lift pallet truck brochure.
Jungheinrich Scissor Lift Hand Pallet Truck AM 2000 X and AM 2000 XE brochure.
Linde Tiller Pallet Trucks brochure.
Linde Tiller-controlled Pallet Trucks brochure.
Linde Hand Pallet Truck brochure.
LOC hand pallet trucks.
Logitrans Pallet Trucks brochure.
Logitrans Pallet Trucks specifications.
MIC advertisement brochure.
Photos of Linde pallet trucks.
Photos of MIC pallet trucks.
MIC Hand Pallet Truck TM 22 advertisement brochure.
MIC Hand Pallet Truck with integrated weighing system TMW 22.2/22.4 brochure.
MIC Scissor Lift Hand Pallet Truck TMX 10 TMXE 10 brochure.
NOBLIFT Model AC Series Pallet Truck brochure.
Pramac Hand Pallet Truck brochure.
Rocla BF25 pallet truck brochure.
Rocla TMA25 pallet truck brochure.
Samag Hand Pallet Truck specifications.
STILL Hand Pallet Trucks HP Technical Data brochure for Models HP 22/30, HP 10X, HP 10XE.
Toyota Hand-Pallet Truck HT23 & HT23Q specifications.
Toyota High Lift Electric Hand-Pallet Truck HTH10E.
Toyota High Lift Hand-Pallet Truck HTH10M.
Photo of Toyota hand pallet truck.
Photo of Toyota hand pallet truck and wheels.
Ningbo Ruyi Joint Stock Co., Ltd., XILIN BE Hydraulic Pallet Truck specifications.

Ningbo Ruyi Joint Stock Co., Ltd., XILIN NF Hydraulic Pallet Truck specifications.
Yale Hand Pallet Trucks Models HP20E Easy-Lift version and HP22QL Quick-Lift version specifications.
Photo of Yale Quicklift pallet truck.
Photos of BELET Holding Side Roller Pallet Truck and Quick Lift Pallet Truck.
Photo of Belet Holding Model BH Low Pallet Truck Super-Lowered Lifting.
BT brochure for HL 10/HLE 10 BT High Lifter.
BT brochure for L23/L23Q/L30 BT Lifter.
BT brochure for L 20 Stainless, HL/HLE 10 I, Handhubwagen L 20 Stainless, Scherenhubwagen HL/HLE INOX.
BT brochure for weighing pallet truck.
Icem hand pallet trucks brochure.
Magazine article on Incab/Hand-Hub Pallet Jack, pp. 24-27.
Icab/Hoch-Hub brochure for Manuelle Versionen Manuell S-600, pp. 18-19.
Incab/Scheren-Hub brochure for High Lift Manuell Elektrisch and Pallet Jack, pp. 28-31.
Stöcklin NHR 2000 specification.
Stöcklin SHR 2000-SF specification.
Stöcklin SHR 2000 specification.
Stöcklin SHR 2000-WAAGE specification.
Stöcklin SHR 2000-INOX specification.
Photo page of Deichsel-Hubwagen—Stand-/Sitz-Hubwagen-Kommissionierer Handhubwagen models SHR 2000, SHR 2000-Silent, SHR 2000-Frosty, SHR 2000-Waage, SHR 2000 SF, SHR 3000, SHR 2000-INOX, NHR 2000, Deichsel-Hubwagen.
Photos of Linde Pallet Truck.

* cited by examiner

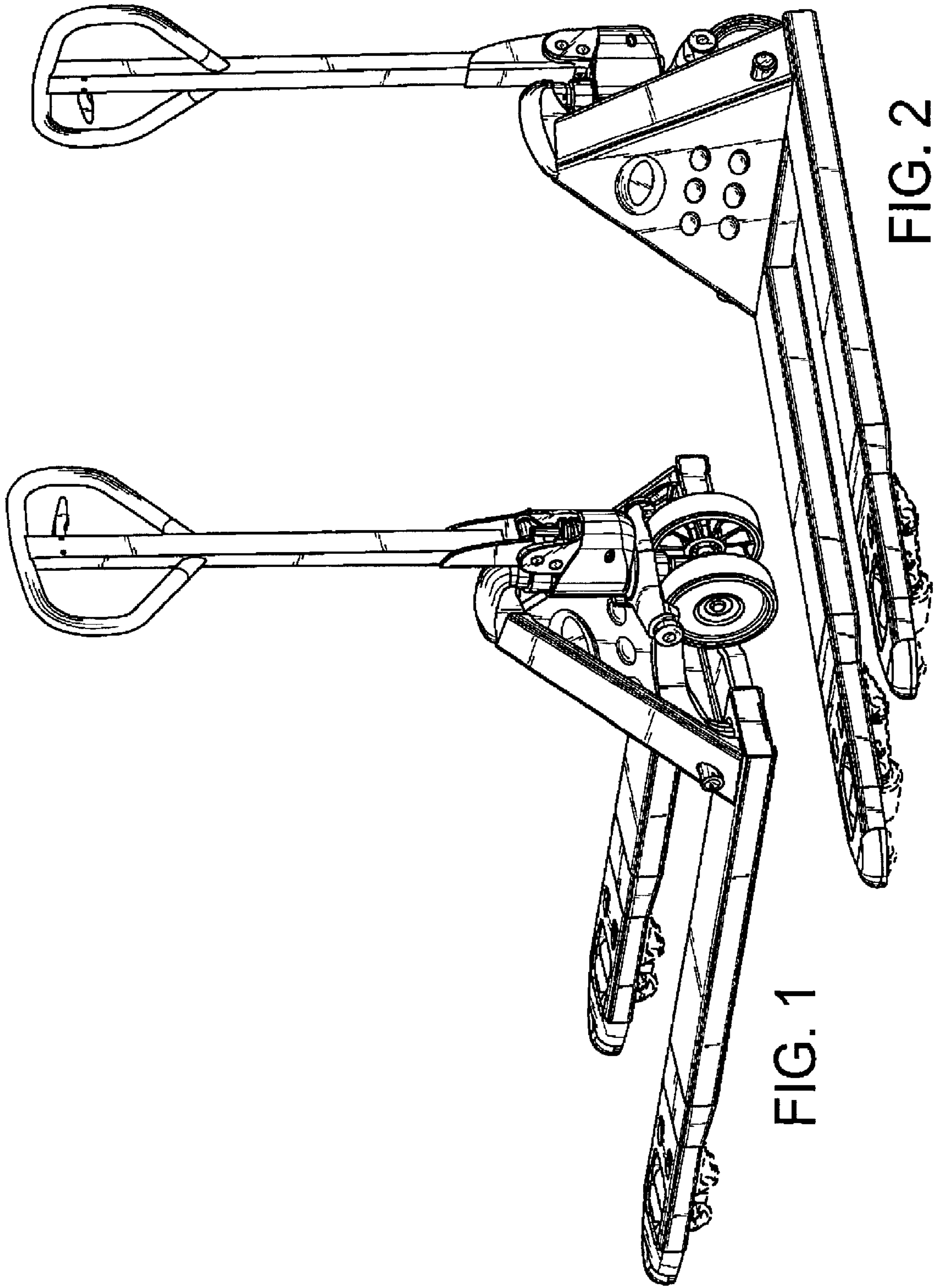


FIG. 1

FIG. 2

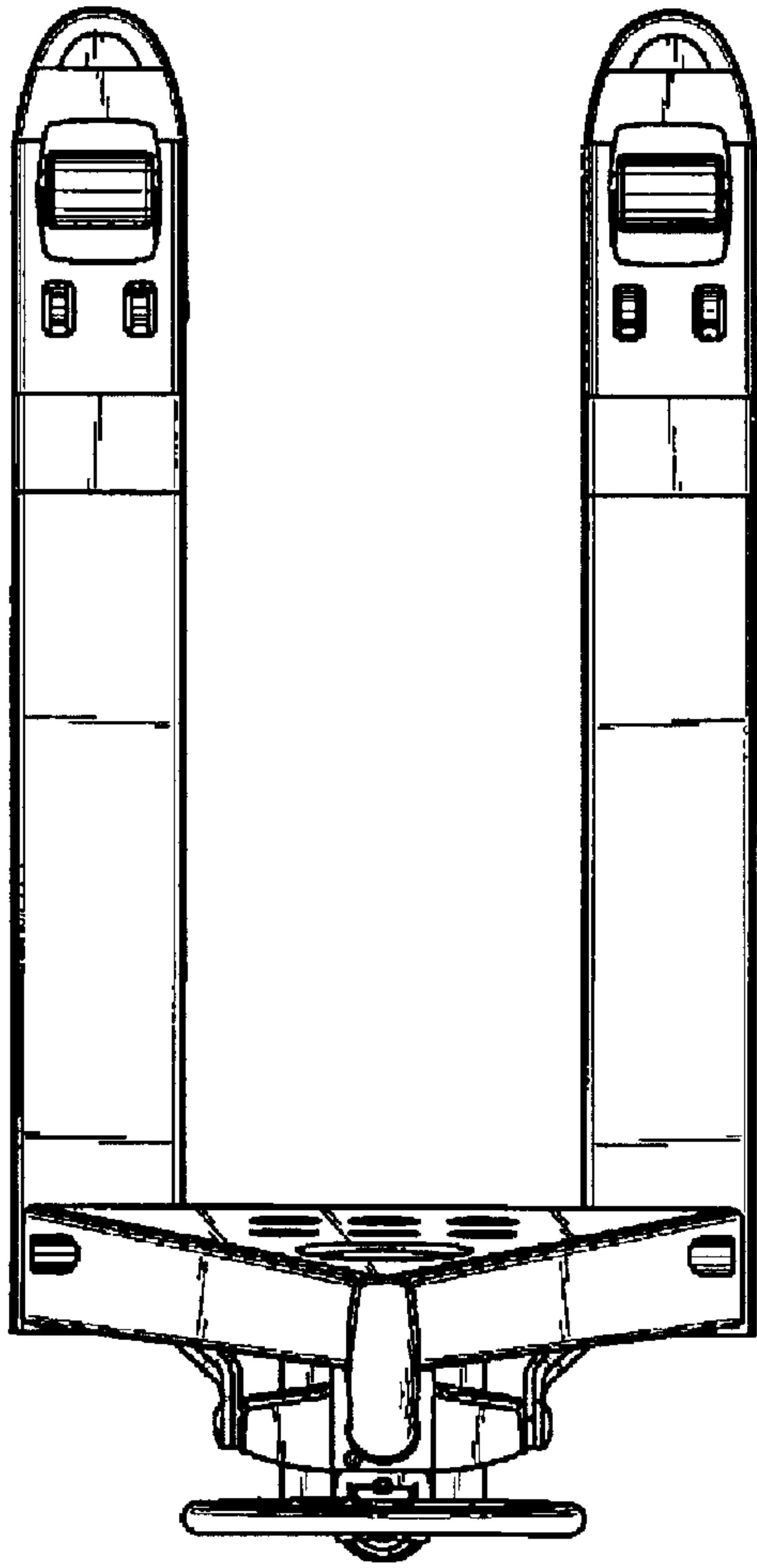


FIG. 3

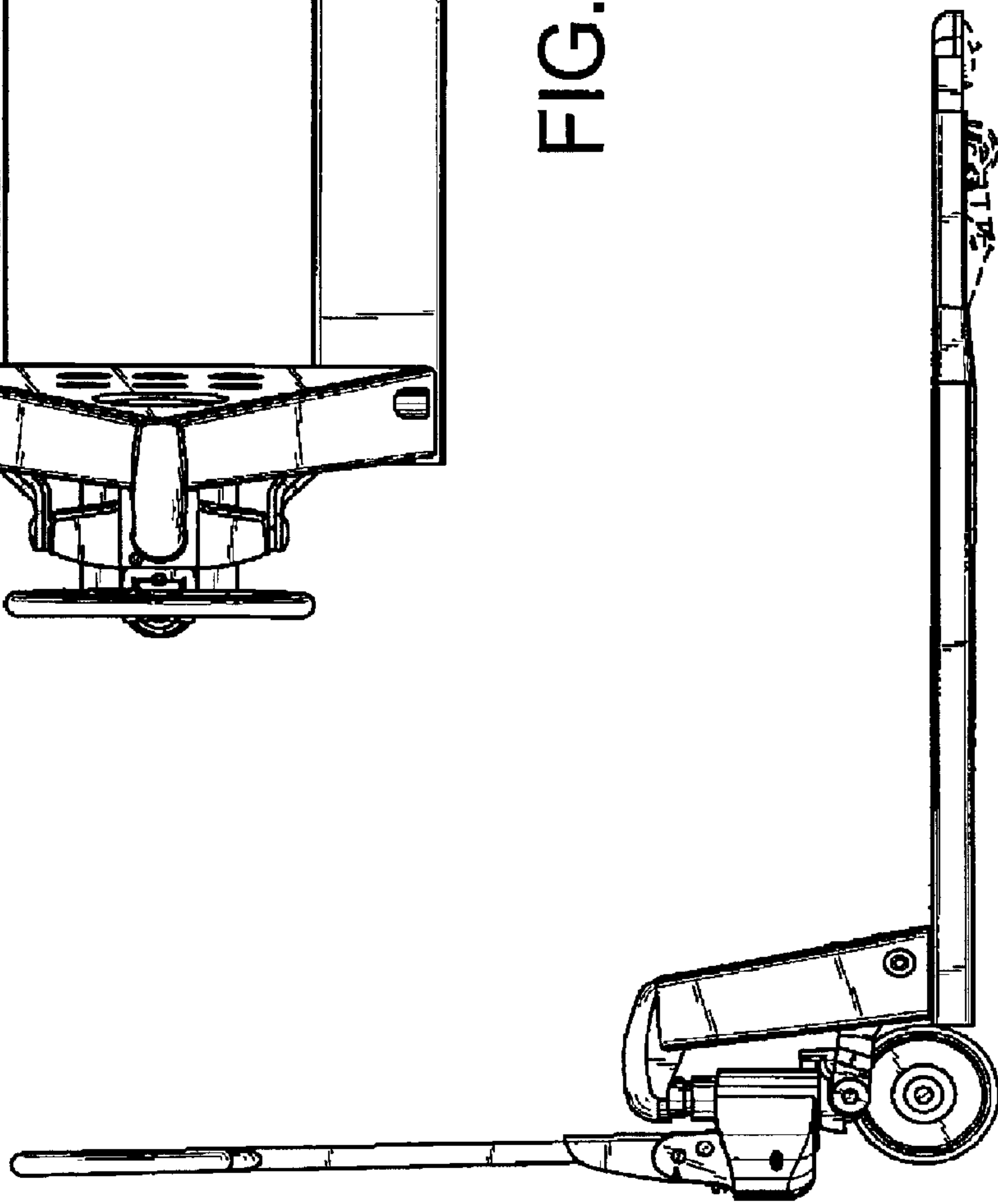


FIG. 4

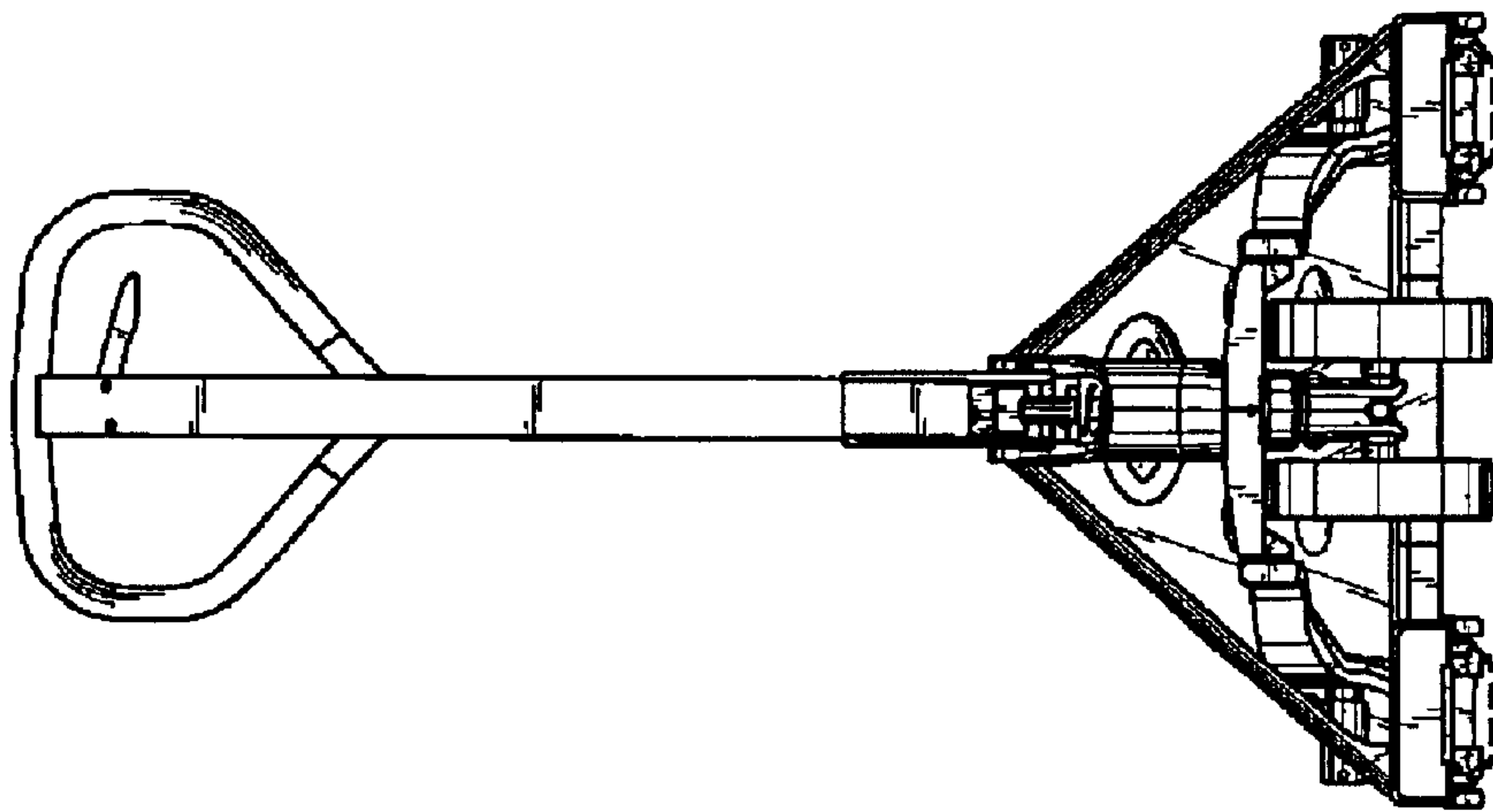


FIG. 6

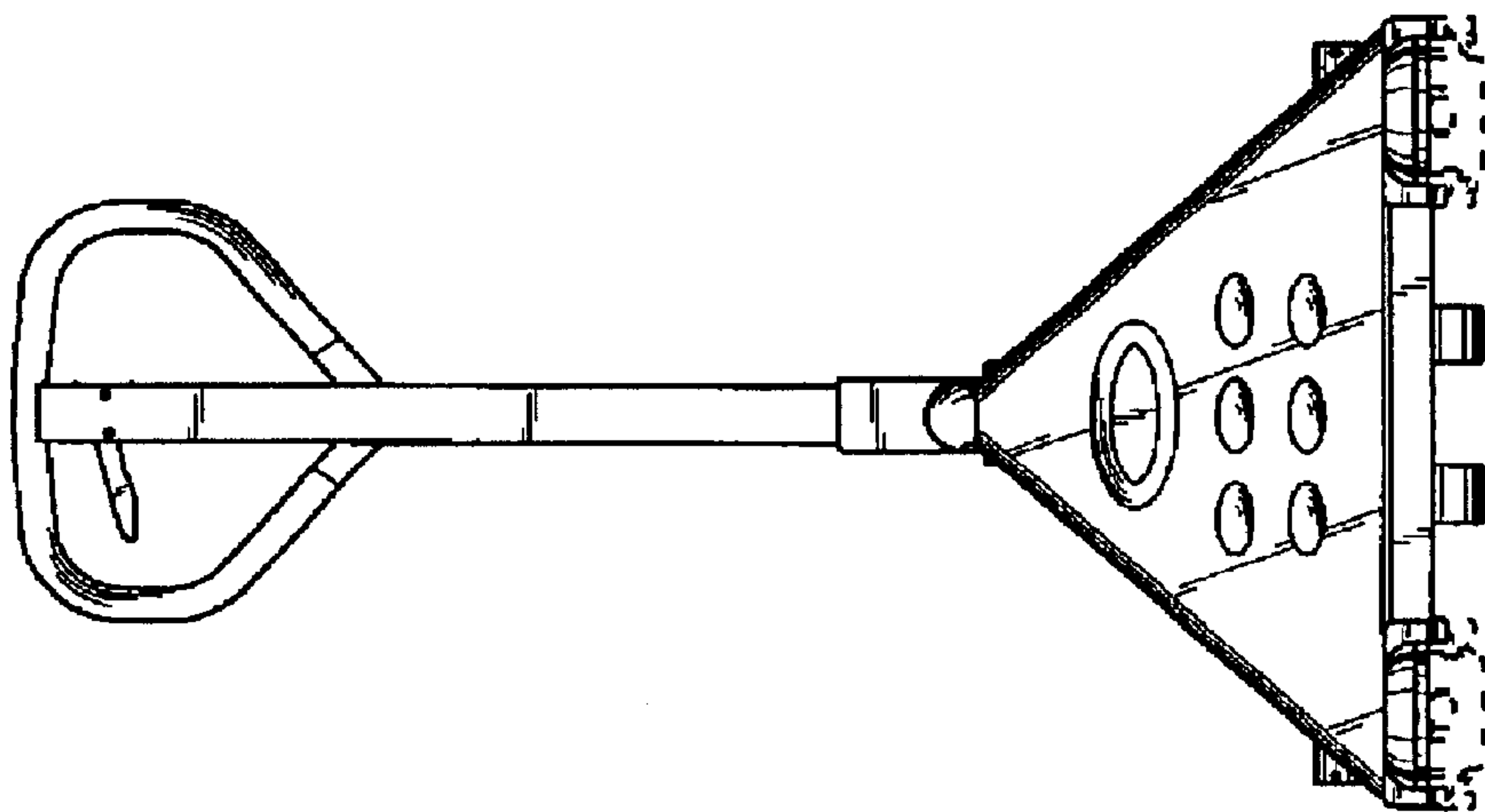


FIG. 5