



US00D530876S

(12) **United States Design Patent** (10) **Patent No.:** **US D530,876 S**  
**Wyse** (45) **Date of Patent:** **\*\* Oct. 24, 2006**

(54) **DRYWALL CART**

OTHER PUBLICATIONS

(76) Inventor: **Steven J. Wyse**, 82 Pin Oak, Archbold, OH (US) 43502

Granite Industries Catalog entitled "Granite Scaffold" (Published prior to Oct. 14, 2004).

(\*\*) Term: **14 Years**

\* cited by examiner

(21) Appl. No.: **29/240,587**

*Primary Examiner*—Freda S. Nunn

*Assistant Examiner*—Kevin K. Rudzinski

(22) Filed: **Oct. 14, 2005**

(74) *Attorney, Agent, or Firm*—Hovey Williams LLP

(51) **LOC (8) Cl.** ..... **12-02**

(57) **CLAIM**

(52) **U.S. Cl.** ..... **D34/17**

The ornamental design for a drywall cart, as shown and described.

(58) **Field of Classification Search** ..... D34/12-27;  
280/47.17, 47.13, 47.19, 47.35, 79.11, 79.4,  
280/47.34, 47.24, 656; D6/426

**DESCRIPTION**

See application file for complete search history.

This application is being filed contemporaneously with application for U.S. Letters Patent Ser. No. 11/163,330, entitled drywall cart, which is hereby incorporated by reference herein.

(56) **References Cited**

U.S. PATENT DOCUMENTS

D213,679	S	*	4/1969	Mayer	.....	D34/23
D247,034	S	*	1/1978	Brodmann	.....	D14/224
D247,036	S	*	1/1978	Brodmann	.....	D14/224
D263,691	S	*	4/1982	Streiff	.....	D34/26
D269,388	S	*	6/1983	Smith et al.	.....	D34/24
D271,719	S	*	12/1983	Streiff	.....	D34/26
4,530,510	A	*	7/1985	Driggers	.....	280/47.17
D307,209	S	*	4/1990	Gallagher	.....	D34/17
5,037,118	A	*	8/1991	Straube	.....	280/79.6
D348,132	S	*	6/1994	McCoy et al.	.....	D34/23
5,609,461	A	*	3/1997	Lichtenberg	.....	414/426
5,634,649	A	*	6/1997	Breining et al.	.....	280/47.35
D405,578	S	*	2/1999	Shumake	.....	D34/17
6,270,094	B1	*	8/2001	Campbell	.....	280/47.19
D449,415	S	*	10/2001	Durieux	.....	D34/17
6,786,503	B1	*	9/2004	Young	.....	280/656

FIG. 1 is a perspective view of a drywall cart embodying my design, with the wheel hubs, the caster yokes and attachment plates, the mounting brackets and fasteners associated with the caster attachment plates, and a pair of the removable uprights being shown in broken lines for illustrative purposes only and forming no part of the claimed design;

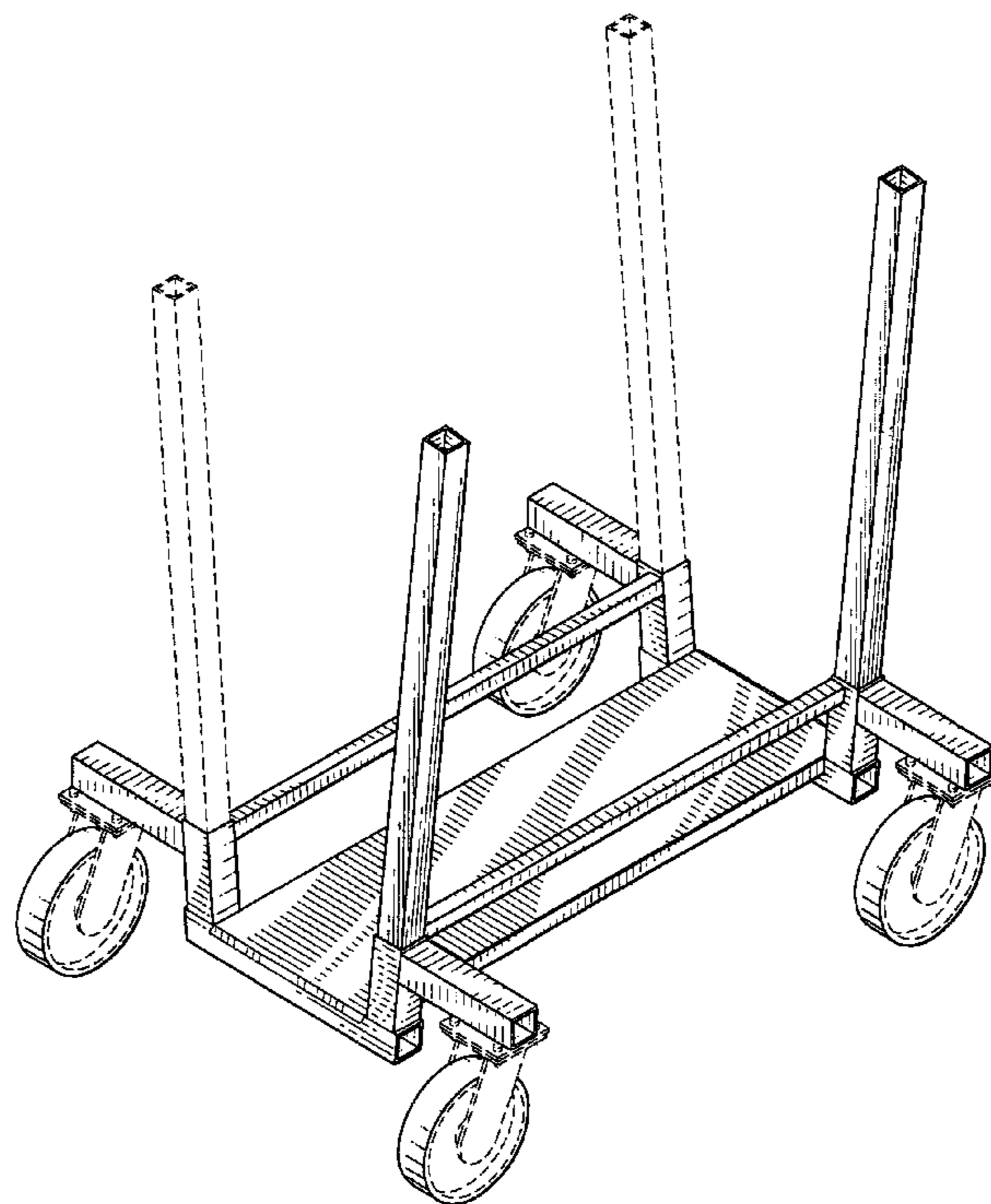
FIG. 2 is a perspective view of the drywall cart taken from an angle opposite that of FIG. 1;

FIG. 3 is a side elevation view thereof, with the opposite side elevation being a mirror image;

FIG. 4 is an end elevation view thereof, with the opposite end elevation being a mirror image; and,

FIG. 5 is a plan view thereof.

**1 Claim, 4 Drawing Sheets**



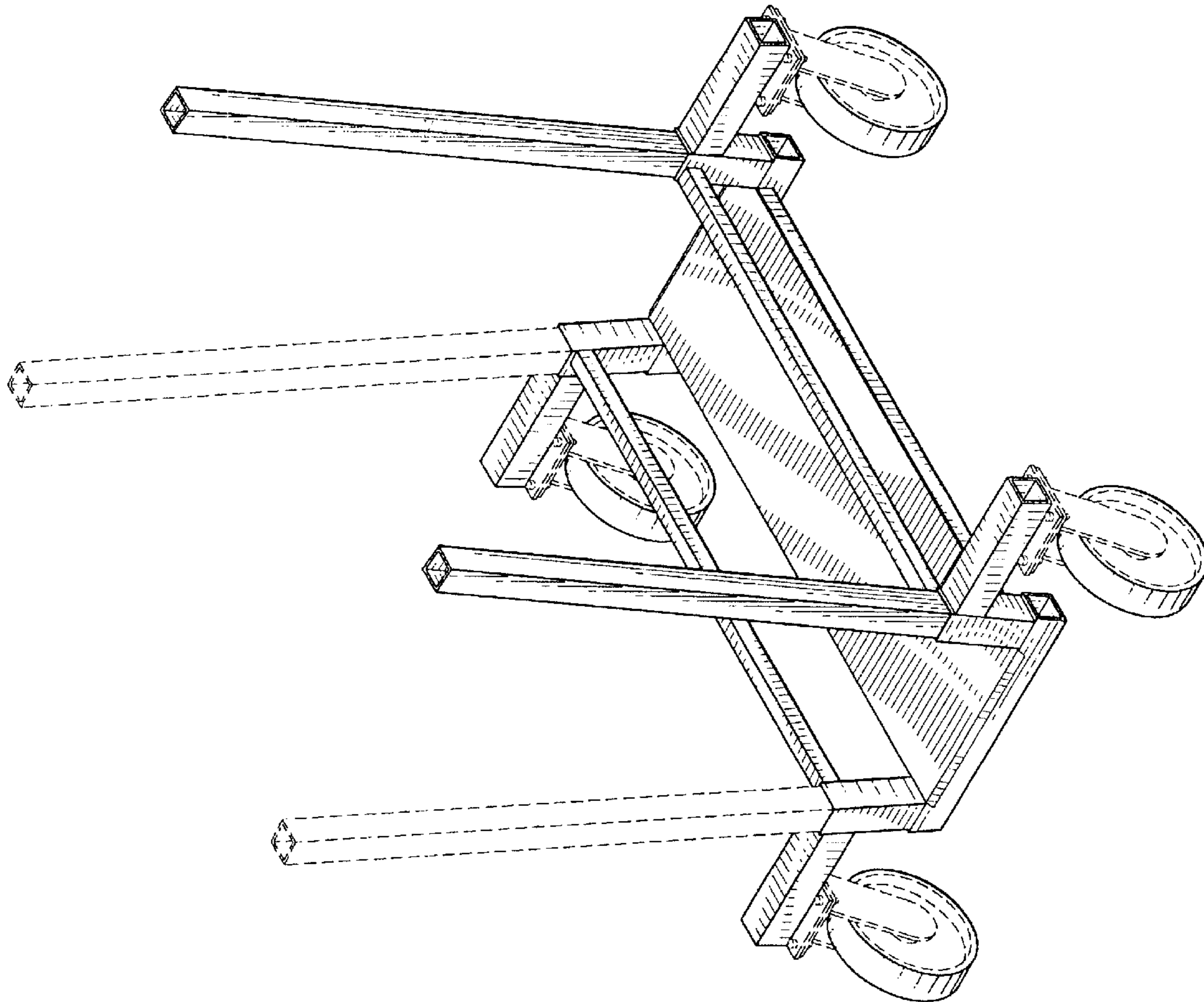
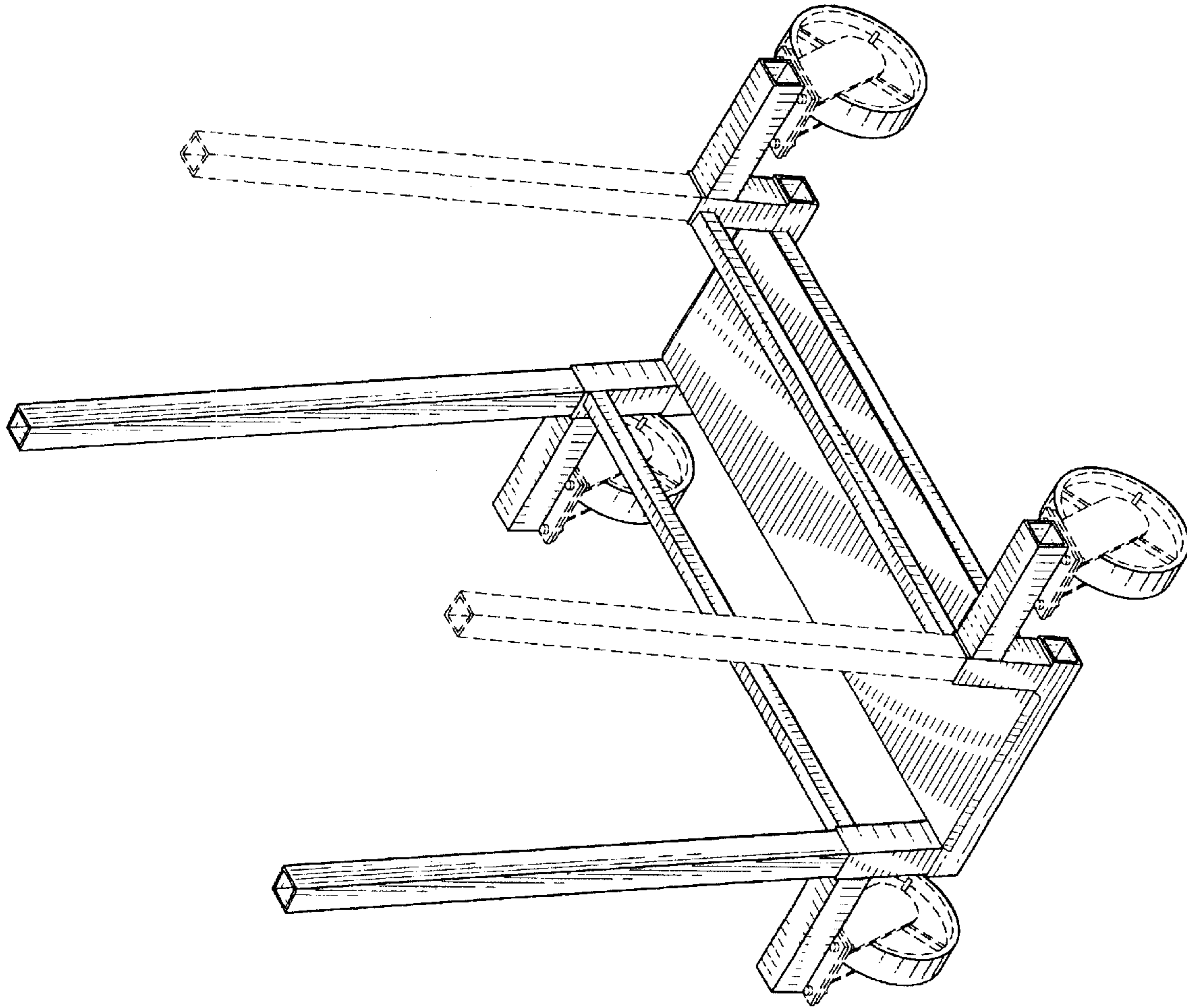
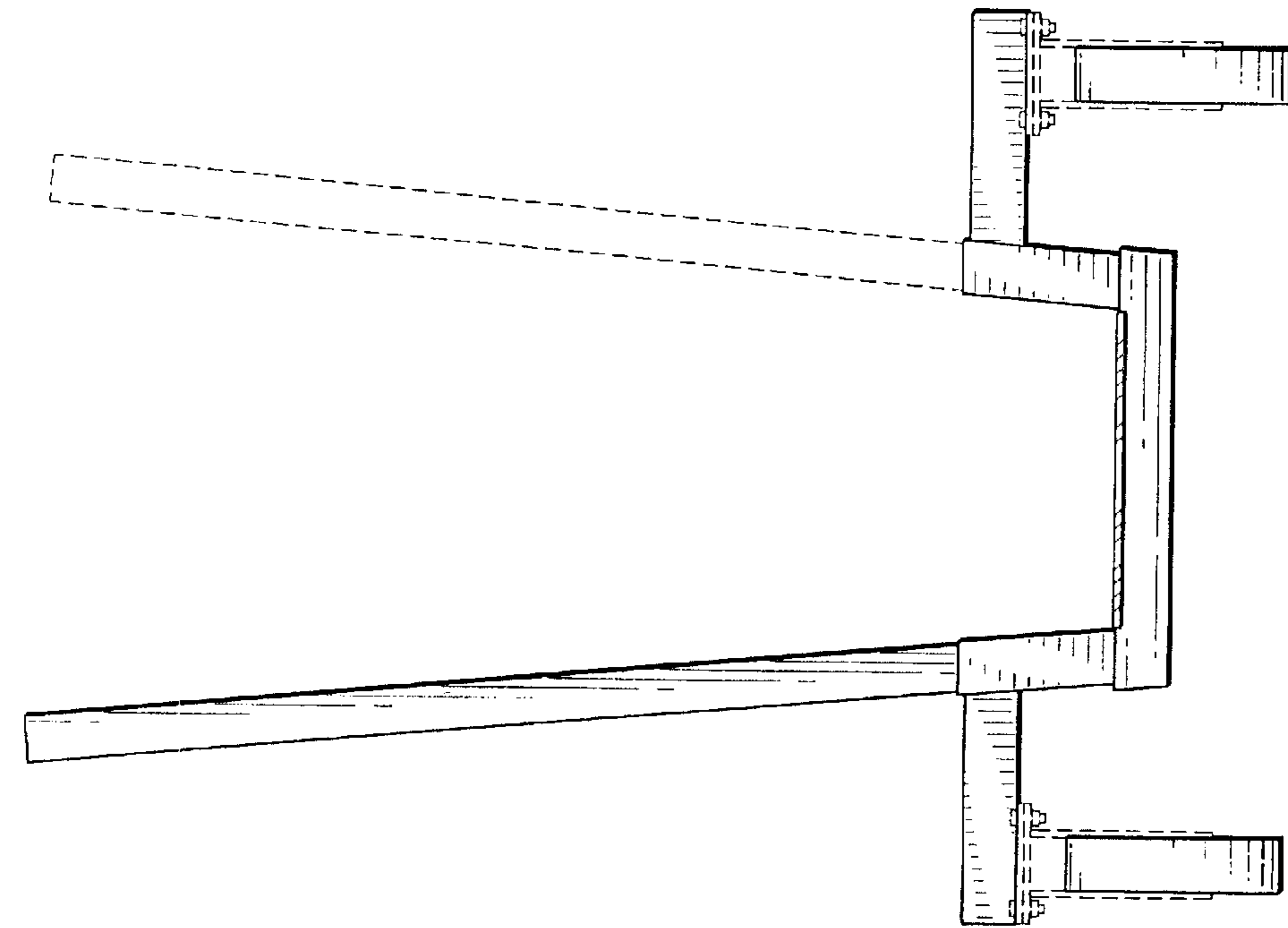


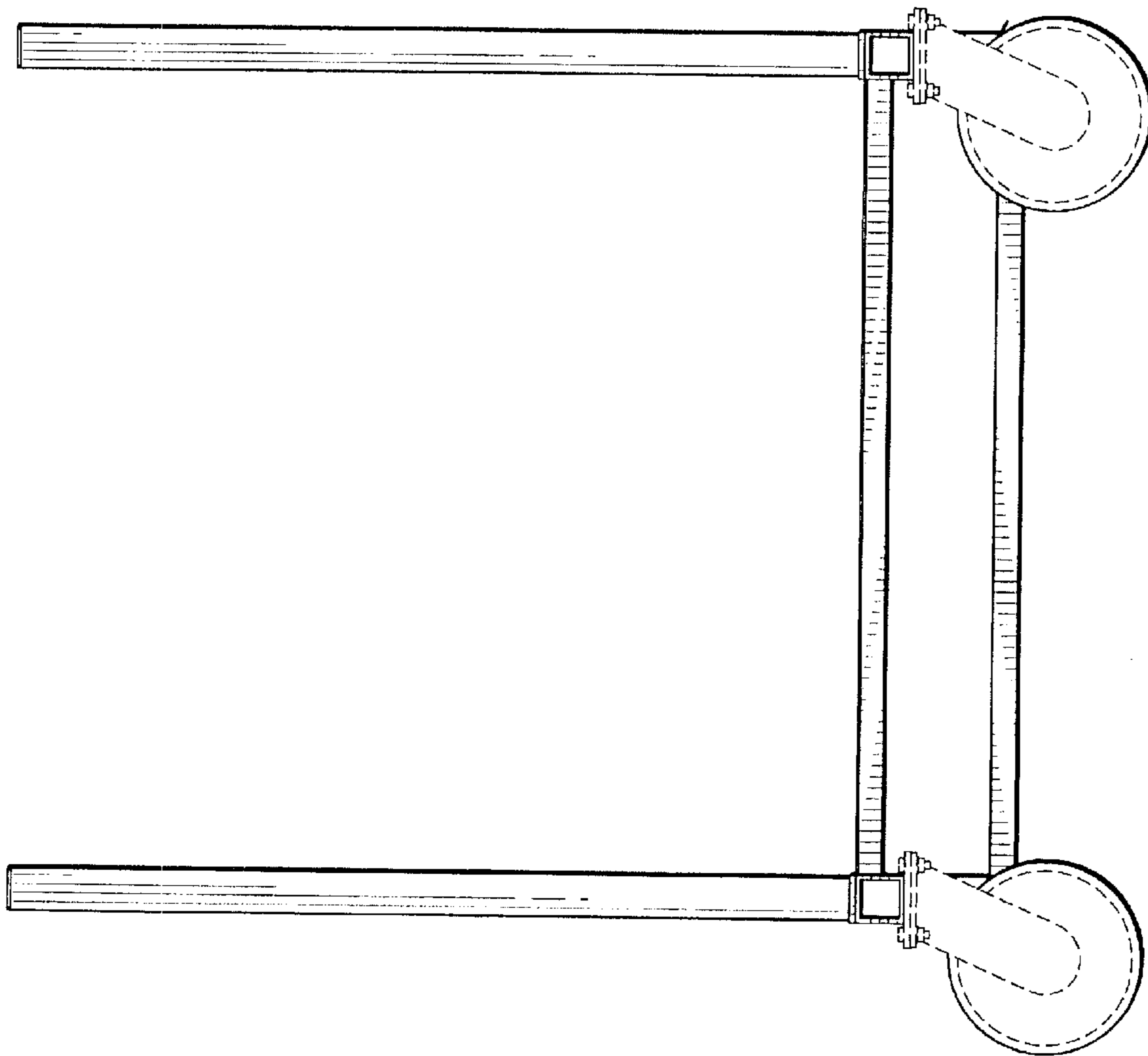
Fig. 1.



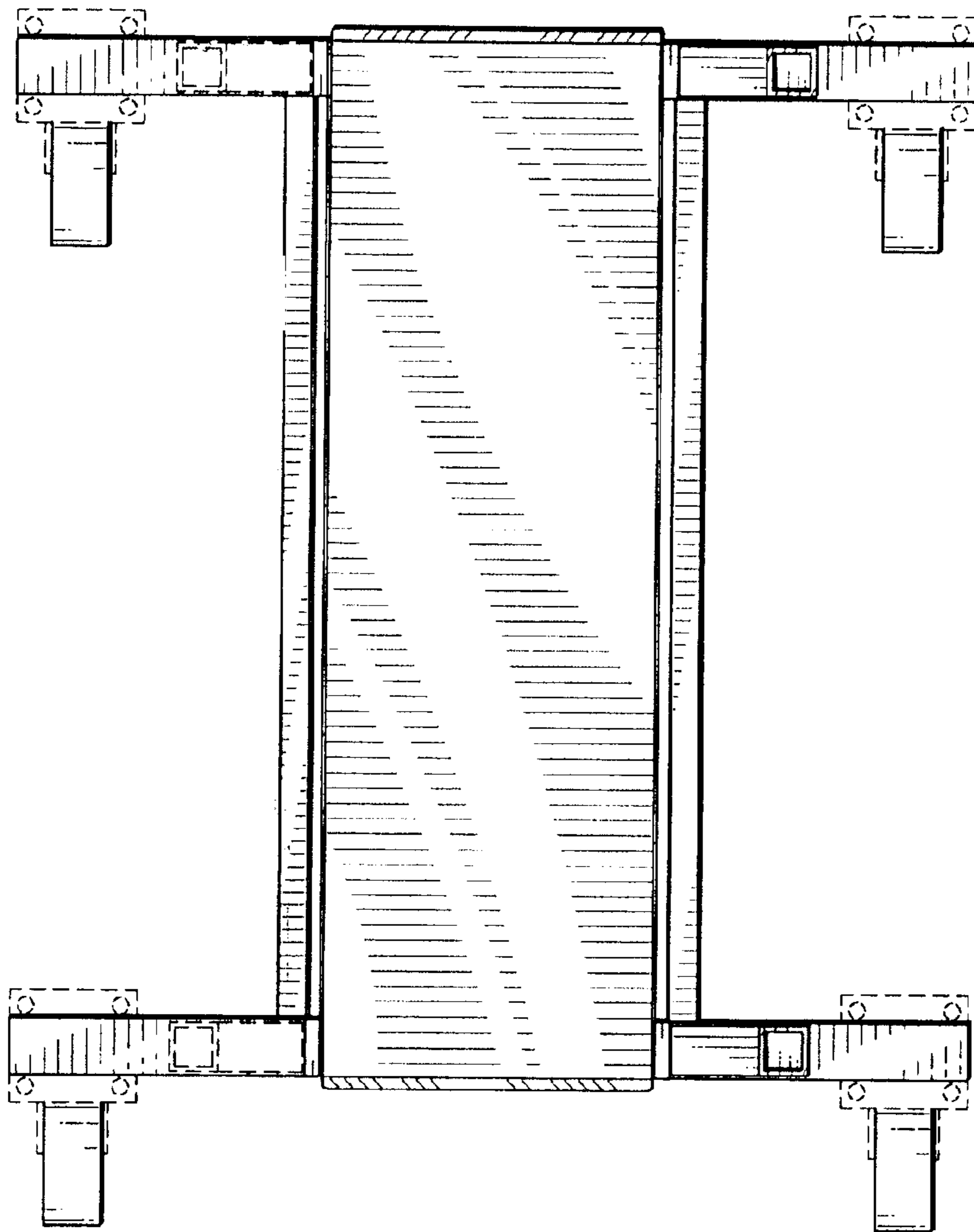
*Fig. 2.*



*Fig. 4.*



*Fig. 3.*



*Fig. 5.*