



US00D530872S

(12) **United States Design Patent**  
**Barquin Santillan et al.**

(10) **Patent No.:** **US D530,872 S**  
(45) **Date of Patent:** **\*\* Oct. 24, 2006**

- (54) **IRON**
- (75) Inventors: **Francisco Javier Barquin Santillan**,  
Pembroke Pines, FL (US); **Ruben Ortiz Maldonado**,  
Queretaro (MX)
- (73) Assignee: **Applica Consumer Products, Inc.**,  
Miramar, FL (US)
- (\*\*) Term: **14 Years**
- (21) Appl. No.: **29/243,356**
- (22) Filed: **Nov. 22, 2005**
- (51) **LOC (8) Cl.** ..... **07-05**
- (52) **U.S. Cl.** ..... **D32/70**
- (58) **Field of Classification Search** ..... D32/68-72;  
38/69, 74-75, 77.1-77.9, 90-97; 219/245-248  
See application file for complete search history.

- D376,233 S 12/1996 Clouet ..... D32/70
- D376,234 S 12/1996 Hensel et al. .... D32/70
- D385,075 S 10/1997 Naft et al. .... D32/70
- D386,863 S 11/1997 Lin ..... D32/70
- D388,920 S 1/1998 Nitsch ..... D32/70
- D389,622 S 1/1998 Dziersk ..... D32/70
- D393,509 S 4/1998 Gudefin ..... D32/70
- D401,706 S 11/1998 Gudefin ..... D32/70
- D402,779 S 12/1998 Gudefin ..... D32/70
- D406,933 S 3/1999 Leverrier ..... D32/70
- D409,807 S 5/1999 Kondo ..... D32/70
- D413,005 S 8/1999 Taylor ..... D32/70
- D418,648 S 1/2000 Gudefin ..... D32/70
- D419,274 S 1/2000 Choi ..... D32/70
- D423,162 S 4/2000 Sugimoto et al. .... D32/70
- D425,278 S 5/2000 Yang ..... D32/70
- D427,403 S 6/2000 Gudefin ..... D32/70
- D428,227 S 7/2000 Stützer et al. .... D32/70
- D428,228 S 7/2000 Saltet ..... D32/70
- D428,541 S 7/2000 Bas ..... D32/70
- D431,339 S 9/2000 Stützer et al. .... D32/70
- D432,751 S 10/2000 Gudefin ..... D32/70
- D433,551 S 11/2000 Powell ..... D32/70
- D434,197 S 11/2000 Perko et al. .... D32/70
- D435,325 S 12/2000 Stützer et al. .... D32/70
- D435,950 S 1/2001 Yang ..... D32/70

(56) **References Cited**

U.S. PATENT DOCUMENTS

- 478,755 A \* 7/1892 Bain, Jr. et al. .... 100/247
- D315,238 S 3/1991 Tien-Lai ..... D32/70
- D326,548 S 5/1992 Barrault ..... D32/70
- D326,939 S 6/1992 Gudefin ..... D32/70
- D326,940 S 6/1992 Barrault ..... D32/70
- D326,942 S 6/1992 Gudefin ..... D32/70
- D327,150 S 6/1992 Gudefin et al. .... D32/70
- 5,120,934 A \* 6/1992 Nakada et al. .... 219/247
- D343,933 S 2/1994 Nitsch ..... D32/70
- D349,377 S 8/1994 Stützer et al. .... D32/70
- D353,246 S 12/1994 Kameda ..... D32/70
- D353,694 S 12/1994 Vildosola ..... D32/70
- D361,184 S 8/1995 Casuso Fuente ..... D32/70
- D362,944 S 10/1995 Sham et al. .... D32/70
- D365,184 S 12/1995 deBlois et al. .... D32/70
- D367,138 S 2/1996 Laborda ..... D32/70
- D369,003 S 4/1996 Figur ..... D32/70
- D369,004 S 4/1996 Reibl ..... D32/70
- D369,890 S 5/1996 Reibl ..... D32/70
- D370,103 S 5/1996 Gudefin ..... D32/70
- D370,104 S 5/1996 Gudefin ..... D32/70
- D373,872 S 9/1996 Sham ..... D32/70
- D374,956 S 10/1996 Hsu ..... D32/70

(Continued)

*Primary Examiner*—Pamela J. Burgess  
(74) *Attorney, Agent, or Firm*—Baker Botts L.L.P.

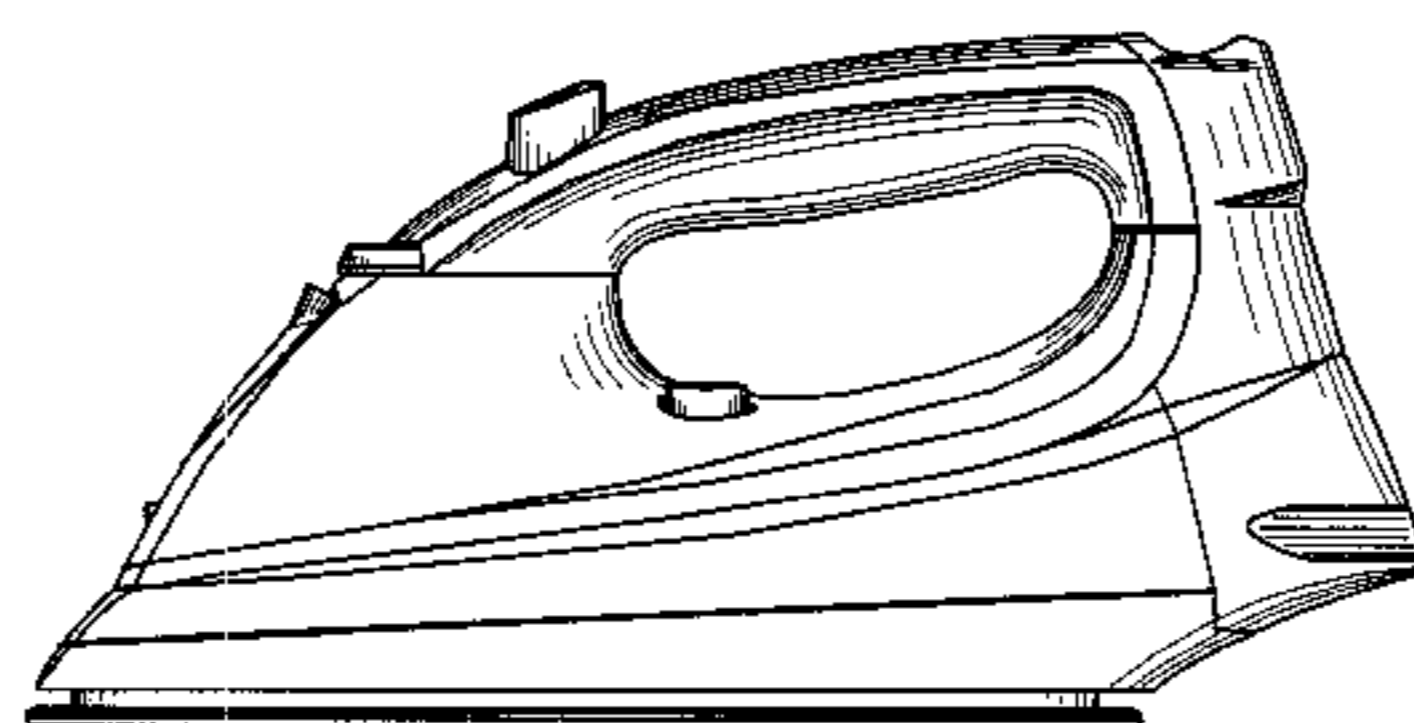
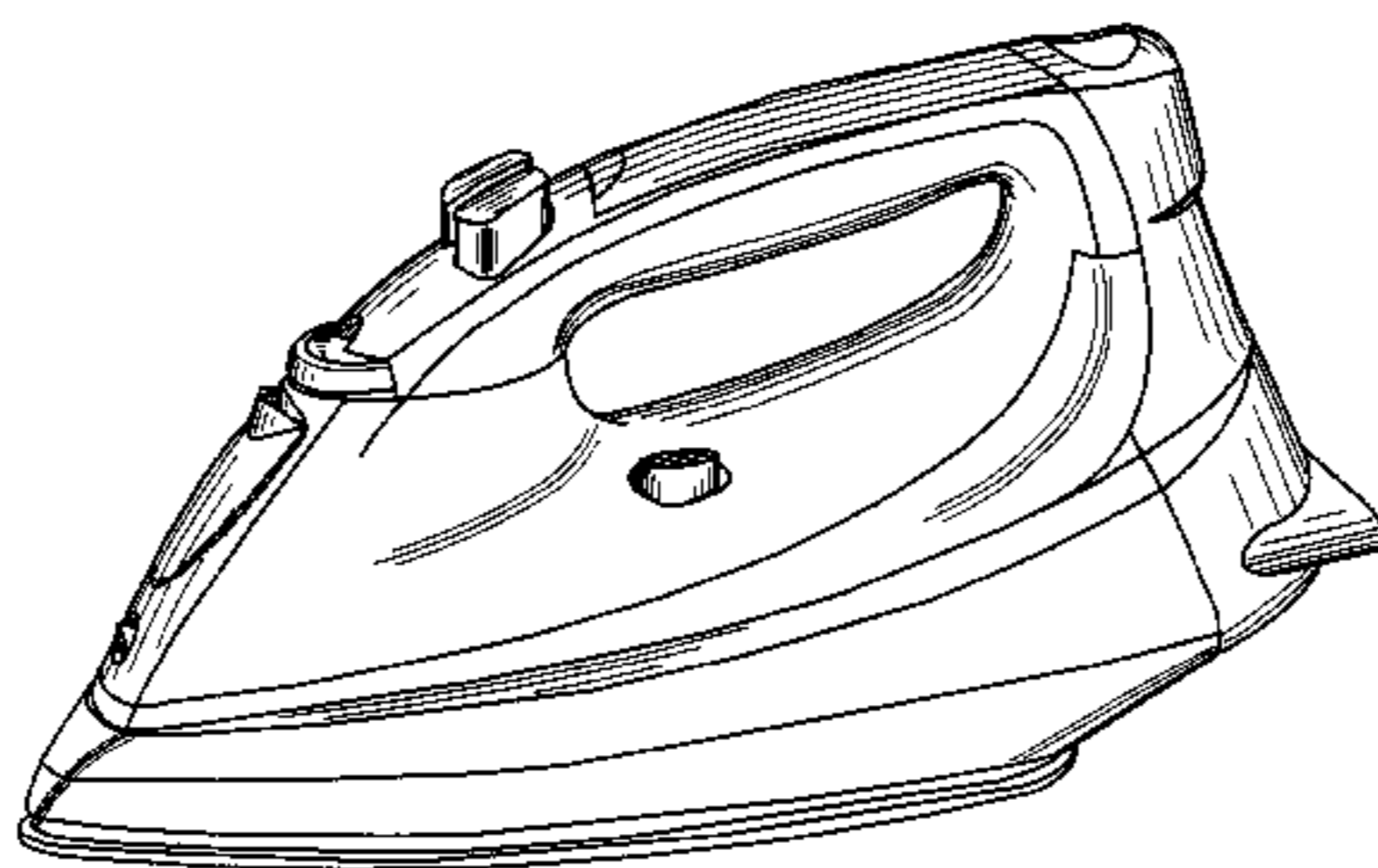
(57) **CLAIM**

We claim the ornamental design for an iron, as shown and described.

**DESCRIPTION**

FIG. 1 is a perspective view taken from the front, top, and right side of an iron showing my new design; FIG. 2 is a top plan view thereof; FIG. 3 is a right side elevation view thereof; FIG. 4 is a left side elevation view thereof; FIG. 5 is a front elevation view thereof; FIG. 6 is a rear elevation view thereof; and, FIG. 7 is a bottom plan view thereof.

**1 Claim, 4 Drawing Sheets**



# US D530,872 S

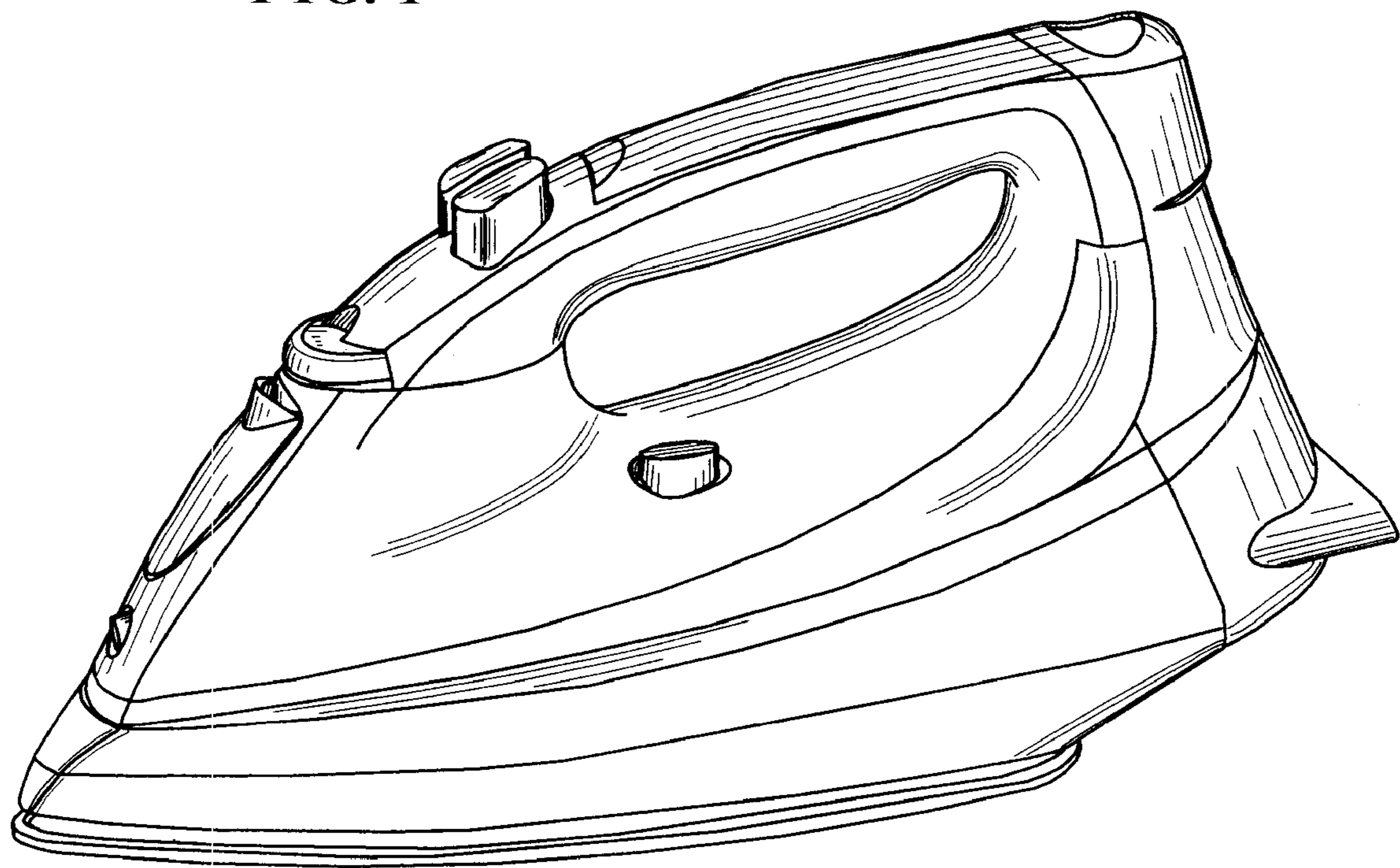
Page 2

## U.S. PATENT DOCUMENTS

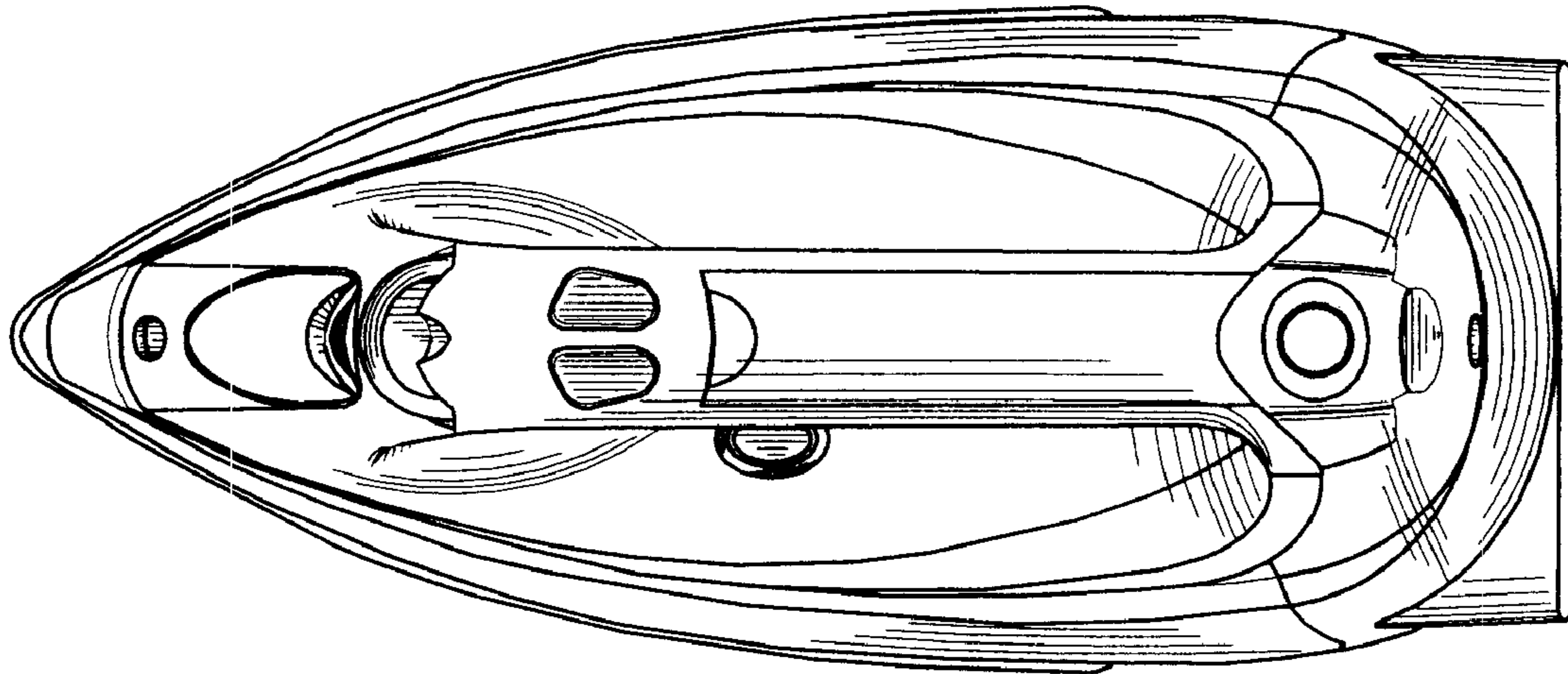
D436,704 S	1/2001	Stützer et al. ....	D32/70	D466,663 S	12/2002	Wendt .....	D32/70
D441,929 S	5/2001	Taylor .....	D32/70	D470,635 S	2/2003	Choi .....	D32/70
D441,930 S	5/2001	Choi .....	D32/70	D472,354 S	3/2003	Figur et al. ....	D32/70
D442,752 S	5/2001	Choi .....	D32/70	D476,124 S	6/2003	Garman .....	D32/70
D443,743 S	6/2001	Edwards et al. ....	D32/70	D478,401 S	8/2003	Lee .....	D32/70
D443,963 S	6/2001	Gudefin .....	D32/70	D480,192 S	9/2003	Wendt .....	D32/70
D446,371 S	8/2001	Choi .....	D32/70	D480,525 S	10/2003	Wendt .....	D32/70
6,276,078 B1 *	8/2001	Beverly et al. ....	38/90	D481,185 S	10/2003	Powell .....	D32/70
D455,533 S	4/2002	Choi .....	D32/70	D481,186 S	10/2003	Powell .....	D32/70
D455,879 S	4/2002	Choi .....	D32/70	D481,503 S	10/2003	Choi .....	D32/70
D457,996 S	5/2002	Figur et al. ....	D32/70	D487,603 S	3/2004	Renault .....	D32/70
D459,045 S	6/2002	Figur et al. ....	D32/70	D490,953 S *	6/2004	Fujita .....	D32/70
D463,891 S	10/2002	Choi .....	D32/70	D501,692 S	2/2005	Powell .....	D32/70
D464,780 S	10/2002	Schupp .....	D32/70	D502,791 S	3/2005	Garner et al. ....	D32/70
D465,626 S	11/2002	Edmonds .....	D32/70	D502,792 S	3/2005	Garner et al. ....	D32/70

\* cited by examiner

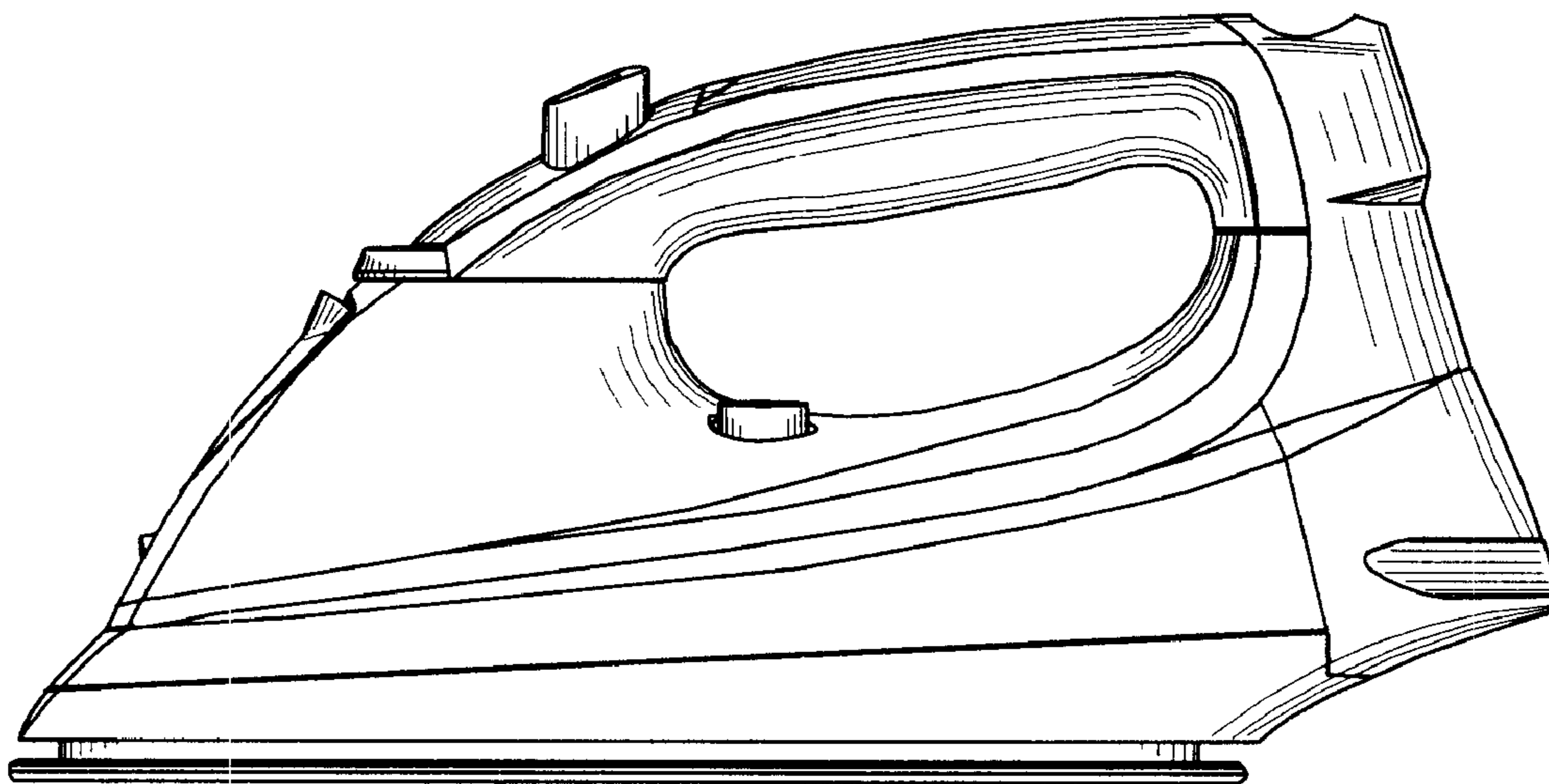
*FIG. 1*



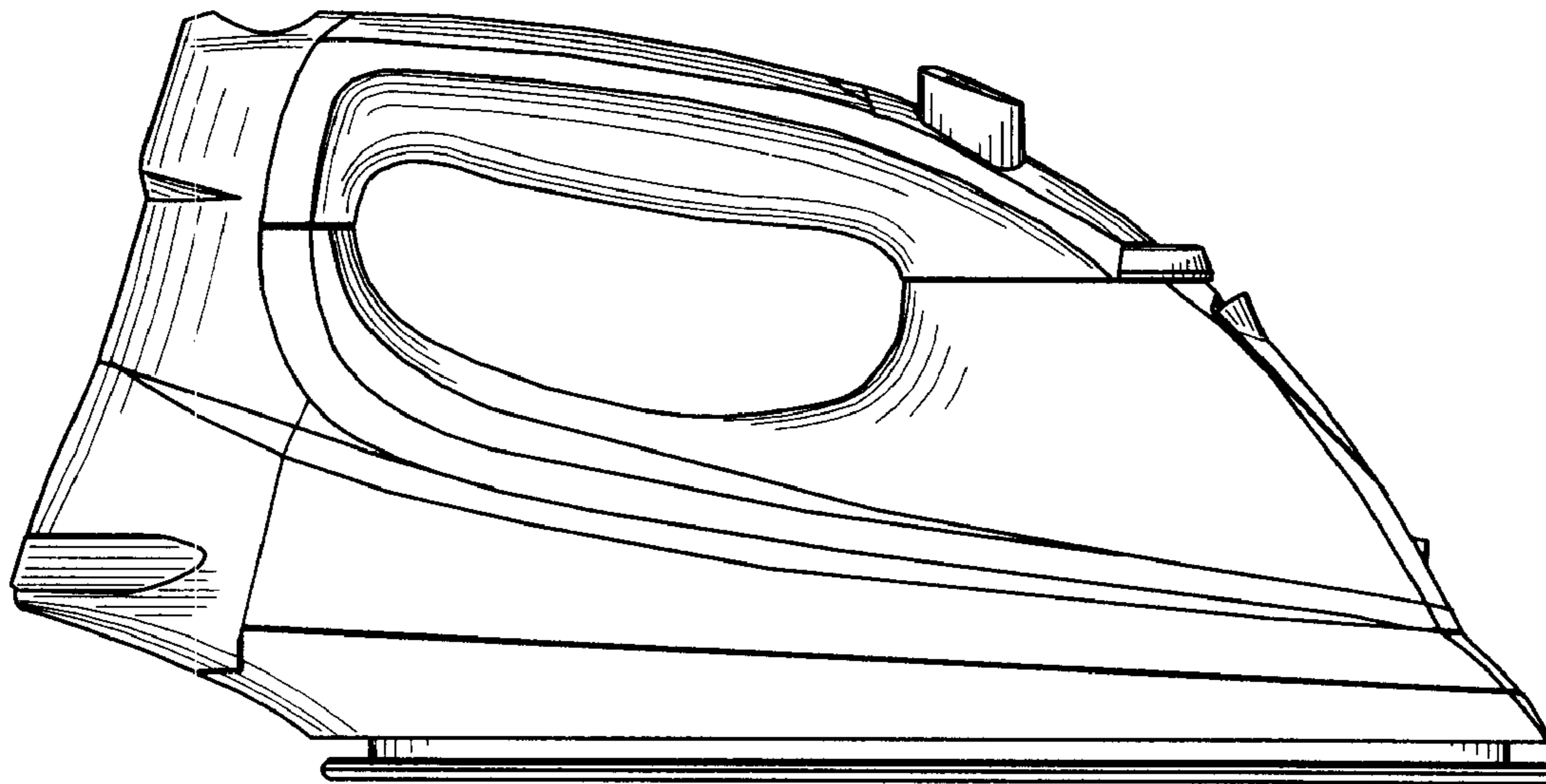
*FIG. 2*



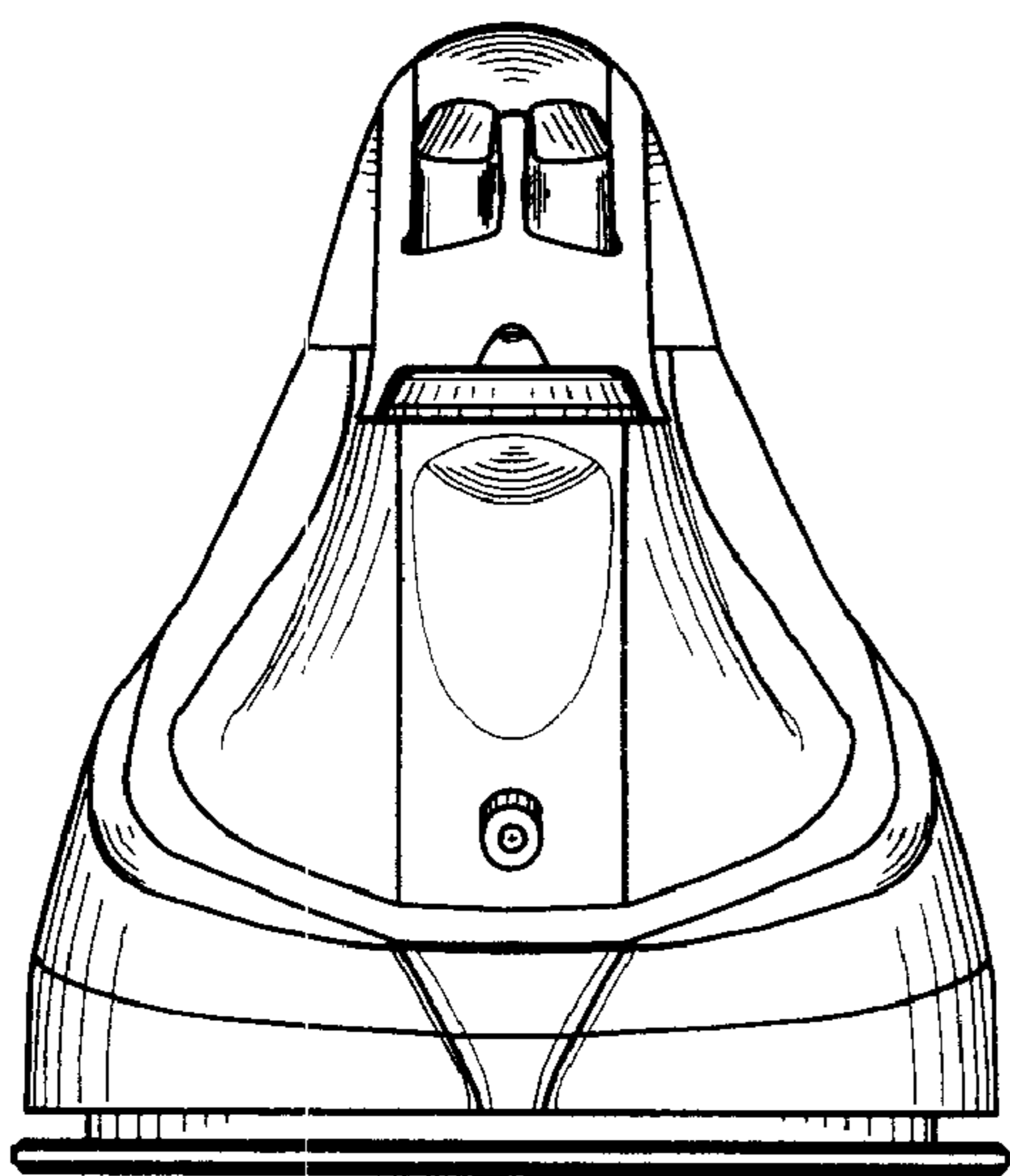
*FIG. 3*



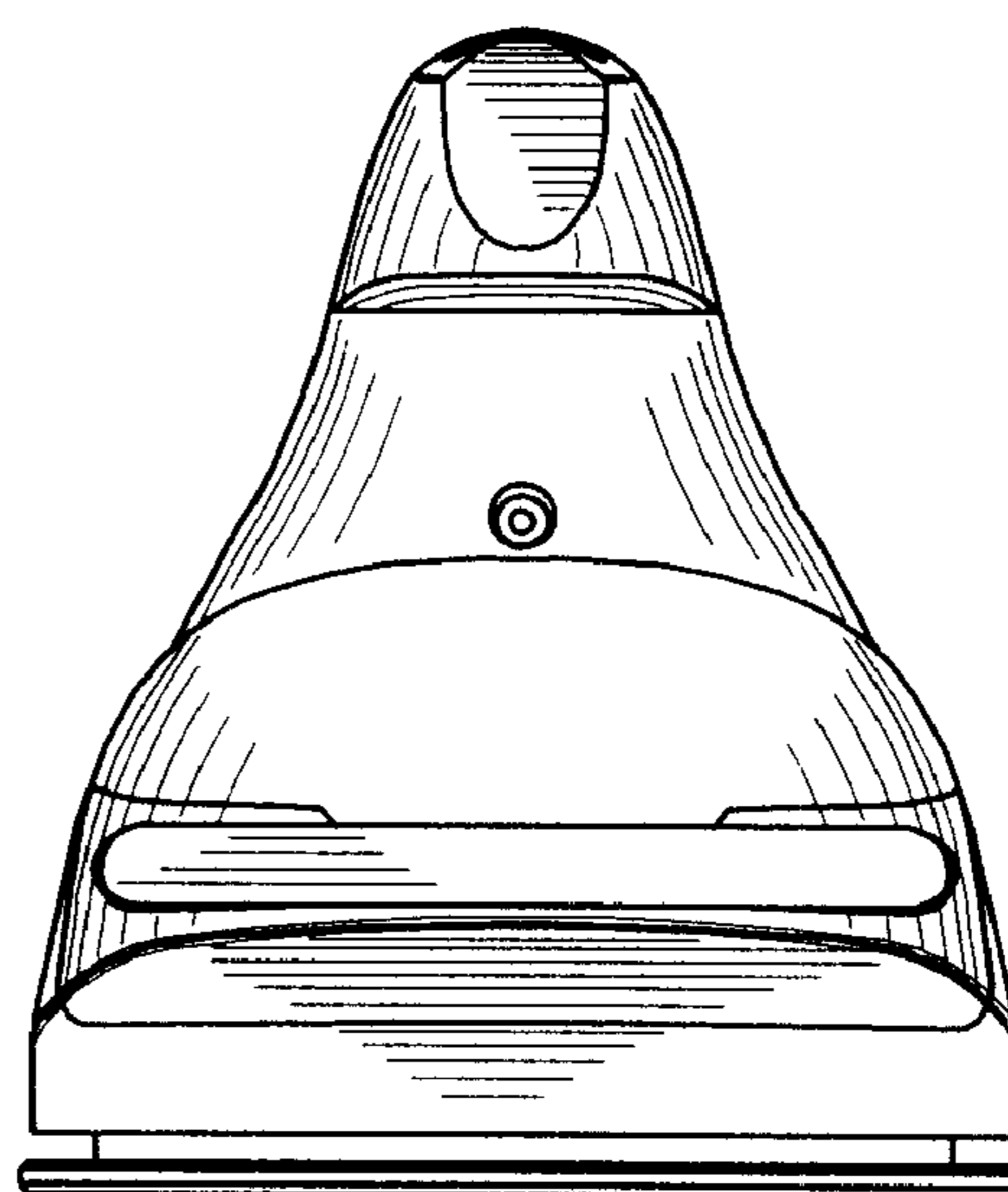
*FIG. 4*



*FIG. 5*



*FIG. 6*



*FIG. 7*

