



US00D530871S

(12) **United States Design Patent**
Chu

(10) **Patent No.:** **US D530,871 S**

(45) **Date of Patent:** **** Oct. 24, 2006**

(54) **STEAM IRON**

D388,575 S 12/1997 Naft
D389,622 S 1/1998 Dzierisk

(75) Inventor: **Ming Tak Chu**, New Territories (HK)

(Continued)

(73) Assignee: **Tunbow Electrical Limited** (HK)

Primary Examiner—Pamela J. Burgess

(**) Term: **14 Years**

(74) *Attorney, Agent, or Firm*—Brinks Hofer Gilson & Lione

(21) Appl. No.: **29/212,641**

(57) **CLAIM**

(22) Filed: **Sep. 3, 2004**

The ornamental design for a steam iron, as shown.

(51) **LOC (8) Cl.** **07-05**

DESCRIPTION

(52) **U.S. Cl.** **D32/70**

(58) **Field of Classification Search** D32/68–72;
38/69, 74–75, 77.1–77.9, 77.81, 90–87; 219/245–248
See application file for complete search history.

FIG. 1 is a front perspective view of a first embodiment of a steam iron showing my design;

FIG. 2 is a rear perspective of the embodiment of FIG. 1;

FIG. 3 is a front view of the embodiment of FIG. 1;

FIG. 4 is a rear view, showing the side opposite that in FIG. 3;

FIG. 5 is a top view of the embodiment of FIG. 1;

FIG. 6 is a bottom view, showing the side opposite that in FIG. 5;

FIG. 7 is a right-side elevational view of the embodiment of FIG. 1;

FIG. 8 is a left-side elevational view, showing the side opposite that in FIG. 7;

FIG. 9 is a front perspective view of a second embodiment of a steam iron;

FIG. 10 is a rear perspective of the embodiment of FIG. 9 ;

FIG. 11 is a front view of the embodiment of FIG. 9 ;

FIG. 12 is a rear view showing the side opposite that in FIG. 11;

FIG. 13 is a top view of the embodiment of FIG. 9;

FIG. 14 is a bottom view, showing the side opposite that in FIG. 13;

FIG. 15 is a right-side elevational view of the embodiment of FIG. 9; and,

FIG. 16 is a left-side elevational view, showing the side opposite that in FIG. 15.

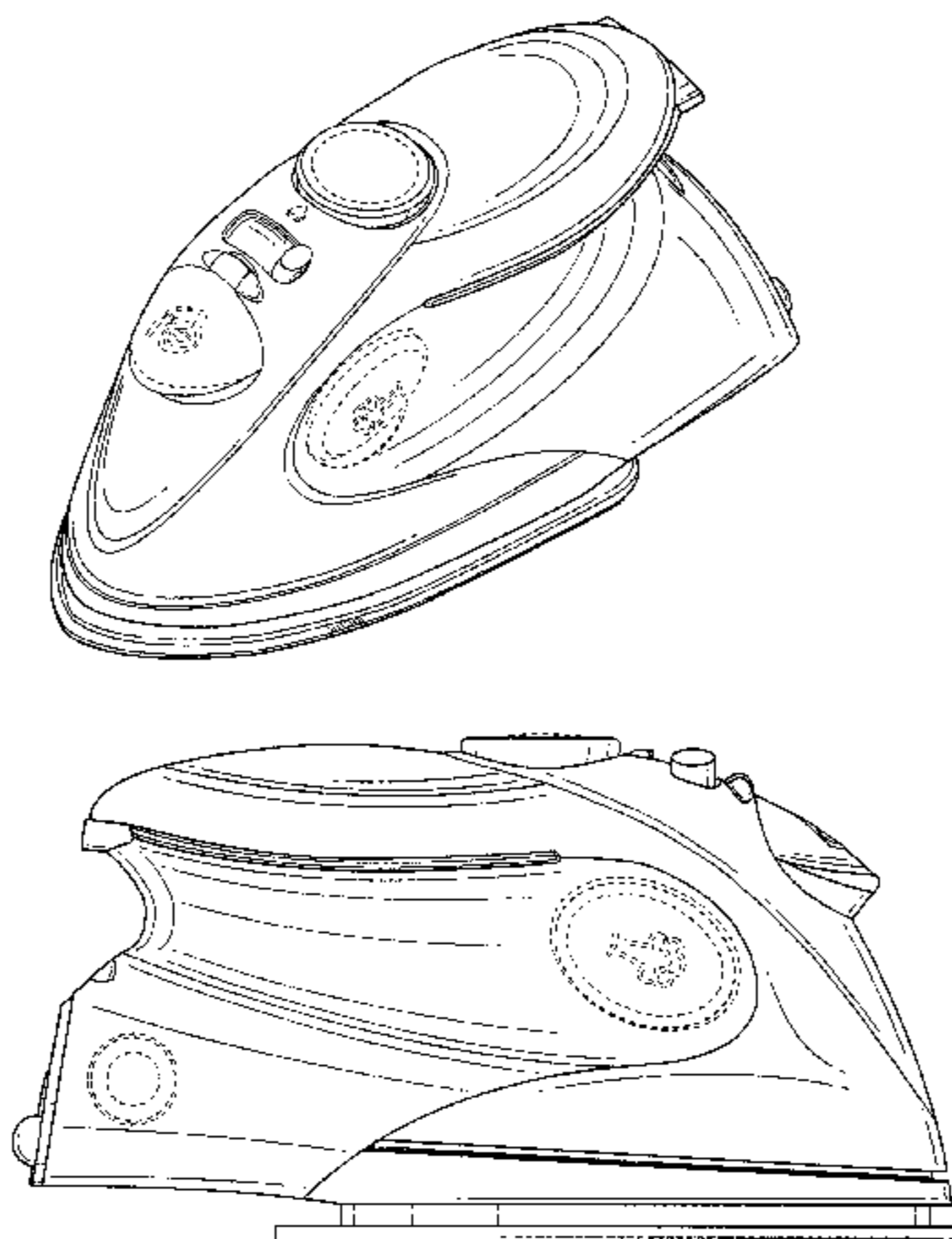
The dotted lines in FIGS. 1–16 are for environmental purposes only and form no part of the claimed design.

(56) **References Cited**

U.S. PATENT DOCUMENTS

3,175,316	A	*	3/1965	Foster et al.	38/77.3
D221,249	S	*	7/1971	Russell	D32/70
D257,209	S	*	10/1980	Baumgartner et al.	D32/70
D327,151	S		6/1992	Rohner et al.	
D340,329	S		10/1993	Barrault	
D340,330	S		10/1993	Seguljic	
D342,814	S		12/1993	Bergeron	
D344,829	S		3/1994	Levin	
D349,377	S		8/1994	Stützer et al.	
D360,509	S		7/1995	Maeda et al.	
D364,019	S		11/1995	Reibl	
D364,950	S		12/1995	Classen	
D365,899	S		1/1996	Wai	
D368,348	S		3/1996	Loomis et al.	
D369,004	S		4/1996	Reibl	
D369,005	S		4/1996	Stützer et al.	
D369,890	S		5/1996	Reibl	
D370,102	S		5/1996	Muller	
D370,103	S		5/1996	Gudefin	
D371,878	S		7/1996	Muller	
D373,869	S		9/1996	Stützer et al.	
D373,870	S		9/1996	Reibl	
D373,872	S		9/1996	Sham	
D376,455	S		12/1996	Loomis	
D381,153	S		7/1997	Loomis	
D388,574	S		12/1997	Clouet	

1 Claim, 8 Drawing Sheets



US D530,871 S

Page 2

U.S. PATENT DOCUMENTS

D389,627 S	1/1998	Stützer et al.		D459,562 S	6/2002	Page et al.
D389,968 S	* 1/1998	Sham	D32/70	D464,779 S	10/2002	Garman
D406,933 S	3/1999	Leverrier		D464,780 S	10/2002	Schupp
D408,107 S	4/1999	Clouet		D465,626 S	11/2002	Edmonds
D416,656 S	11/1999	Sadler		D466,260 S	11/2002	Wu
D418,649 S	1/2000	Stützer et al.		D466,663 S	12/2002	Wendt
D428,228 S	7/2000	Saltet		D468,505 S	1/2003	Fujita et al.
D429,048 S	8/2000	Brady		D470,286 S	2/2003	Hada
D430,371 S	8/2000	Brady et al.		D470,287 S	2/2003	Hada
D431,338 S	9/2000	Zanardo		D470,635 S	2/2003	Choi
D431,339 S	9/2000	Stützer et al.		D470,636 S	2/2003	Bas
D435,157 S	12/2000	Naft et al.		D472,354 S	3/2003	Figur et al.
D435,325 S	12/2000	Stützer et al.		D476,124 S	6/2003	Garman
D436,704 S	1/2001	Stützer et al.		D476,453 S	6/2003	Garman
D441,158 S	4/2001	Stützer et al.		D478,401 S	8/2003	Lee
D442,752 S	5/2001	Choi		D480,192 S	9/2003	Wendt
D455,879 S	4/2002	Choi		D480,524 S	10/2003	Wendt
D456,104 S	4/2002	Saltet		D480,525 S	10/2003	Wendt
D457,996 S	5/2002	Figur et al.		D481,503 S	10/2003	Choi
D459,045 S	6/2002	Figur et al.				

* cited by examiner

FIG. 1

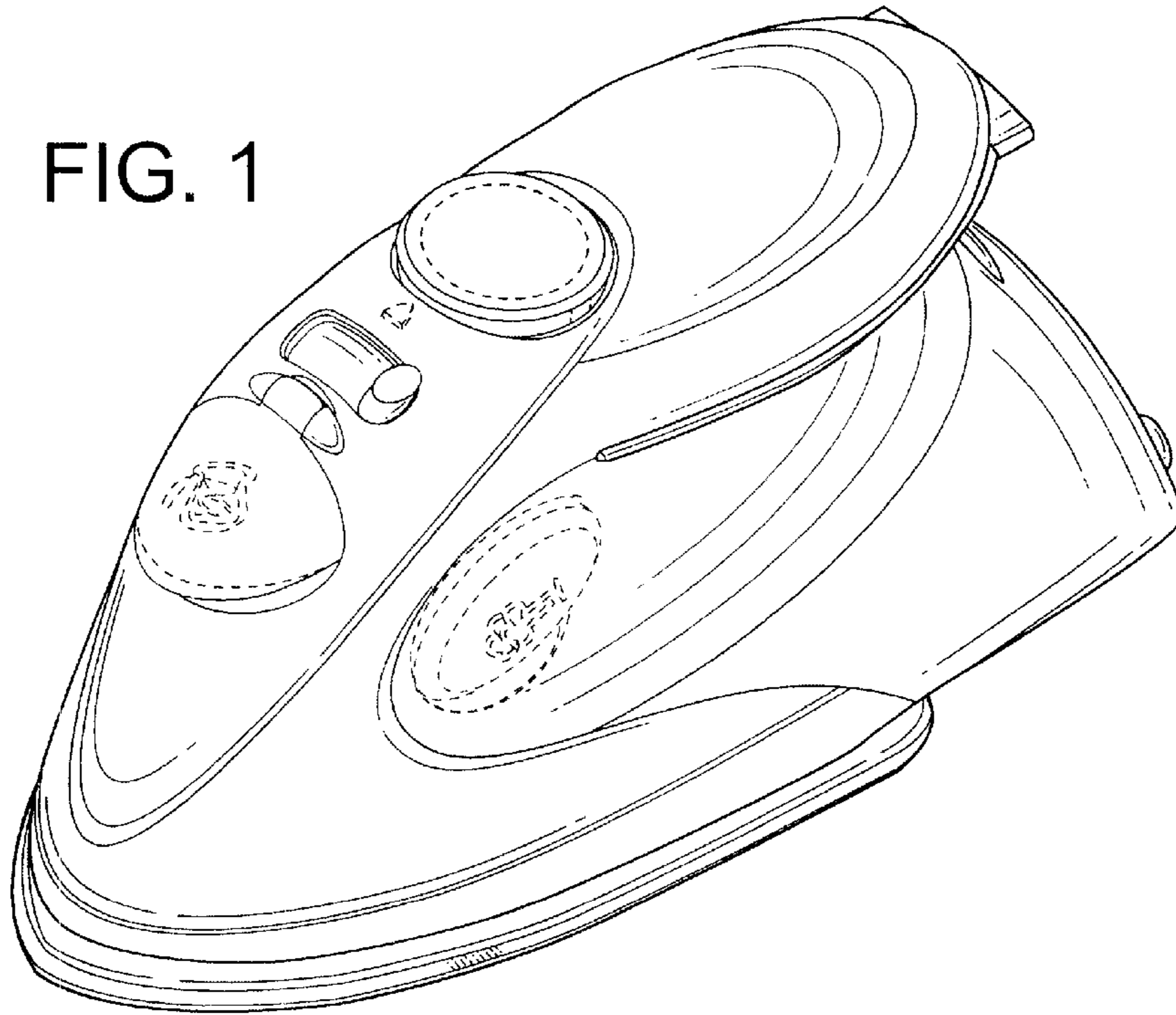
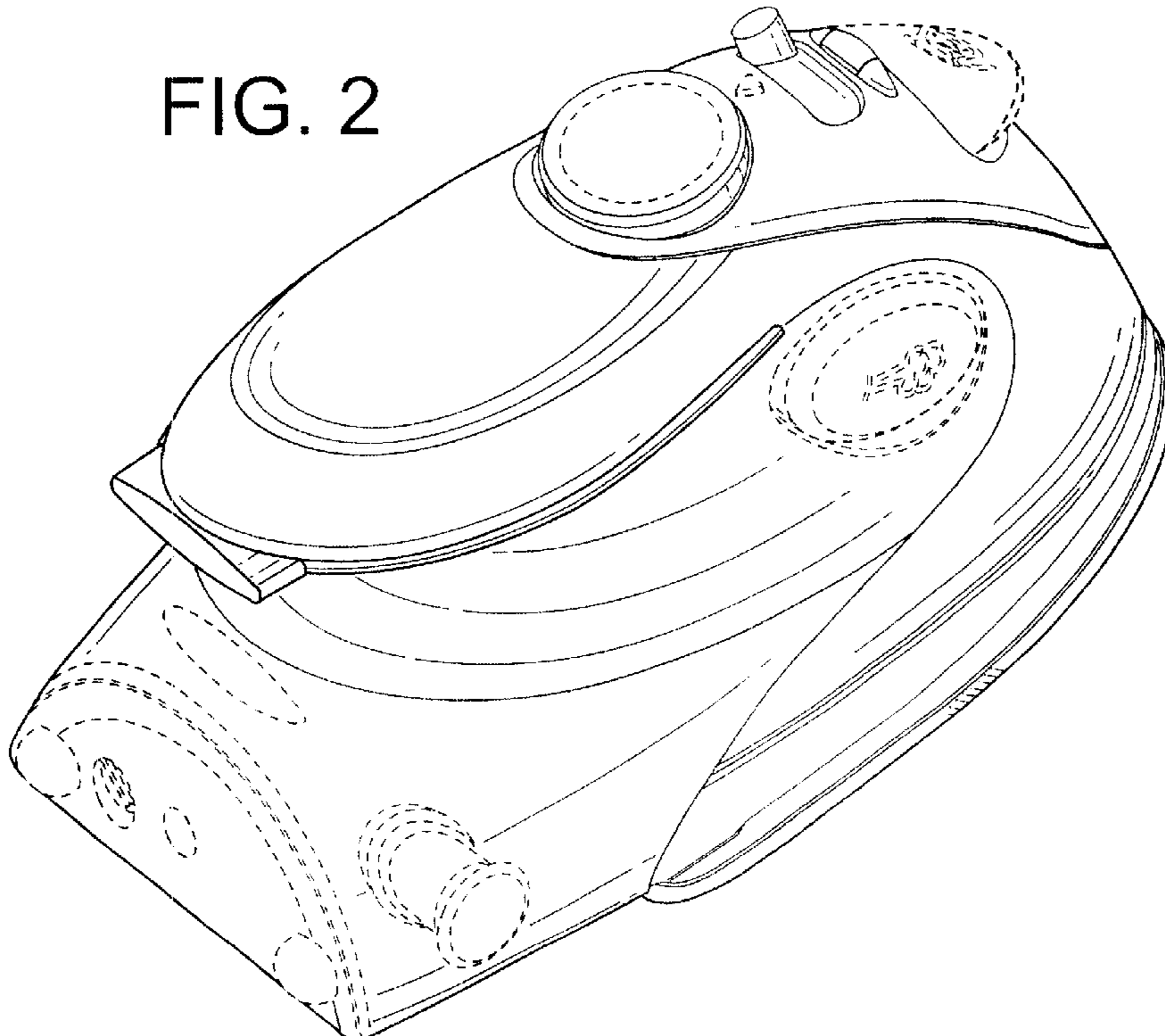


FIG. 2



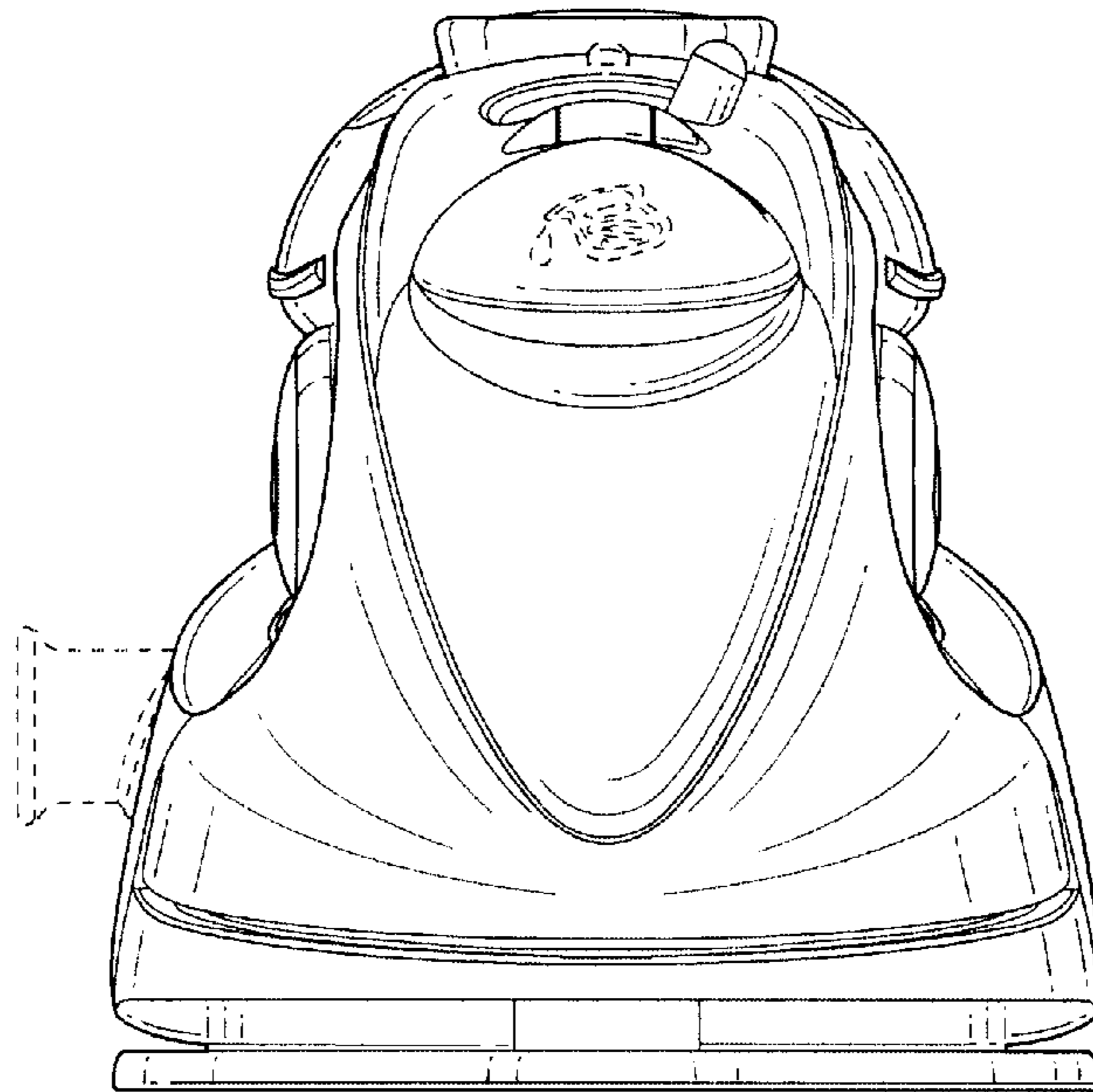


FIG. 3

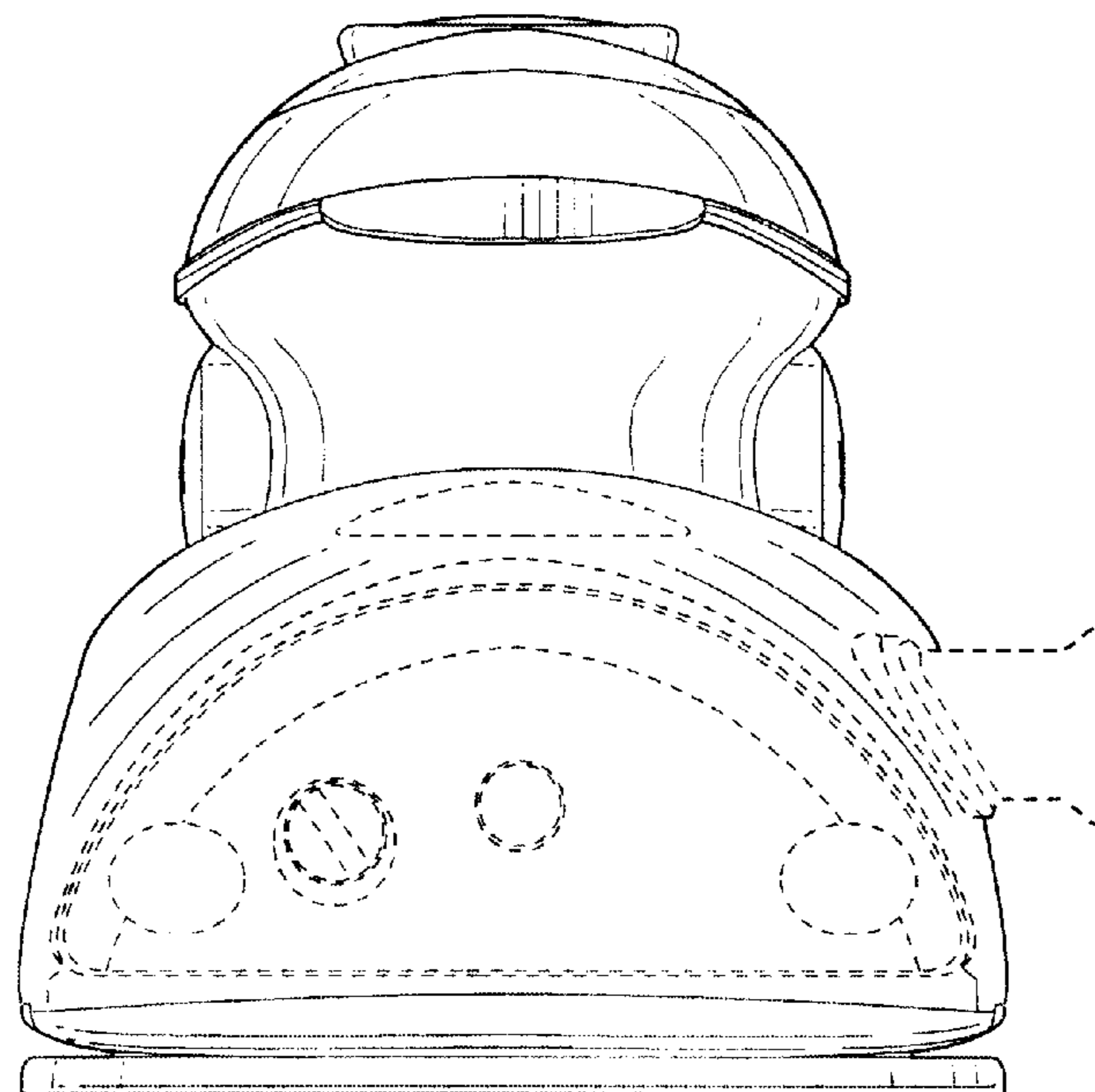


FIG. 4

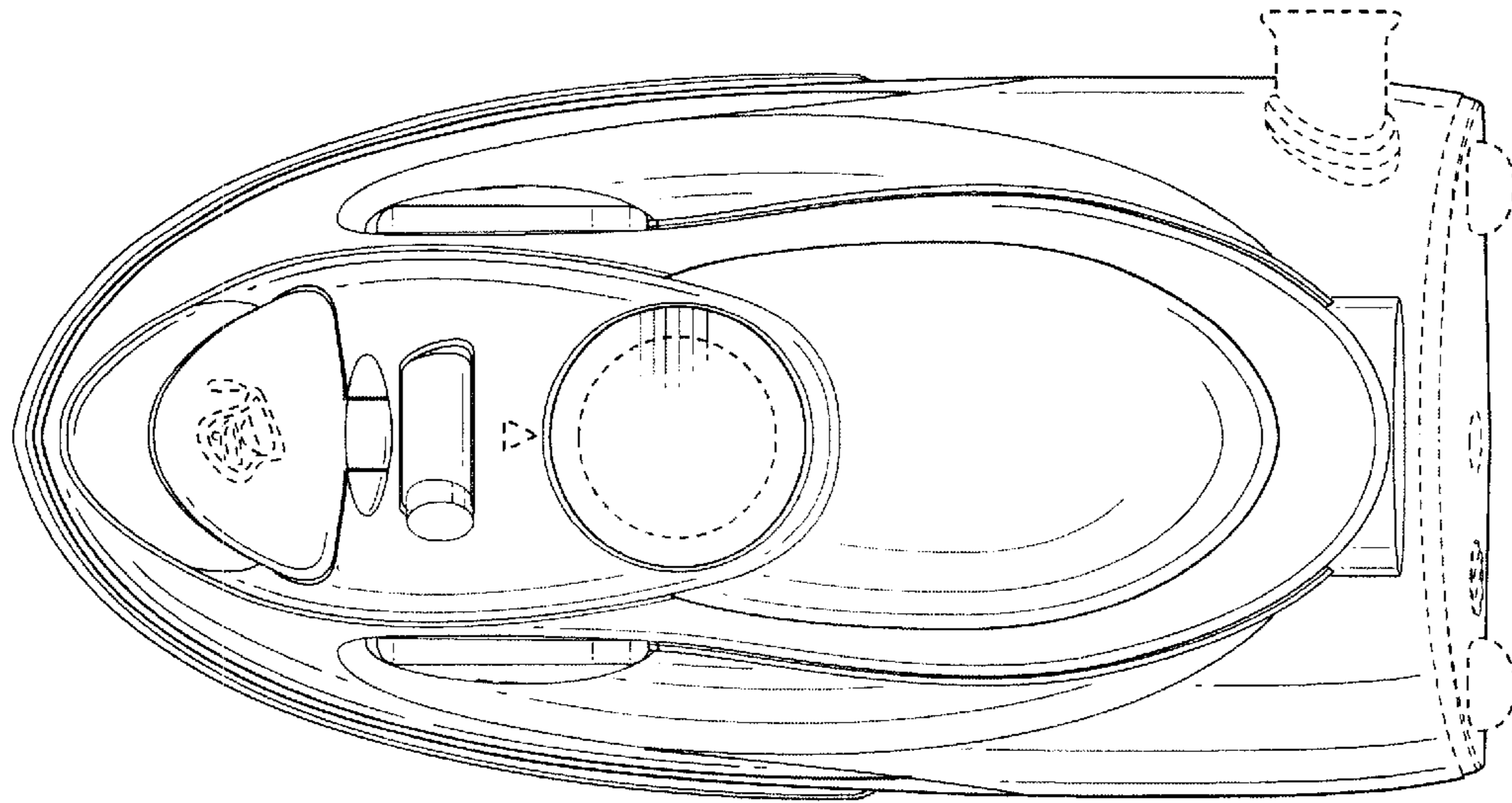


FIG. 5

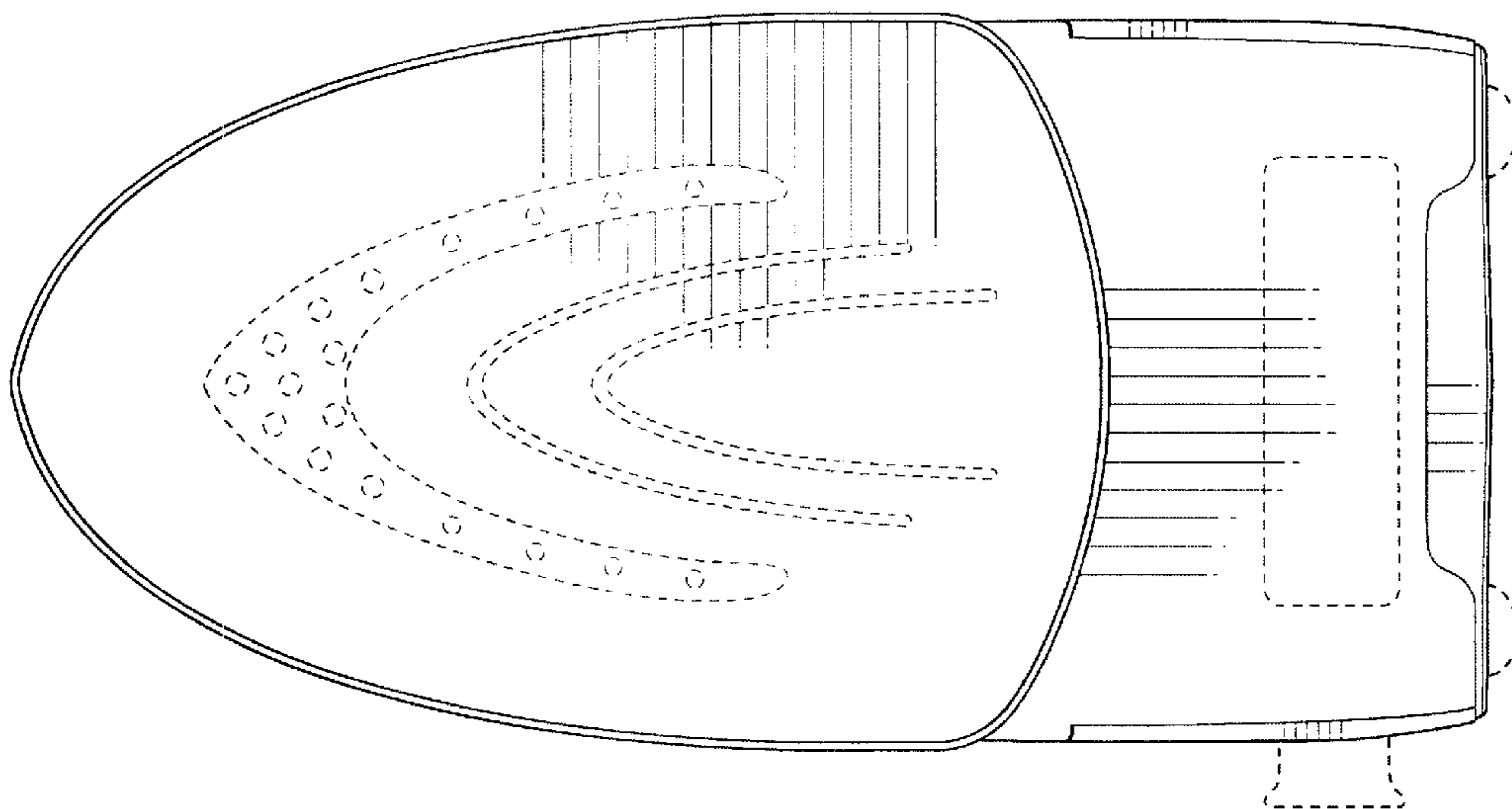


FIG. 6

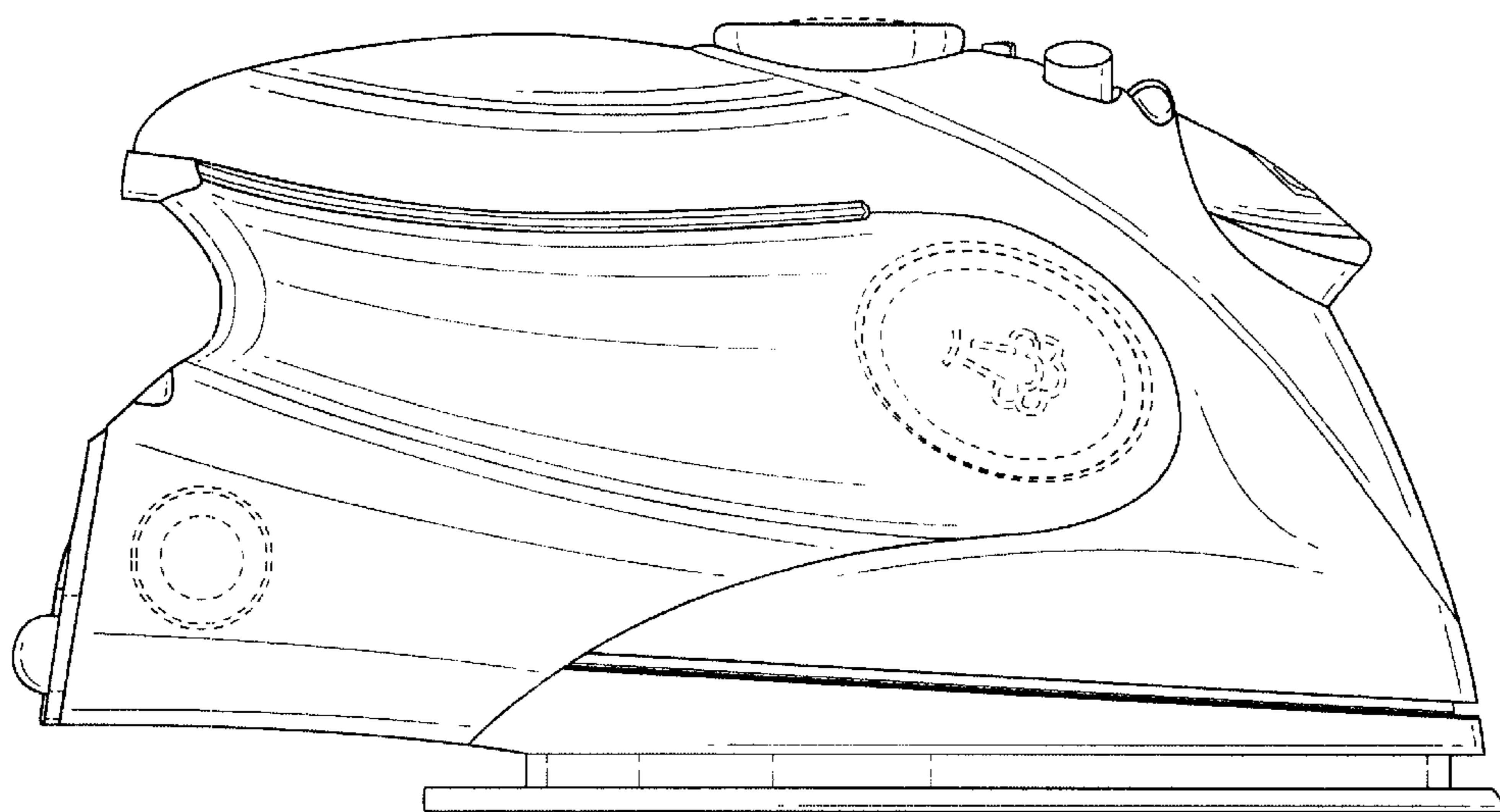


FIG. 7

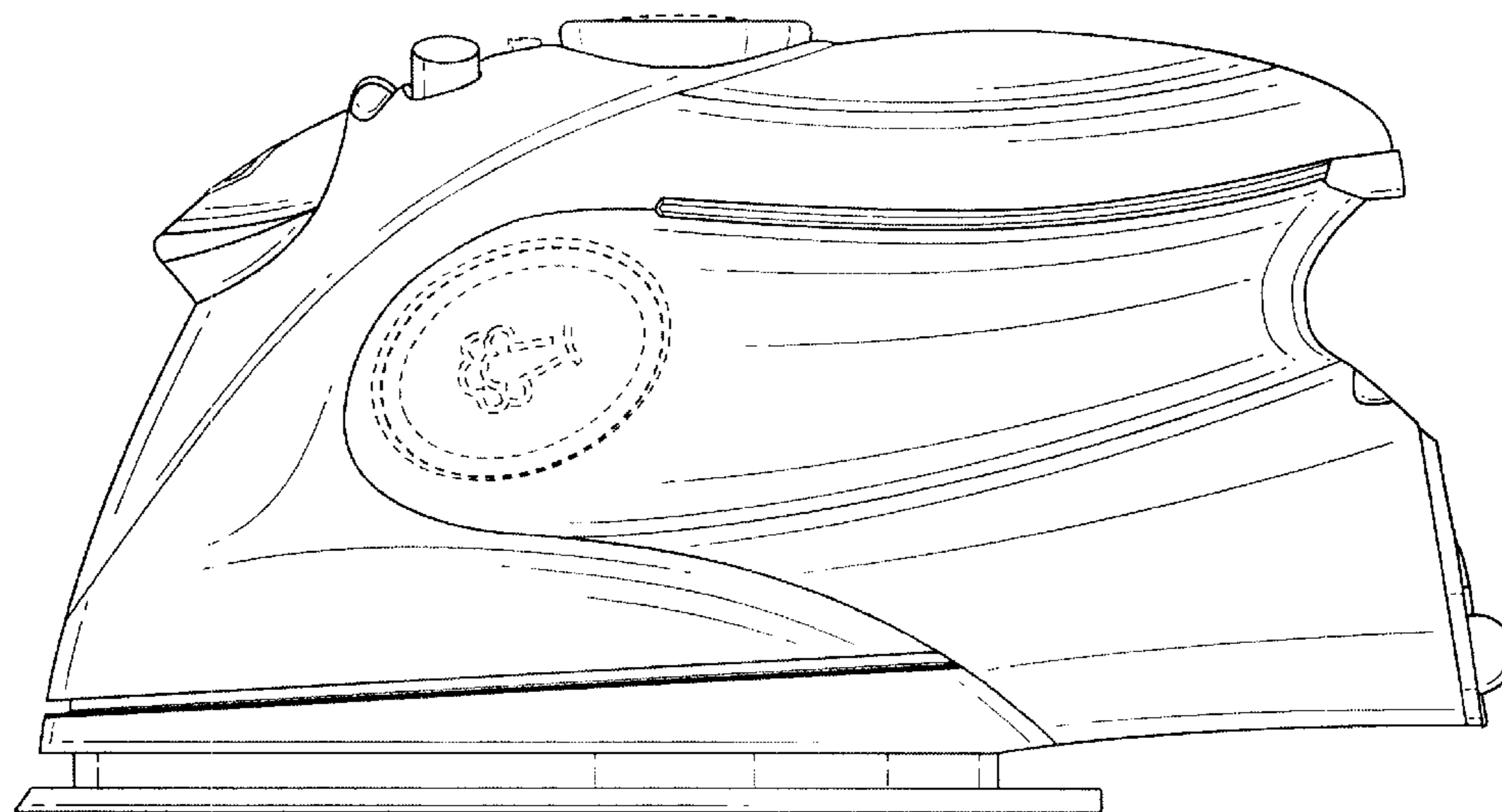


FIG. 8

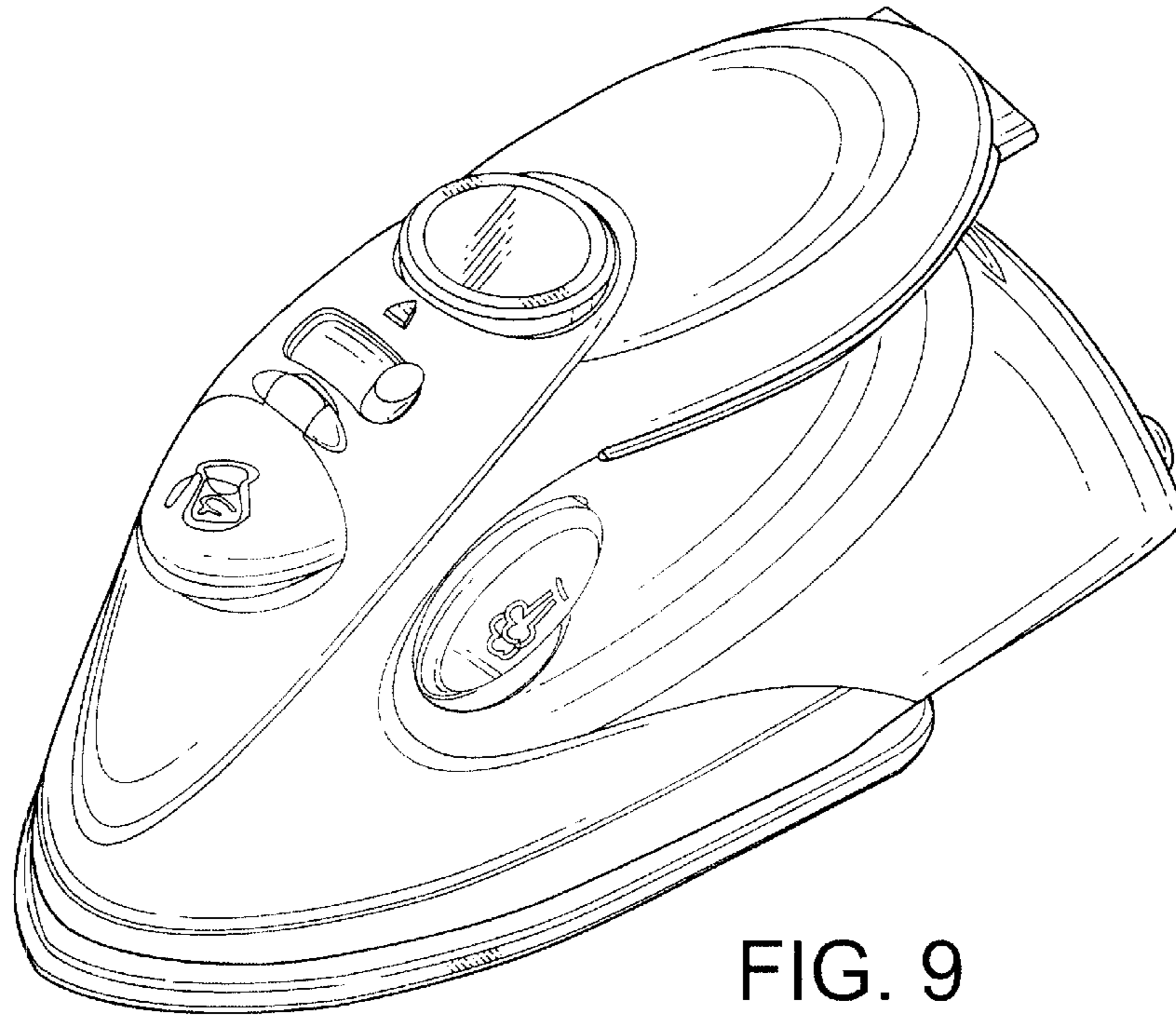


FIG. 9

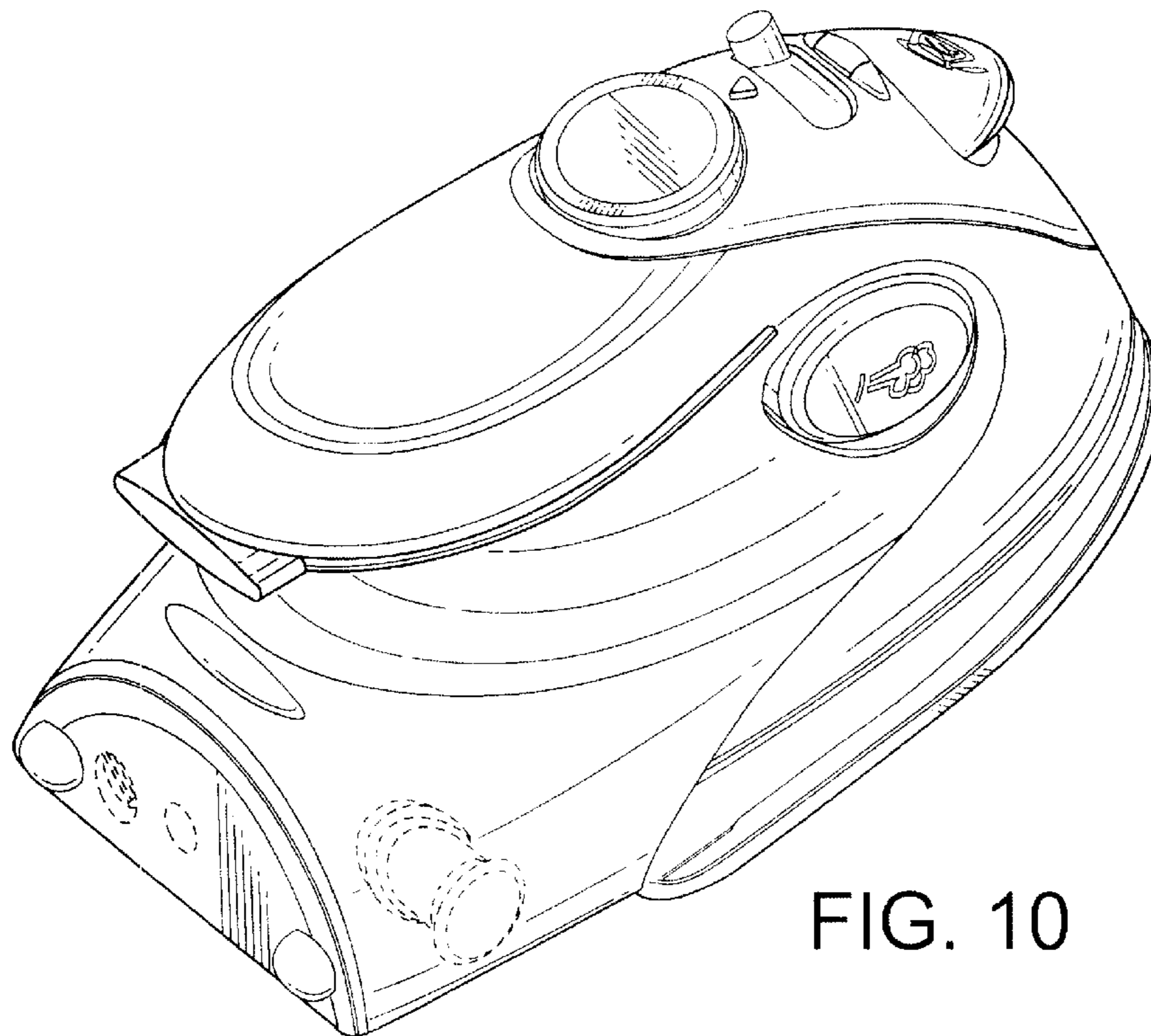


FIG. 10

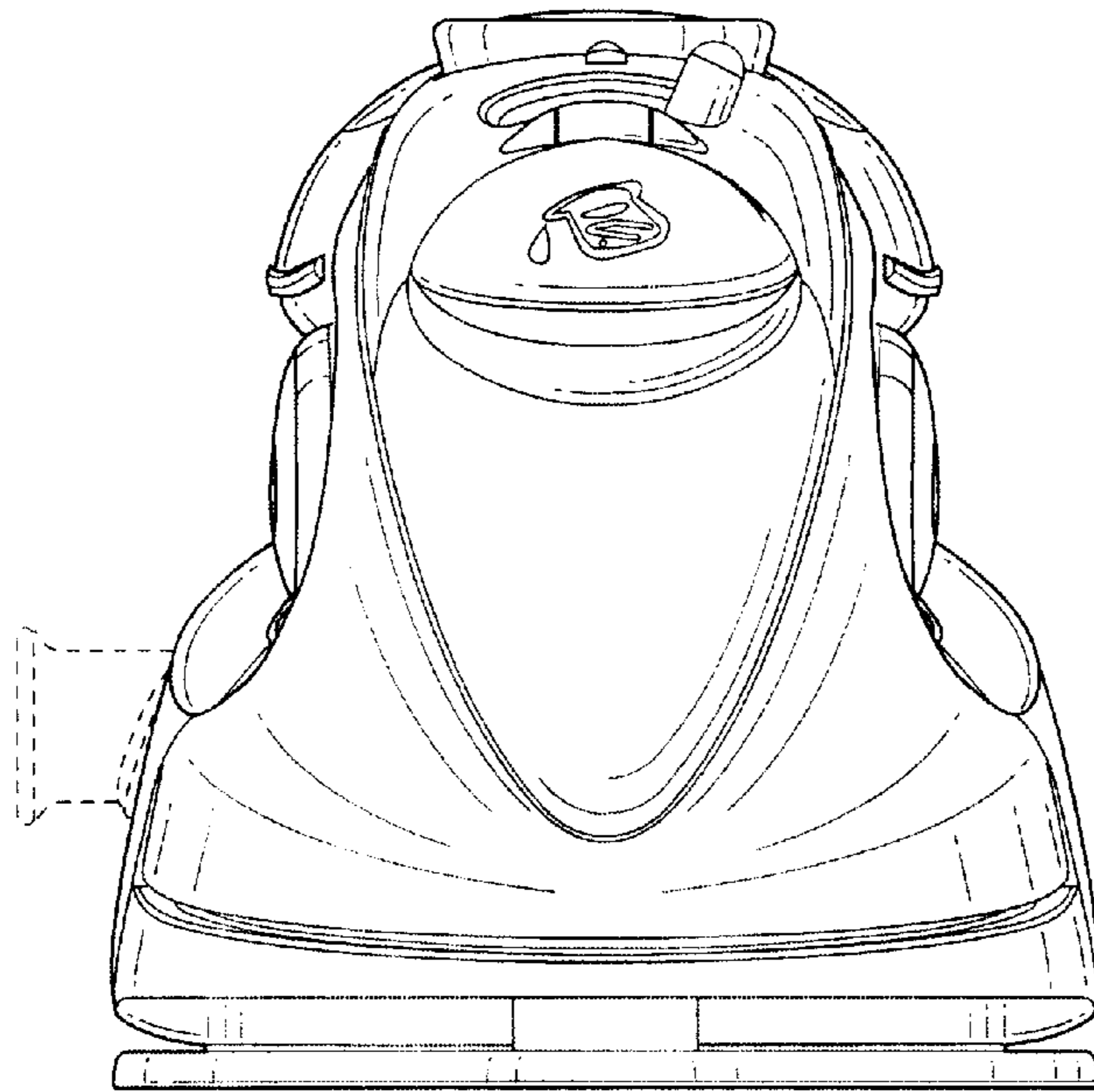


FIG. 11

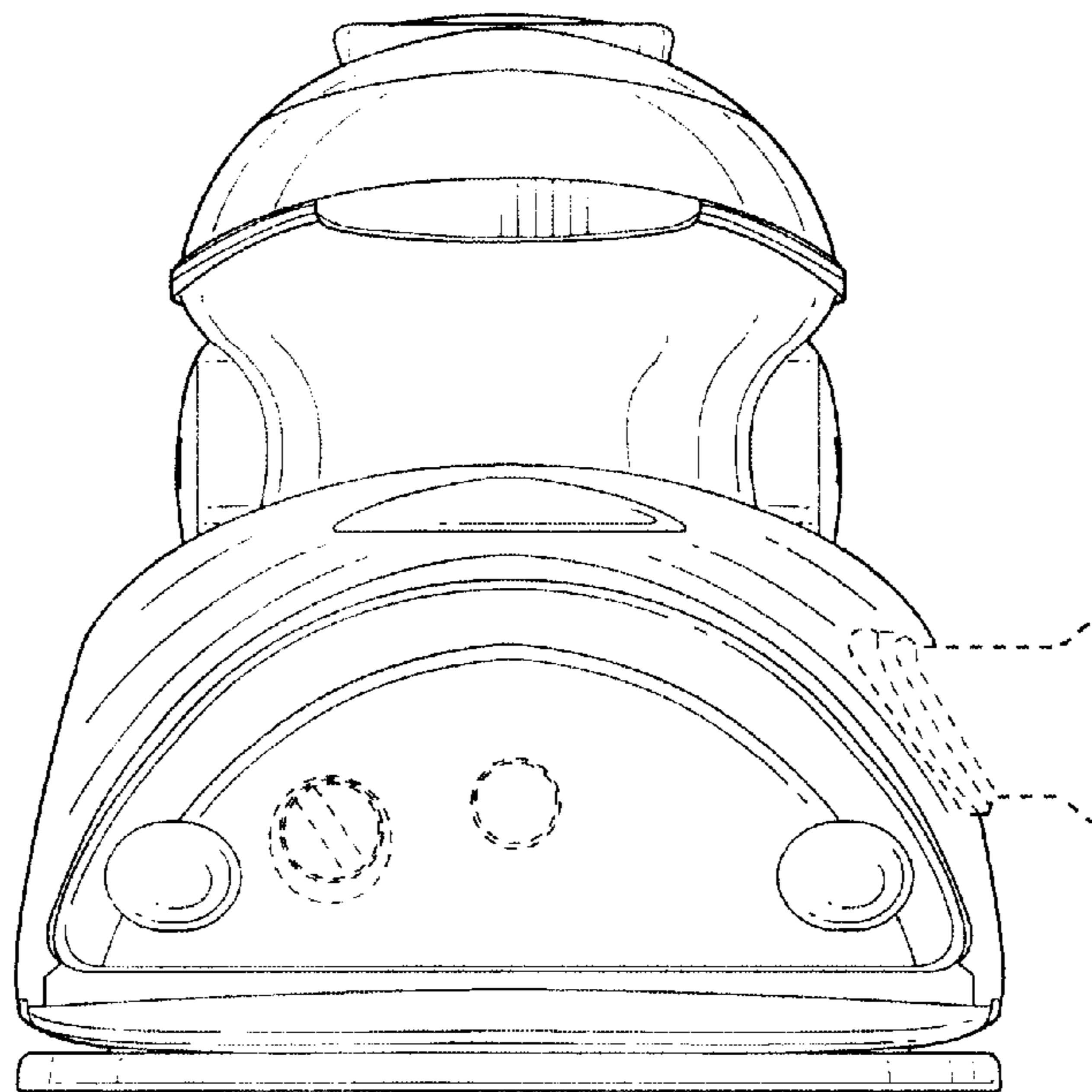


FIG. 12

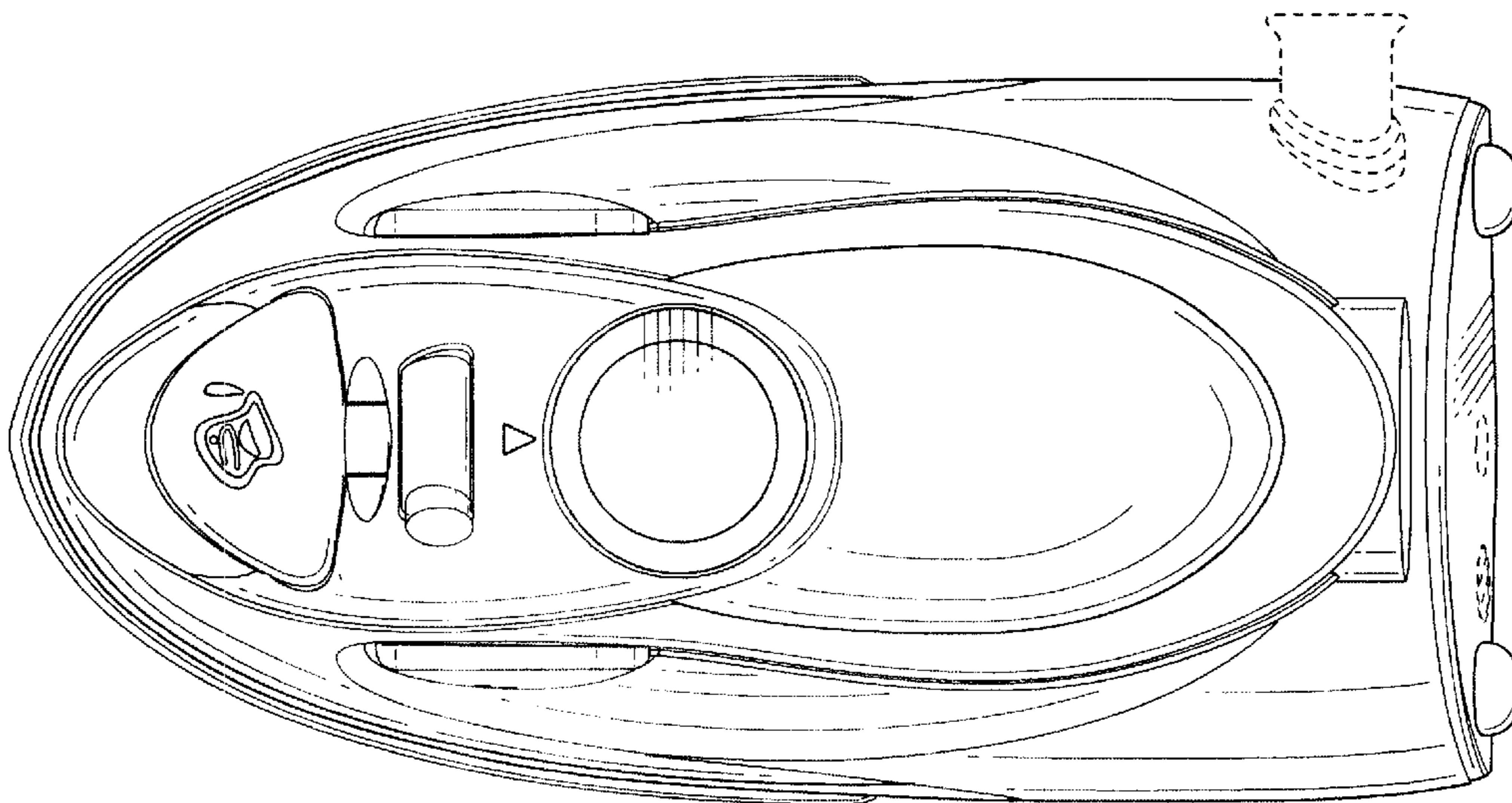


FIG. 13

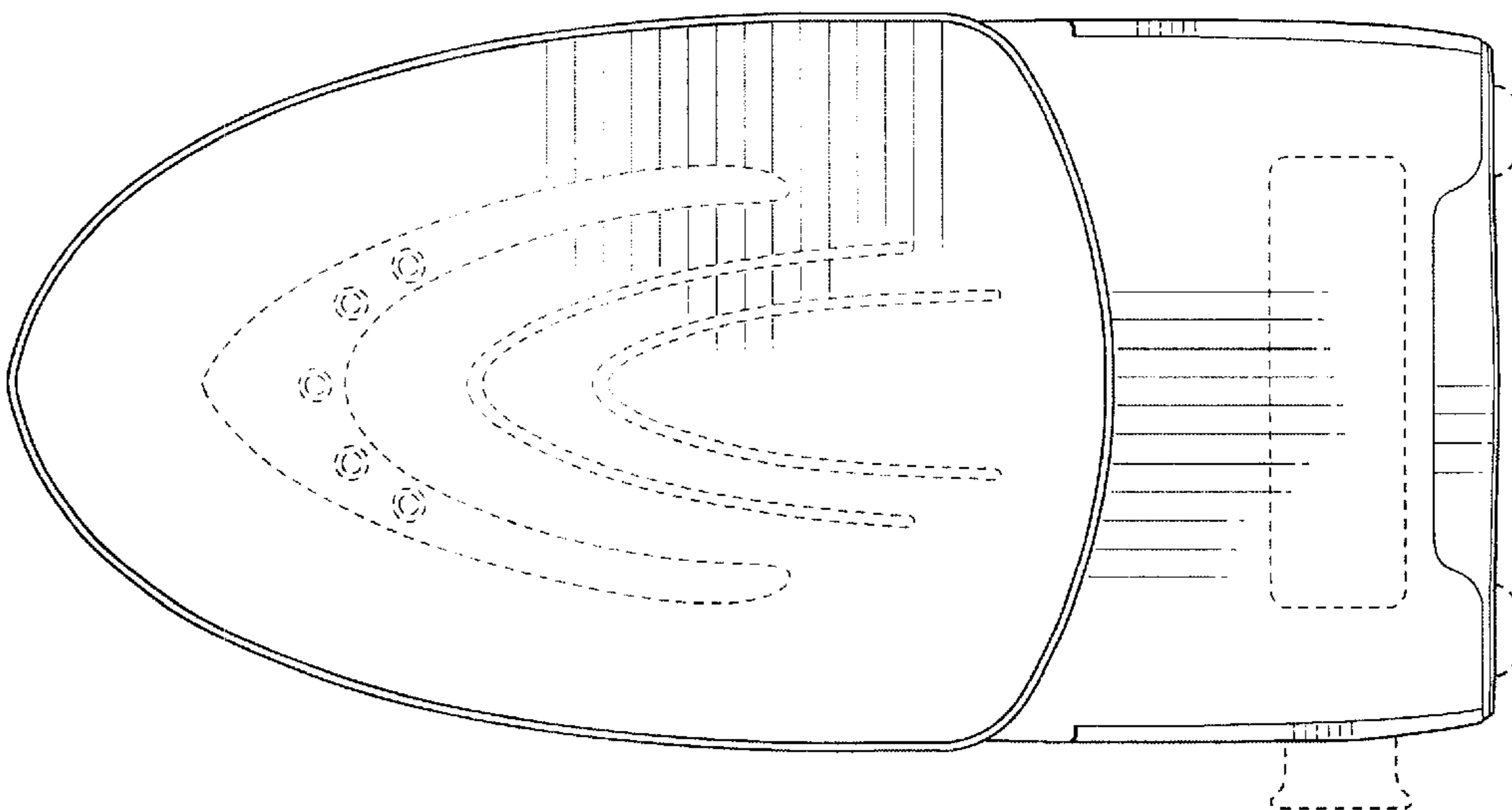


FIG. 14

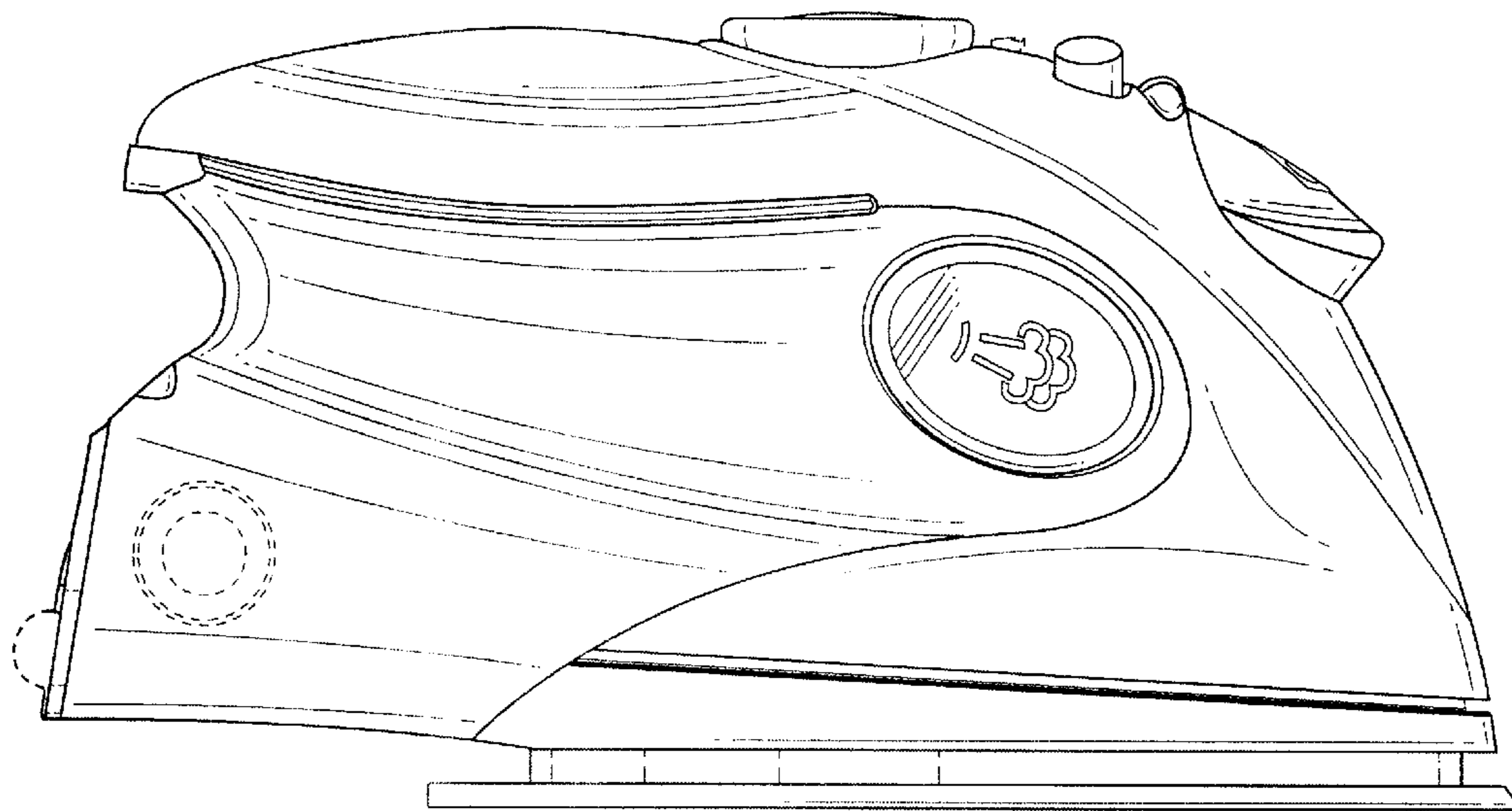


FIG. 15

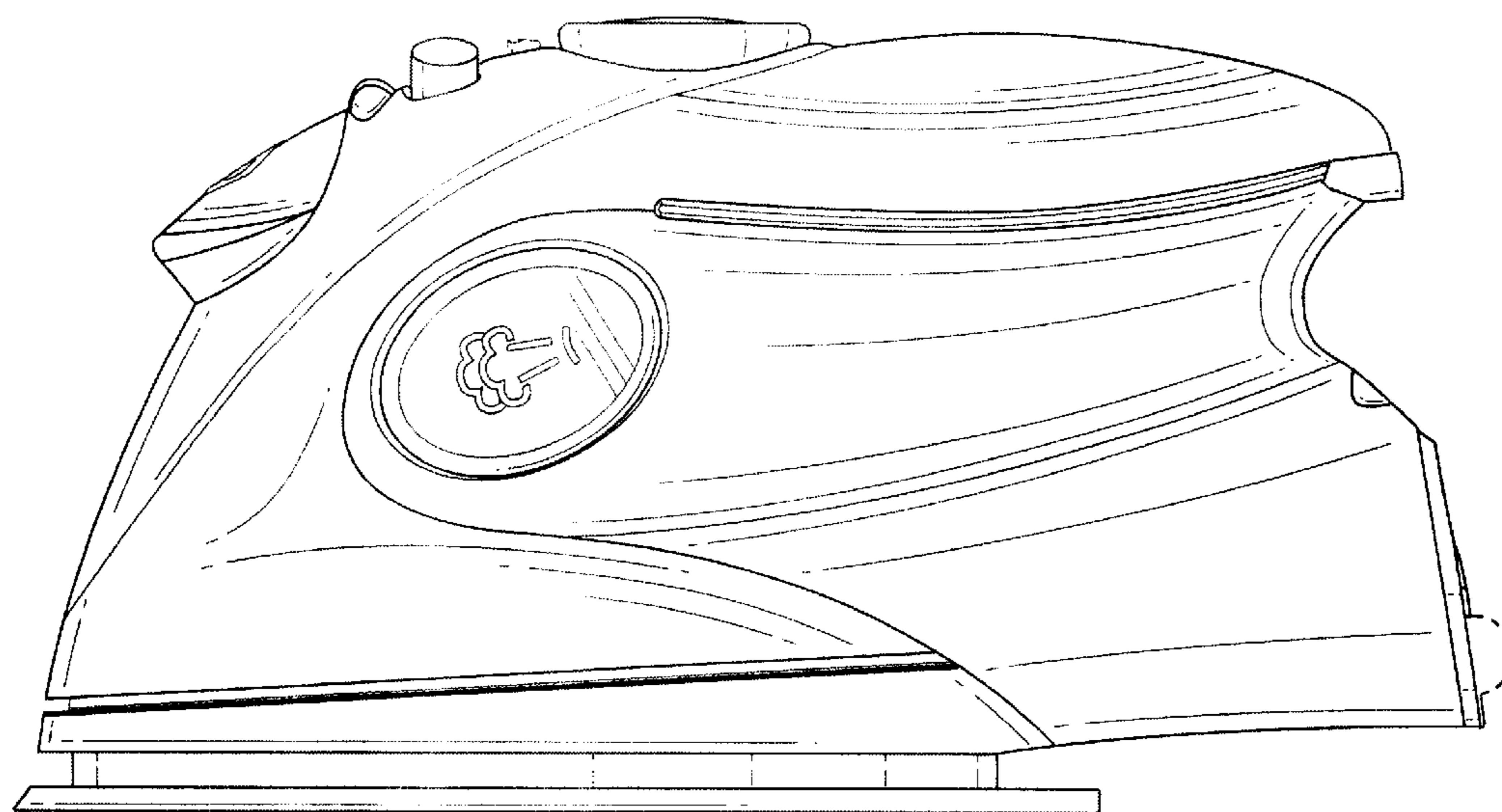


FIG. 16