



US00D530866S

(12) **United States Design Patent**
Woltmann et al.

(10) **Patent No.:** **US D530,866 S**

(45) **Date of Patent:** **** Oct. 24, 2006**

(54) **BIRDCAGE ATTACHMENT**

(75) Inventors: **Klaus Woltmann**, Demarest, NJ (US);
Jonathan Willinger, Tenafly, NJ (US)

(73) Assignee: **JW Pet Company**, Teterboro, NJ (US)

(**) Term: **14 Years**

(21) Appl. No.: **29/230,071**

(22) Filed: **May 16, 2005**

Related U.S. Application Data

(60) Division of application No. 29/180,987, filed on May 2, 2003, now Pat. No. Des. 508,589, which is a continuation-in-part of application No. 10/371,646, filed on Feb. 21, 2003, now Pat. No. 6,971,332.

(51) **LOC (8) Cl.** **30-02**

(52) **U.S. Cl.** **D30/119**

(58) **Field of Classification Search** 119/467-468,
119/477, 531, 533, 537, 702-703, 706-711;
D30/119, 160; D21/476, 685, 406-408, 483,
D21/662, 681-682, 707, 713; 446/69, 227,
446/241; 482/24, 39; D1/106, 125-128, 199;
D24/211-212; 473/575-576, 579-580, 596;
601/118, 120-121

See application file for complete search history.

(56) **References Cited**

U.S. PATENT DOCUMENTS

804,907 A * 11/1905 Whitfield 446/247
D89,923 S * 5/1933 Robison D30/119

2,483,003 A * 9/1949 Fischer 119/468
D166,334 S * 4/1952 Moon D30/119
D167,326 S * 7/1952 Verosub et al. D30/119
D174,580 S * 4/1955 Kiehl D30/119
2,731,949 A * 1/1956 Arnould 119/537
3,678,901 A * 7/1972 Dulle 119/537
3,815,282 A * 6/1974 Frost 446/69
4,188,745 A * 2/1980 Harvey et al. 446/227
D371,226 S * 6/1996 Lee D30/119
D371,227 S * 6/1996 Lee D30/119
6,457,439 B1 * 10/2002 Engelking 119/537
6,827,040 B1 * 12/2004 McGinn et al. 119/706

* cited by examiner

Primary Examiner—Cathy Anne MacCormac

(74) *Attorney, Agent, or Firm*—Katten Muchin Rosenman LLP

(57) **CLAIM**

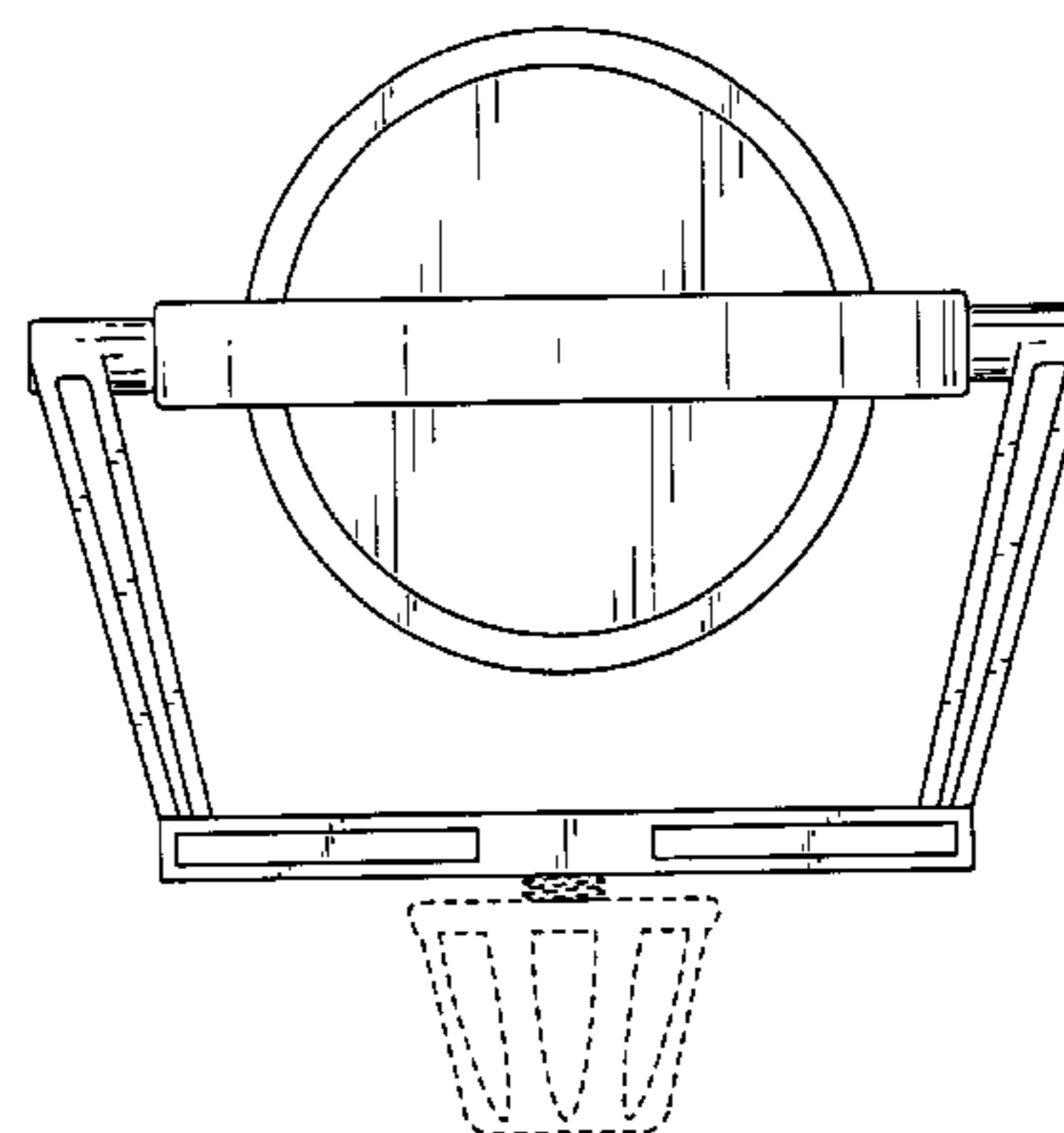
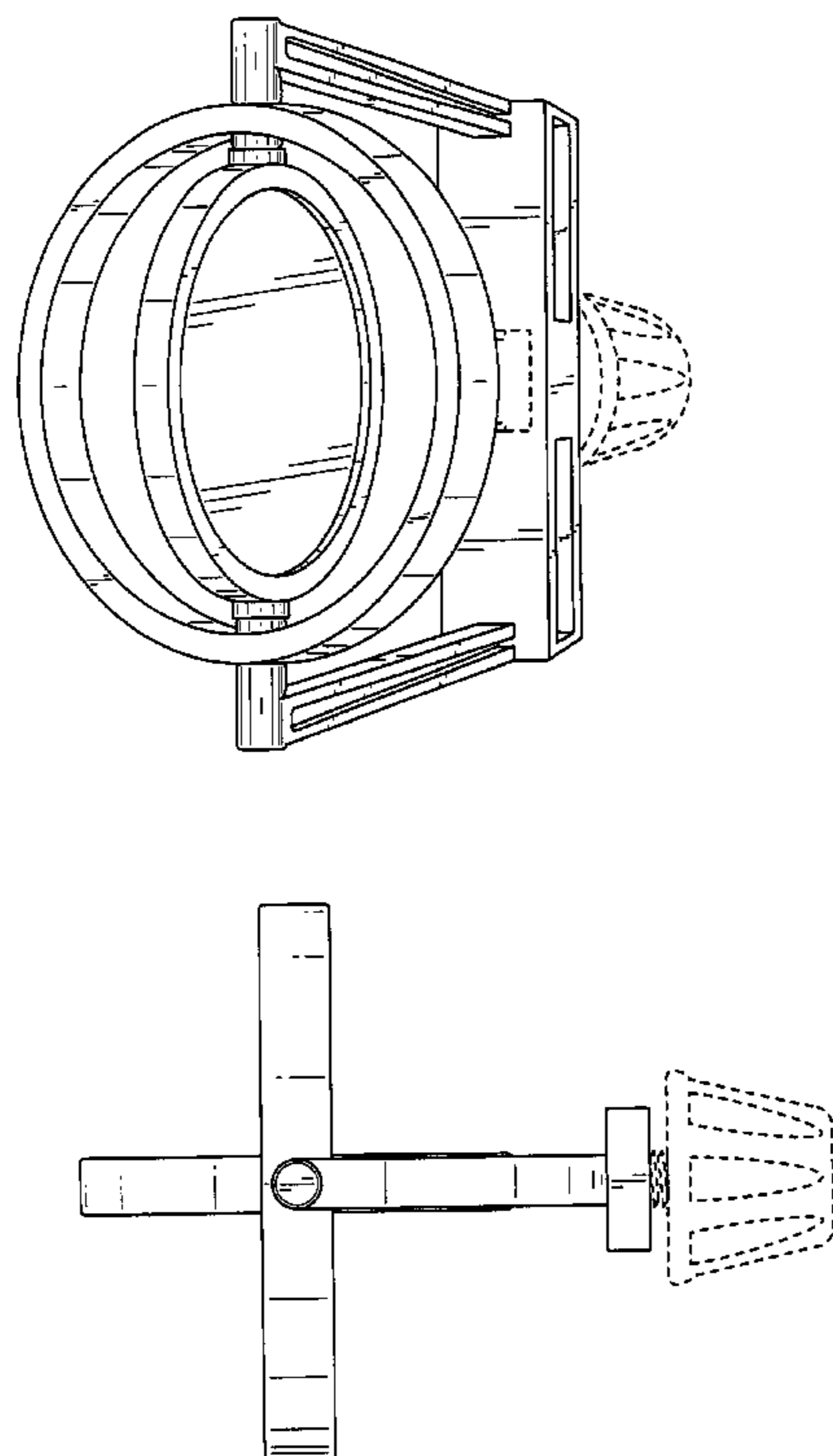
The ornamental design for a birdcage attachment, as shown and described.

DESCRIPTION

FIG. 1 is a perspective view of a birdcage attachment showing our new design;
FIG. 2 is a front elevation view thereof;
FIG. 3 is a rear elevation view thereof;
FIG. 4 is a left side elevation view thereof;
FIG. 5 is a right side elevation view thereof;
FIG. 6 is a top view thereof; and,
FIG. 7 is a bottom view thereof.

The broken lines are for illustrative purposes only and form no part of the claimed design.

1 Claim, 4 Drawing Sheets



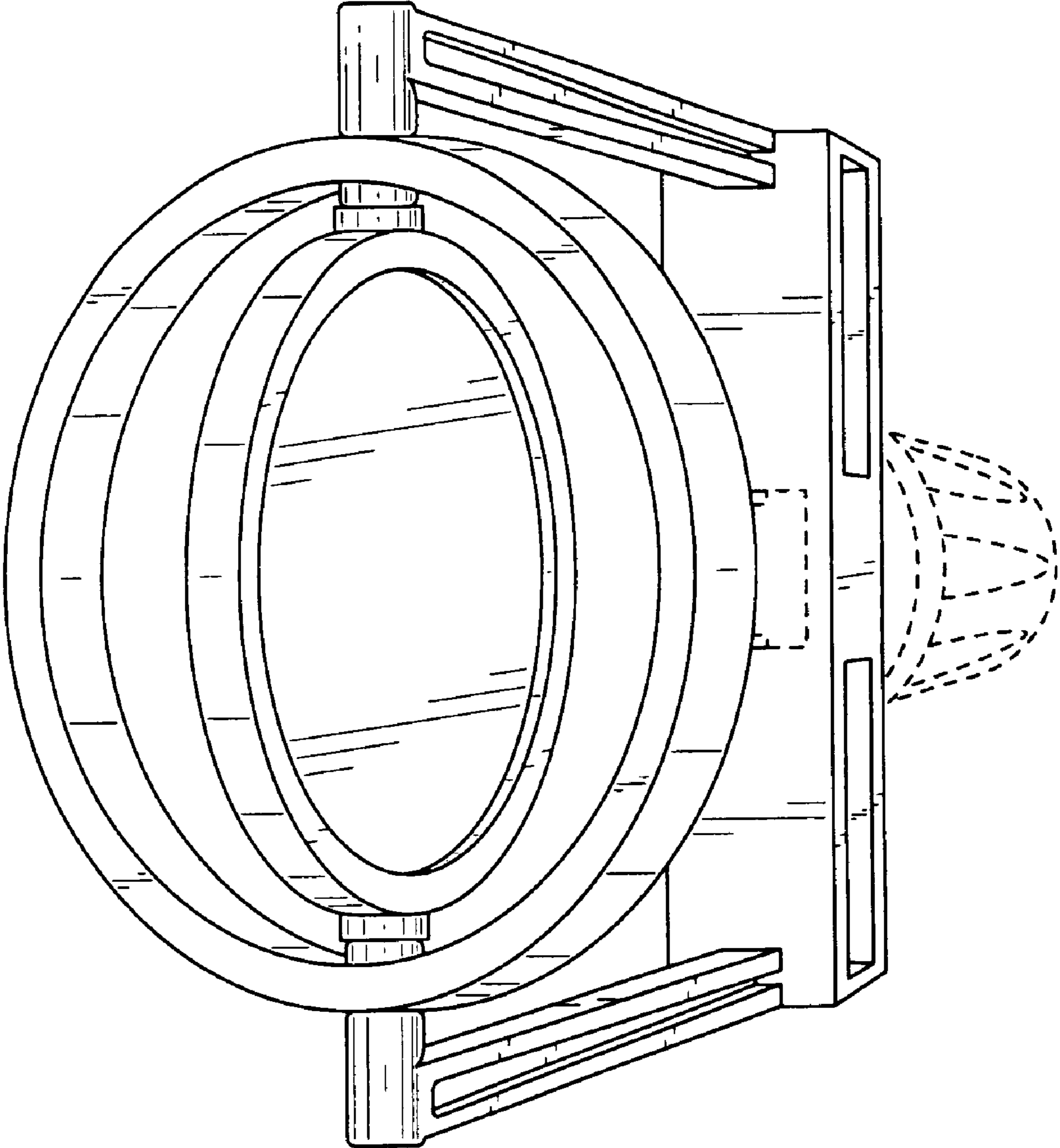


FIG. 1

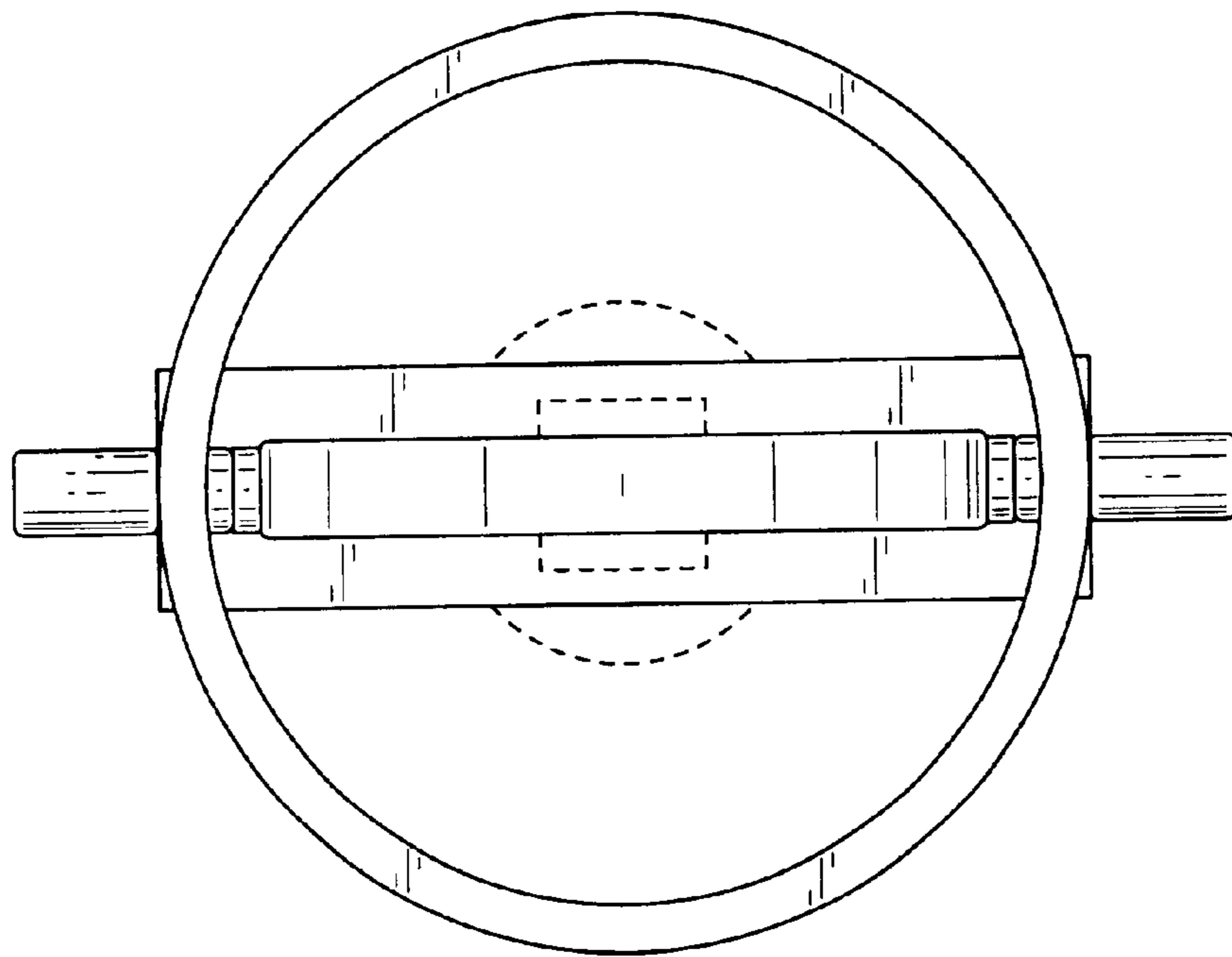


FIG. 2

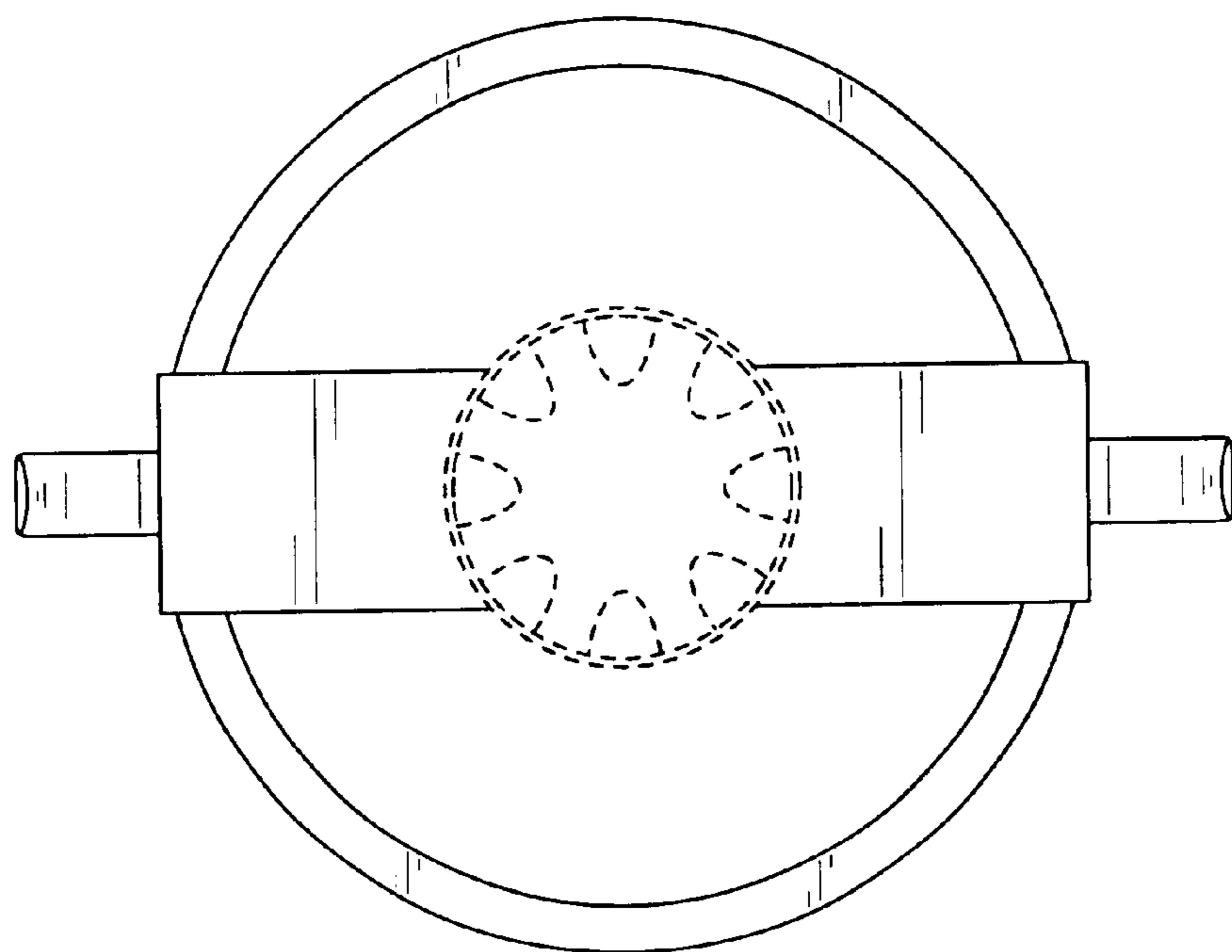


FIG. 3

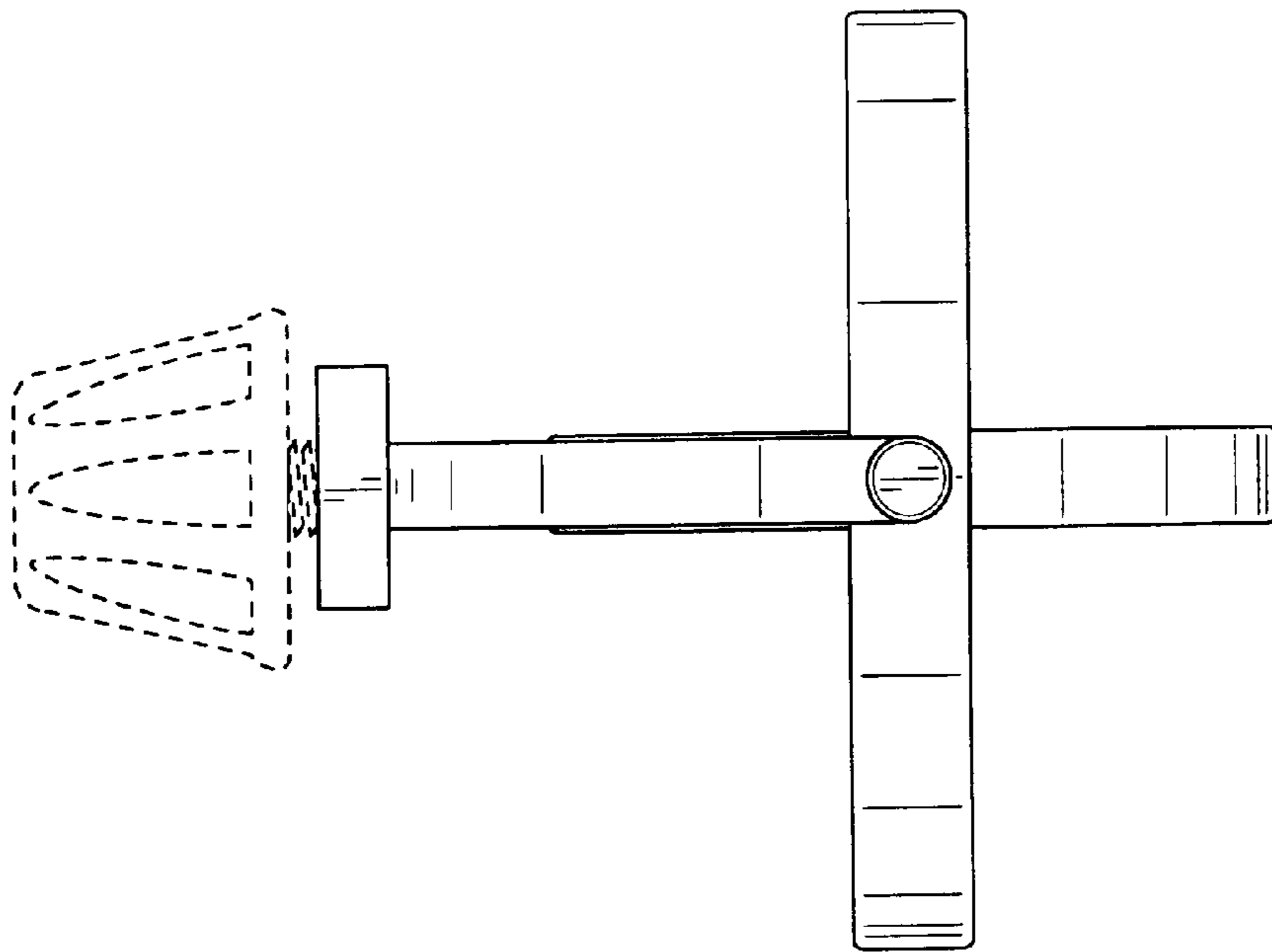


FIG. 4

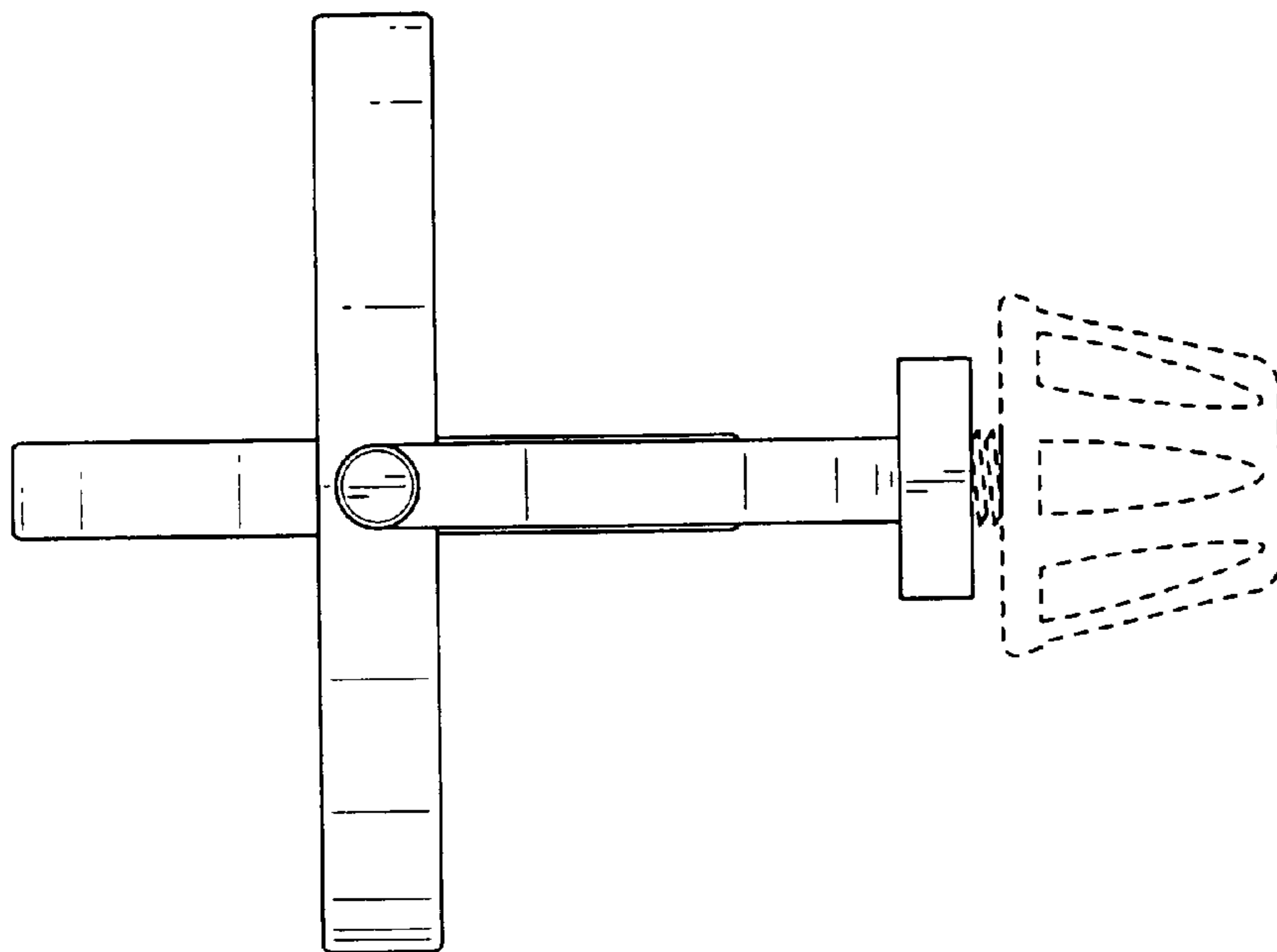


FIG. 5

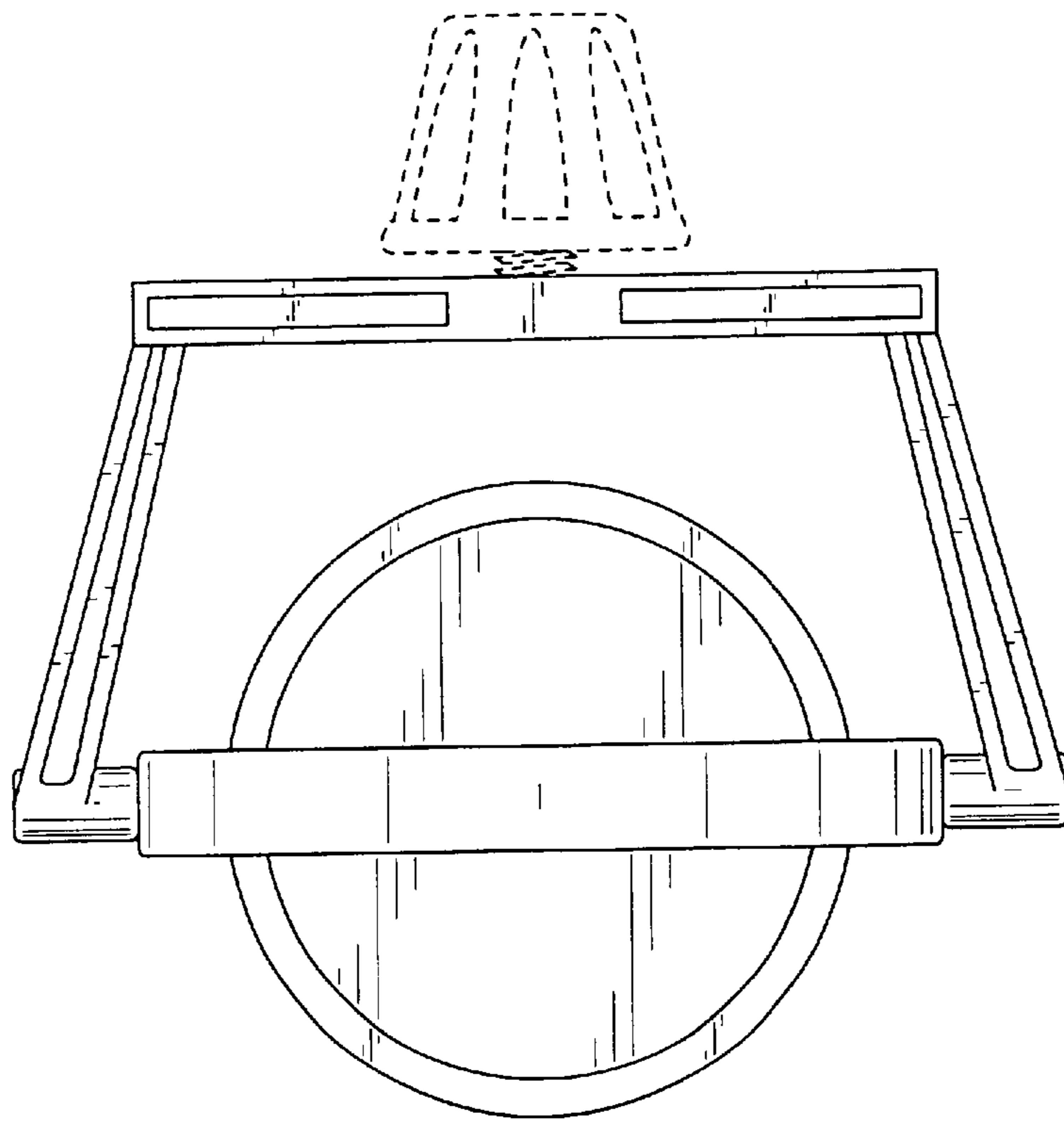


FIG. 6

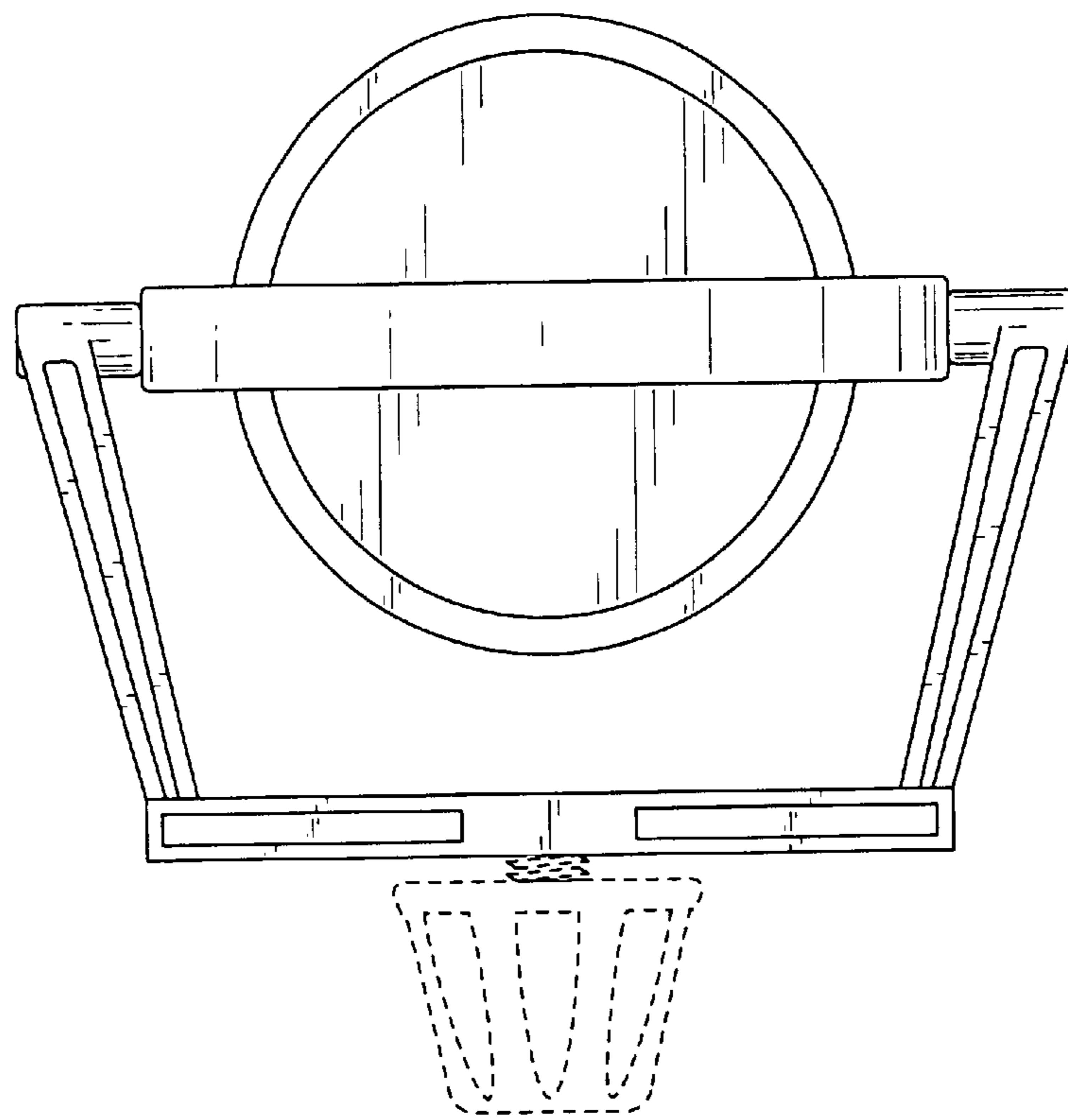


FIG. 7