



US00D530861S

(12) **United States Design Patent**
Kuo

(10) **Patent No.:** **US D530,861 S**

(45) **Date of Patent:** **** Oct. 24, 2006**

(54) **COSMETIC CONTAINER**

(75) Inventor: **Fu-Shou Kuo**, Tainan (TW)

(73) Assignee: **Chi-Jan Enterprise Co., Ltd.**, Tainan County (TW)

(**) Term: **14 Years**

(21) Appl. No.: **29/241,227**

(22) Filed: **Oct. 26, 2005**

(51) **LOC (8) Cl.** **28-03**

(52) **U.S. Cl.** **D28/83**

(58) **Field of Classification Search** D28/76-83;
206/581, 823; 132/293-307, 315
See application file for complete search history.

(56) **References Cited**

U.S. PATENT DOCUMENTS

4,589,430 A * 5/1986 Sussman 132/294
D478,397 S * 8/2003 Bakic D28/83

D496,133 S * 9/2004 Dittmer et al. D28/83
D518,603 S * 4/2006 Dittmer et al. D28/83
2002/0179110 A1 * 12/2002 Yunakov 132/294

* cited by examiner

Primary Examiner—Jennifer Rivard

(74) *Attorney, Agent, or Firm*—Rosenberg, Klein & Lee

(57) **CLAIM**

The ornamental design for a cosmetic container, as shown and described.

DESCRIPTION

FIG. 1 is a perspective view of a cosmetic container showing my new design;

FIG. 2 is a front elevational view thereof;

FIG. 3 is a rear elevational view thereof;

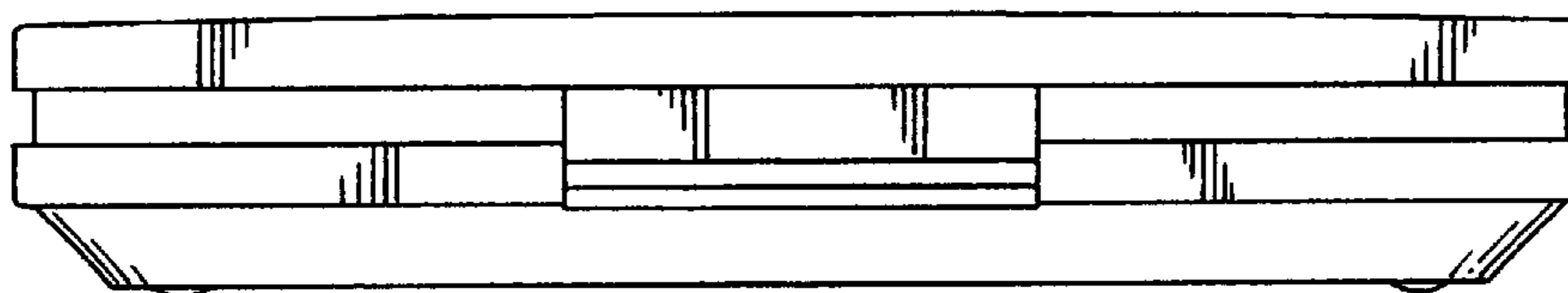
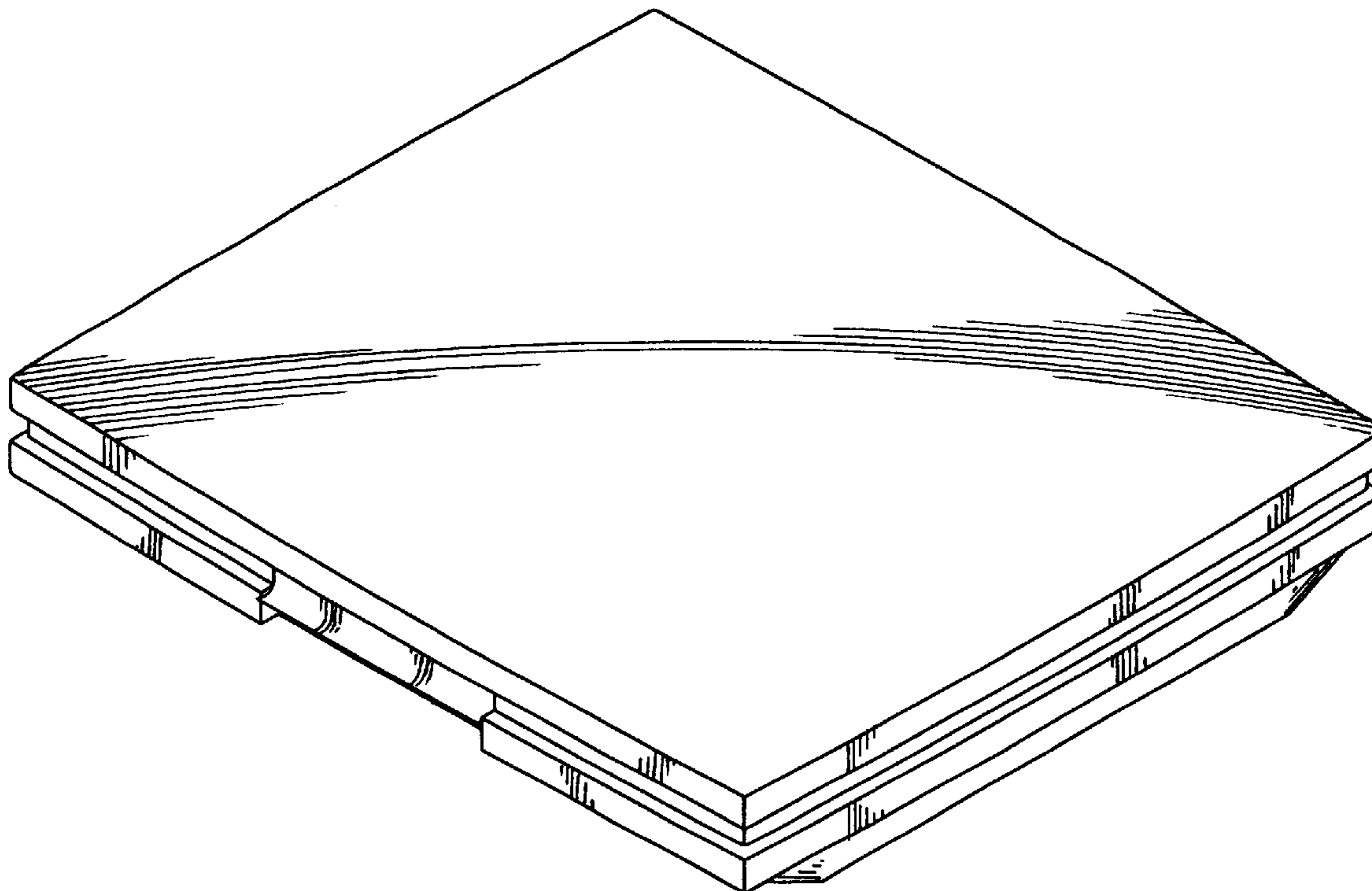
FIG. 4 is a left side elevational view thereof;

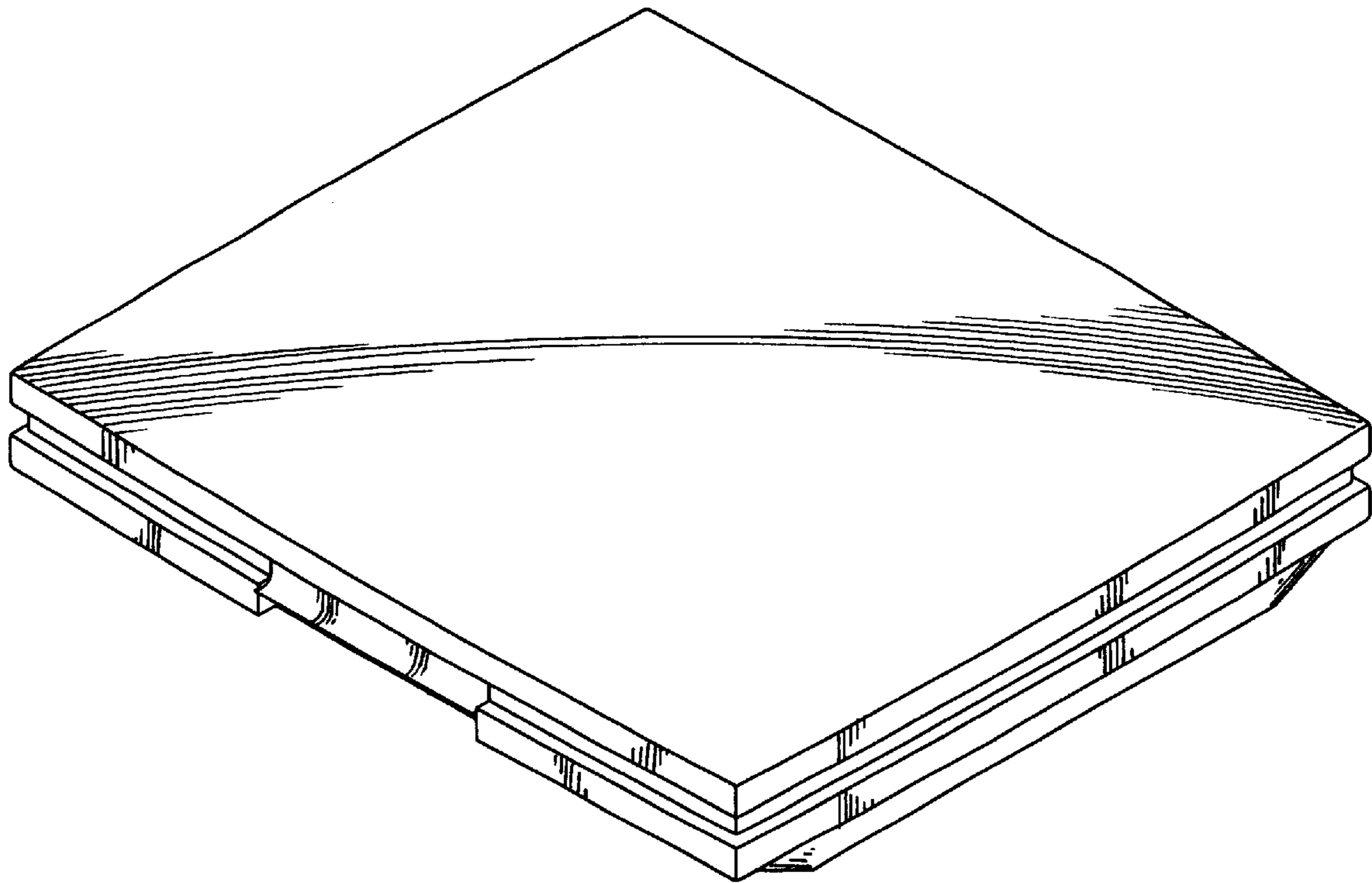
FIG. 5 is a right side elevational view thereof;

FIG. 6 is a top plan view thereof; and,

FIG. 7 is a bottom plan view thereof.

1 Claim, 4 Drawing Sheets





F I G . 1

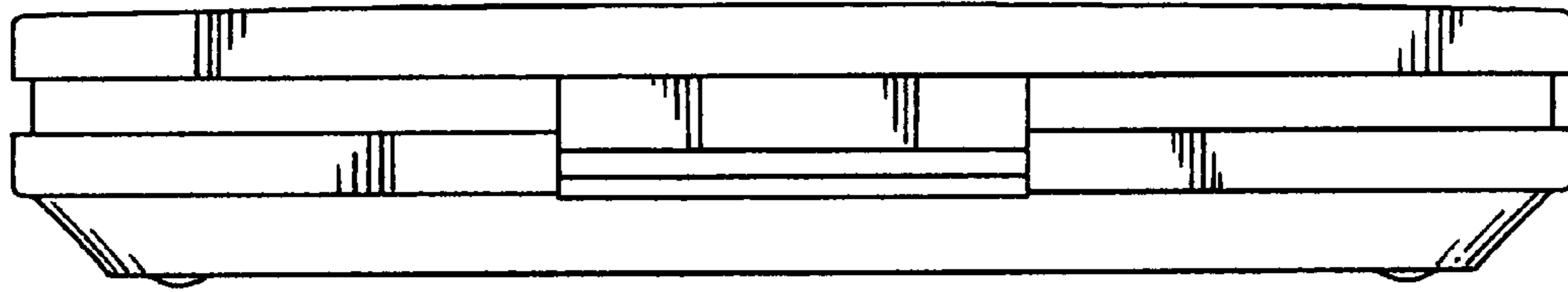


FIG. 2

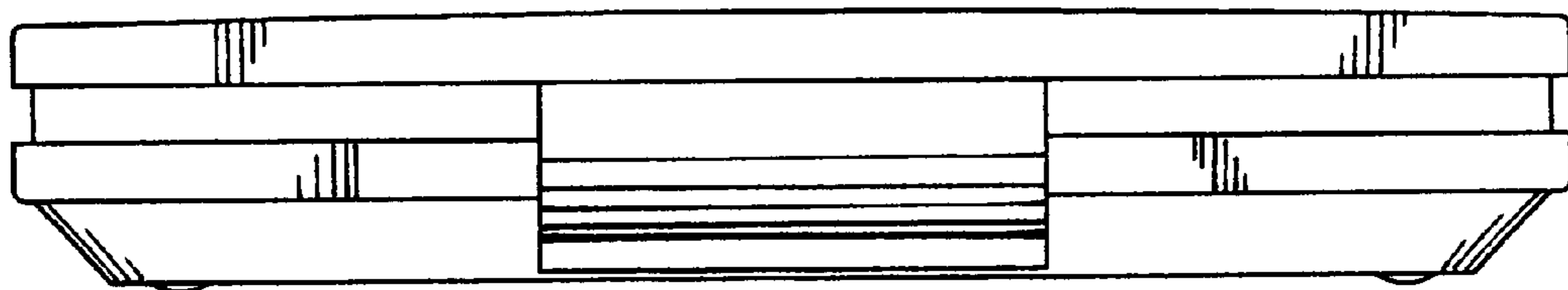


FIG. 3

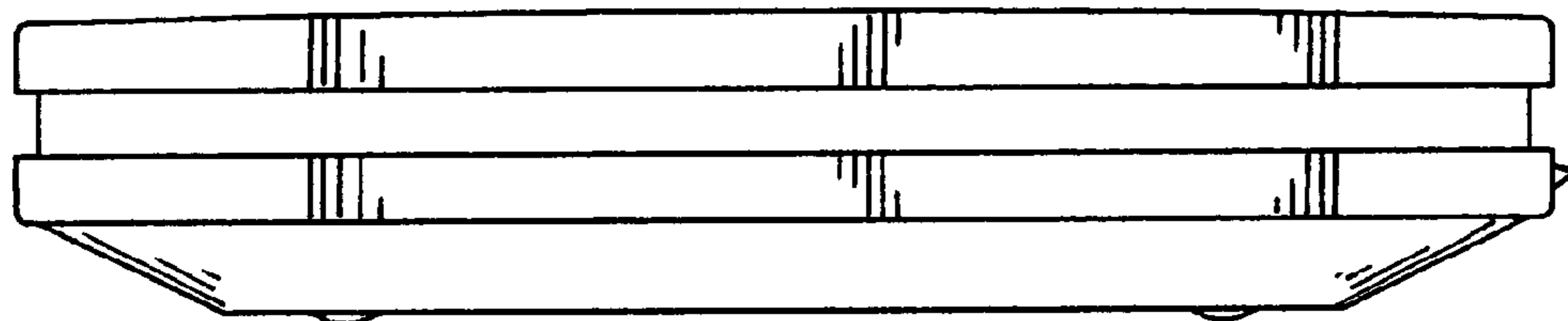


FIG. 4

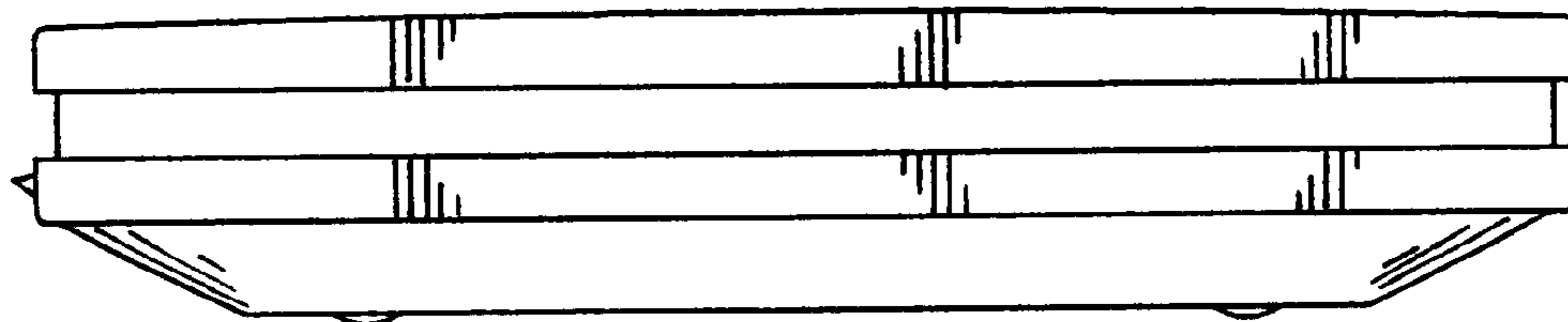
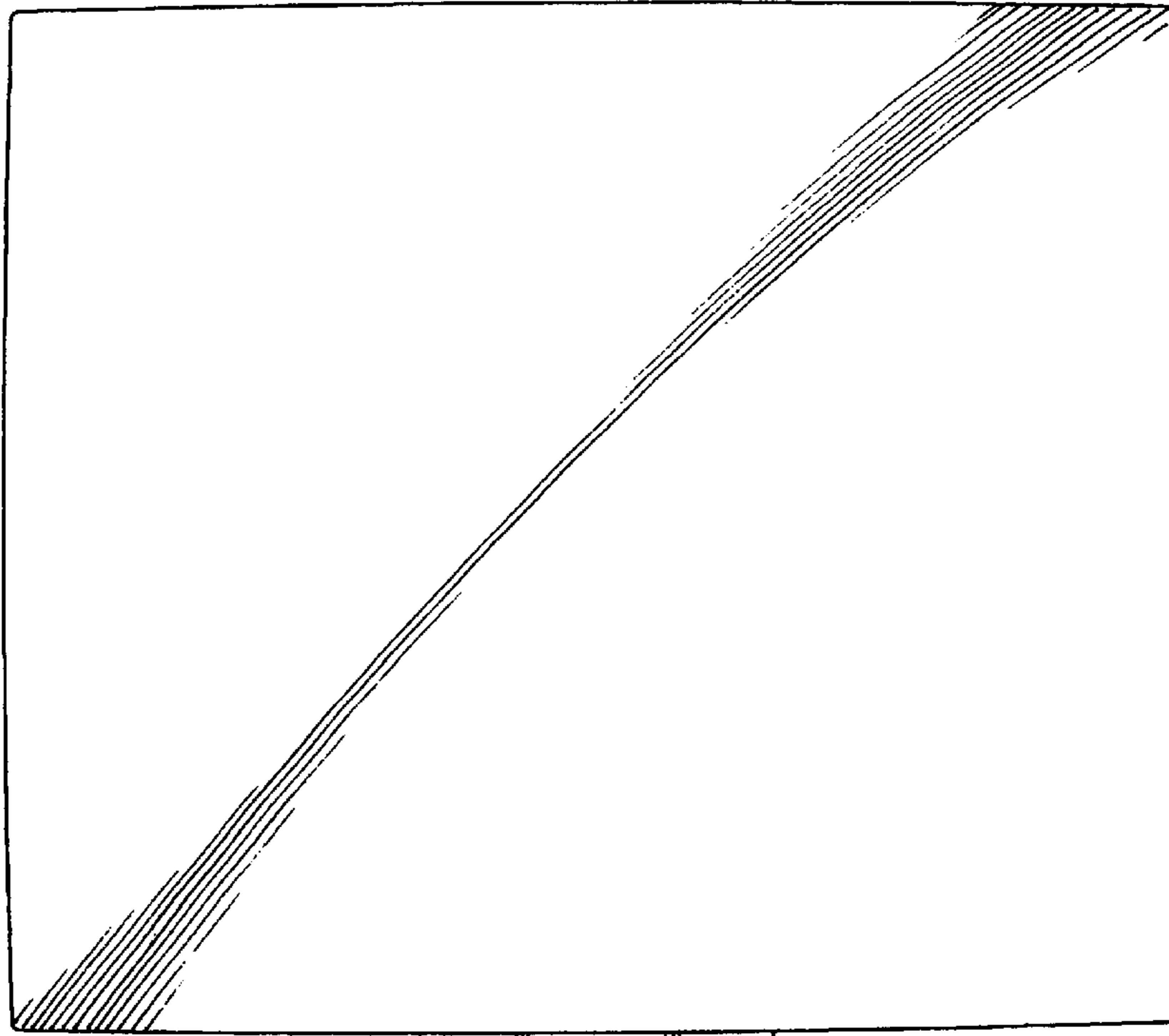
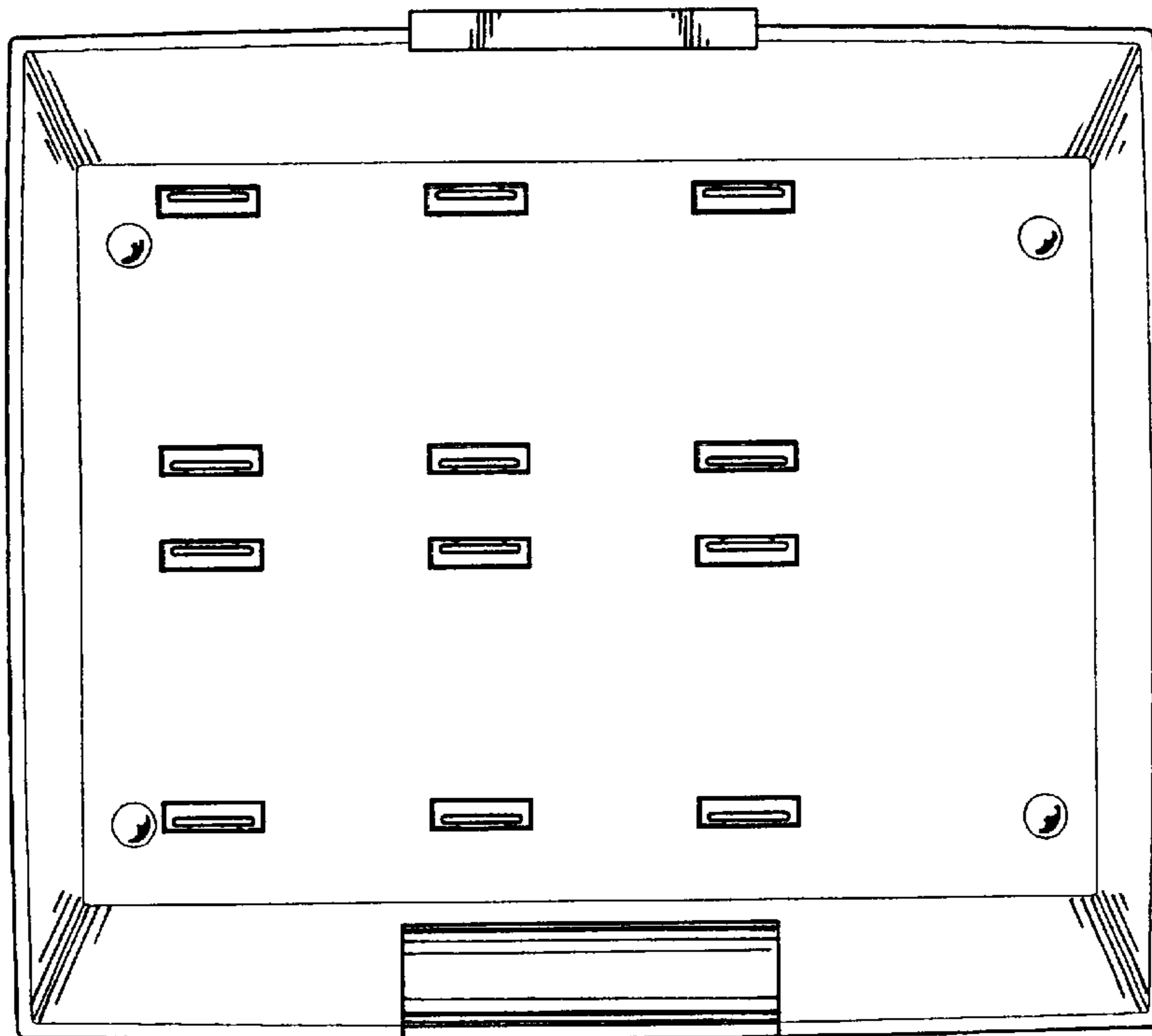


FIG. 5



F I G. 6



F I G. 7