



US00D530860S

(12) **United States Design Patent**
Funkhouser et al.

(10) **Patent No.: US D530,860 S**

(45) **Date of Patent: ** Oct. 24, 2006**

(54) **COSMETIC CONTAINER**

(75) Inventors: **Benjamin E. Funkhouser**, New York, NY (US); **Kai Kaden**, New York, NY (US); **Christopher D. Barr**, Belmont, MI (US)

(73) Assignee: **Access Business Group International LLC**, Ada, MI (US)

(**) Term: **14 Years**

(21) Appl. No.: **29/244,310**

(22) Filed: **Dec. 7, 2005**

Related U.S. Application Data

(62) Division of application No. 29/224,481, filed on Mar. 2, 2005.

(51) **LOC (8) Cl.** **28-03**

(52) **U.S. Cl.** **D28/82**

(58) **Field of Classification Search** D28/76,
D28/77, 78, 81, 82; 132/293-307; D9/529;
220/4.22, 4.23; 206/581, 823

See application file for complete search history.

(56) **References Cited**

U.S. PATENT DOCUMENTS

D319,897 S * 9/1991 Bakic D28/82

D366,737 S * 1/1996 Chen D32/35
D420,172 S * 2/2000 Thorpe D28/82
D424,752 S * 5/2000 Thorpe D28/82
D496,759 S * 9/2004 Rodriguez D28/82
D497,037 S * 10/2004 Rodriguez D28/82
D507,078 S * 7/2005 Greenfield D28/82

* cited by examiner

Primary Examiner—Jennifer Rivard

(74) *Attorney, Agent, or Firm*—Warner Norcross & Judd

(57) **CLAIM**

The ornamental design for cosmetic container, as shown and described.

DESCRIPTION

FIG. 1 is a perspective view of the closed cosmetic container;

FIG. 2 is a perspective view of the open cosmetic container;

FIG. 3 is a front elevational view of the same;

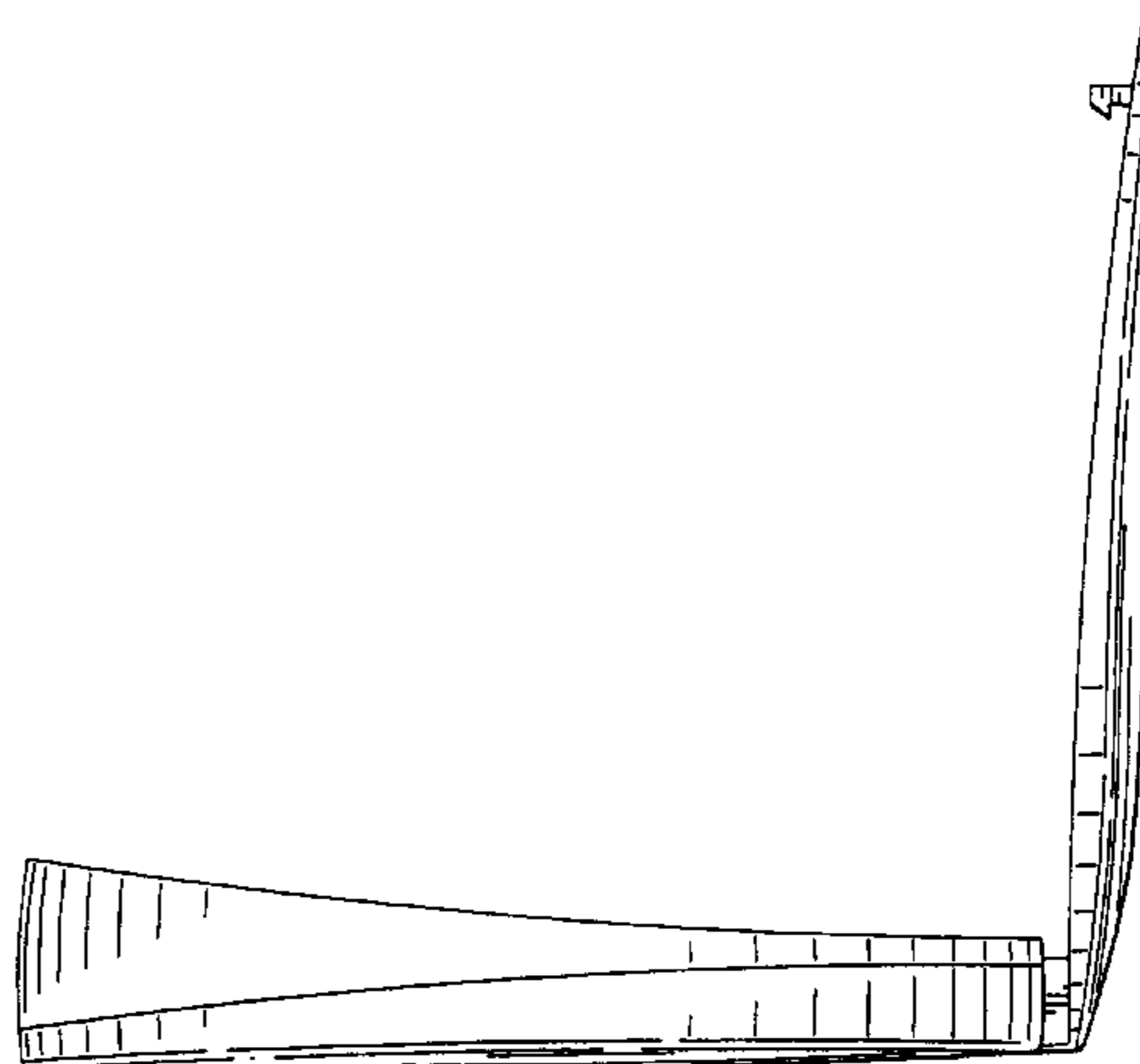
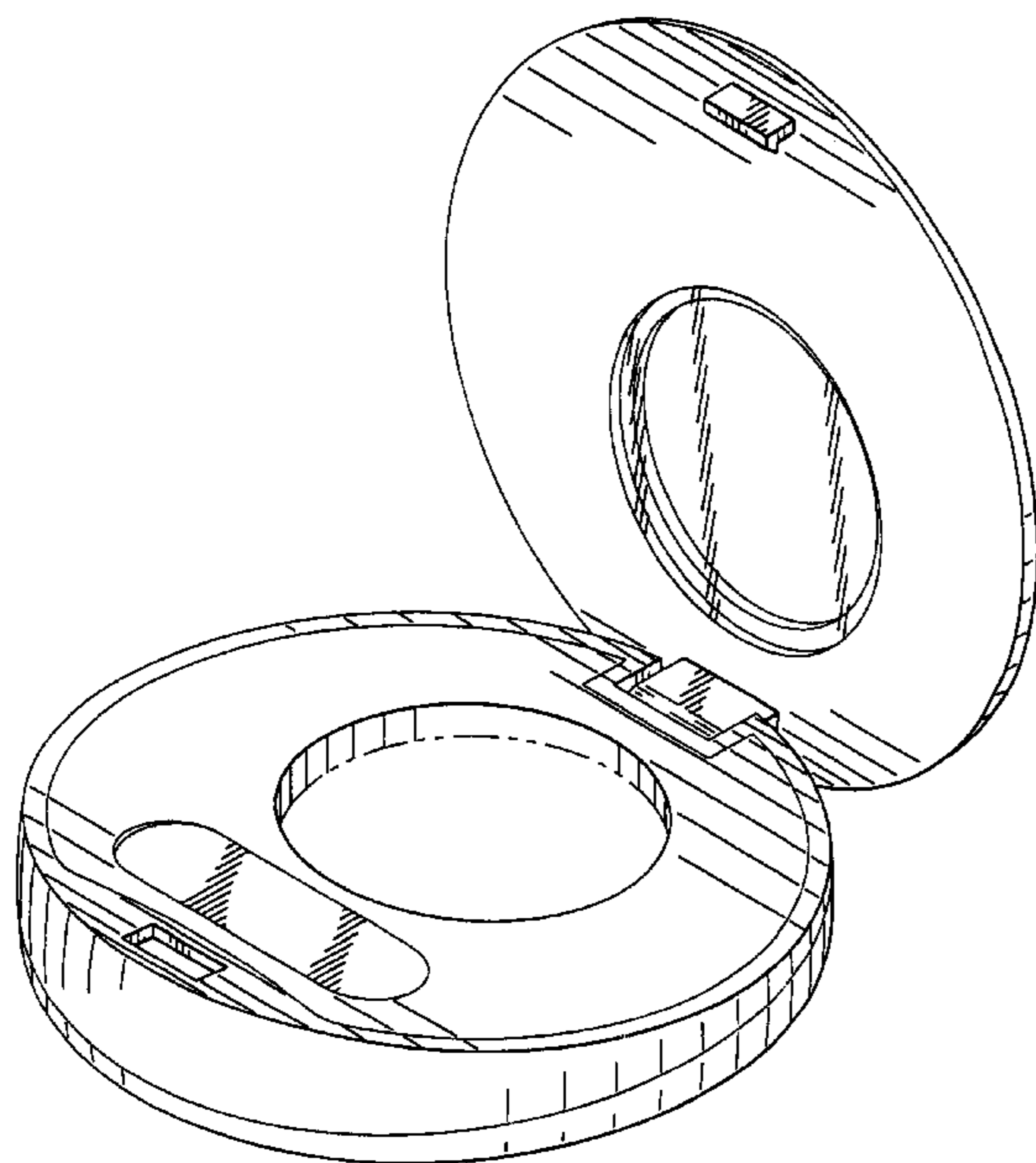
FIG. 4 is a right side elevational view of the same, the left side elevational view being a mirror image thereof;

FIG. 5 is a rear elevational view of the same;

FIG. 6 is a top plan view of the same; and,

FIG. 7 is a bottom plan view of the same.

1 Claim, 4 Drawing Sheets



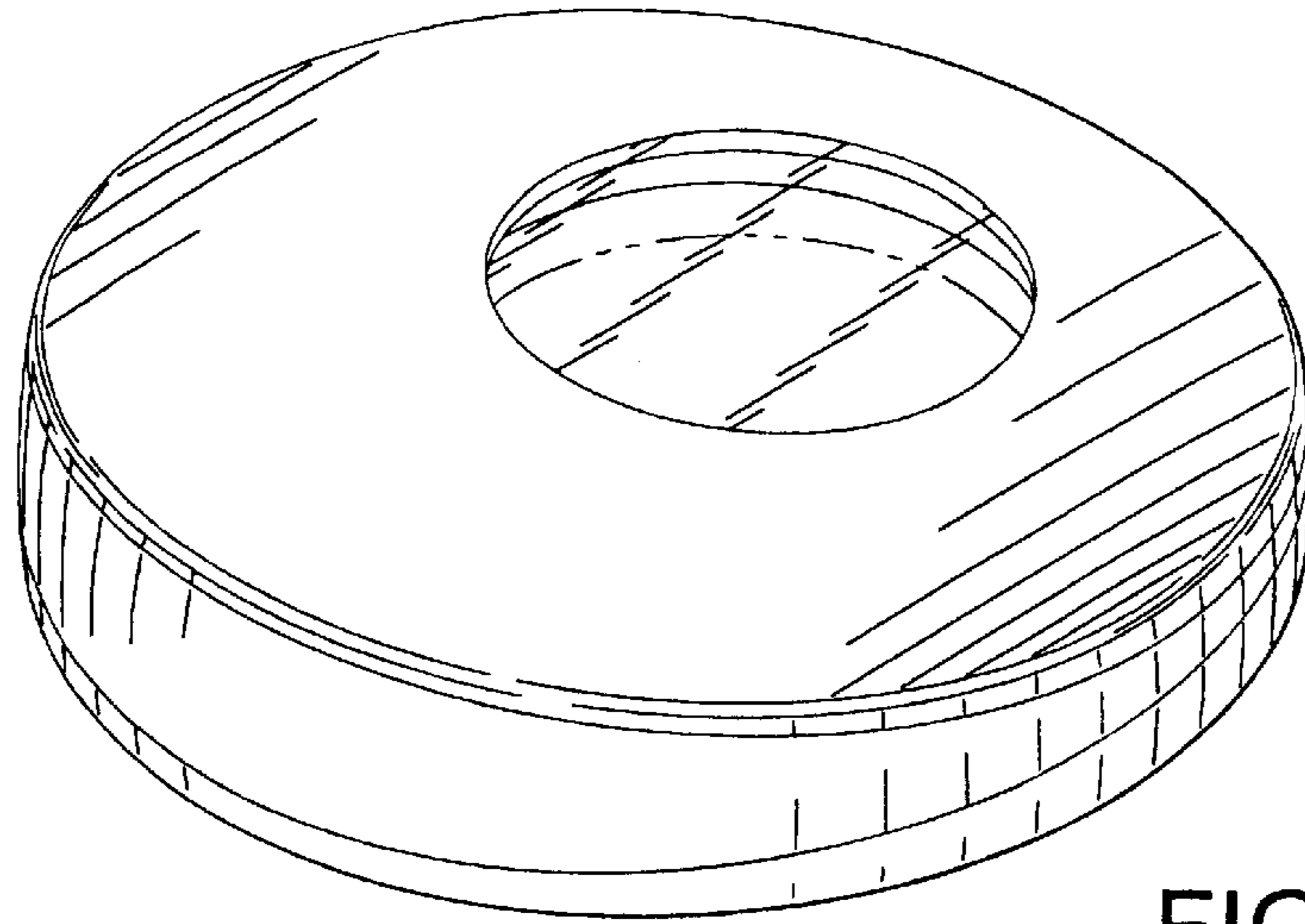


FIG. 1

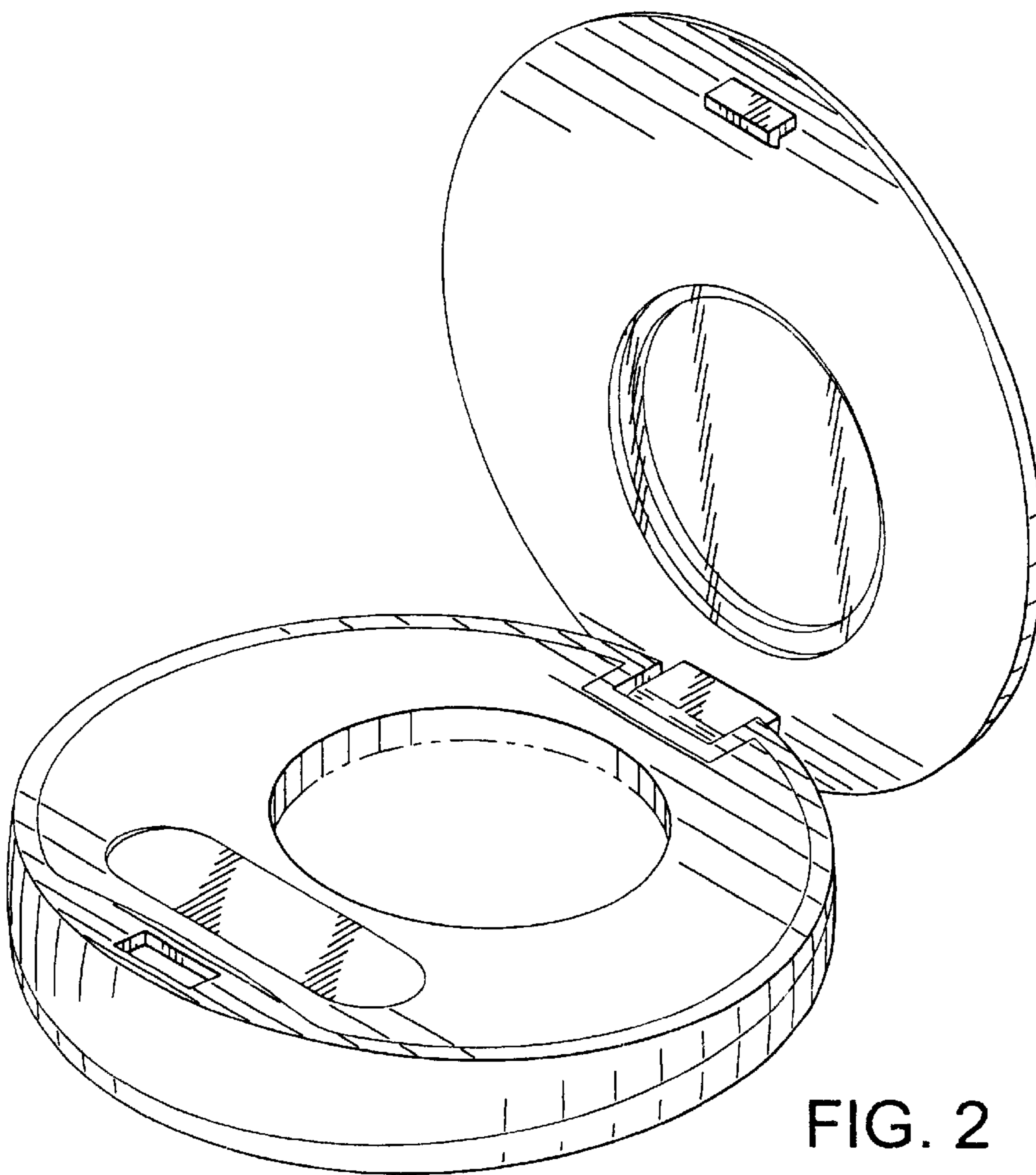


FIG. 2

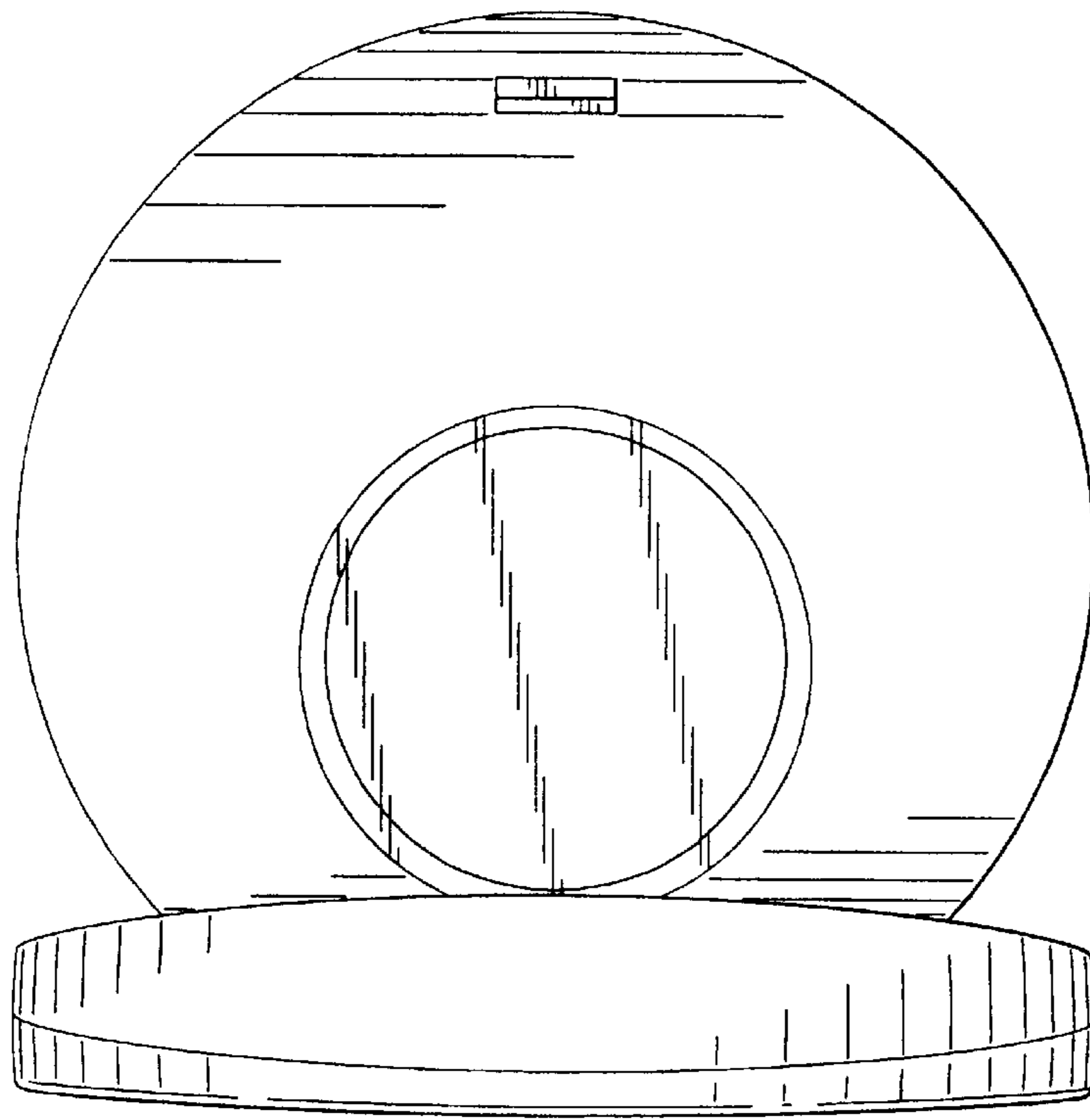


FIG. 3

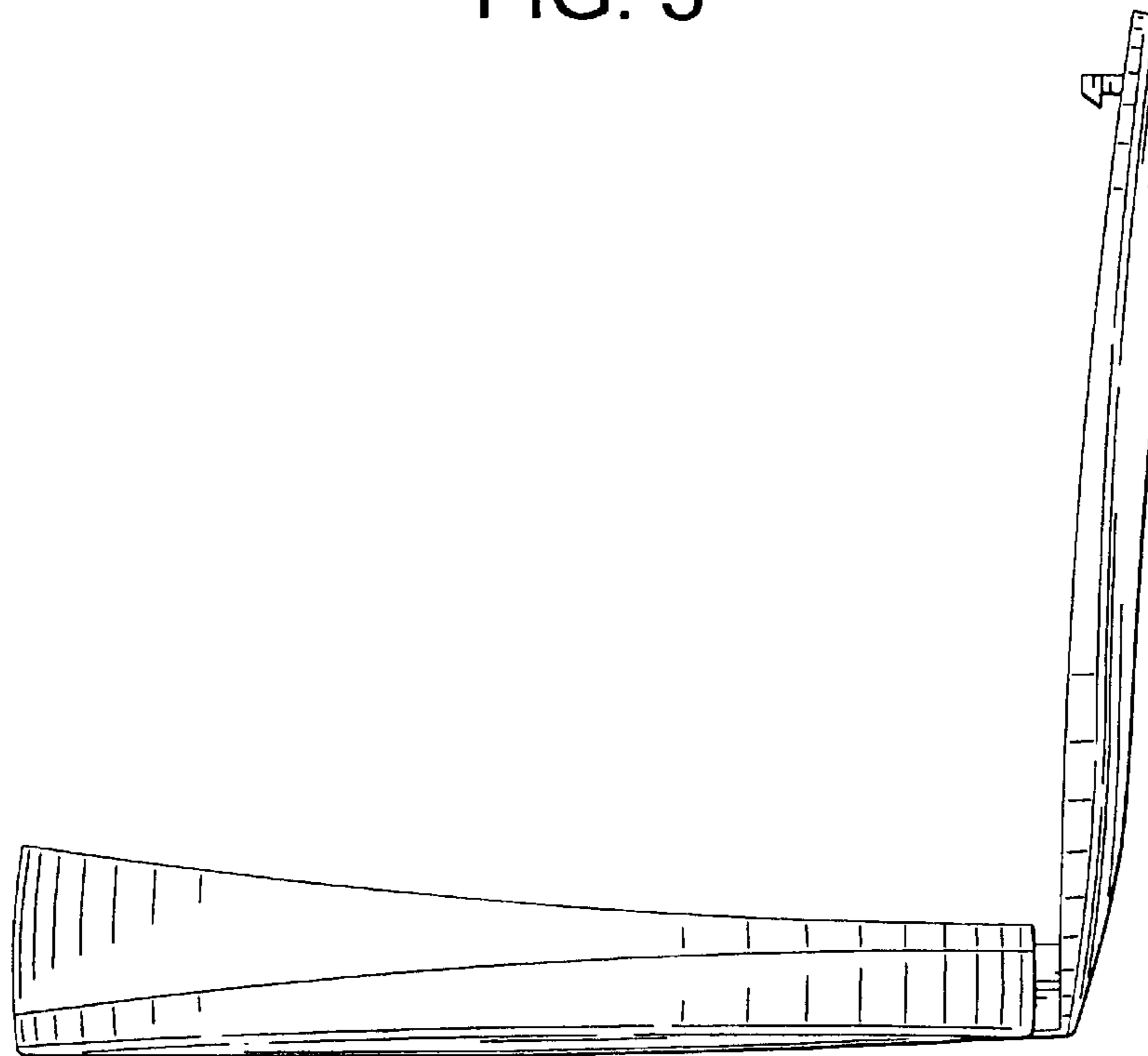


FIG. 4

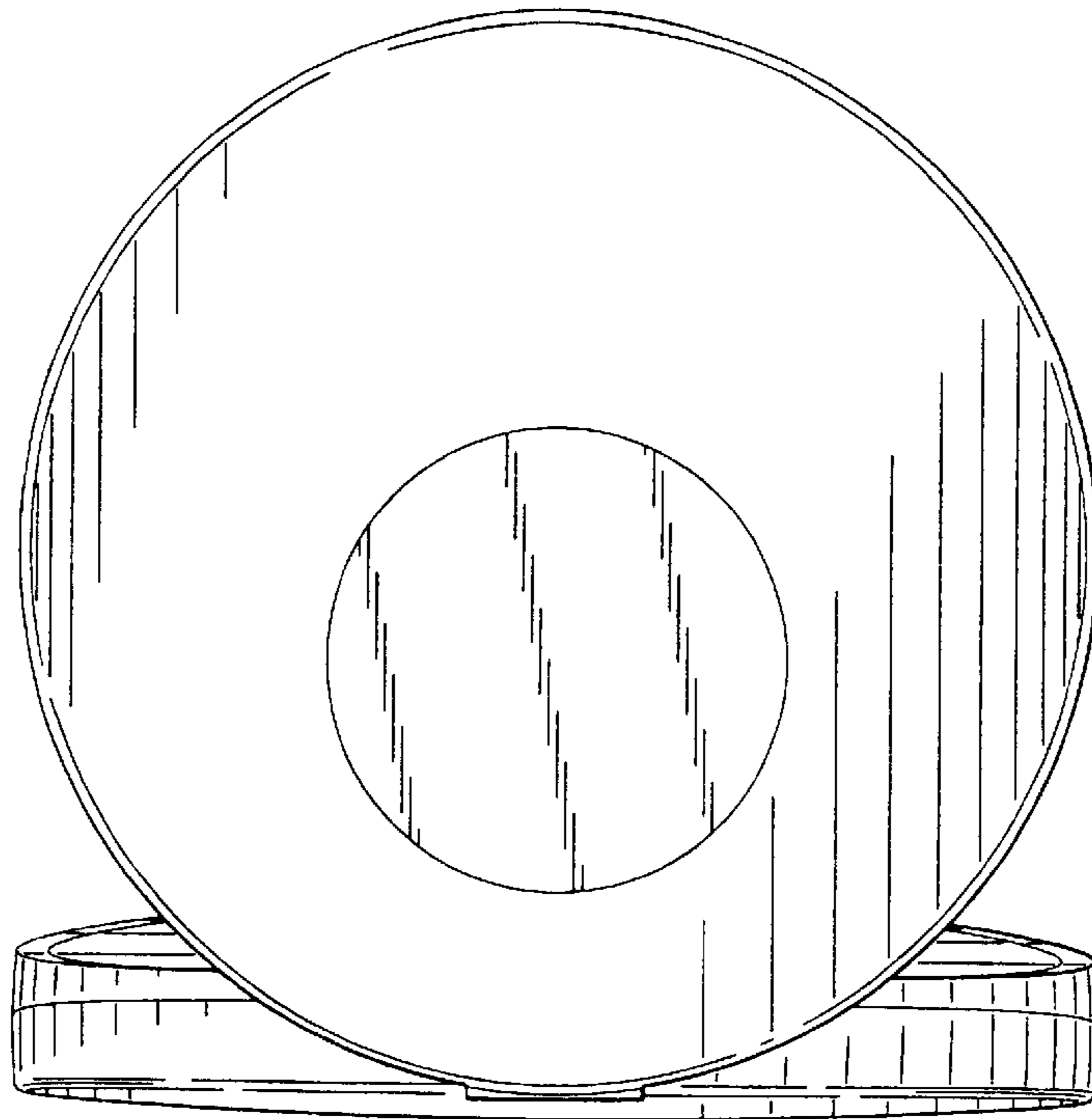


FIG. 5

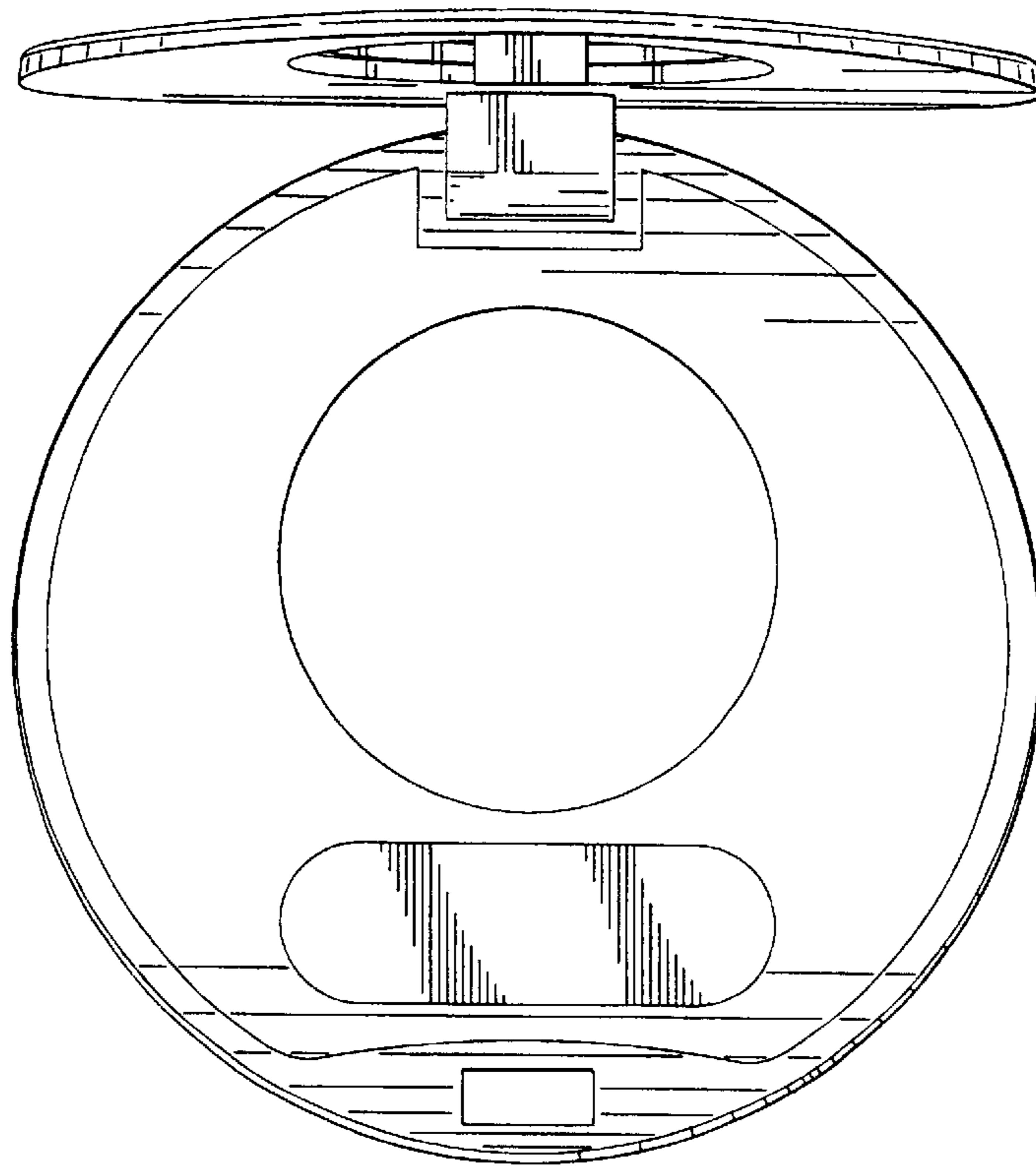


FIG. 6

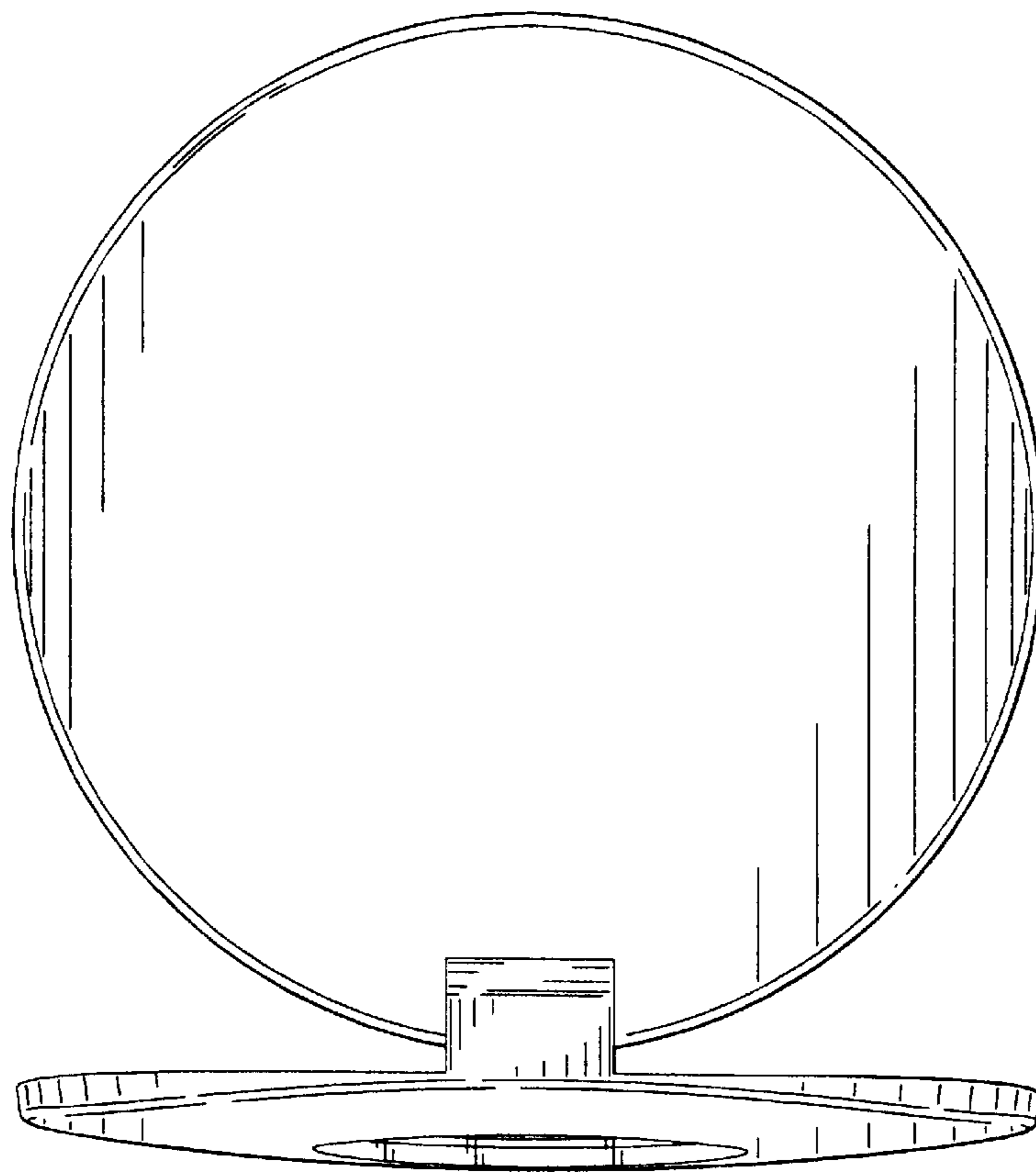


FIG. 7