



US00D530854S

(12) **United States Design Patent**
Xu

(10) **Patent No.:** **US D530,854 S**

(45) **Date of Patent:** **** Oct. 24, 2006**

(54) **GAS TANK LIGHTER**

(75) Inventor: **Wen Xu**, El Monte, CA (US)

(73) Assignee: **Zreative Products Inc.**, El Monte, CA (US)

(**) Term: **14 Years**

(21) Appl. No.: **29/252,018**

(22) Filed: **Jan. 19, 2006**

(51) **LOC (8) Cl.** **27-05**

(52) **U.S. Cl.** **D27/148**

(58) **Field of Classification Search** D27/139,
D27/141-161; 222/529; D23/211.2; 431/129,
431/143, 153, 253-256, 273-277
See application file for complete search history.

(56) **References Cited**

U.S. PATENT DOCUMENTS

3,084,872	A	*	4/1963	Corning	222/529
4,928,859	A	*	5/1990	Krahn et al.	222/529
D445,952	S	*	7/2001	Orlando	D27/148

OTHER PUBLICATIONS

Item B. Gasoline counter refill can, The legend of the lighter, Dec. 1995.*

* cited by examiner

Primary Examiner—Jennifer Rivard

(74) *Attorney, Agent, or Firm*—Raymond Y. Chan; David and Raymond Patent Group

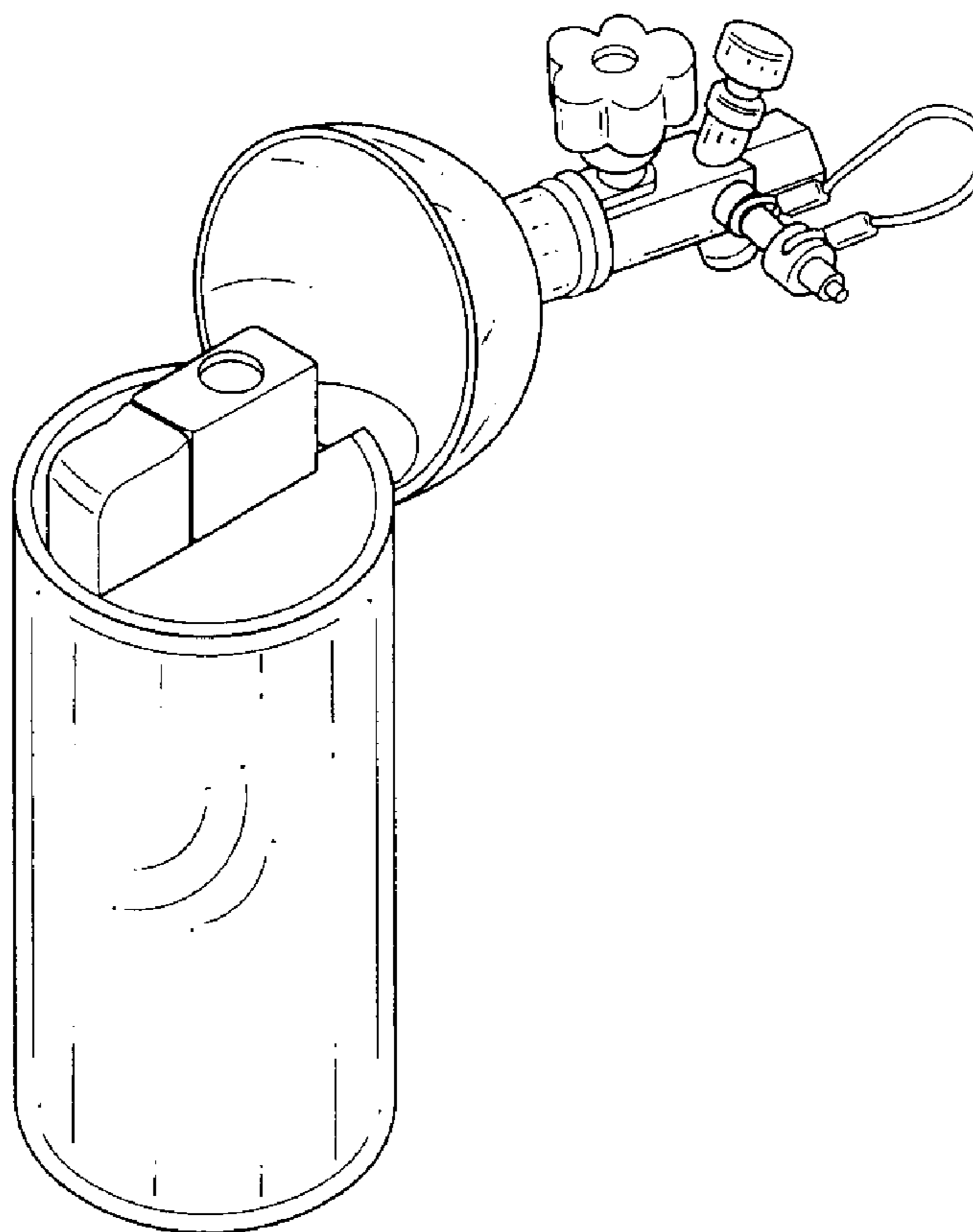
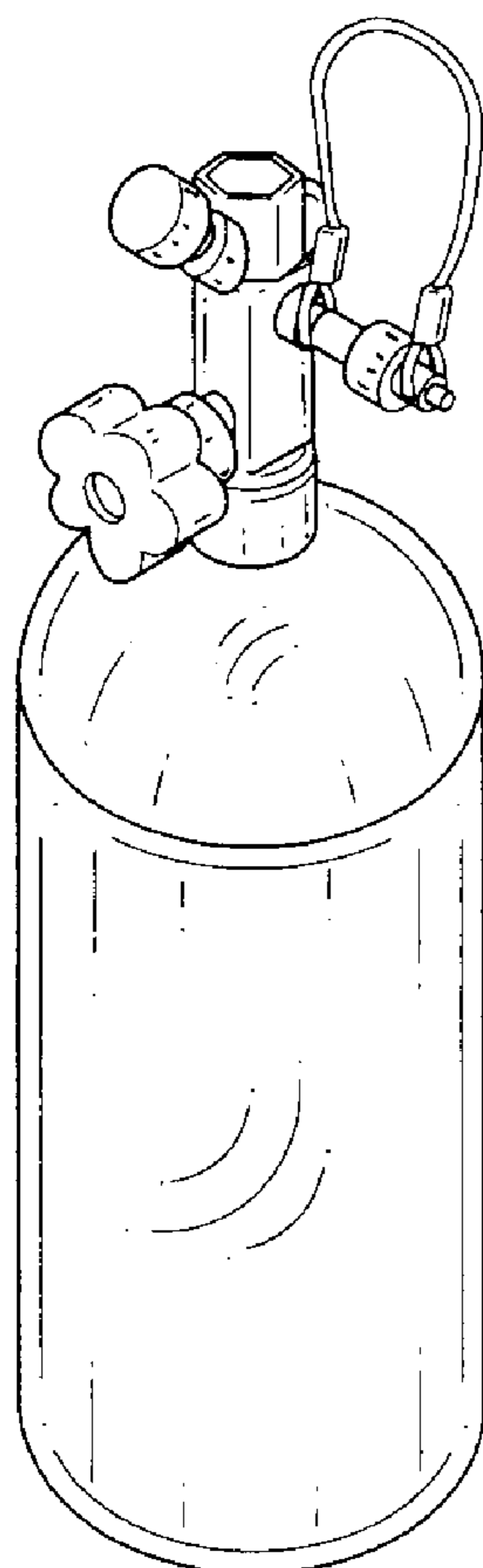
(57) **CLAIM**

The ornamental design for a gas tank lighter, as shown.

DESCRIPTION

FIG. 1 is a perspective view showing my new design.
FIG. 2 is a left view thereof.
FIG. 3 is a right view thereof.
FIG. 4 is a front end view thereof.
FIG. 5 is a rear end view thereof.
FIG. 6 is a top view thereof.
FIG. 7 is a bottom view thereof; and,
FIG. 8 is an open perspective view thereof.

1 Claim, 8 Drawing Sheets



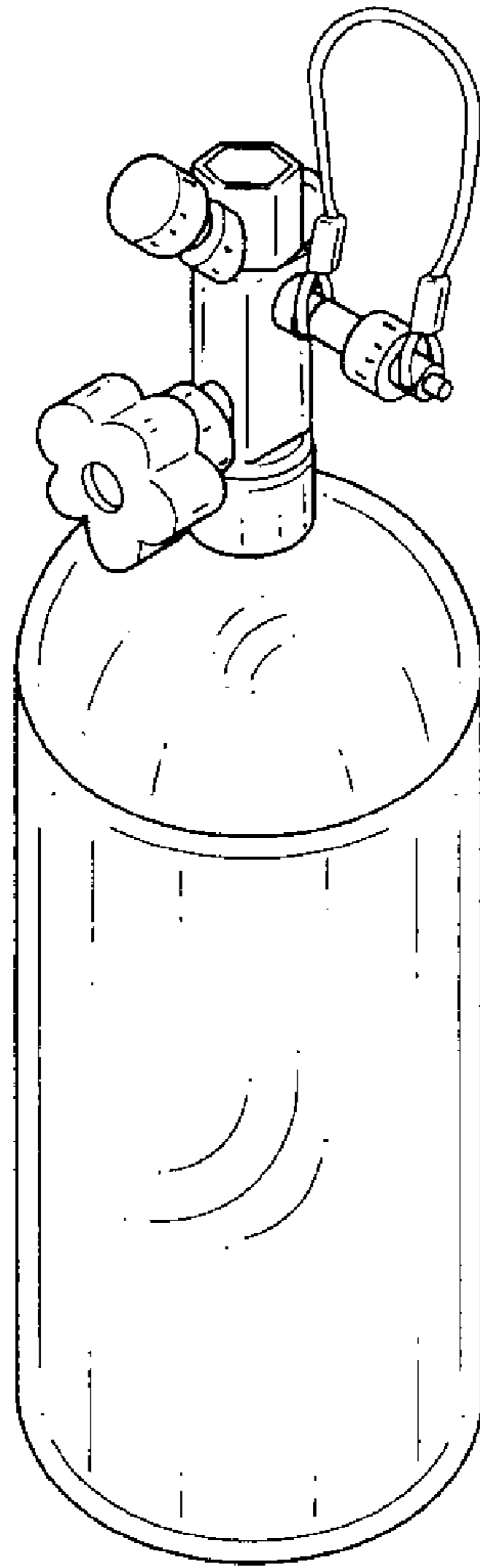


FIG. 1

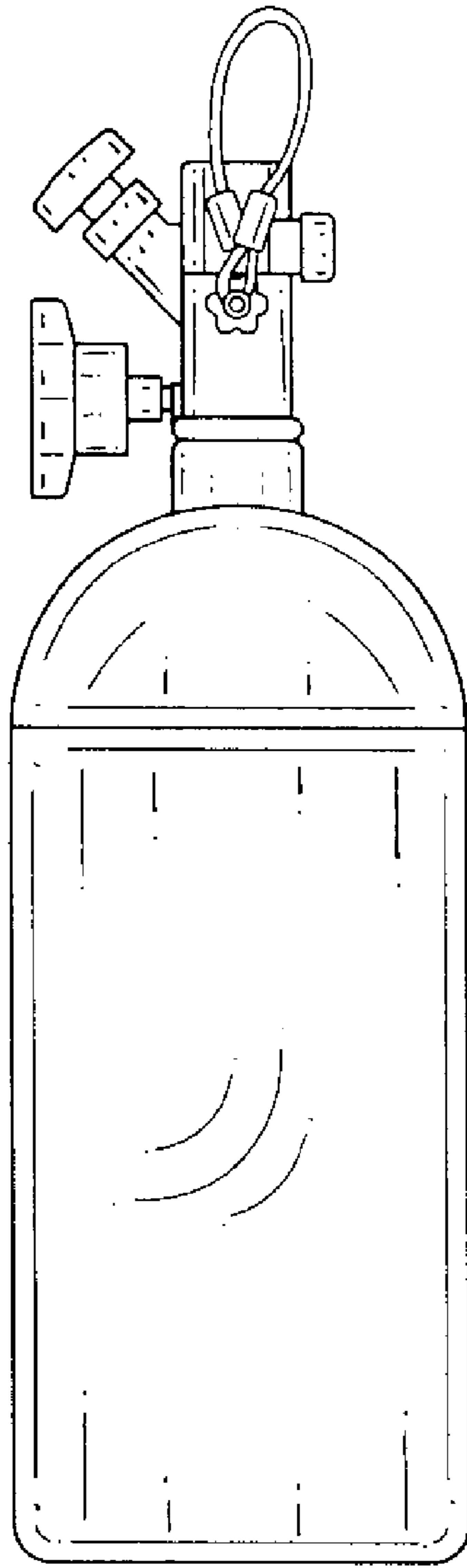


FIG. 2

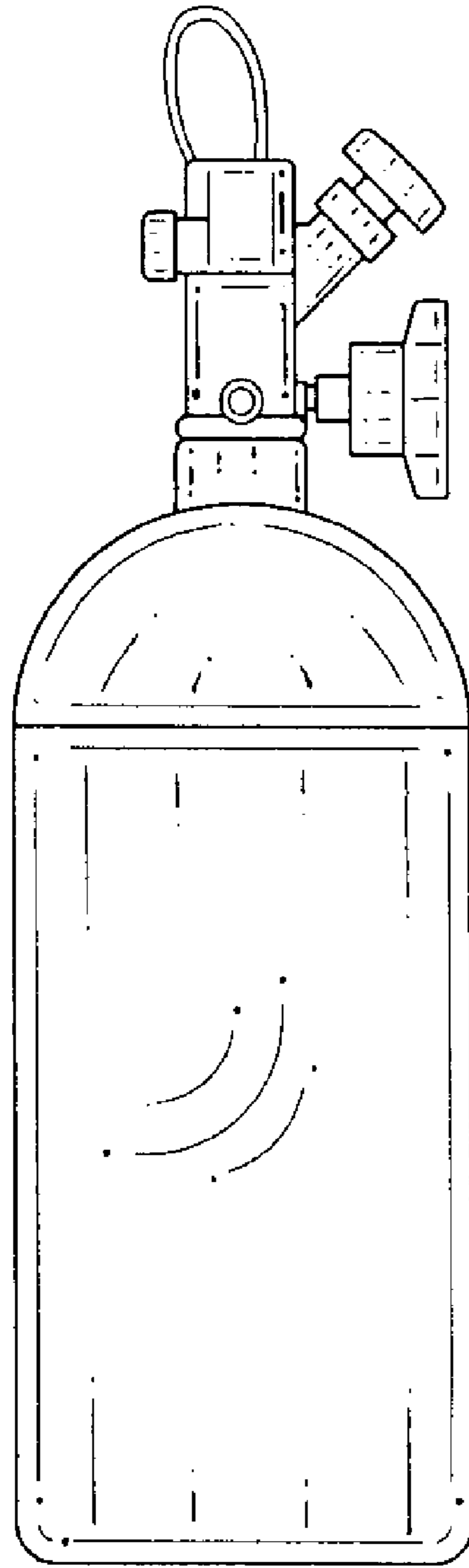


FIG. 3

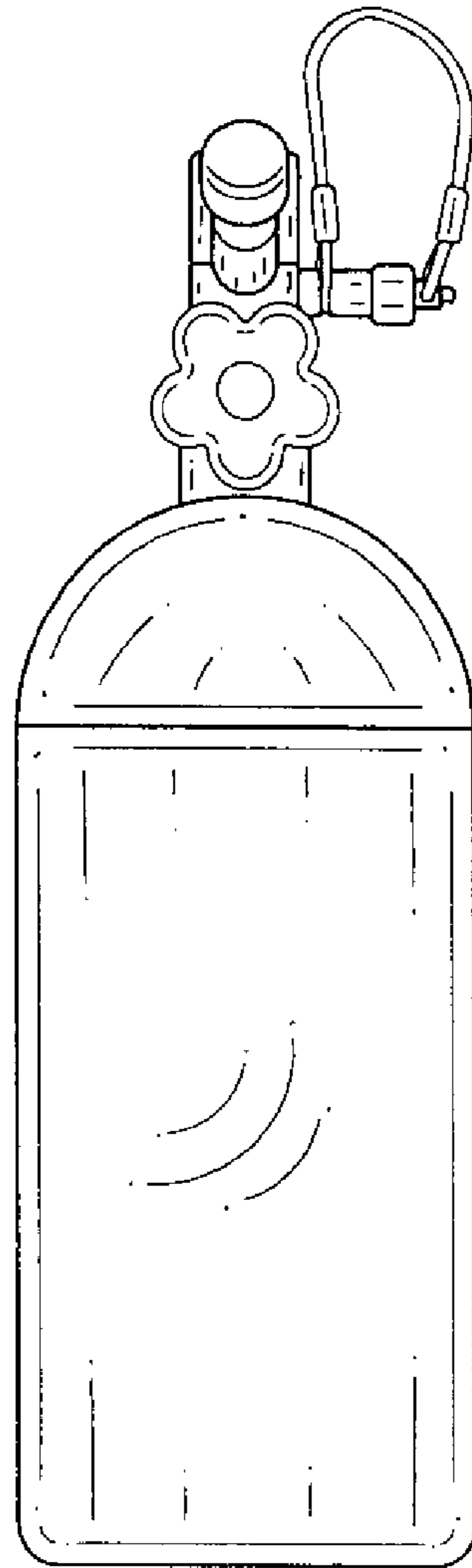


FIG. 4

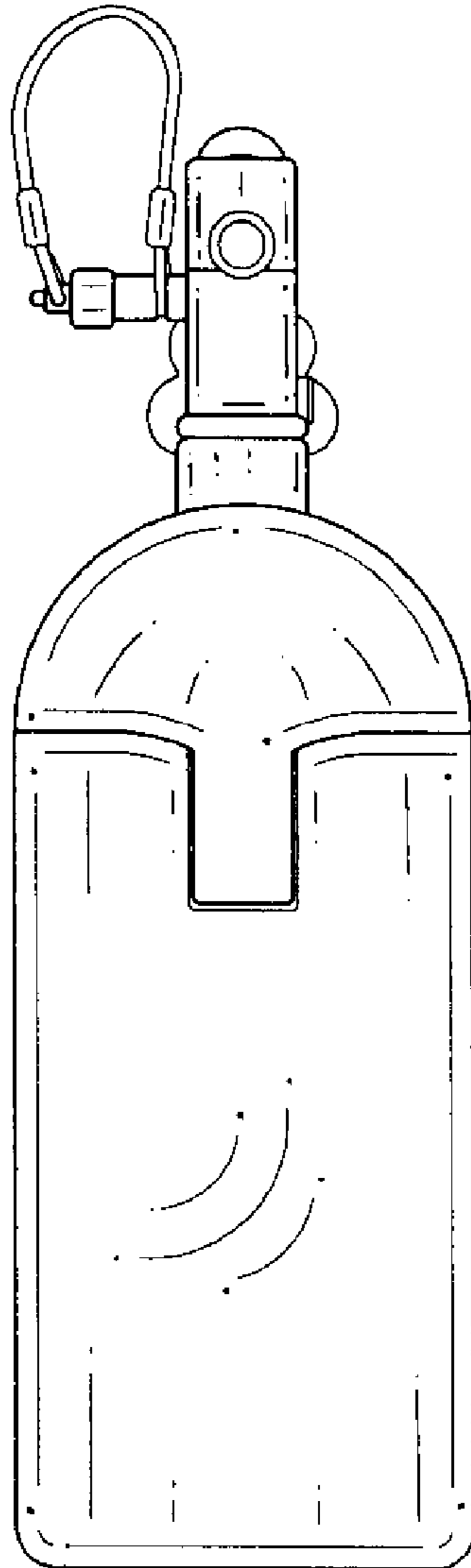


FIG. 5

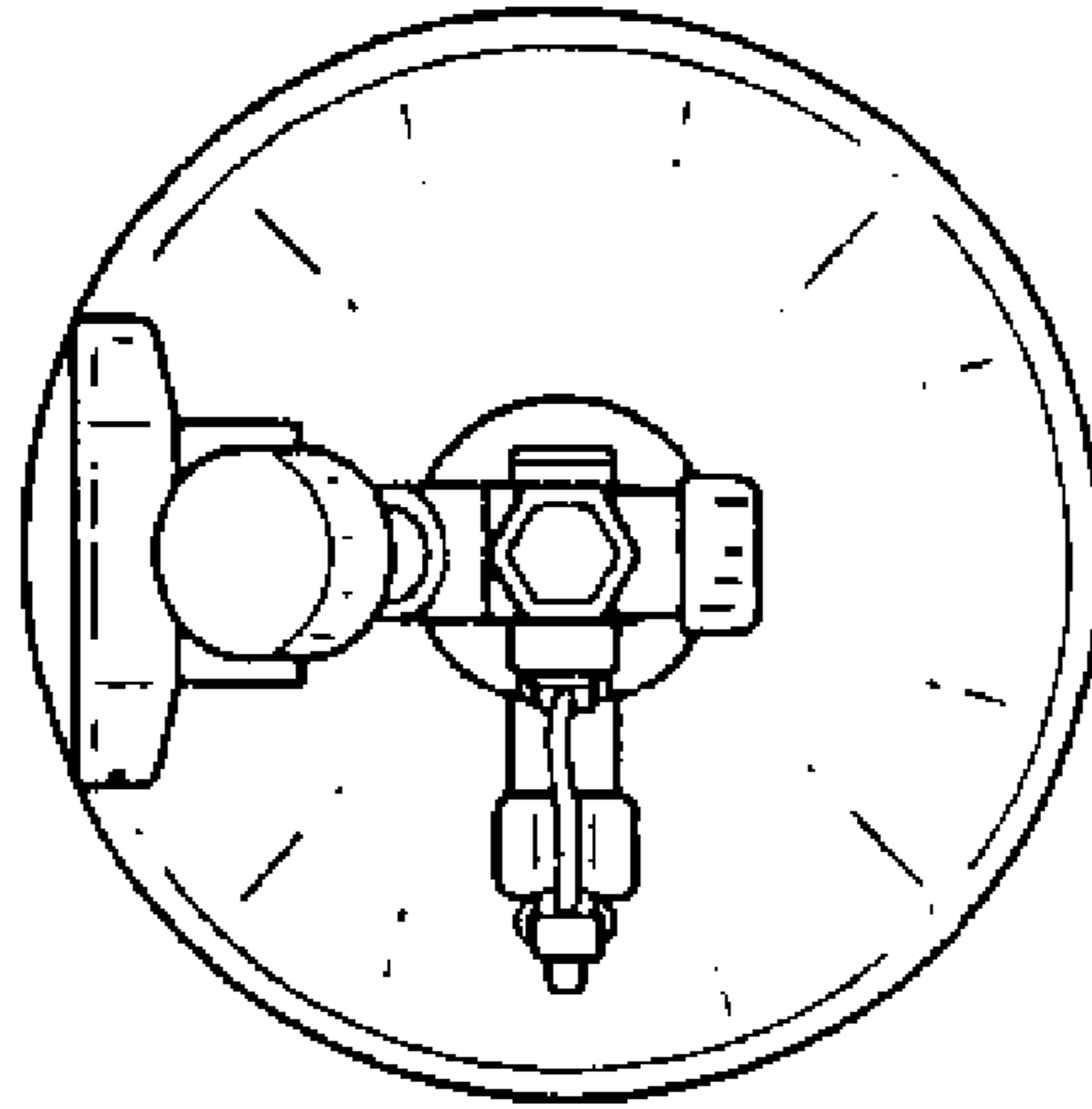


FIG. 6

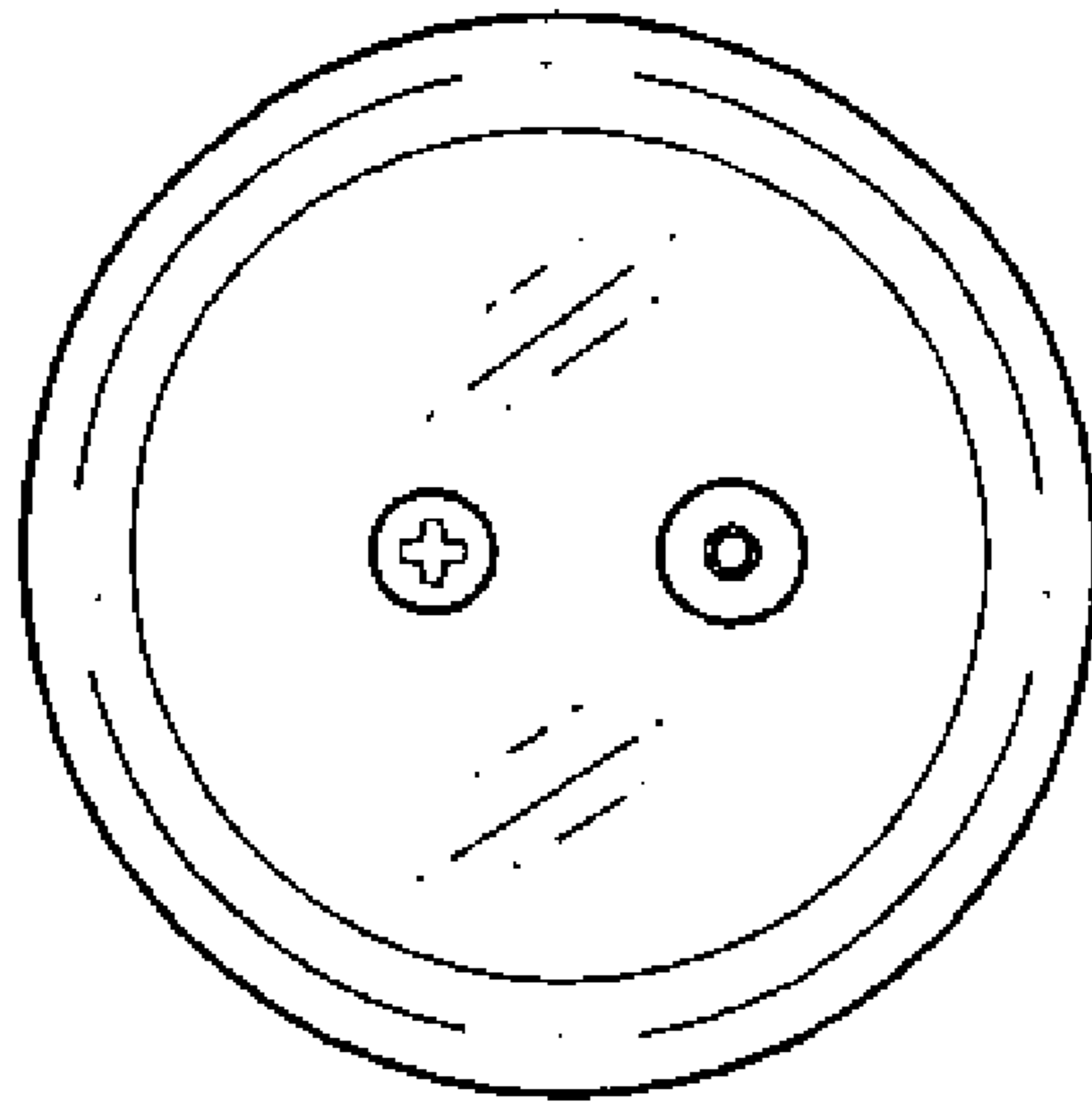


FIG. 7

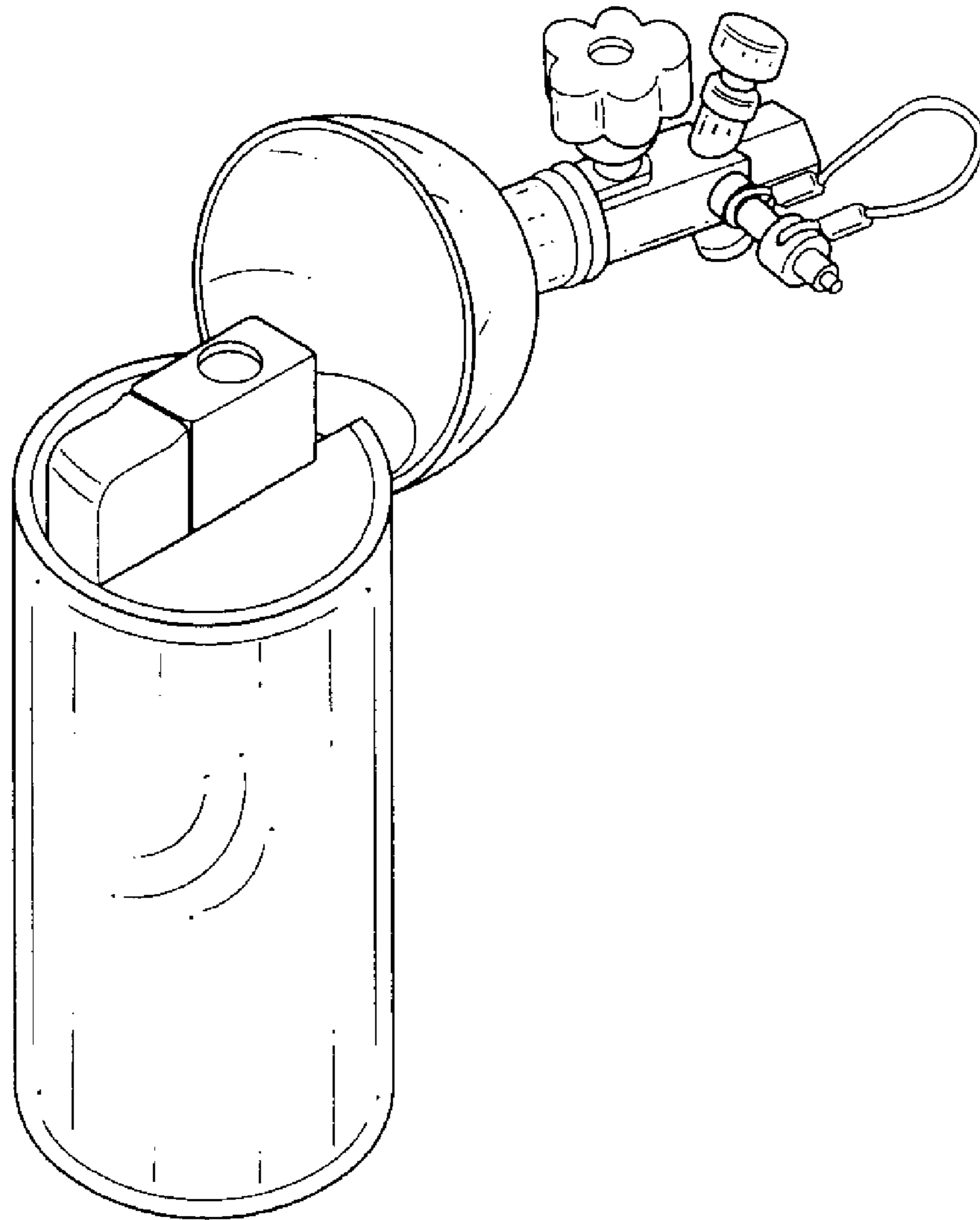


FIG. 8