



US00D530852S

(12) **United States Design Patent**
Zheng

(10) **Patent No.:** **US D530,852 S**

(45) **Date of Patent:** **** Oct. 24, 2006**

(54) **COFFEE MUG LIGHTER**

D497,080 S * 10/2004 Greenspon D7/510

(75) Inventor: **Ting Zheng**, Zhejian (CN)

OTHER PUBLICATIONS

(73) Assignee: **Zreative Product, Inc.**, El Monte, CA
(US)

Bottle lighter, The Legend of the Lighter.*

(**) Term: **14 Years**

* cited by examiner

(21) Appl. No.: **29/242,162**

Primary Examiner—Jennifer Rivard

(22) Filed: **Nov. 8, 2005**

(74) *Attorney, Agent, or Firm*—Raymond Y. Chan; David
and Raymond Patent Group

(51) **LOC (8) Cl.** **27-05**

(57) **CLAIM**

(52) **U.S. Cl.** **D27/148**; D7/510; D7/536

The ornamental design for a coffee mug lighter, as shown.

(58) **Field of Classification Search** D27/139,

D27/141–161; D7/509, 510, 511, 533, 535,

D7/536; 431/129, 143, 153, 253–256, 273–277

See application file for complete search history.

DESCRIPTION

FIG. 1 is a perspective view showing my new design.

FIG. 2 is a front view thereof.

FIG. 3 is a rear view thereof.

FIG. 4 is a right end view thereof.

FIG. 5 is a left view thereof.

FIG. 6 is a top view thereof; and,

FIG. 7 is a bottom view thereof.

(56) **References Cited**

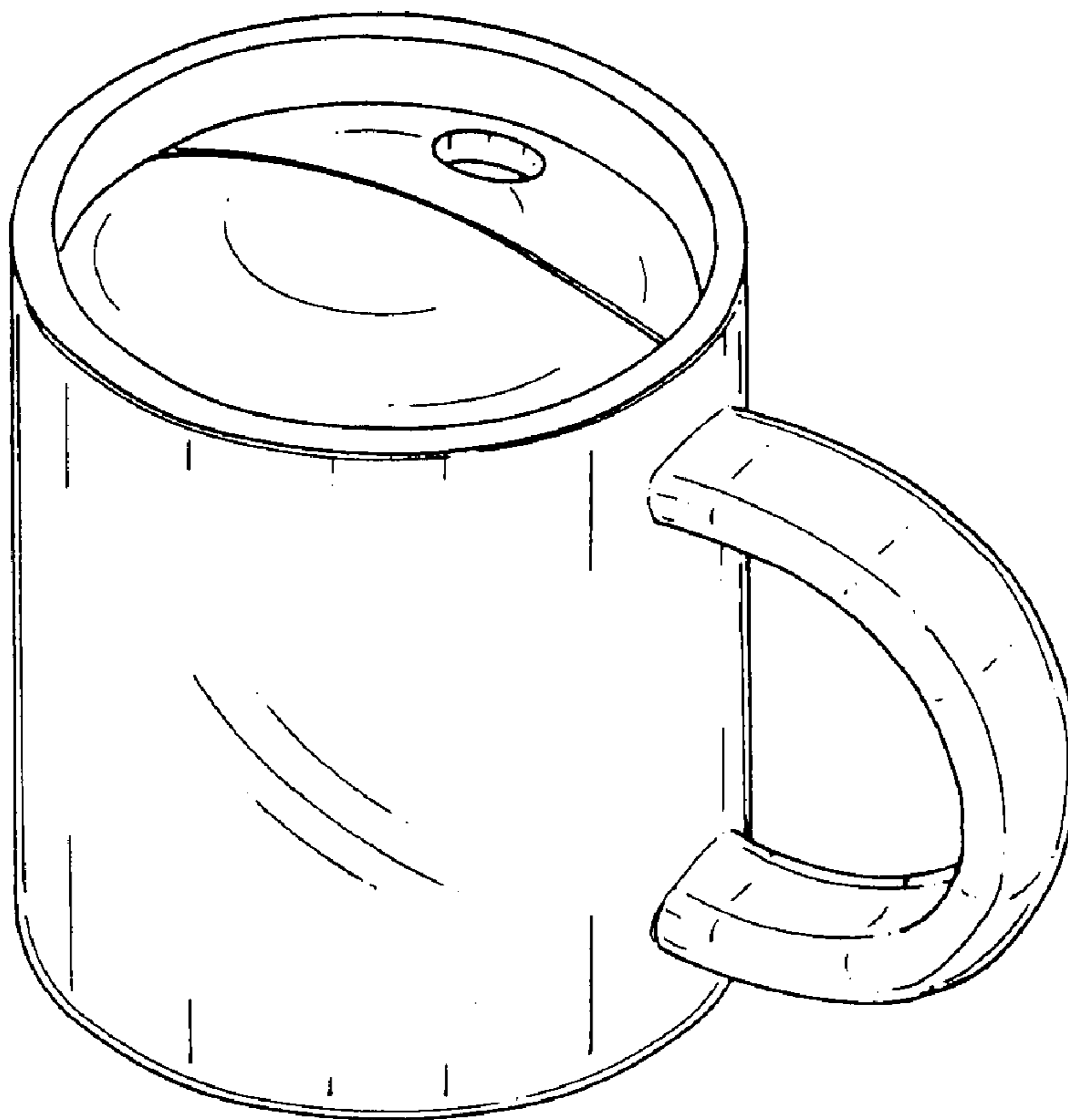
U.S. PATENT DOCUMENTS

D476,528 S * 7/2003 Janky et al. D7/536

D477,968 S * 8/2003 Bin D7/510

D482,239 S * 11/2003 Bodum D7/536

1 Claim, 7 Drawing Sheets



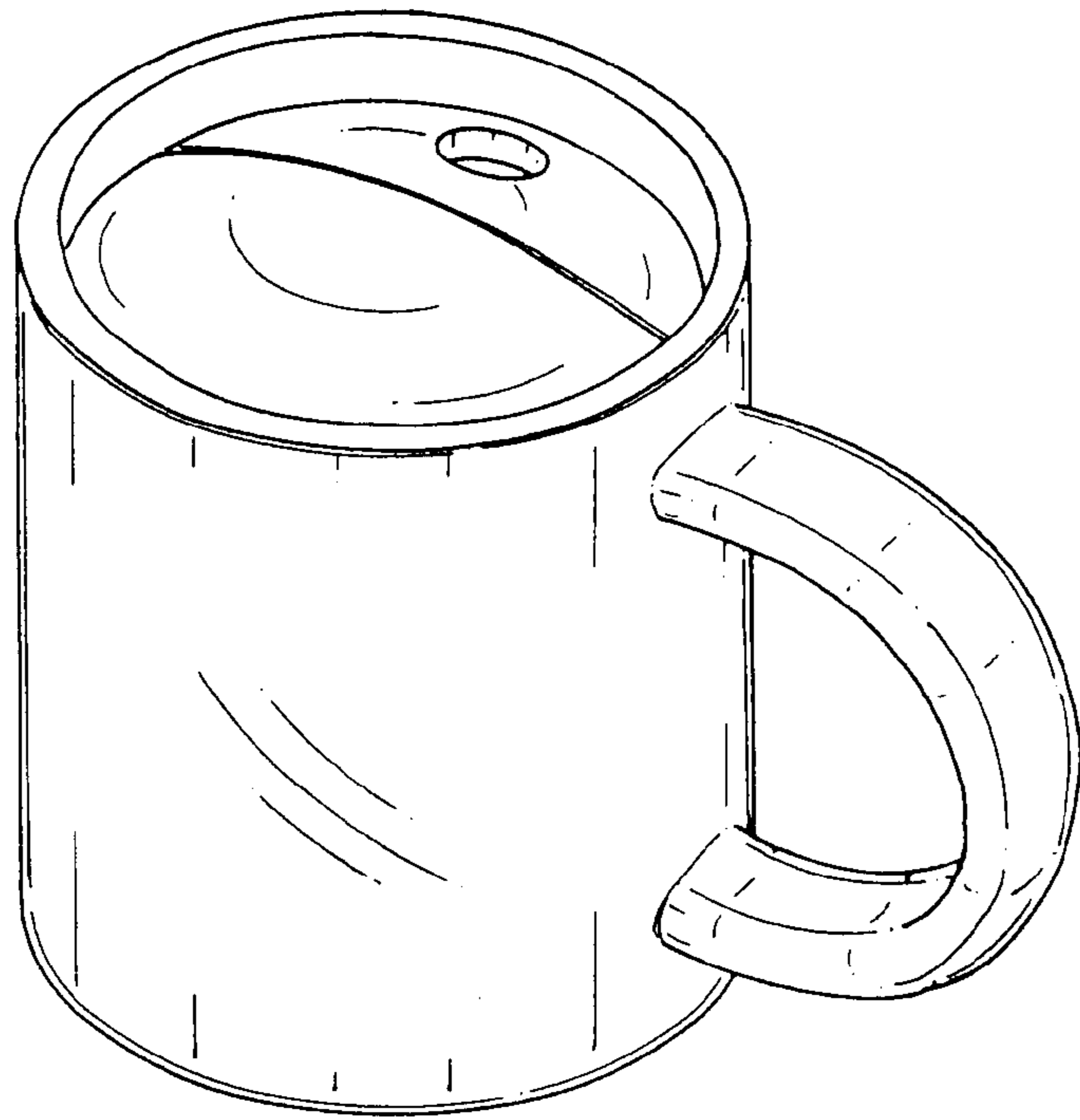


FIG. 1

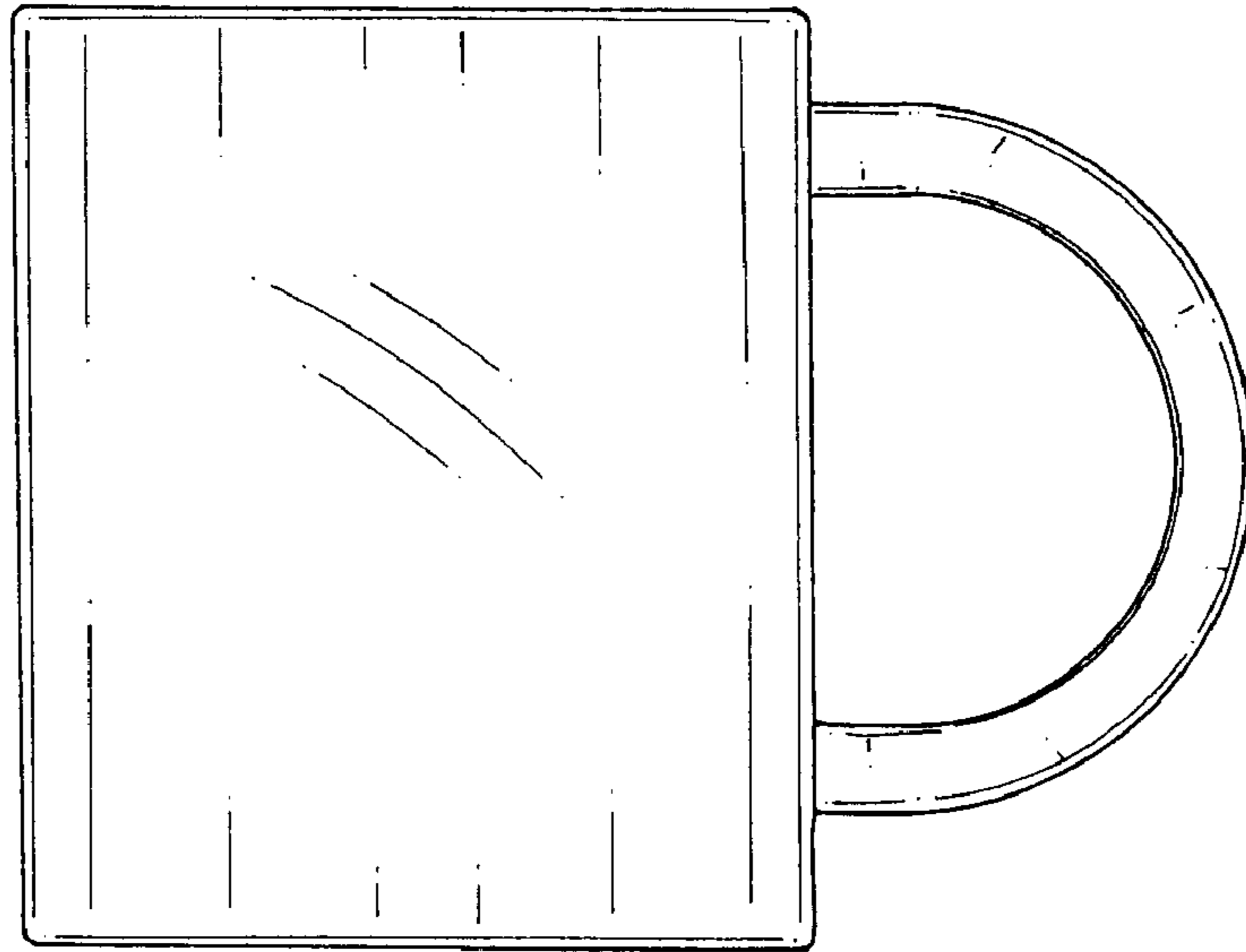


FIG. 2

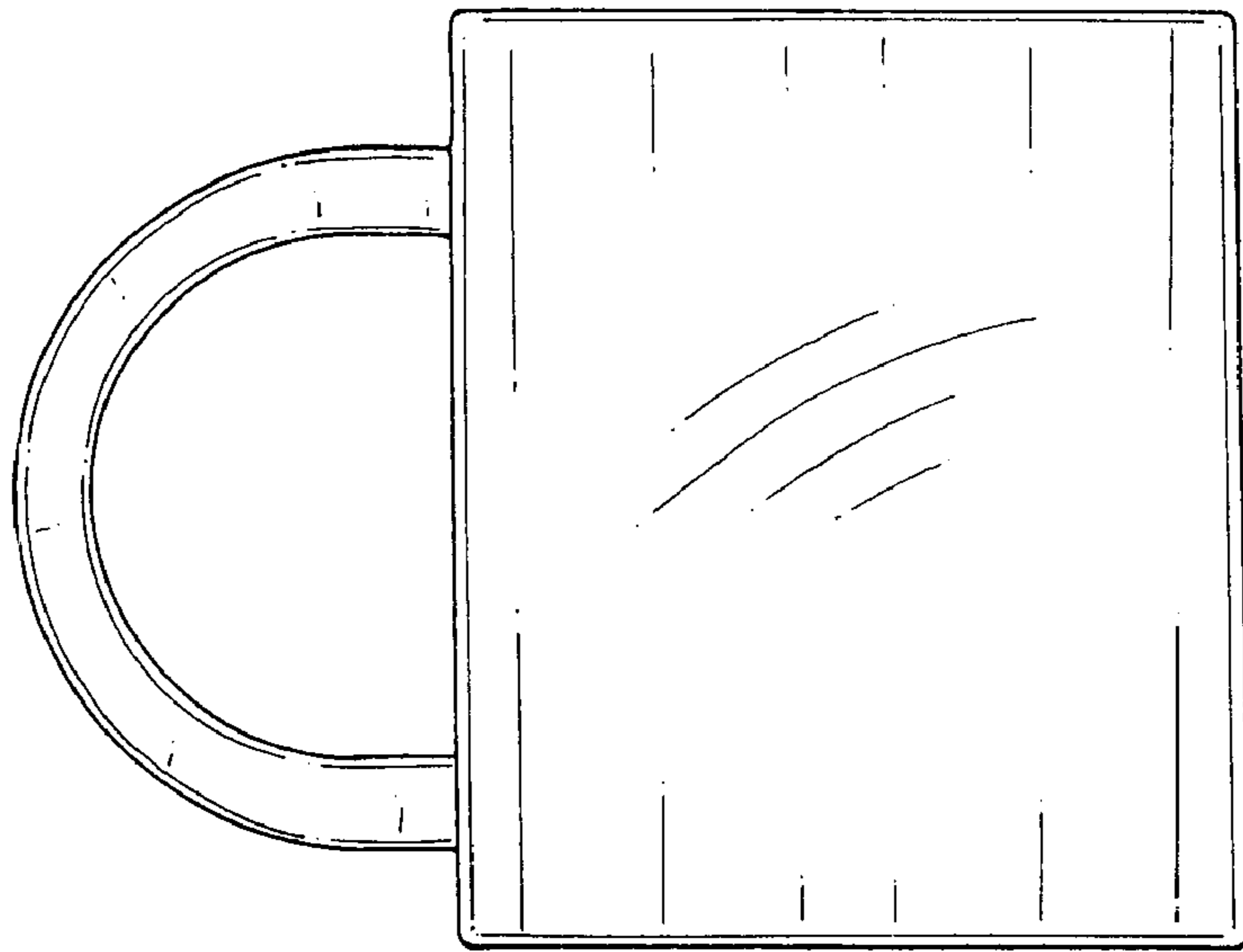


FIG. 3

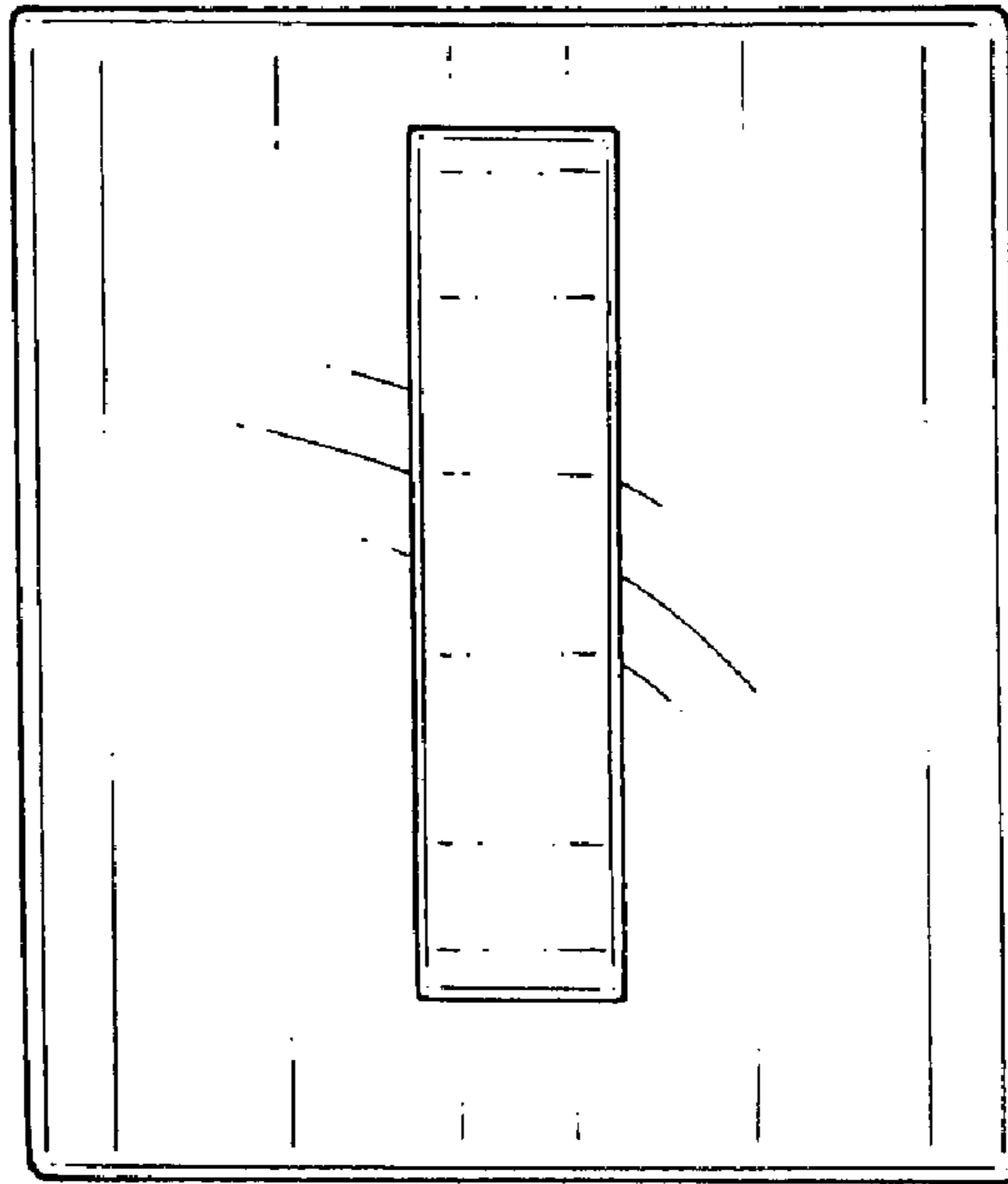


FIG. 4

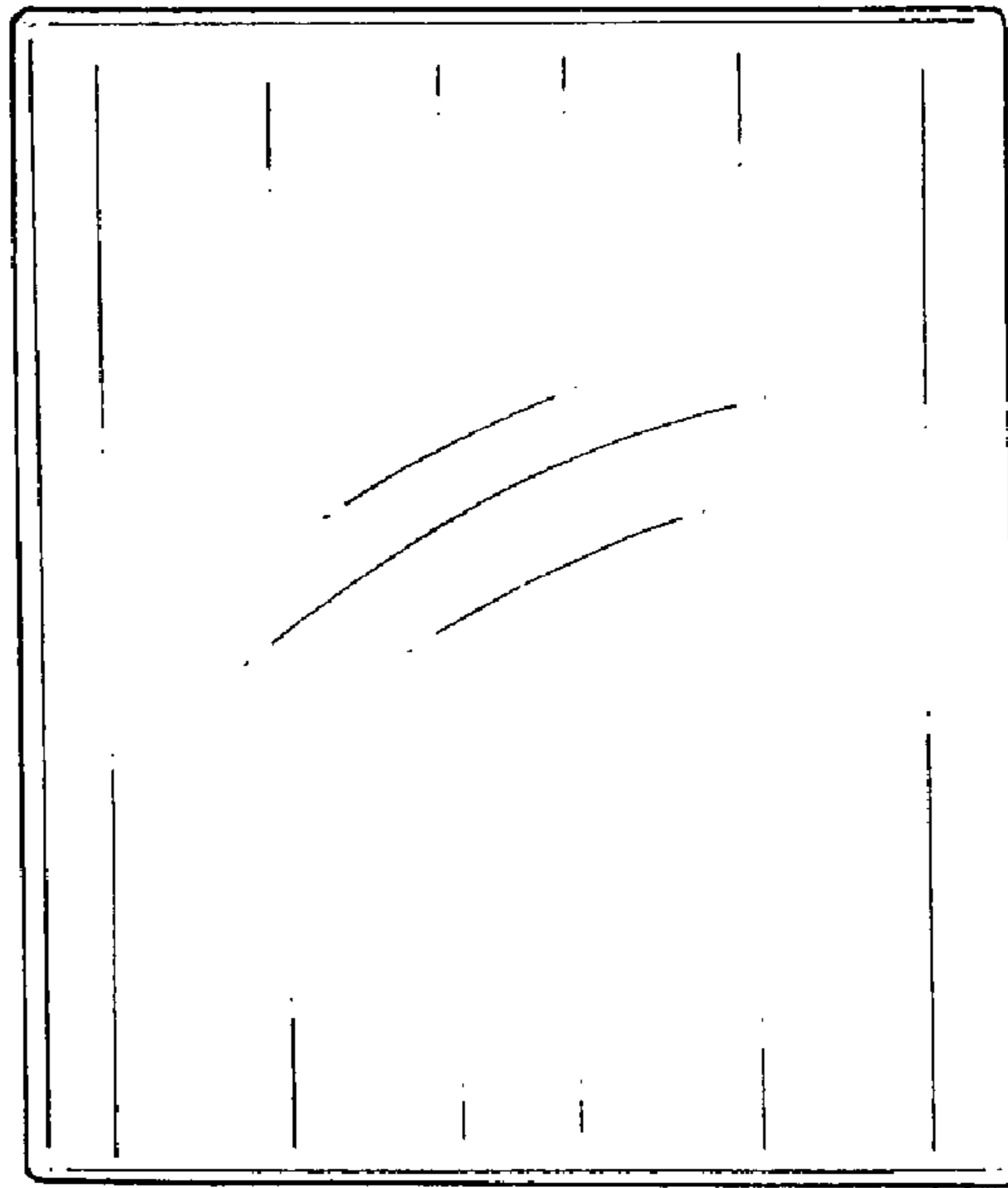


FIG. 5

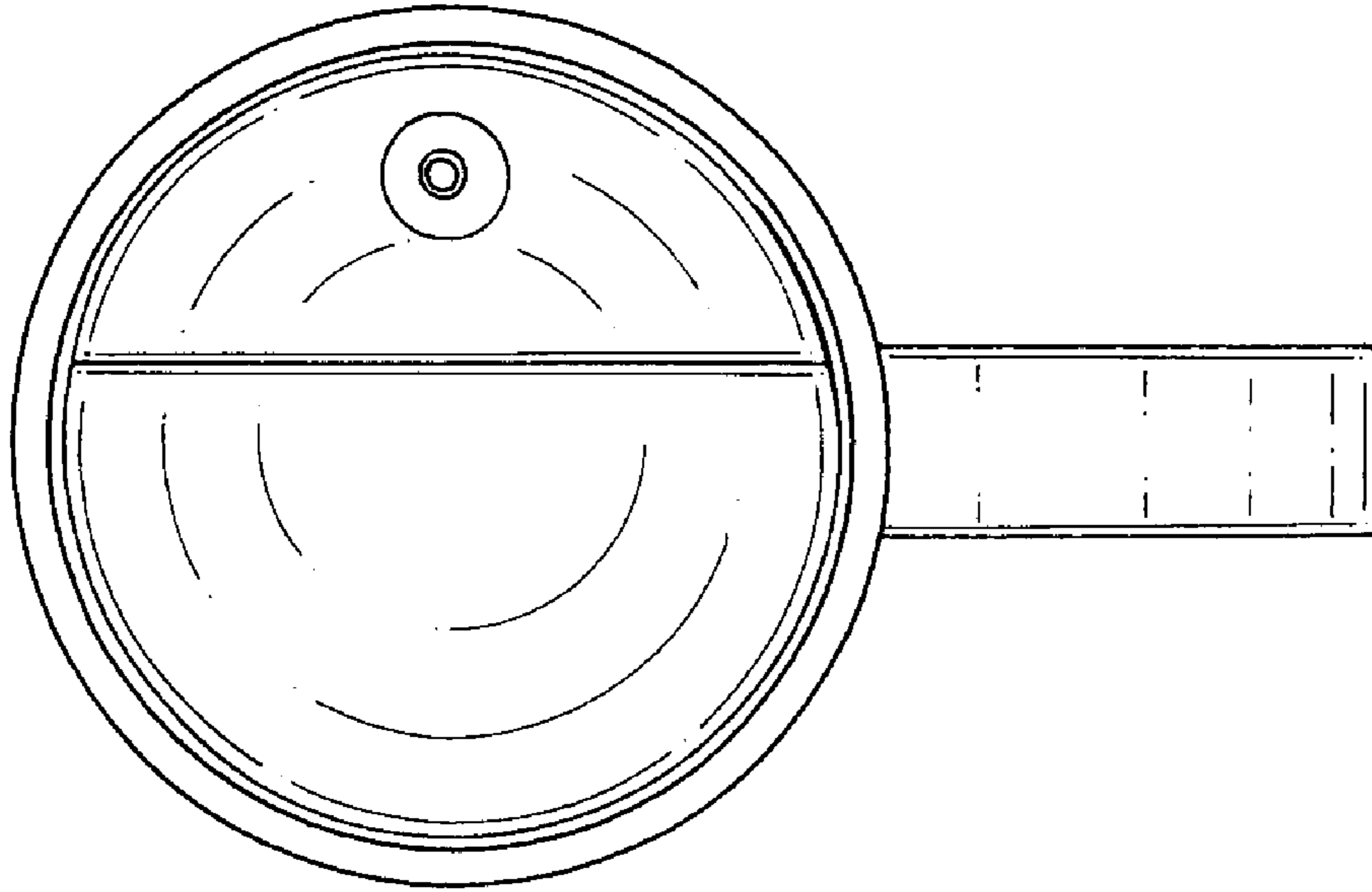


FIG. 6

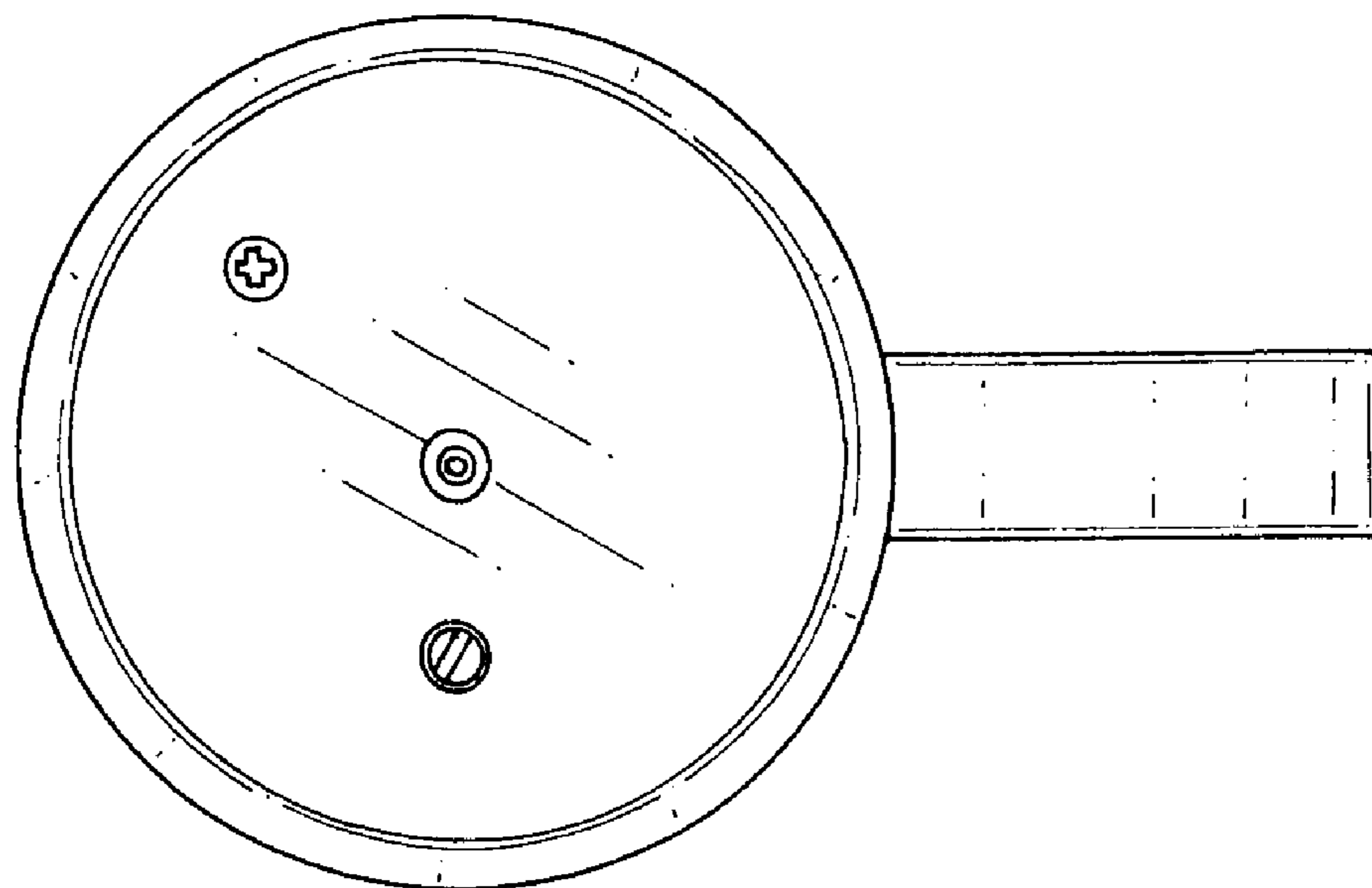


FIG. 7