

US00D530849S

(12) **United States Design Patent** (10) **Patent No.:** **US D530,849 S**
Flores (45) **Date of Patent:** **** Oct. 24, 2006**

(54) **LIGHT FIXTURE END CAP**

(75) Inventor: **Miguel Flores**, Riverside, CA (US)

(73) Assignee: **Minka Lighting, Inc.**, Corona, CA (US)

(**) Term: **14 Years**

(21) Appl. No.: **29/243,595**

(22) Filed: **Nov. 28, 2005**

(51) **LOC (8) Cl.** **26-99**

(52) **U.S. Cl.** **D26/154**

(58) **Field of Classification Search** D26/20,
D26/23, 81, 84, 138, 142-145, 152-156;
362/147, 404-406, 432, 806

See application file for complete search history.

(56) **References Cited**

U.S. PATENT DOCUMENTS

D27,511 S	*	8/1897	Chesson	D6/503
D62,661 S	*	7/1923	Aarons	D26/149
D66,366 S	*	1/1925	Haley	D26/154
D67,367 S	*	5/1925	Severus	D26/153
D69,211 S	*	1/1926	Di Silvestro	D26/153
D406,920 S	*	3/1999	Valero	D26/145

OTHER PUBLICATIONS

U.S. Appl. No. 29/243,585, Miguel Flores.
U.S. Appl. No. 29/243,575, Miguel Flores.
U.S. Appl. No. 29/243,591, Miguel Flores.

U.S. Appl. No. 29/243,576, Miguel Flores.

U.S. Appl. No. 29/243,589, Miguel Flores.

Minka-Lavery, 2005 catalog; Jan. 2005; pp. 31-32, 34;
Minka Lighting, Inc.; U.S.A.

* cited by examiner

Primary Examiner—Clare E Heflin

(74) *Attorney, Agent, or Firm*—Baker & McKenzie LLP

(57) **CLAIM**

The ornamental design for a light fixture end cap, as shown and described.

DESCRIPTION

FIG. 1 is a perspective view from below of a light fixture end cap in accordance with my design;

FIG. 2 is a bottom plan view of the light fixture end cap in accordance with my design; and,

FIG. 3 is a side elevation view of the light fixture end cap in accordance with my design, the opposite side being a mirror image of that shown.

The broken lines showing environmental structure are for illustrative purposes and form no part of the claimed invention.

1 Claim, 3 Drawing Sheets

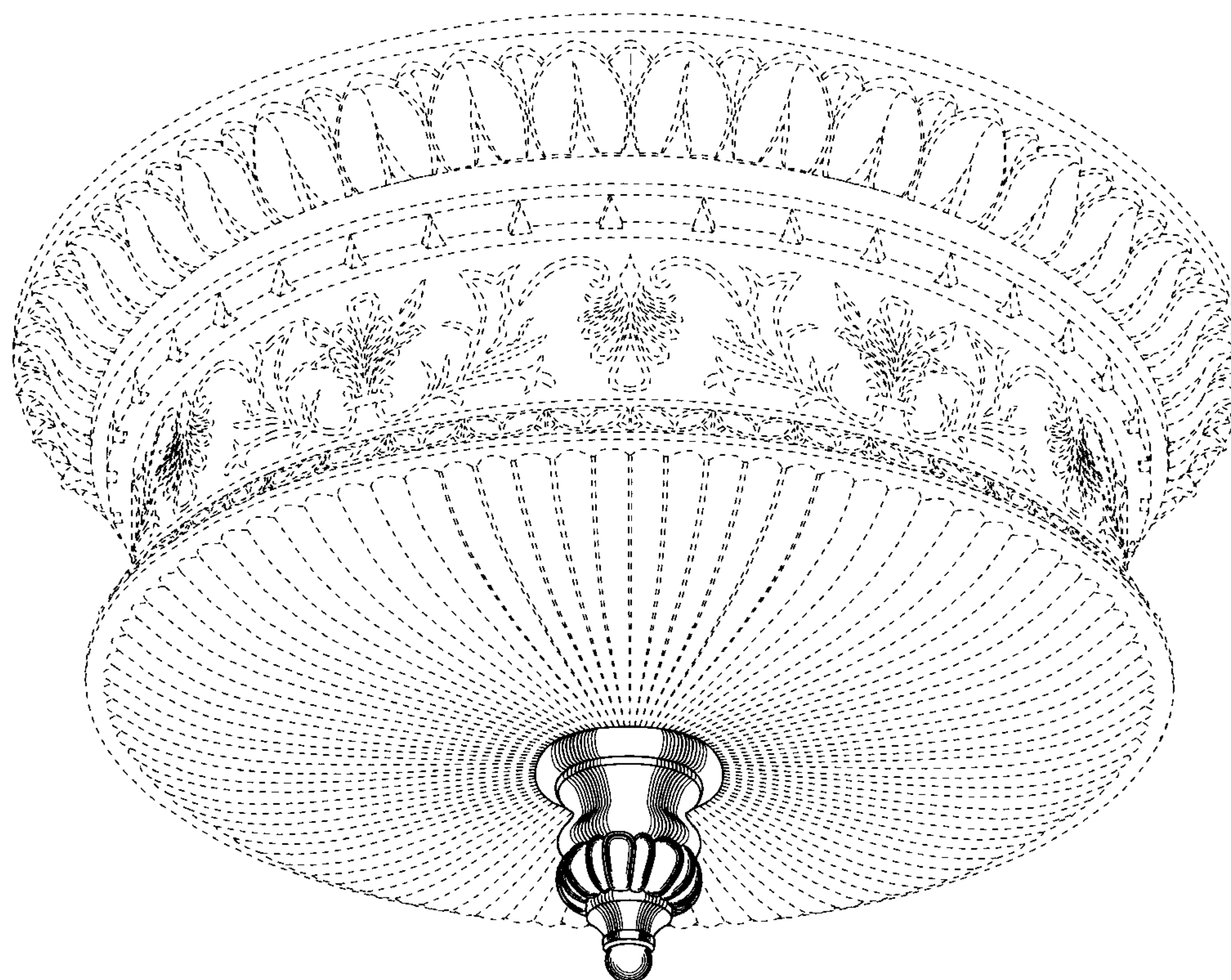
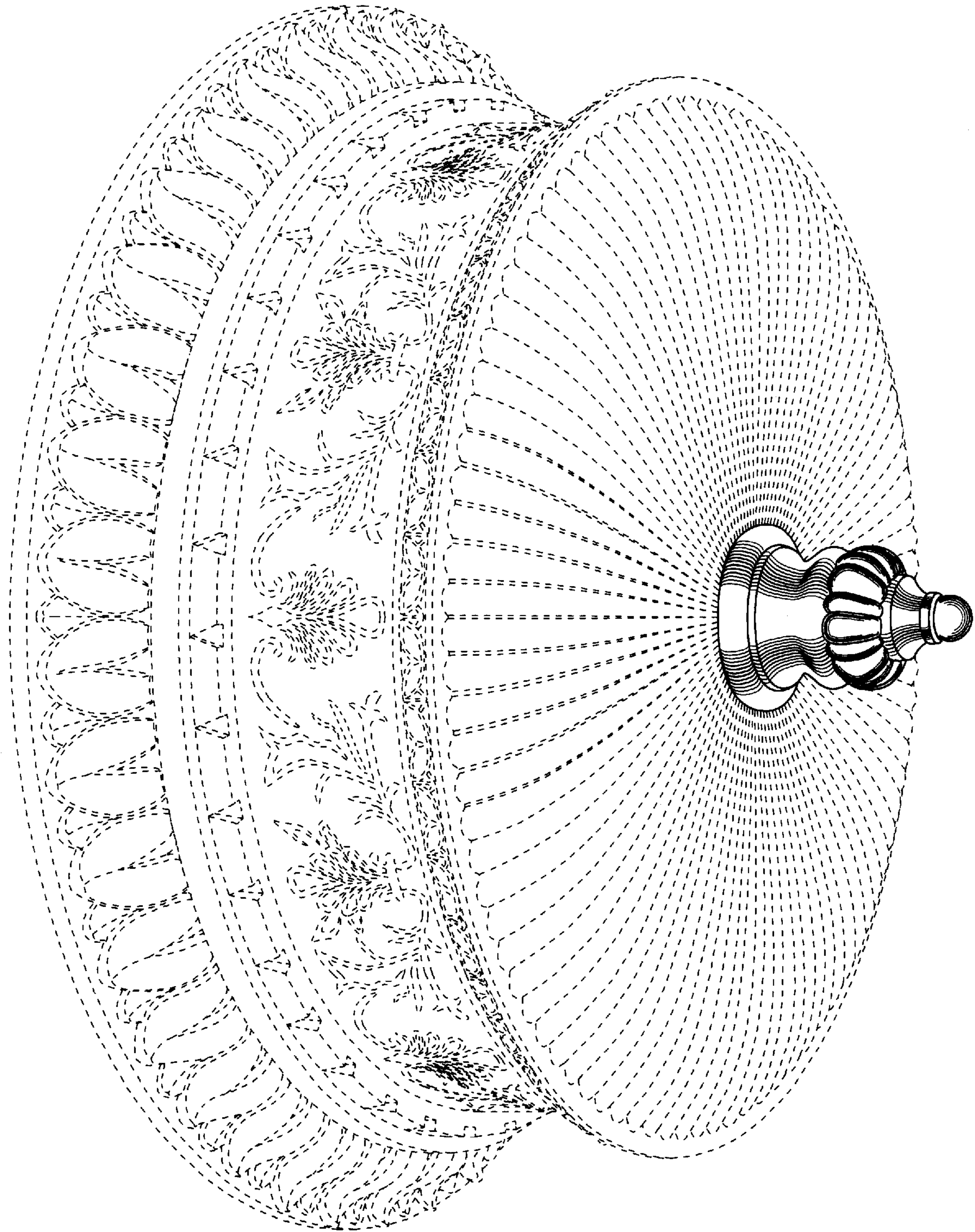


Fig. 1



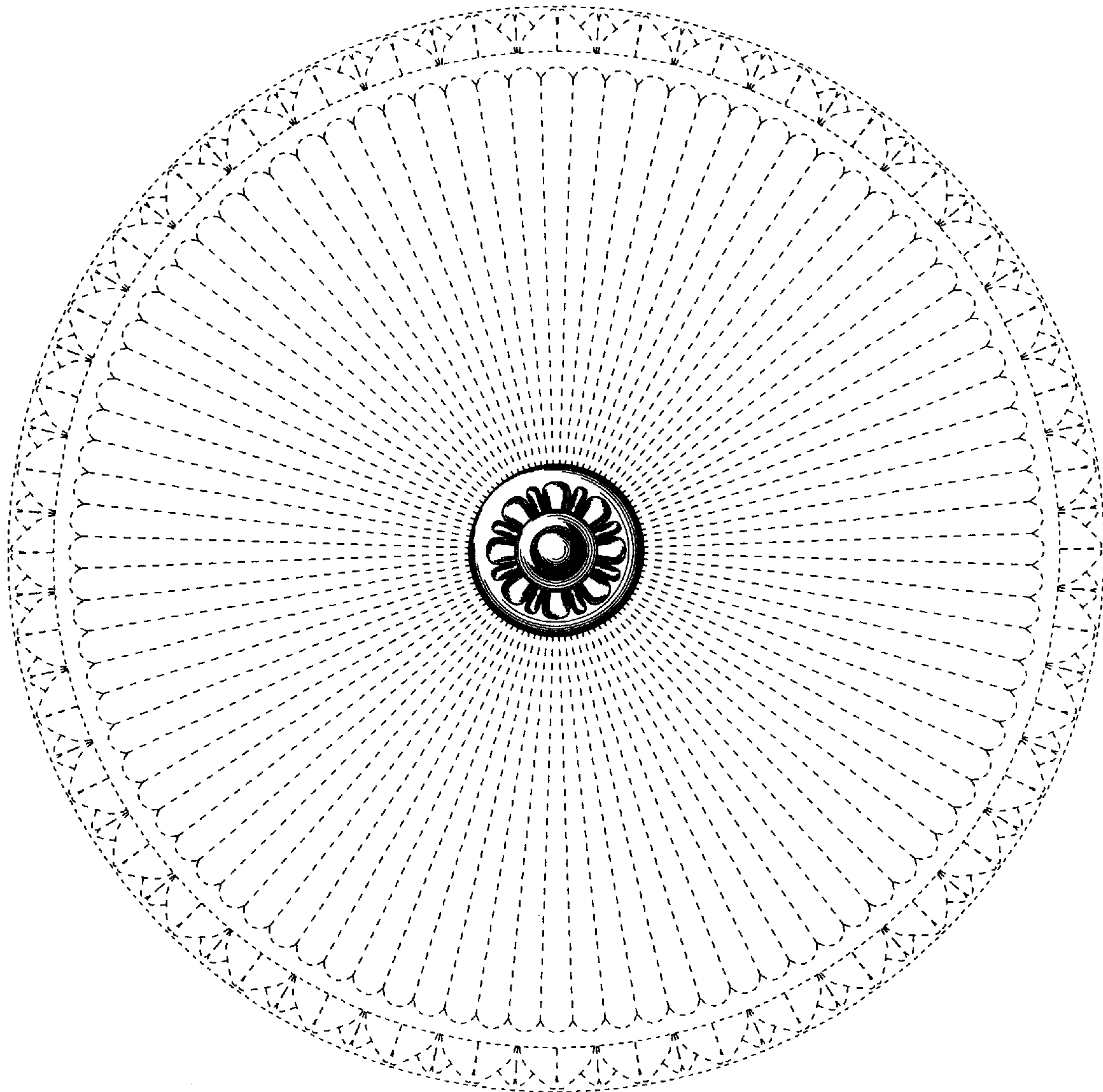


Fig.2

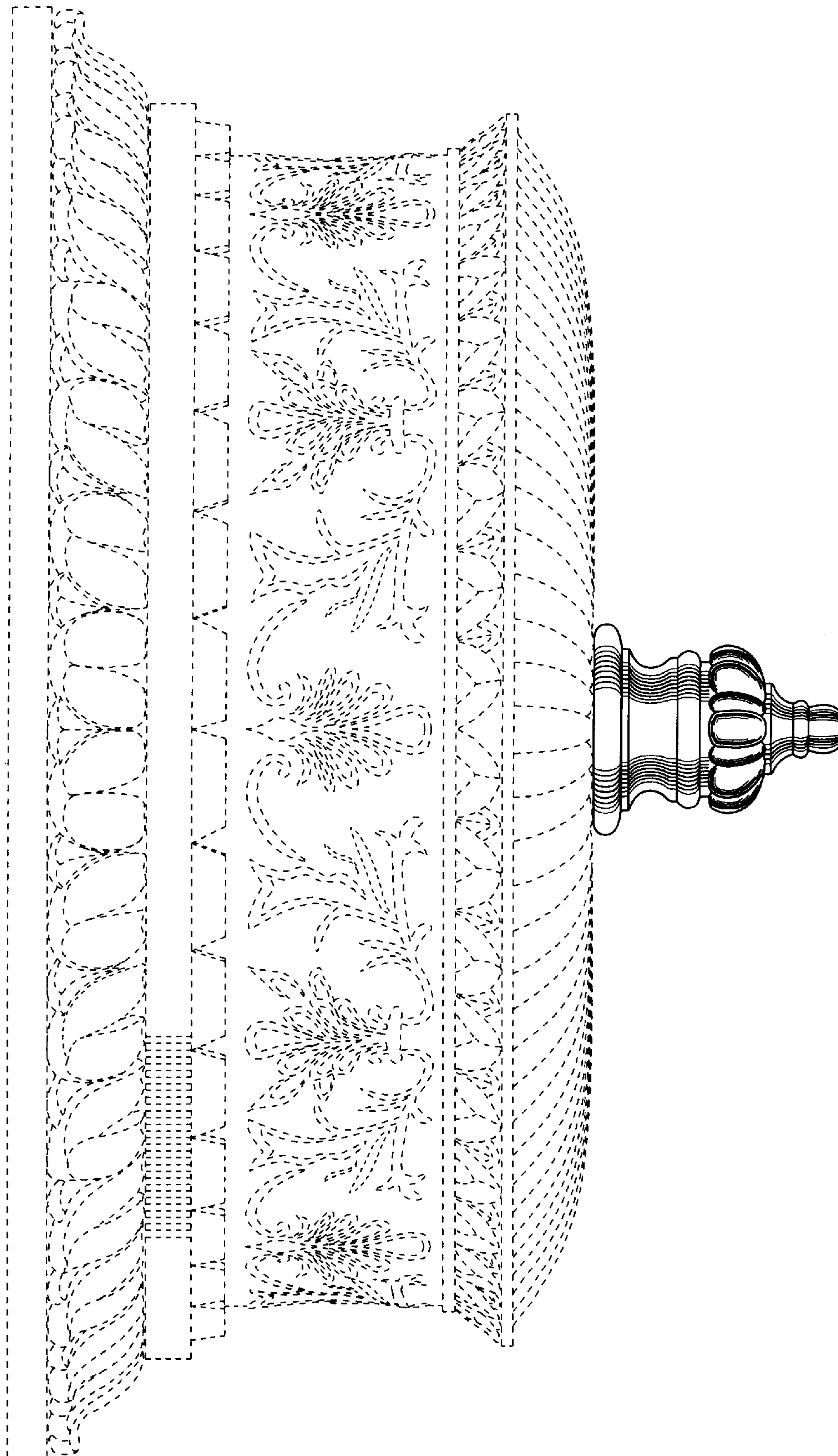


Fig.3

UNITED STATES PATENT AND TRADEMARK OFFICE
CERTIFICATE OF CORRECTION

PATENT NO. : Des. 530,849 S
APPLICATION NO. : 29/243595
DATED : October 24, 2006
INVENTOR(S) : Miguel Flores

Page 1 of 4

It is certified that error appears in the above-identified patent and that said Letters Patent is hereby corrected as shown below:

The title page should be deleted and substitute therefore the attached title page.

Drawings:

Delete drawings sheet 1 and 3 and substitute therefor Figures 1 and 3 as shown on the attached pages.

Signed and Sealed this

Third Day of July, 2007

A handwritten signature in black ink on a dotted background. The signature reads "Jon W. Dudas" in a cursive style.

JON W. DUDAS

Director of the United States Patent and Trademark Office

(12) **United States Design Patent** (10) Patent No.: **US D530,849 S**
 Flores (45) Date of Patent: **** Oct. 24, 2006**

(54) **LIGHT FIXTURE END CAP**

(75) Inventor: Miguel Flores, Riverside, CA (US)

(73) Assignee: Minka Lighting, Inc., Corona, CA (US)

(**) Term: 14 Years

(21) Appl. No.: 29/243,595

(22) Filed: Nov. 28, 2005

(51) LOC (8) Cl. 26-99

(52) U.S. Cl. D26/154

(58) Field of Classification Search D26/20,
 D26/23, 81, 84, 138, 142-145, 152-156;
 362/147, 404-406, 432, 806

See application file for complete search history.

(56) **References Cited**

U.S. PATENT DOCUMENTS

D27,511 S	*	8/1897	Chesson	D6/503
D62,661 S	*	7/1923	Aarons	D26/149
D66,366 S	*	1/1925	Haley	D26/154
D67,367 S	*	5/1925	Severus	D26/153
D69,311 S	*	1/1926	Di Silvestro	D26/153
D406,920 S	*	3/1999	Valero	D26/145

OTHER PUBLICATIONS

U.S. Appl. No. 29/243,585, Miguel Flores.

U.S. Appl. No. 29/243,575, Miguel Flores.

U.S. Appl. No. 29/243,591, Miguel Flores.

U.S. Appl. No. 29/243,576, Miguel Flores.

U.S. Appl. No. 29/243,589, Miguel Flores.

Minka-Lavery, 2005 catalog; Jan. 2005; pp. 31-32, 34; Minka Lighting, Inc.; U.S.A.

* cited by examiner

Primary Examiner—Clare B Hoffin

(14) Attorney, Agent, or Firm—Baker & McKenzie LLP

(57) **CLAIM**

The ornamental design for a light fixture end cap, as shown and described.

DESCRIPTION

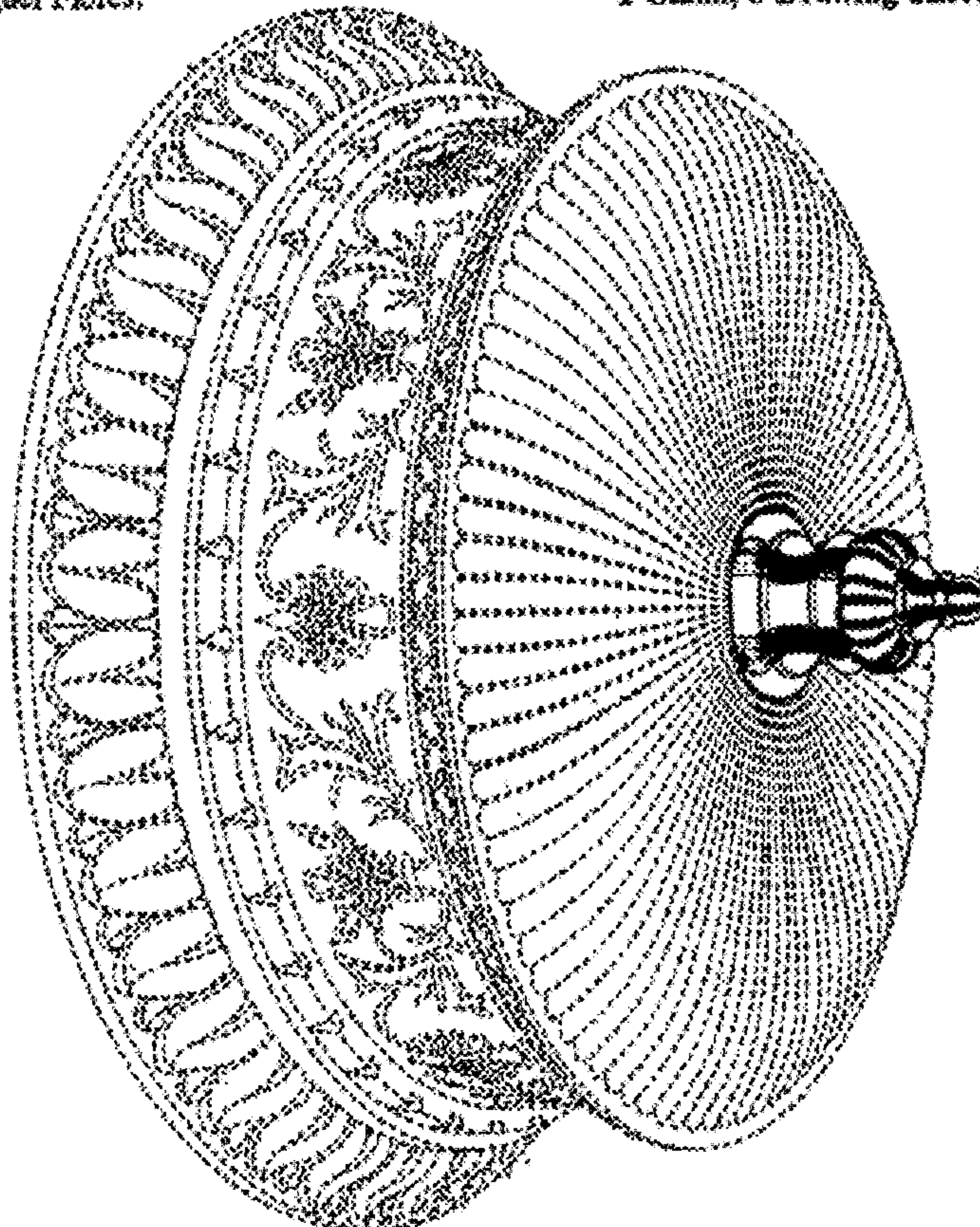
FIG. 1 is a perspective view from below of a light fixture end cap in accordance with my design;

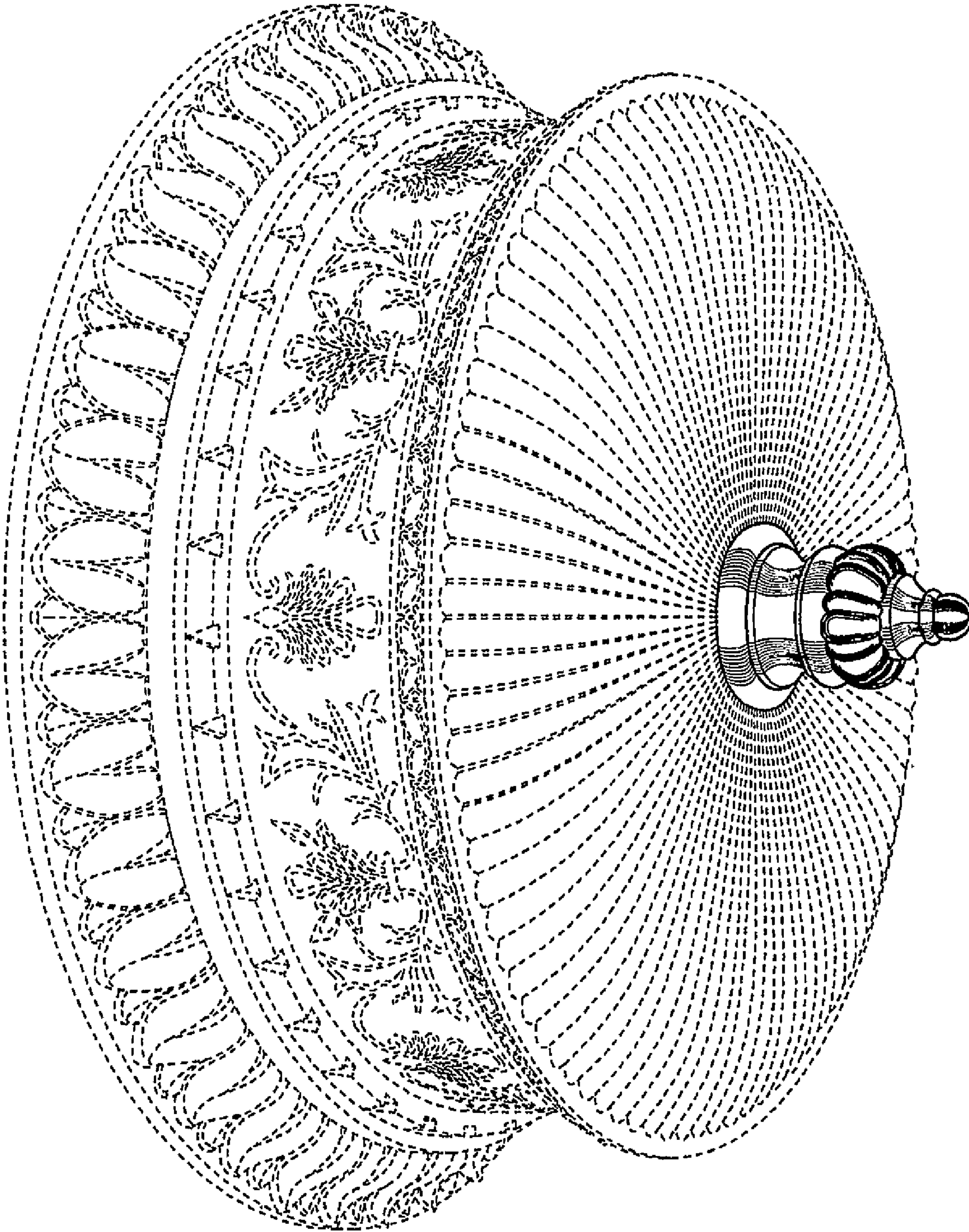
FIG. 2 is a bottom plan view of the light fixture end cap in accordance with my design; and,

FIG. 3 is a side elevation view of the light fixture end cap in accordance with my design, the opposite side being a mirror image of that shown.

The broken lines showing environmental structure are for illustrative purposes and form no part of the claimed invention.

1 Claim, 3 Drawing Sheets





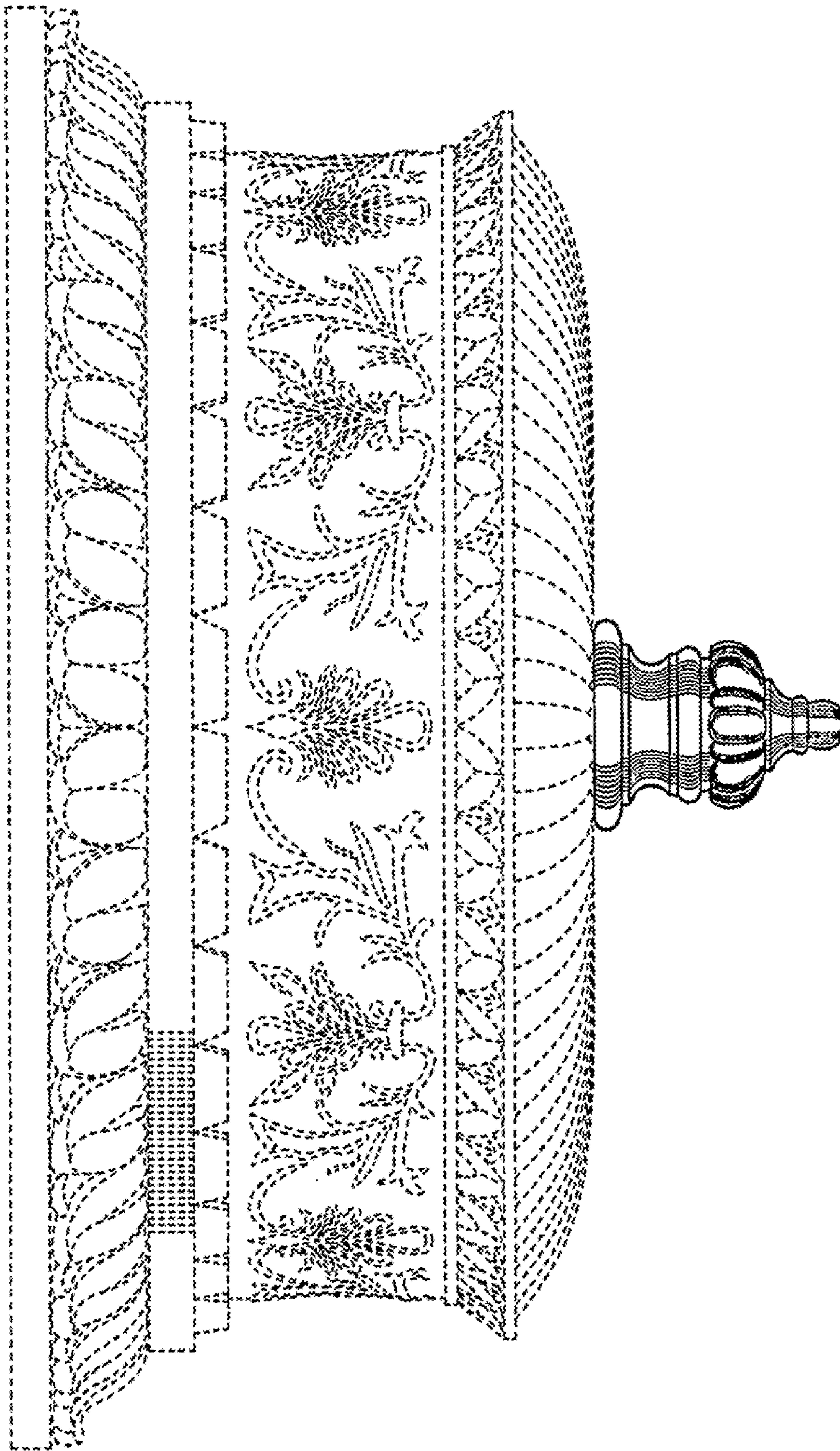


Fig. 3