

US00D530843S

(12) **United States Design Patent**
Yamamoto

(10) **Patent No.:** **US D530,843 S**

(45) **Date of Patent:** **** Oct. 24, 2006**

(54) **PORTABLE FLUORESCENT LAMP**

D393,915 S * 4/1998 Yuen D26/42

D441,888 S 5/2001 Haneda et al.

(75) Inventor: **Yuji Yamamoto**, Anjo (JP)

D504,968 S * 5/2005 Bayat et al. D26/42

D505,217 S * 5/2005 Bayat et al. D26/42

(73) Assignee: **Makita Corporation**, Anjo (JP)

* cited by examiner

(**) Term: **14 Years**

Primary Examiner—Marcus A. Jackson

(74) *Attorney, Agent, or Firm*—Oliff & Berridge, PLC

(21) Appl. No.: **29/242,863**

(57) **CLAIM**

(22) Filed: **Nov. 16, 2005**

The ornamental design for a portable fluorescent lamp, as shown and described.

(30) **Foreign Application Priority Data**

Jun. 9, 2005 (JP) 2005-016733

DESCRIPTION

(51) **LOC (8) Cl.** **26-02**

FIG. 1 is a perspective view of a portable fluorescent lamp showing our new design;

(52) **U.S. Cl.** **D26/42**

FIG. 2 is a front elevation view thereof;

(58) **Field of Classification Search** D26/37-50;
362/157, 158, 171-174, 183-208

FIG. 3 is a rear elevation view thereof;

See application file for complete search history.

FIG. 4 is a left side elevation view thereof;

FIG. 5 is a right side elevation view thereof;

(56) **References Cited**

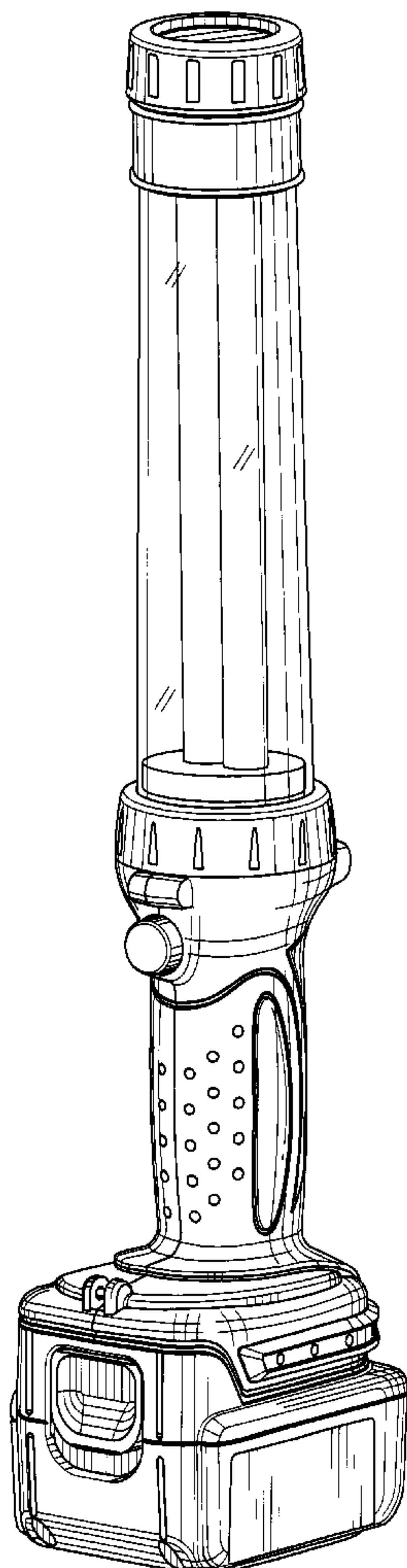
FIG. 6 is a top plan view thereof; and,

FIG. 7 is a bottom plan view thereof.

U.S. PATENT DOCUMENTS

D335,756 S * 5/1993 Gaynor D26/42

1 Claim, 4 Drawing Sheets



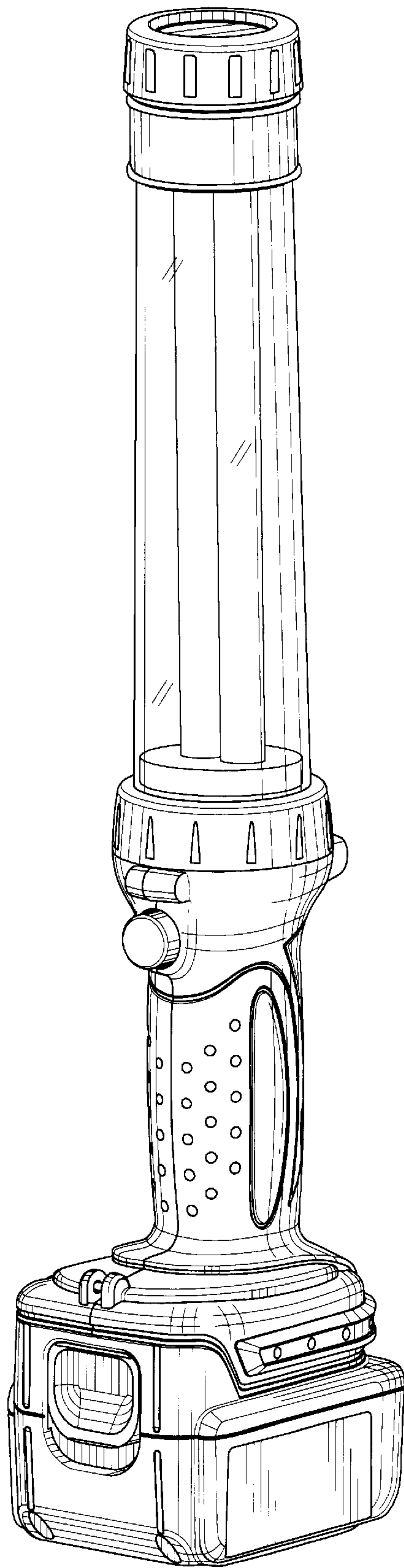


FIG. 1

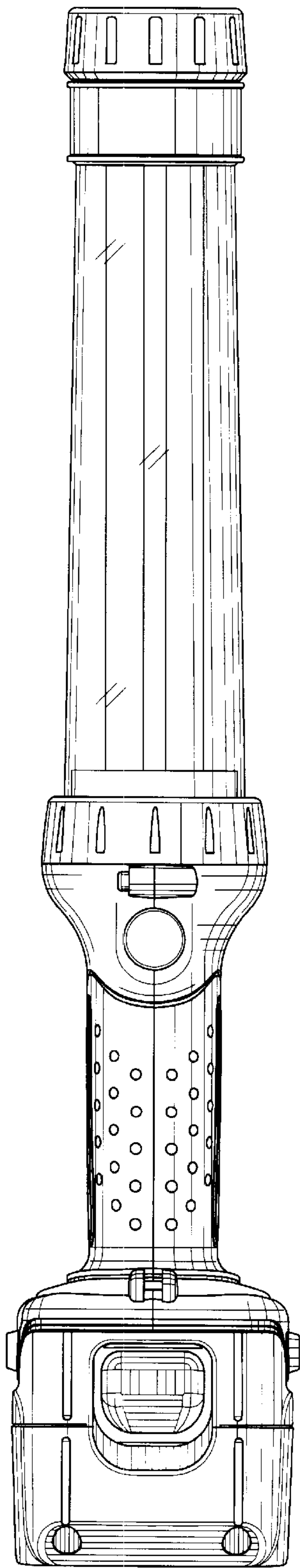


FIG. 2

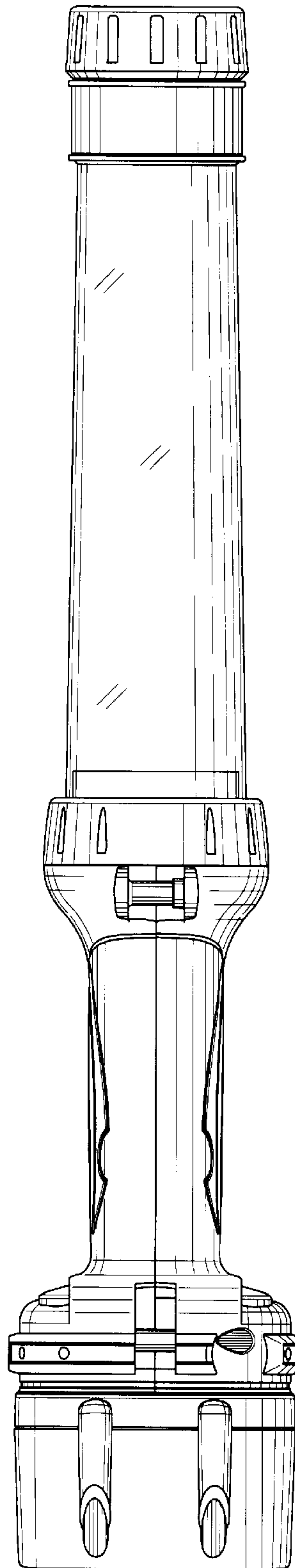


FIG. 3

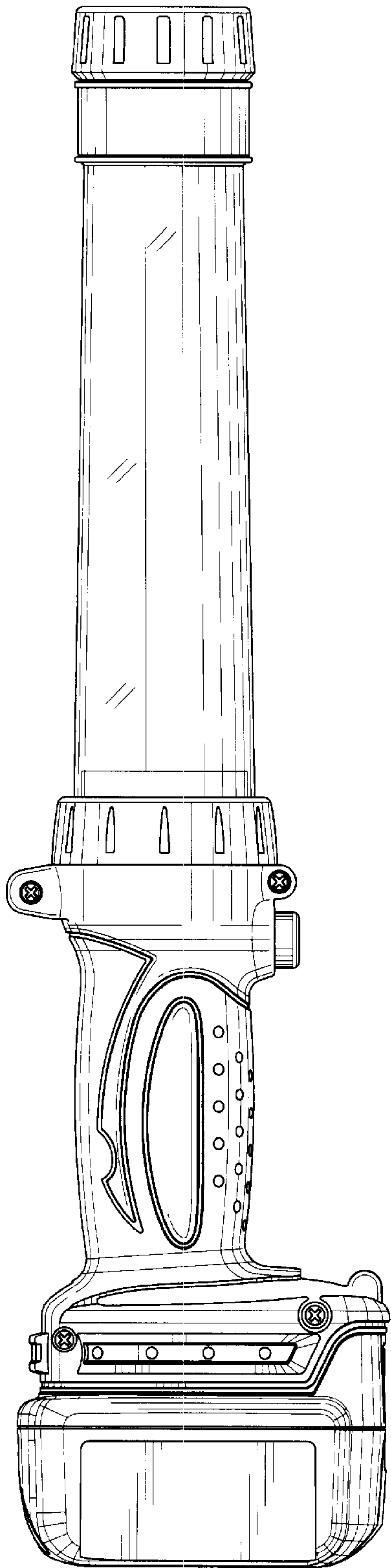


FIG. 4

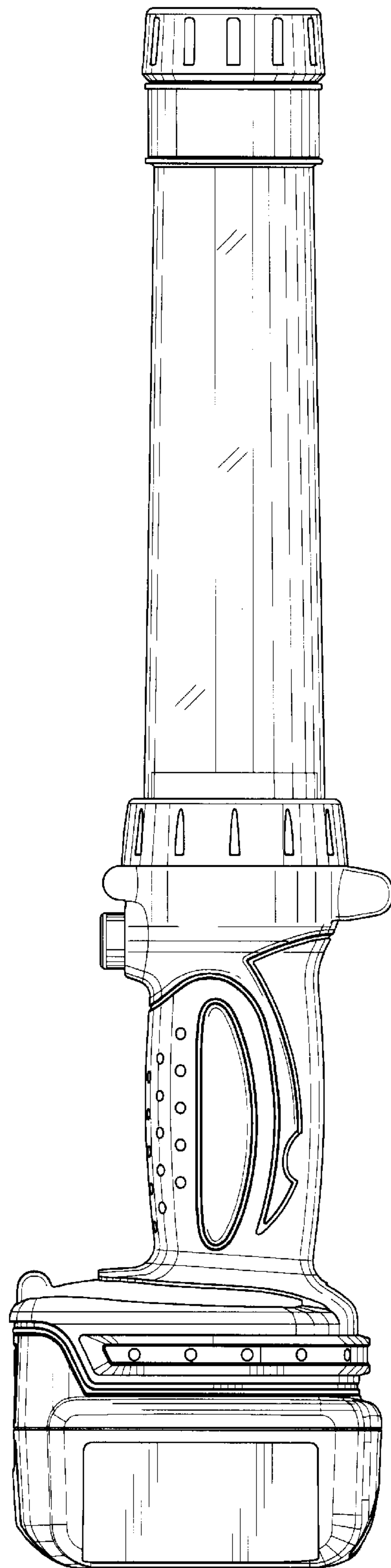


FIG. 5

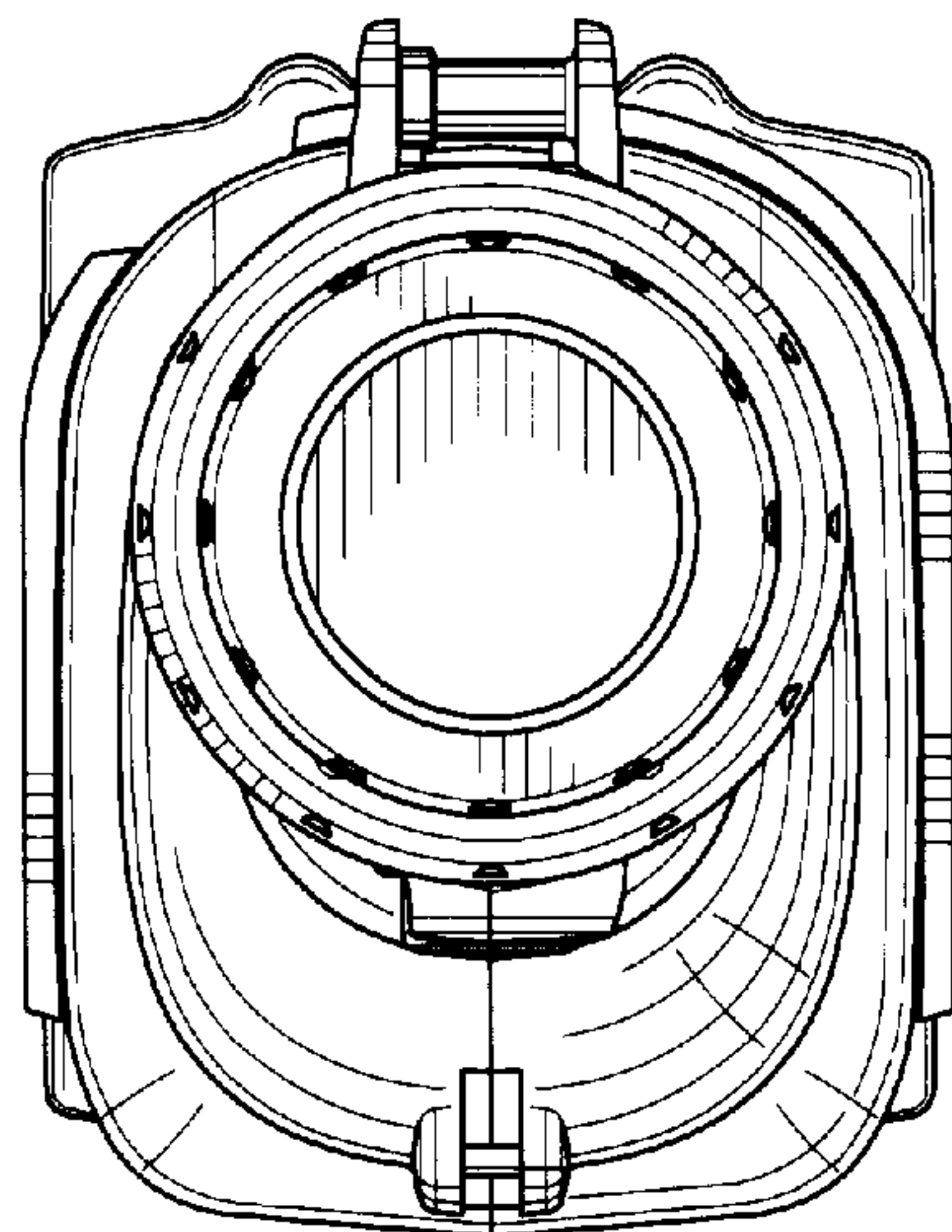


FIG. 6

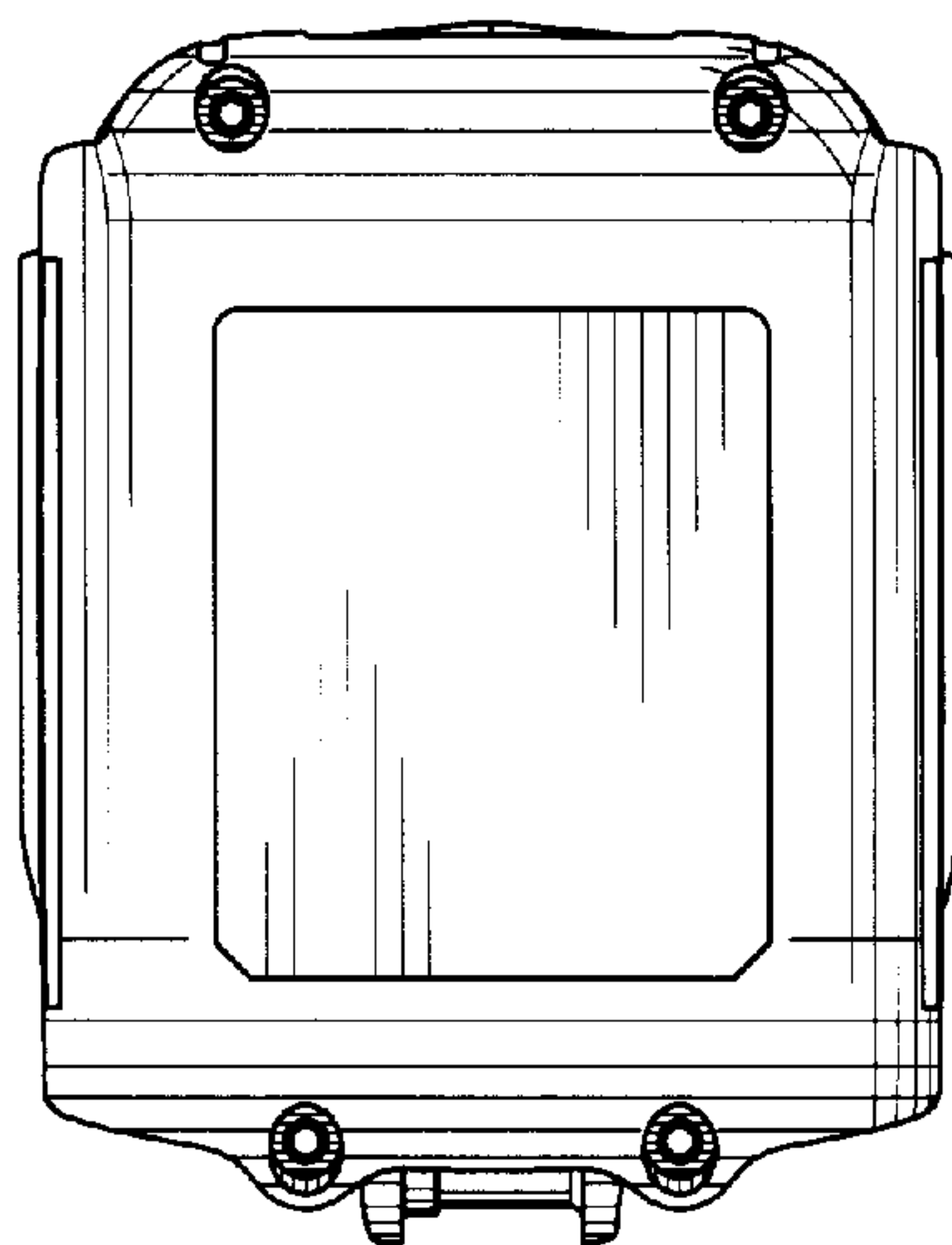


FIG. 7