



US00D530842S

(12) **United States Design Patent**  
**Fukuda et al.**

(10) **Patent No.:** **US D530,842 S**  
(45) **Date of Patent:** **\*\* Oct. 24, 2006**

(54) **FRONT COMBINATION LAMP FOR AN  
AUTOMOBILE**

D520,157 S \* 5/2006 Matei et al. .... D26/28

**OTHER PUBLICATIONS**

(75) Inventors: **Shinya Fukuda**, Aichi-ken (JP); **Kouji  
Katsuno**, Aichi-ken (JP); **Yoshiyasu  
Neuchi**, Aichi-ken (JP)

Toyota ALPHARD, Brochure of ALPHARD, May 2004.  
Toyota IPSUM, '03-'04 Domestic & Imported Cars Guide  
Book, Jul. 21, 2003.

(73) Assignee: **Toyota Jidosha Kabushiki Kaisha (JP)**

\* cited by examiner

(\*\*) Term: **14 Years**

*Primary Examiner*—Marcus A. Jackson

(21) Appl. No.: **29/227,202**

(74) *Attorney, Agent, or Firm*—SAIDMAN DesignLaw  
Group

(22) Filed: **Apr. 7, 2005**

(57) **CLAIM**

(51) **LOC (8) Cl.** ..... **26-06**

The ornamental design for a front combination lamp for an  
automobile, as shown and described.

(52) **U.S. Cl.** ..... **D26/28**

(58) **Field of Classification Search** ..... D26/28-36;  
362/459-468, 475-478, 485-487

See application file for complete search history.

**DESCRIPTION**

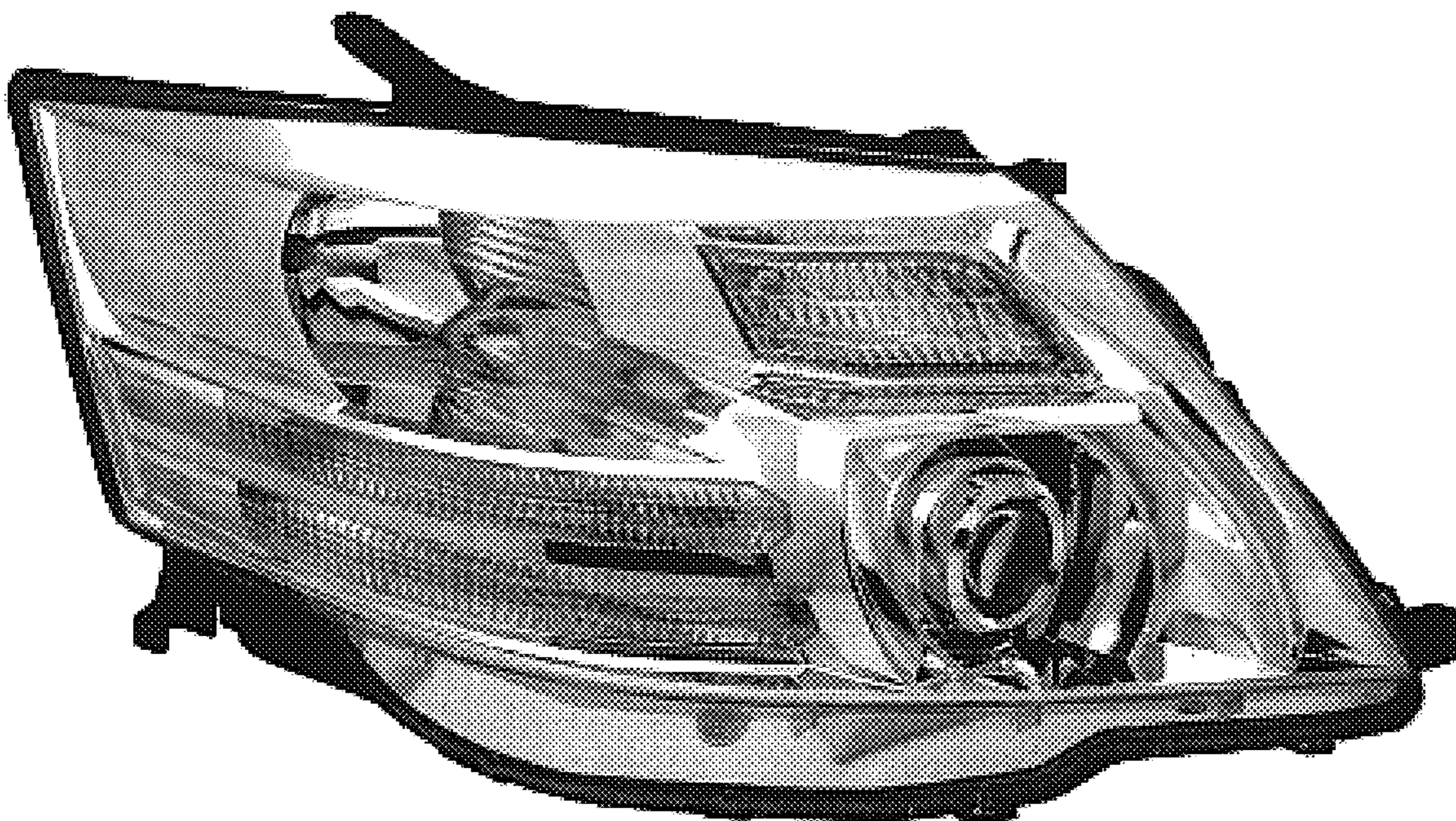
(56) **References Cited**

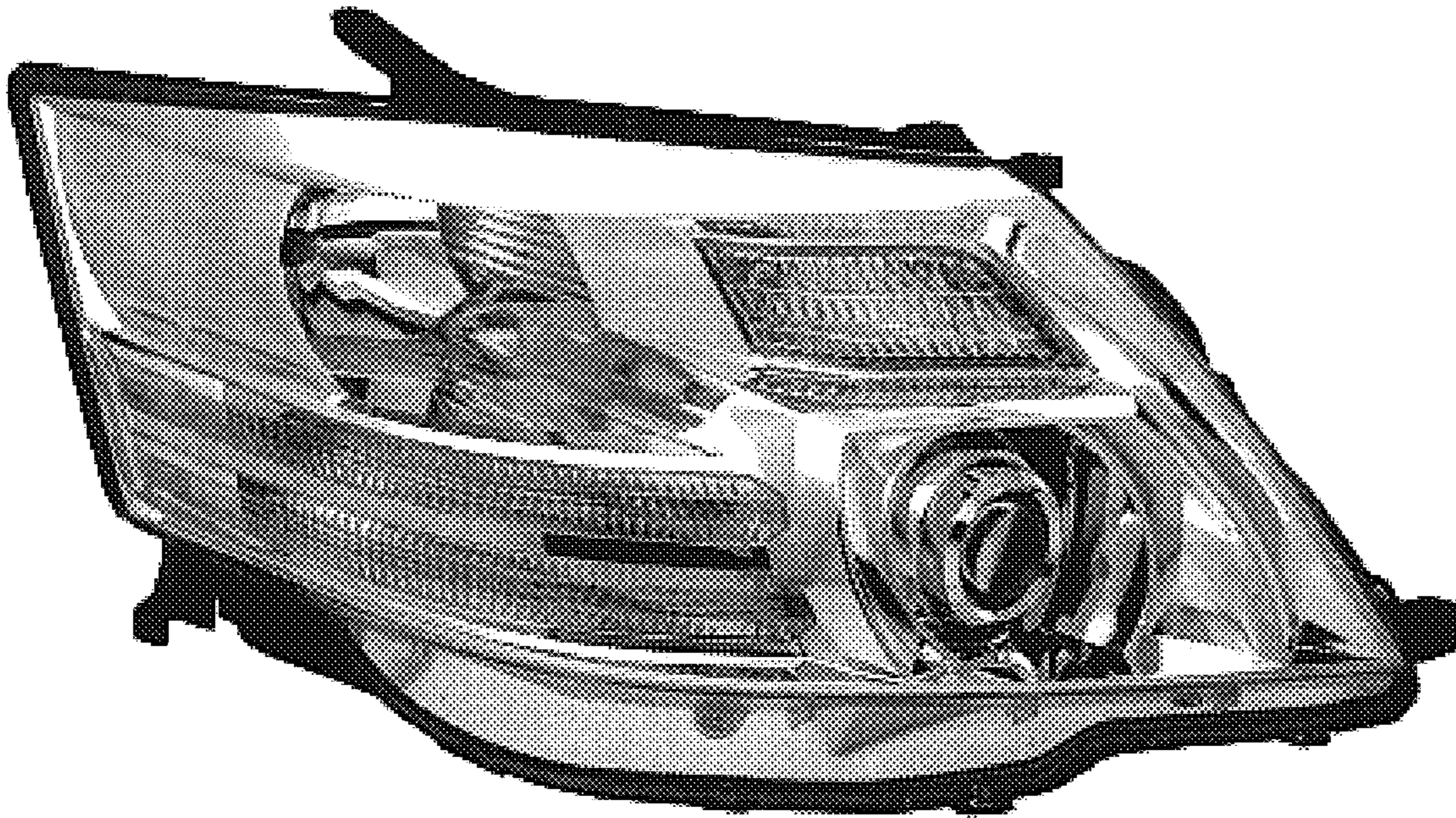
FIG. 1 is a front perspective view of a front combination  
lamp for an automobile showing my new design;  
FIG. 2 is a front view thereof;  
FIG. 3 is a left-side view thereof; and,  
FIG. 4 is a top view thereof.

**U.S. PATENT DOCUMENTS**

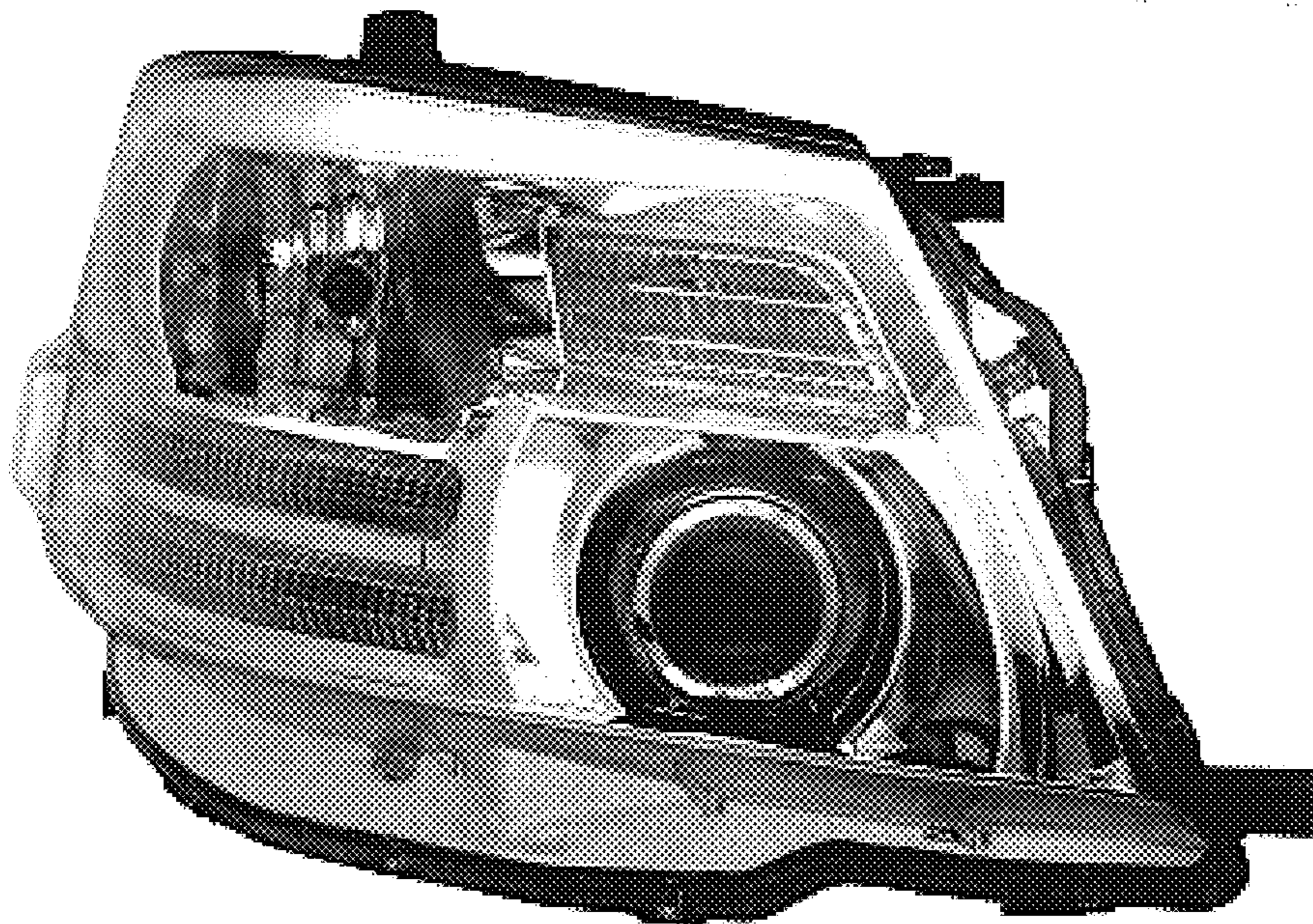
D480,822 S \* 10/2003 Horowitz ..... D26/28  
D495,439 S \* 8/2004 Hara et al. .... D26/28

**1 Claim, 2 Drawing Sheets**

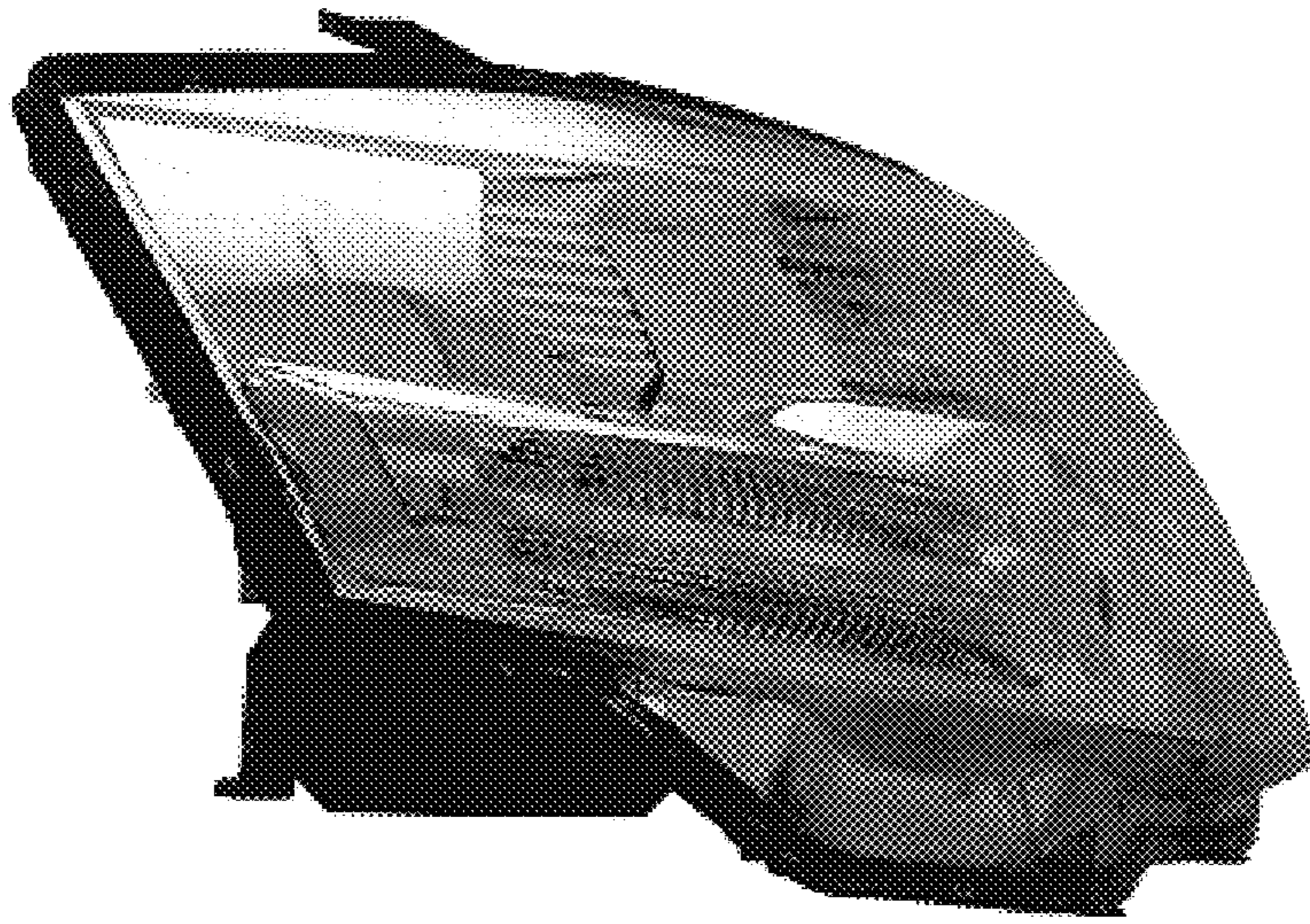




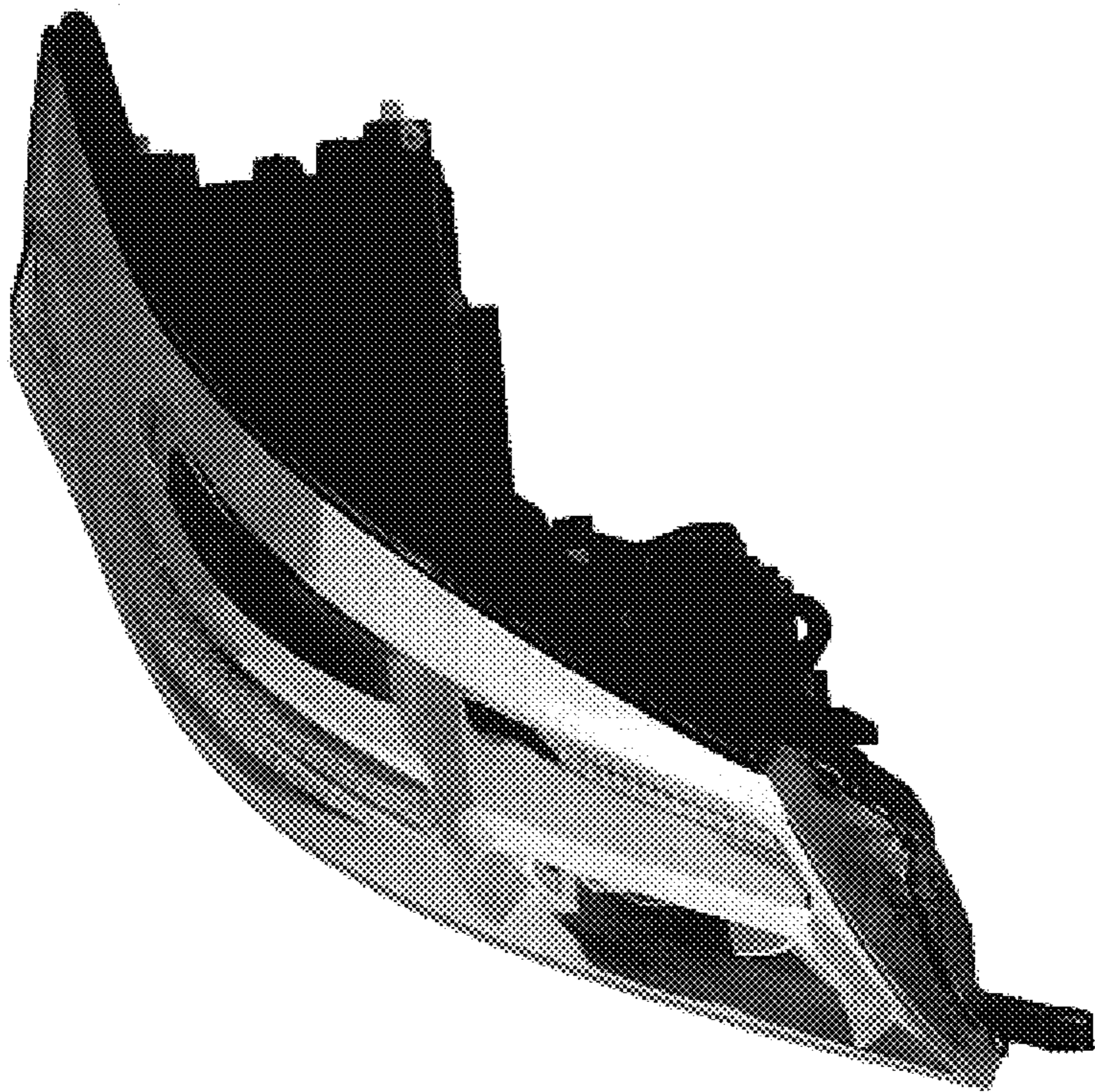
**FIG. 1**



**FIG. 2**



**FIG. 3**



**FIG. 4**