



US00D530839S

(12) **United States Design Patent**  
**Matsuoka et al.**

(10) **Patent No.:** **US D530,839 S**  
(45) **Date of Patent:** **\*\* Oct. 24, 2006**

(54) **COMBINATION LAMP FOR AN  
AUTOMOBILE**

D486,595 S \* 2/2004 Liu ..... D26/28  
D496,478 S \* 9/2004 Wu ..... D26/28  
D498,548 S \* 11/2004 Kawashima et al. .... D26/28

(75) Inventors: **Tomohito Matsuoka**, Aichi-ken (JP);  
**Hiroshi Suzuki**, Aichi-ken (JP)

\* cited by examiner

(73) Assignee: **Toyota Jidosha Kabushiki Kaisha**,  
Aichi-ken (JP)

*Primary Examiner*—Marcus A. Jackson  
(74) *Attorney, Agent, or Firm*—Finnegan, Henderson,  
Farabow, Garrett & Dunner, LLP

(\*\*) Term: **14 Years**

(57) **CLAIM**

(21) Appl. No.: **29/200,713**

The ornamental design for a combination lamp for an  
automobile, as shown and described.

(22) Filed: **Mar. 4, 2004**

**DESCRIPTION**

(30) **Foreign Application Priority Data**

Dec. 22, 2003 (JP) ..... 2003-037716

(51) **LOC (8) Cl.** ..... **26-06**

(52) **U.S. Cl.** ..... **D26/28**

(58) **Field of Classification Search** ..... D26/28-36;  
362/459-468, 475-478, 485-487

See application file for complete search history.

FIG. 1 is a left-front, perspective view of a combination  
lamp for an automobile of our new design;  
FIG. 2 is a front view of our new design;  
FIG. 3 is a right-side view of our new design;  
FIG. 4 is a left-side view of our new design;  
FIG. 5 is a top view of our new design;  
FIG. 6 is a bottom view of our new design; and,  
FIG. 7 is a rear view of our new design.

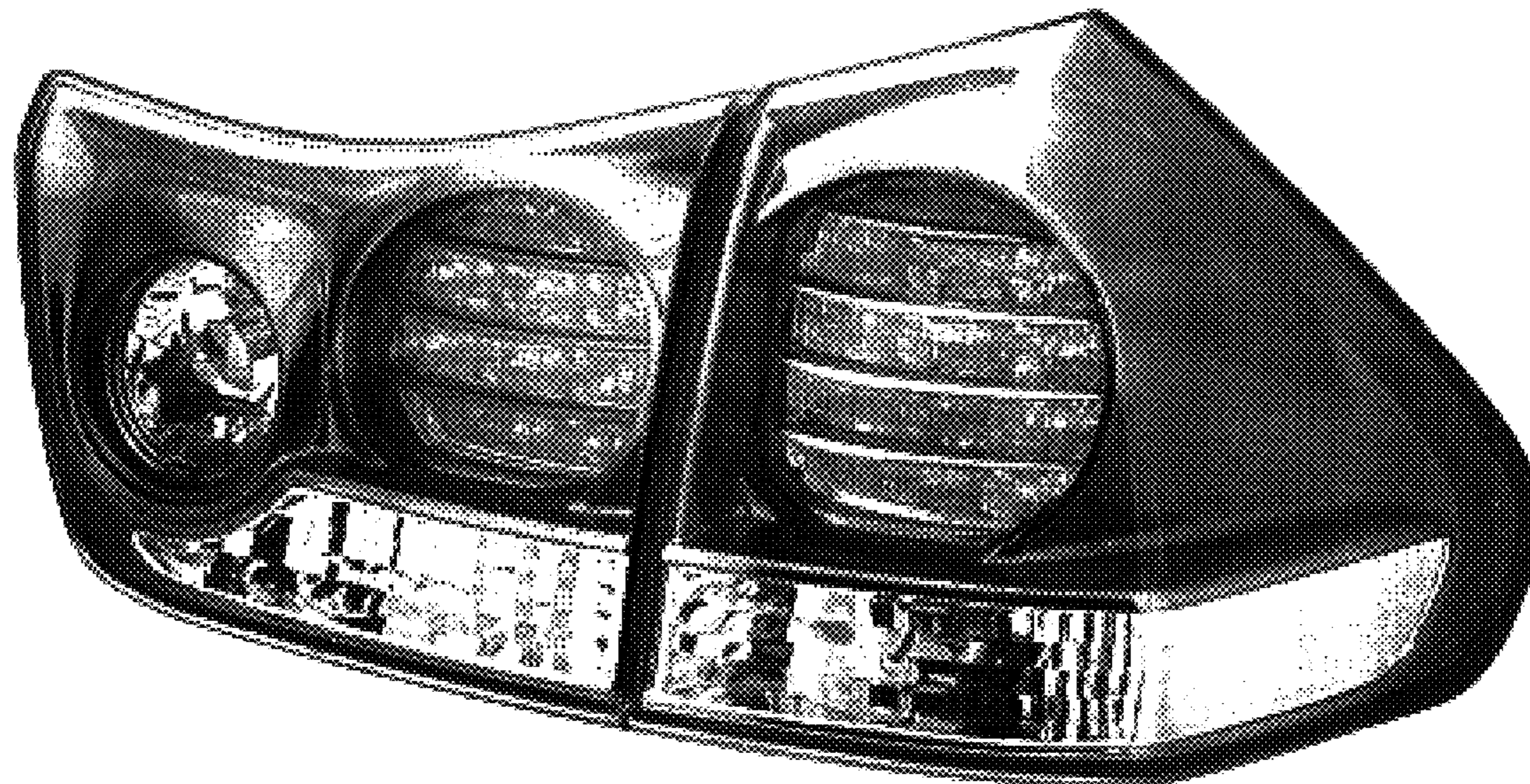
Our design includes a mirror image of the embodiment  
depicted.

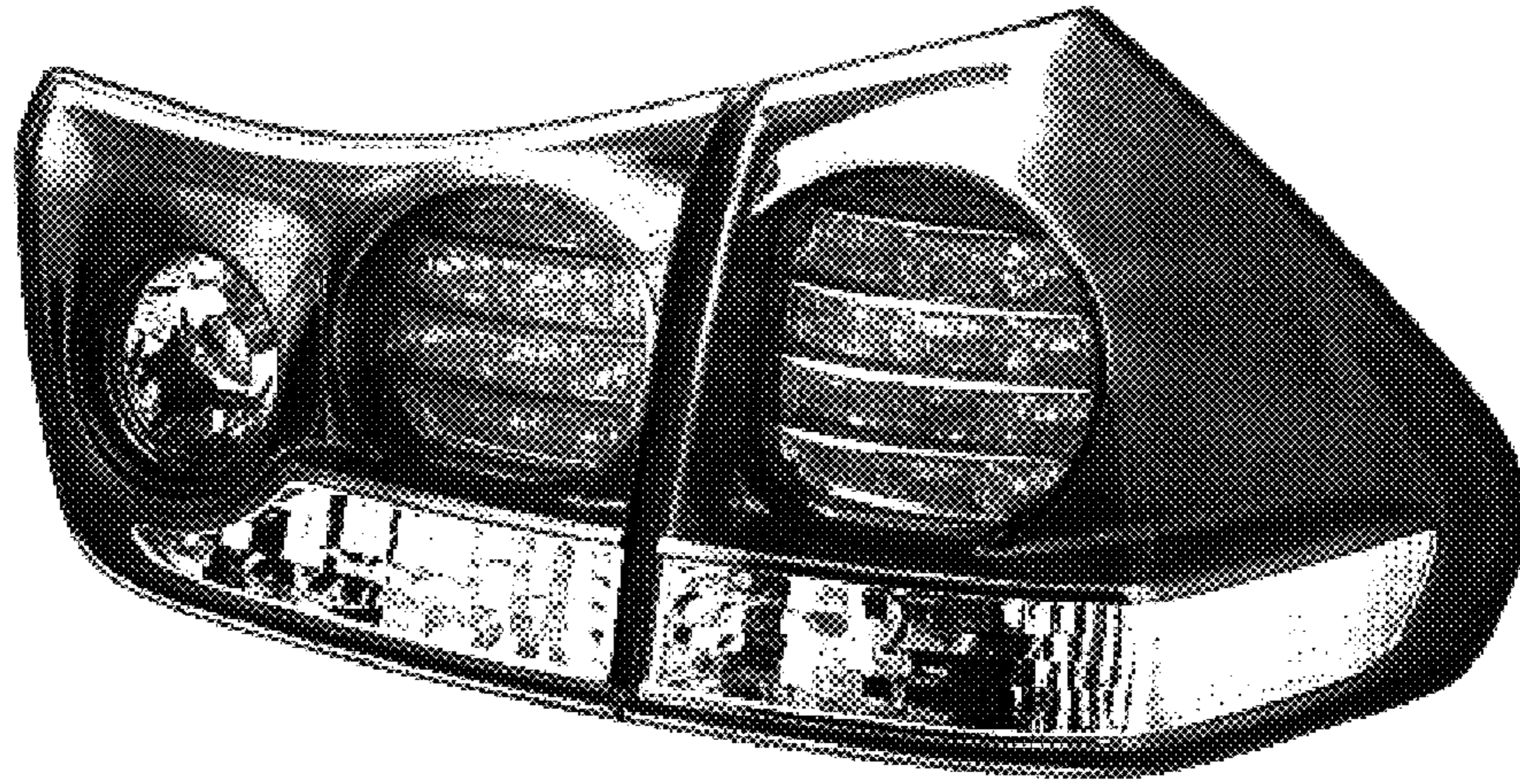
(56) **References Cited**

**U.S. PATENT DOCUMENTS**

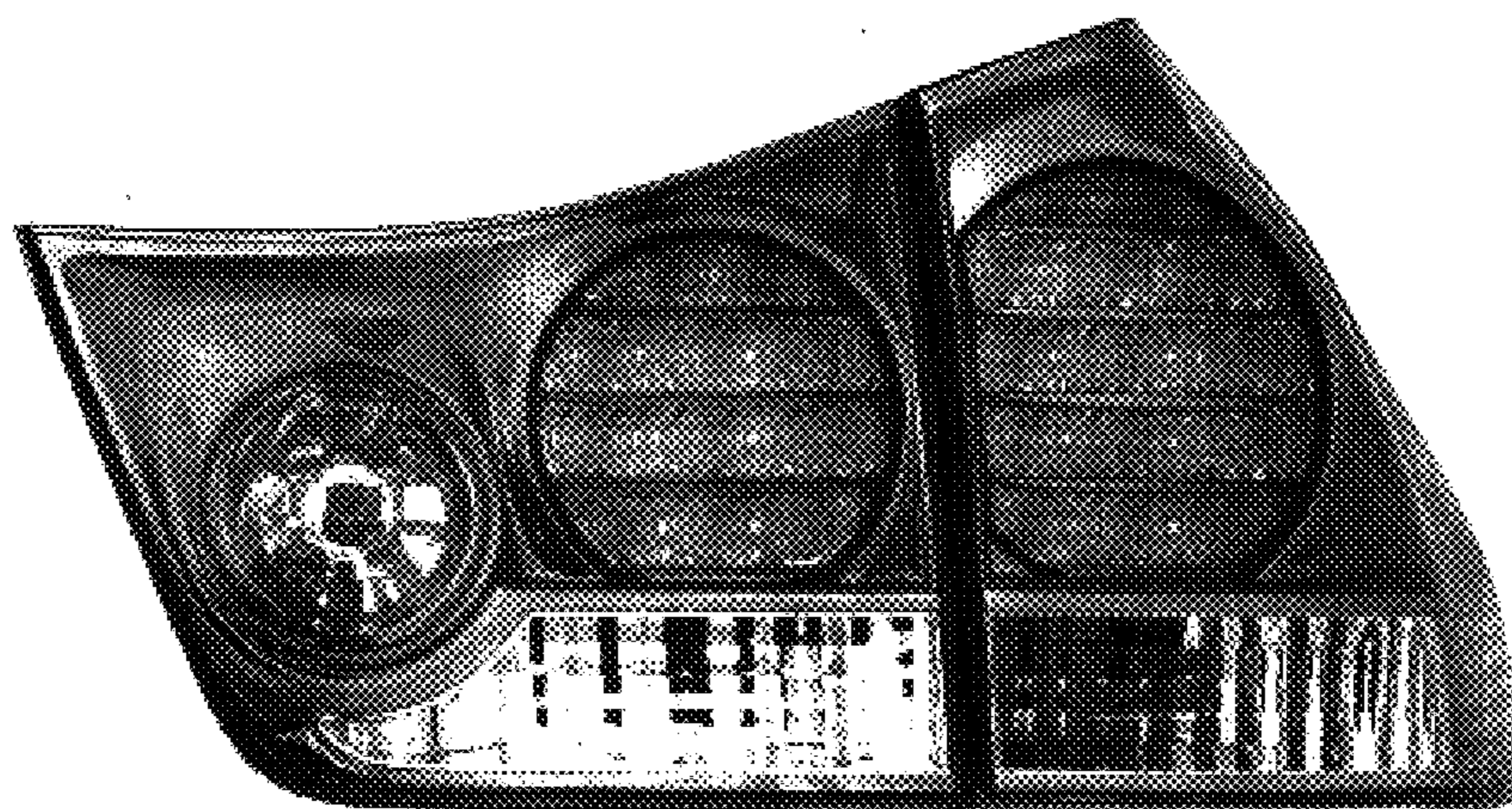
D483,890 S \* 12/2003 Lin ..... D26/28

**1 Claim, 4 Drawing Sheets**

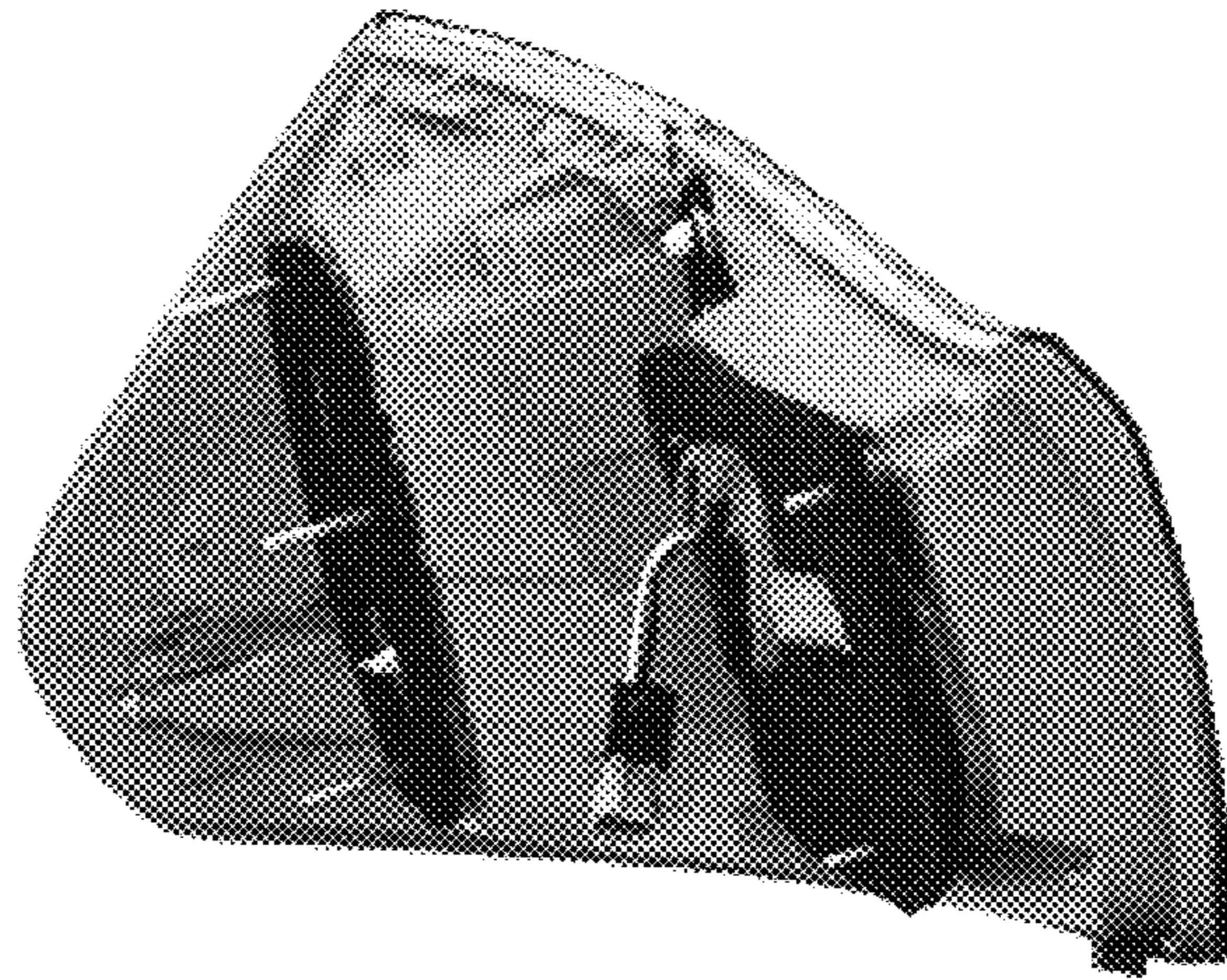




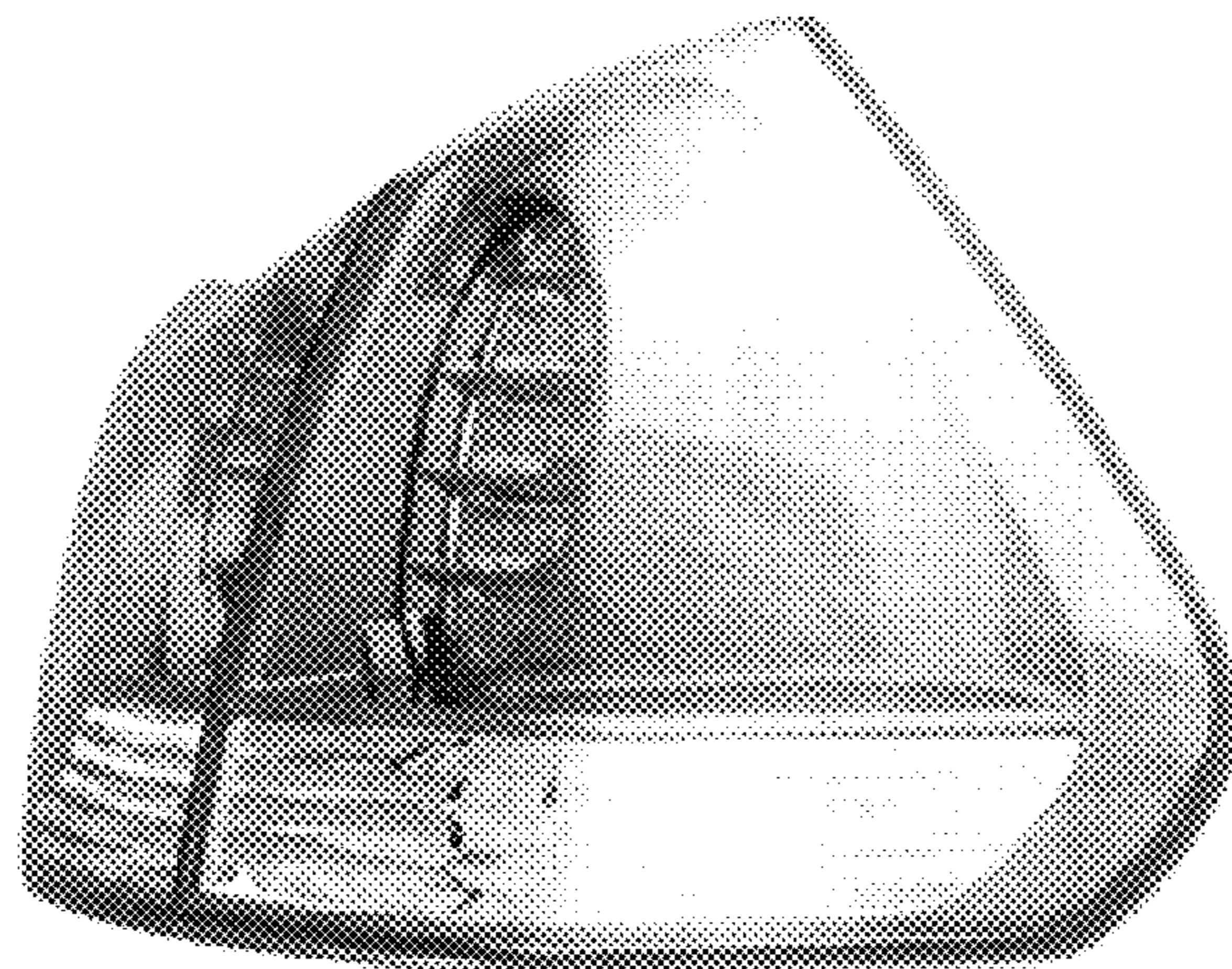
**FIG. 1**



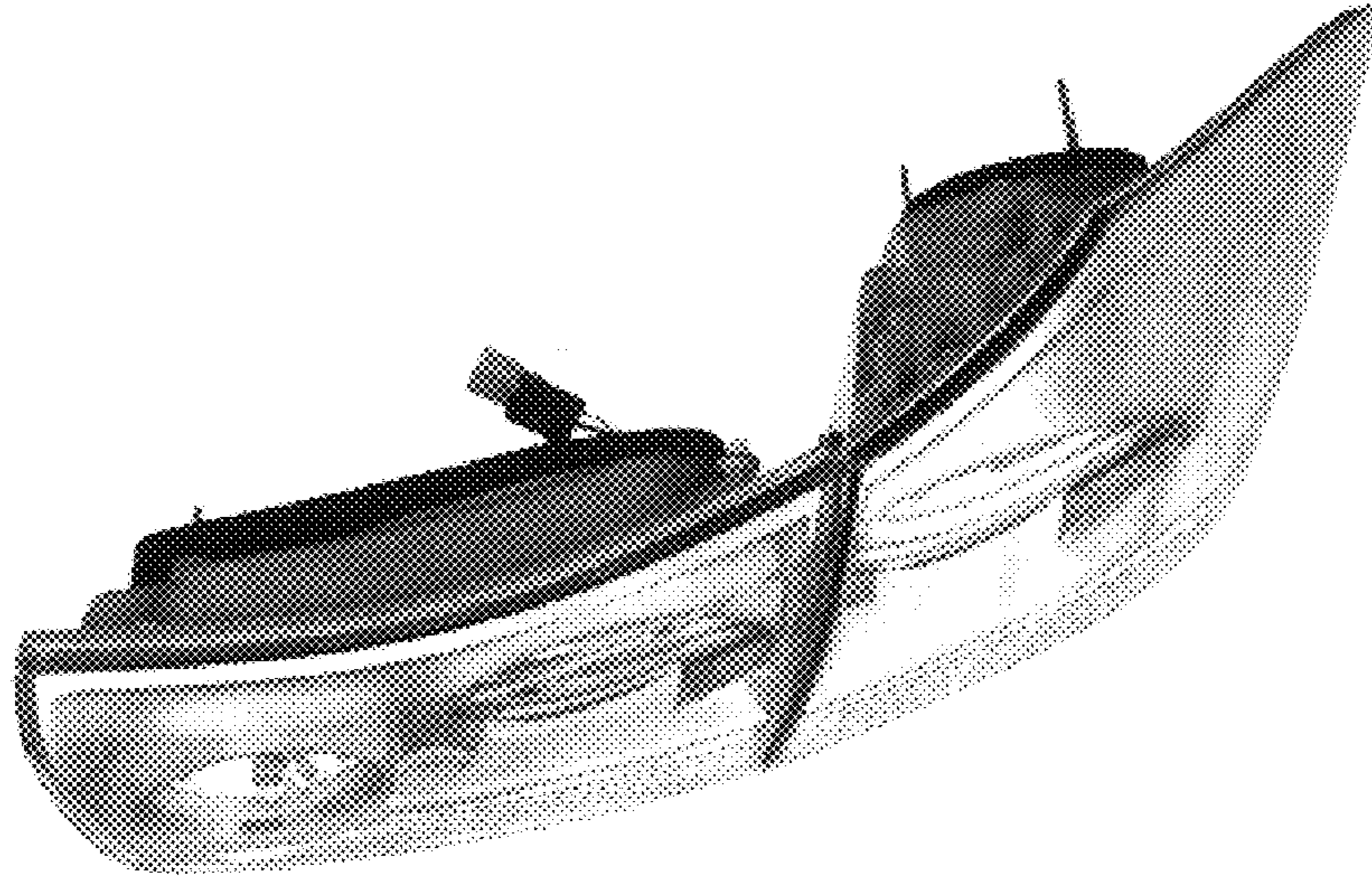
**FIG. 2**



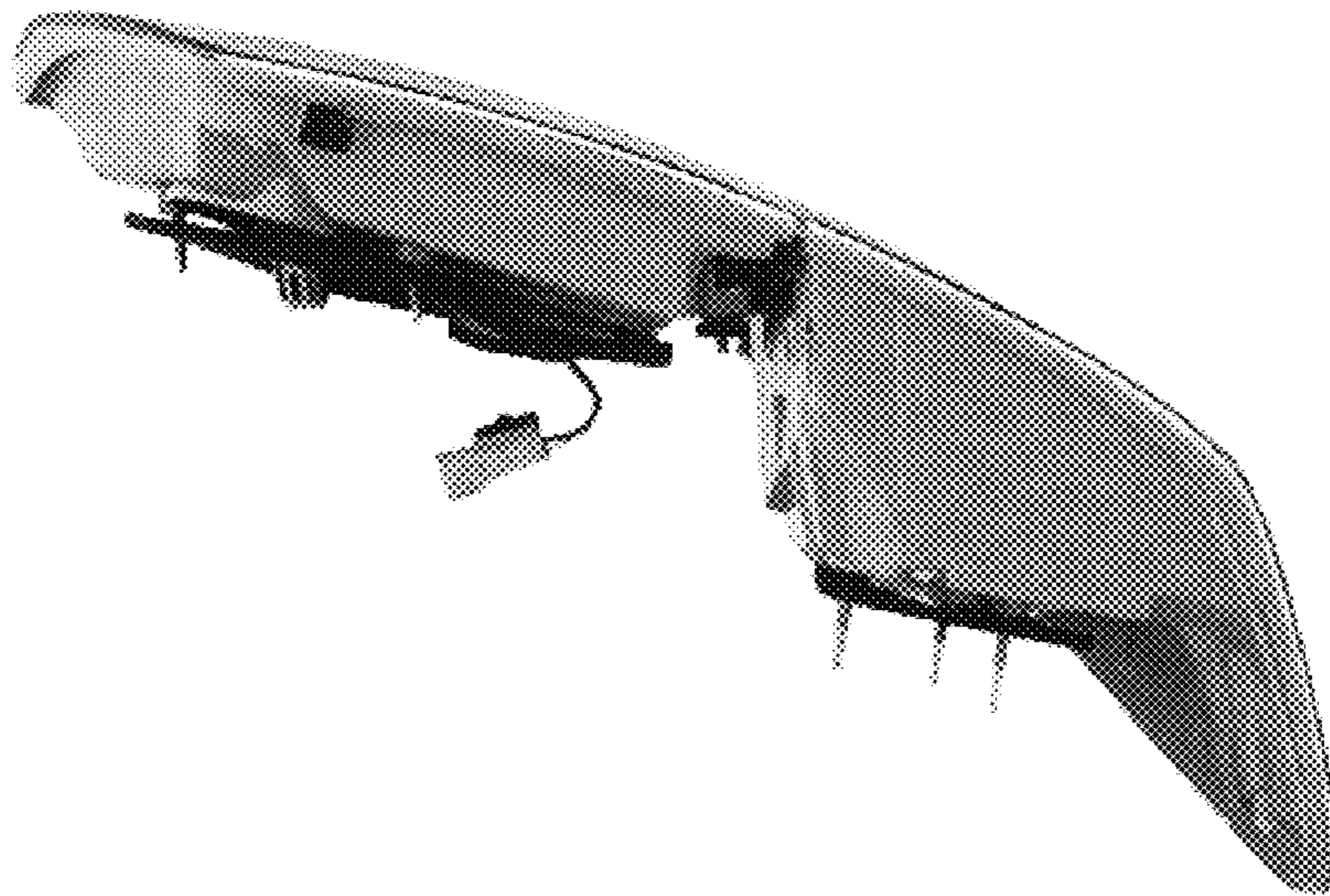
**FIG. 3**



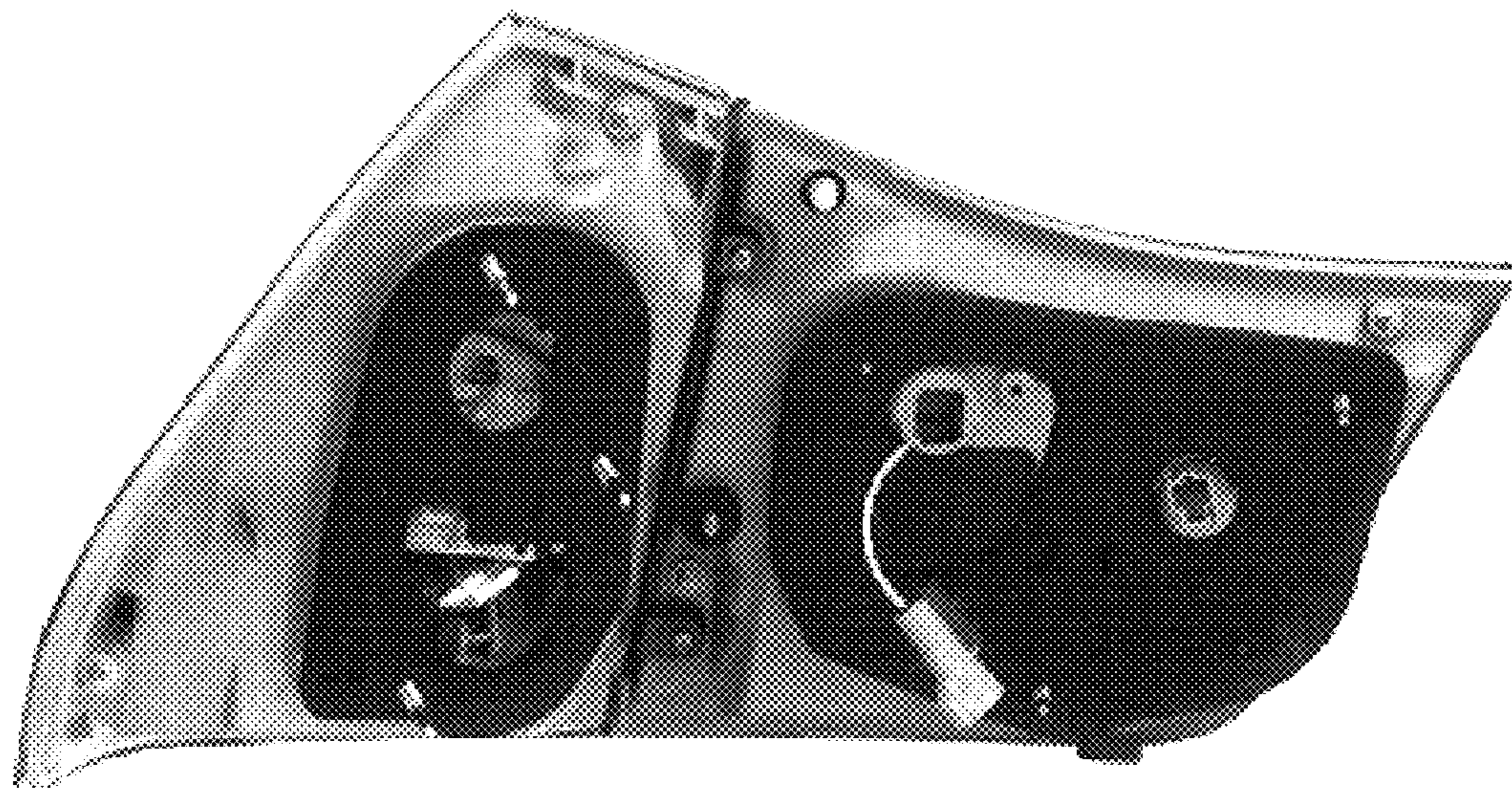
**FIG. 4**



**FIG. 5**



**FIG. 6**



**FIG. 7**