



US00D530833S

(12) **United States Design Patent**
Robertson et al.

(10) **Patent No.:** **US D530,833 S**
(45) **Date of Patent:** **** Oct. 24, 2006**

(54) **SIDING PANEL**

Primary Examiner—Doris Clark

(75) Inventors: **Rod Robertson**, Paris (CA); **Gary Ball**,
Kitchener (CA); **Ron Male**, Paris (CA);
Vince Dunne, Rockwood (CA)

(57) **CLAIM**

The ornamental design for a siding panel, as shown and described.

(73) Assignee: **Mitten Inc.**, Paris (CA)

(**) Term: **14 Years**

DESCRIPTION

(21) Appl. No.: **29/227,626**

(22) Filed: **Apr. 14, 2005**

(51) **LOC (8) Cl.** **25-01**

(52) **U.S. Cl.** **D25/121; D25/141**

(58) **Field of Classification Search** D25/139,
D25/141, 114; 52/557, 518, 440, 441, 442,
52/409, 314, 309.1, 309.14, 273

See application file for complete search history.

FIG. 1 is a perspective view of a front side of the siding panel positioned above a second siding panel;

FIG. 2 is a perspective view of the front side of the siding panel;

FIG. 3 is a perspective view of the front side and a bottom side thereof;

FIG. 4 is a side elevation view of a first side thereof;

FIG. 5 is a front elevation view thereof;

FIG. 6 is a side elevation view of a second side thereof;

FIG. 7 is a back elevation view thereof;

FIG. 8 is a top view thereof; and,

FIG. 9 is a bottom view thereof.

The broken lines showing the second siding panel in FIG. 1 are for illustrative purposes only and form no part of the claimed design.

The claimed design is broken in the center to indicate indefinite length.

(56) **References Cited**

U.S. PATENT DOCUMENTS

D215,963 S * 11/1969 Flachbarth et al. D25/121

4,435,933 A * 3/1984 Krowl 52/309.1

D471,292 S * 3/2003 Barber D25/141

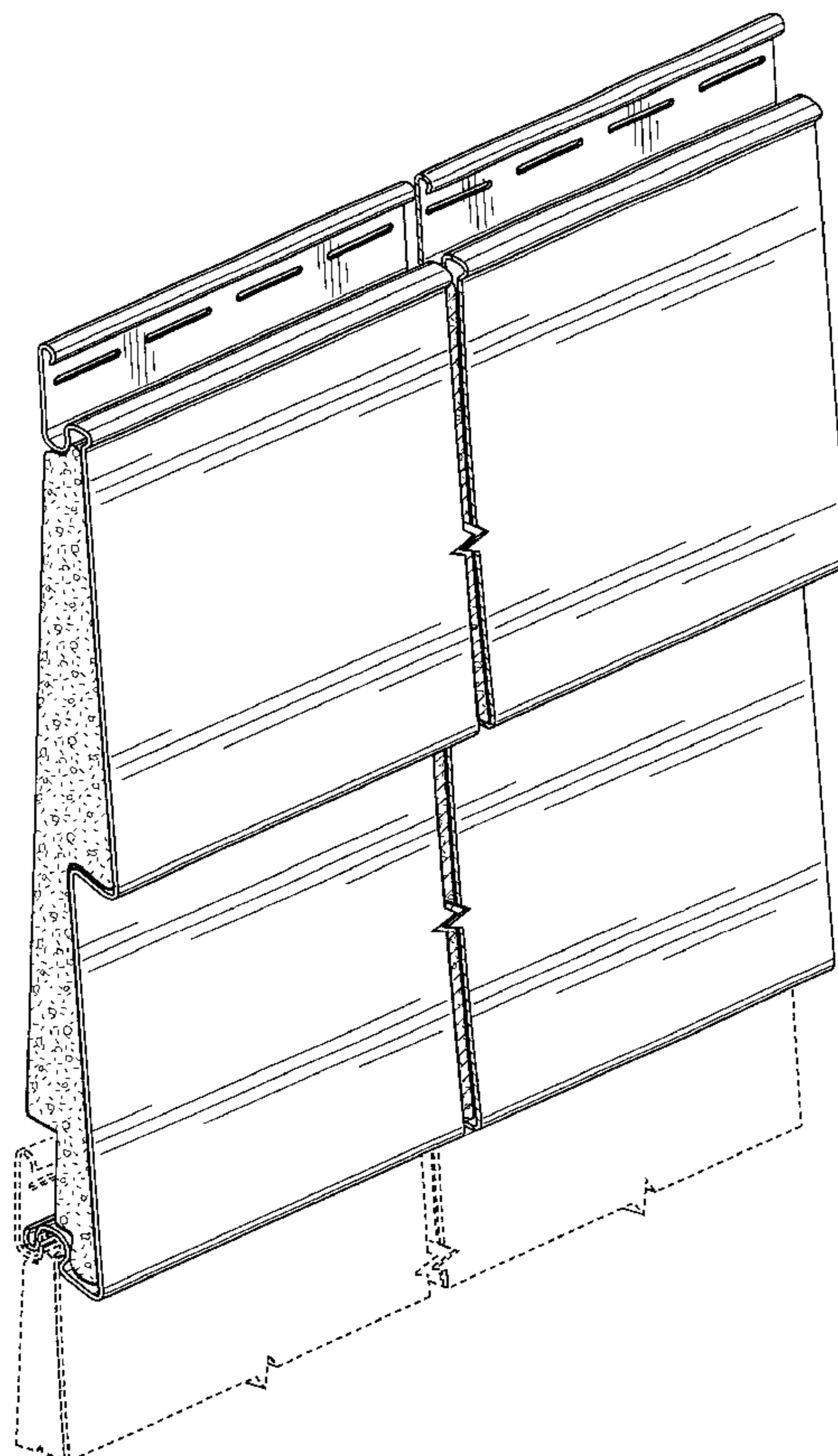
6,526,718 B1 * 3/2003 Manning et al. 52/555

FOREIGN PATENT DOCUMENTS

WO WO 2005/038166 4/2005

* cited by examiner

1 Claim, 6 Drawing Sheets



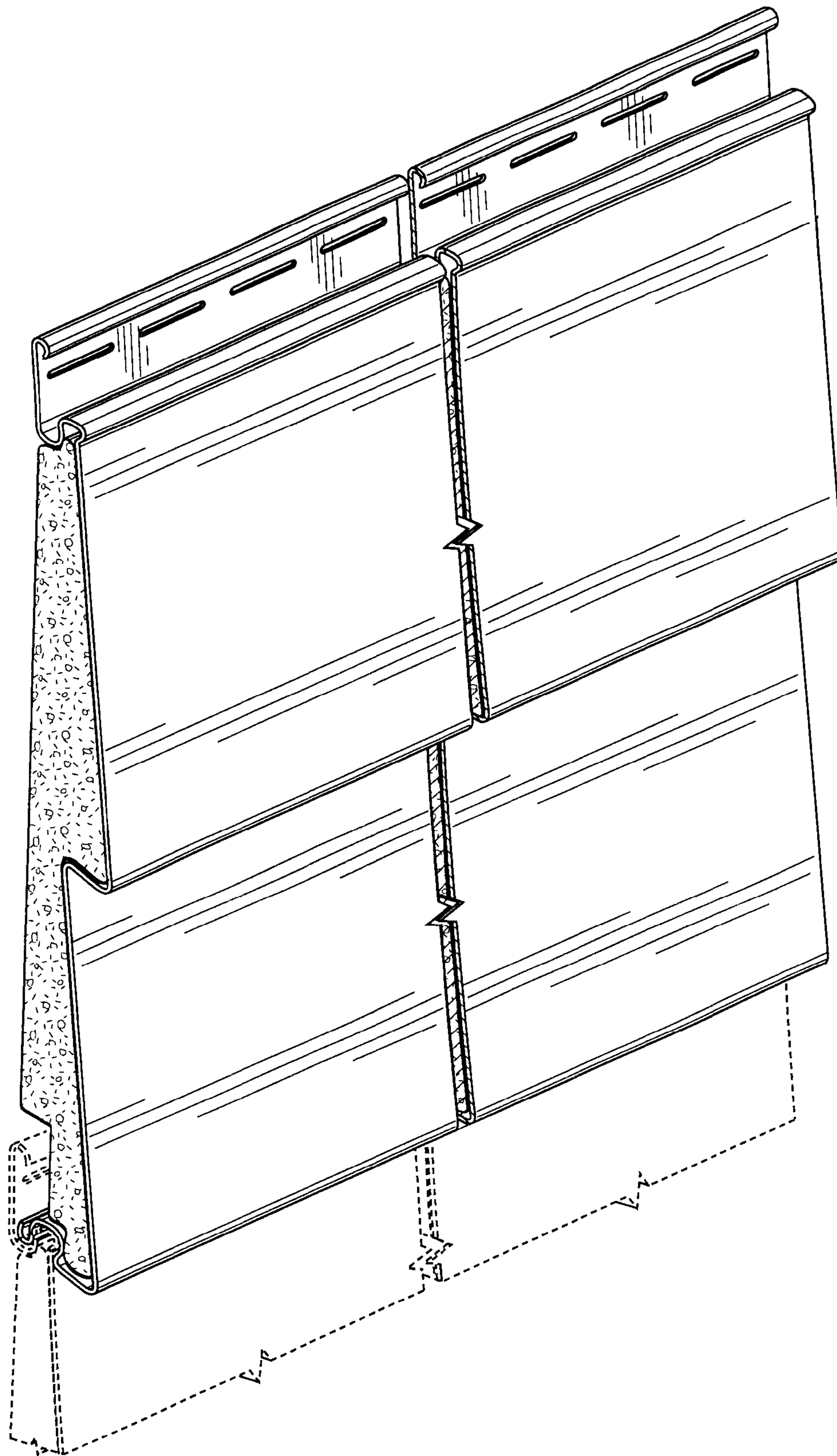


FIG. 1

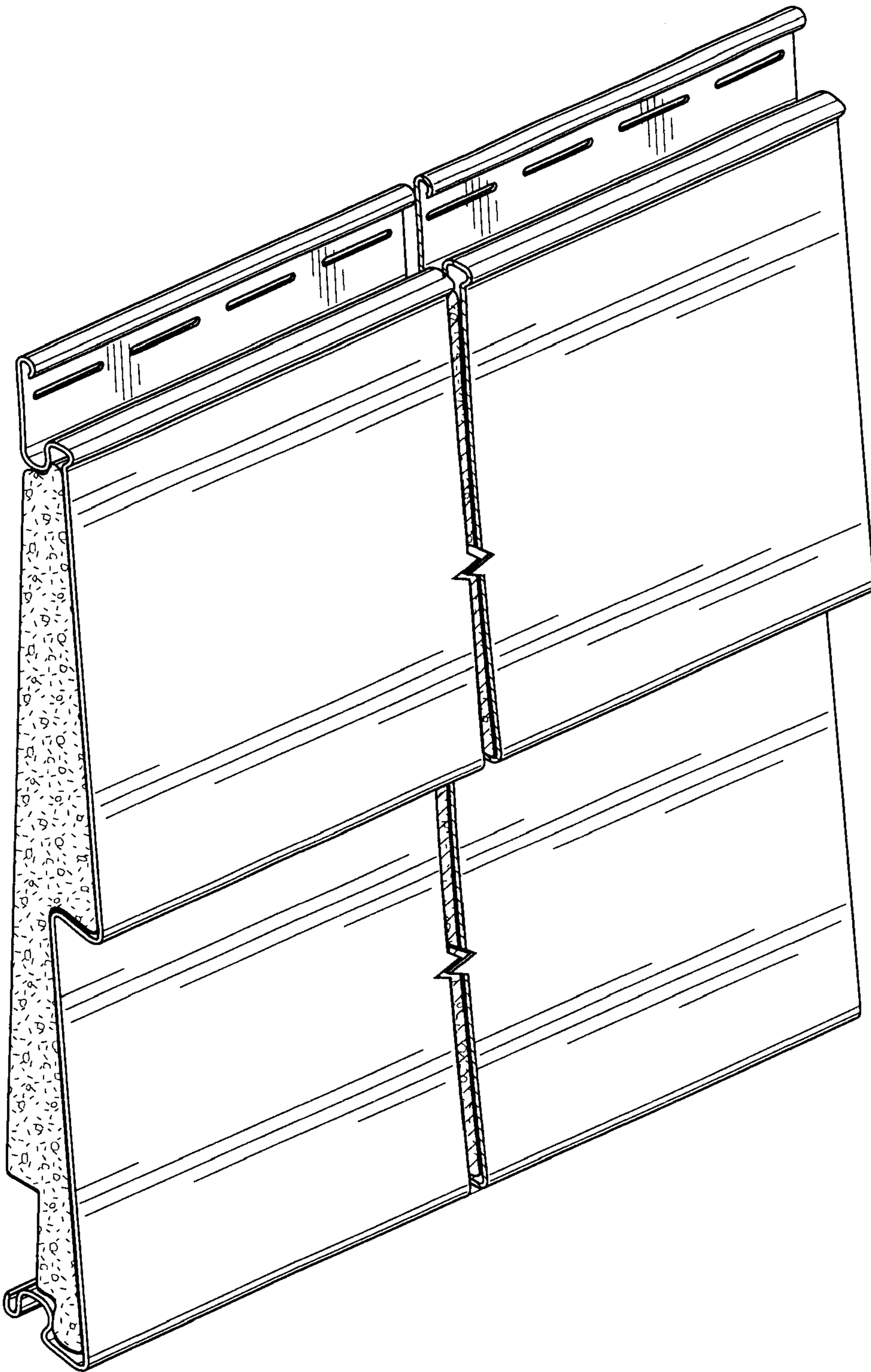


FIG. 2

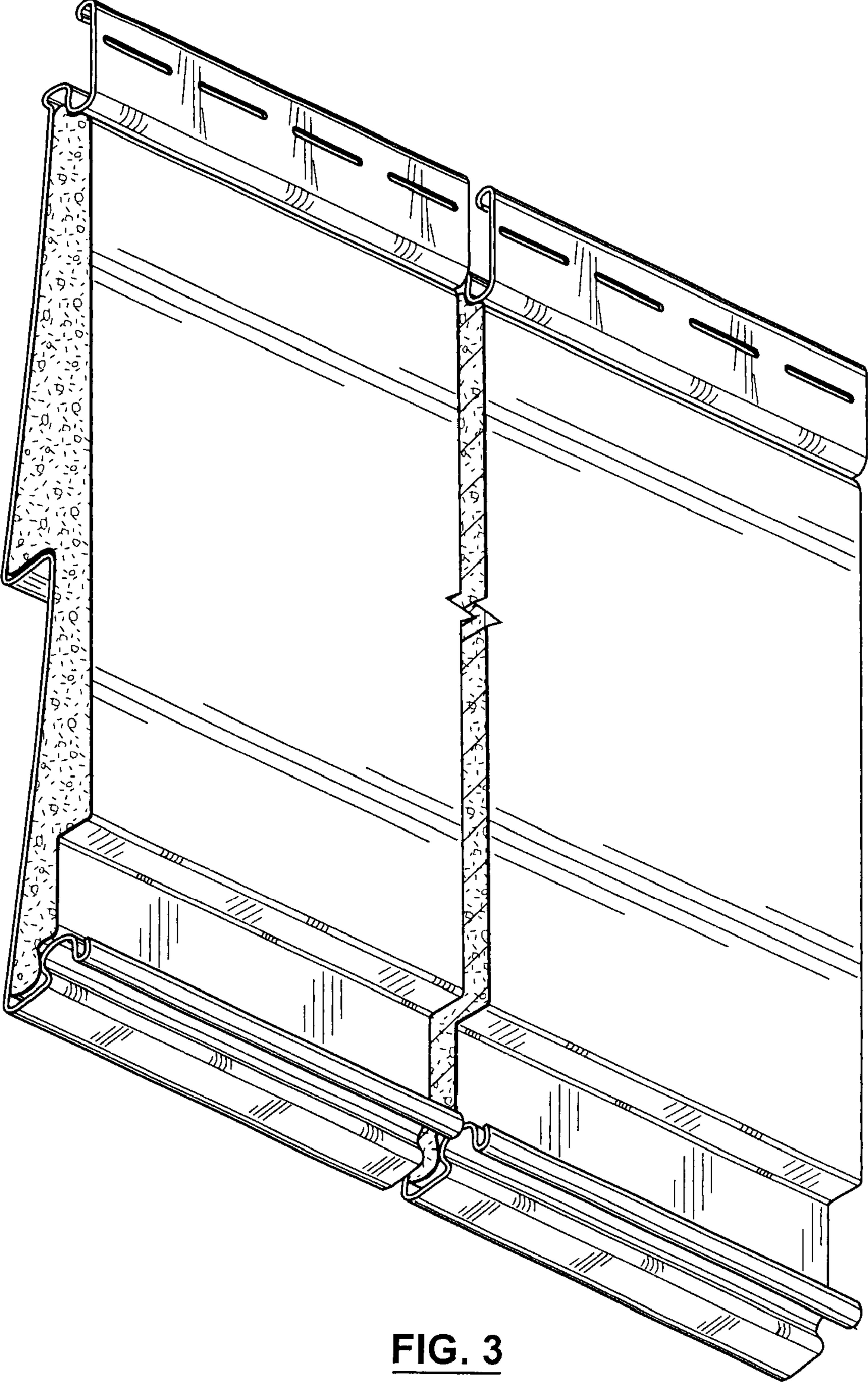


FIG. 3

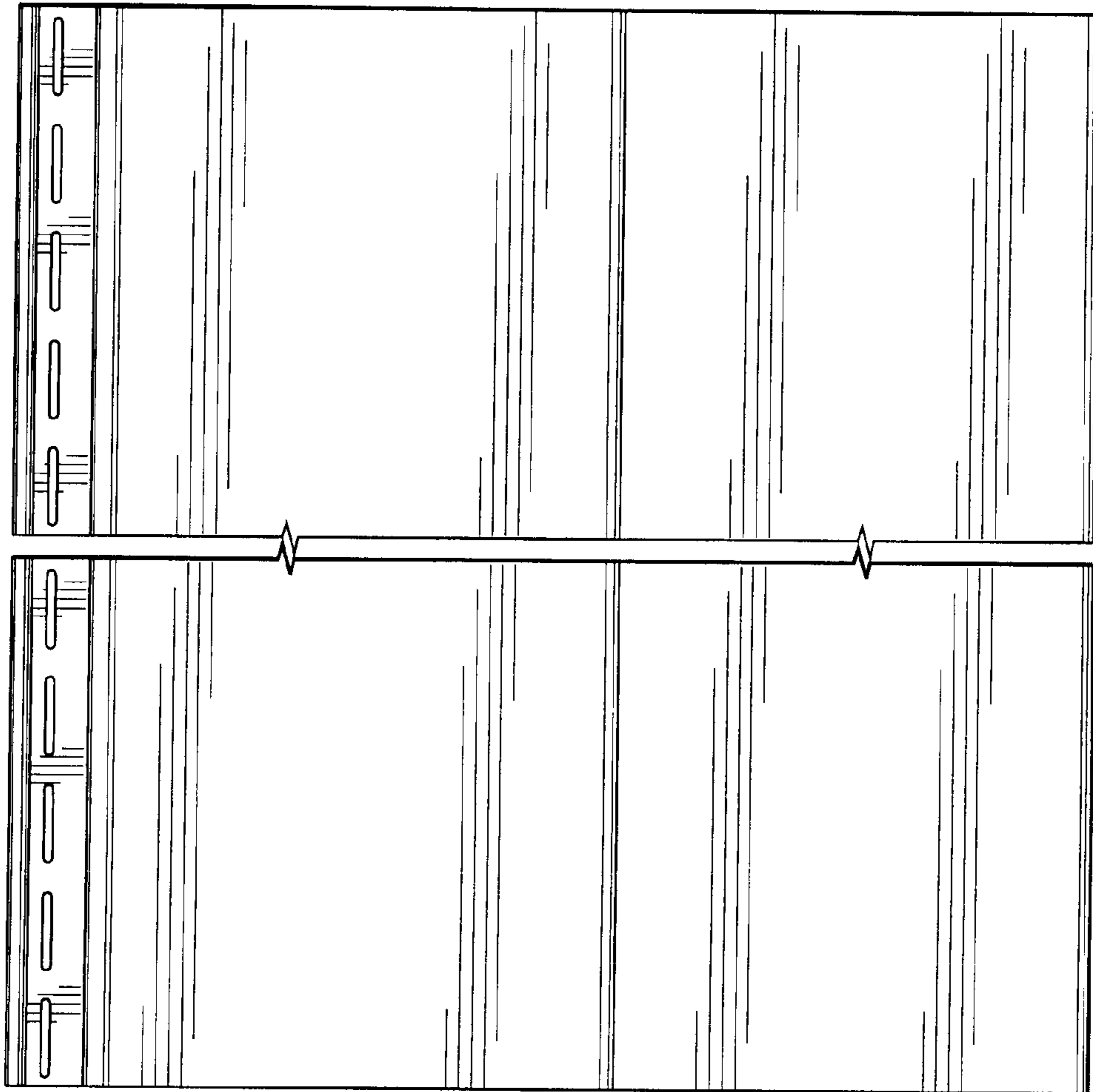


FIG. 5

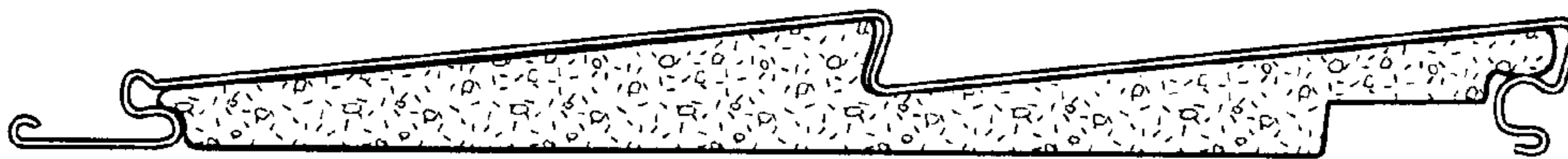


FIG. 4

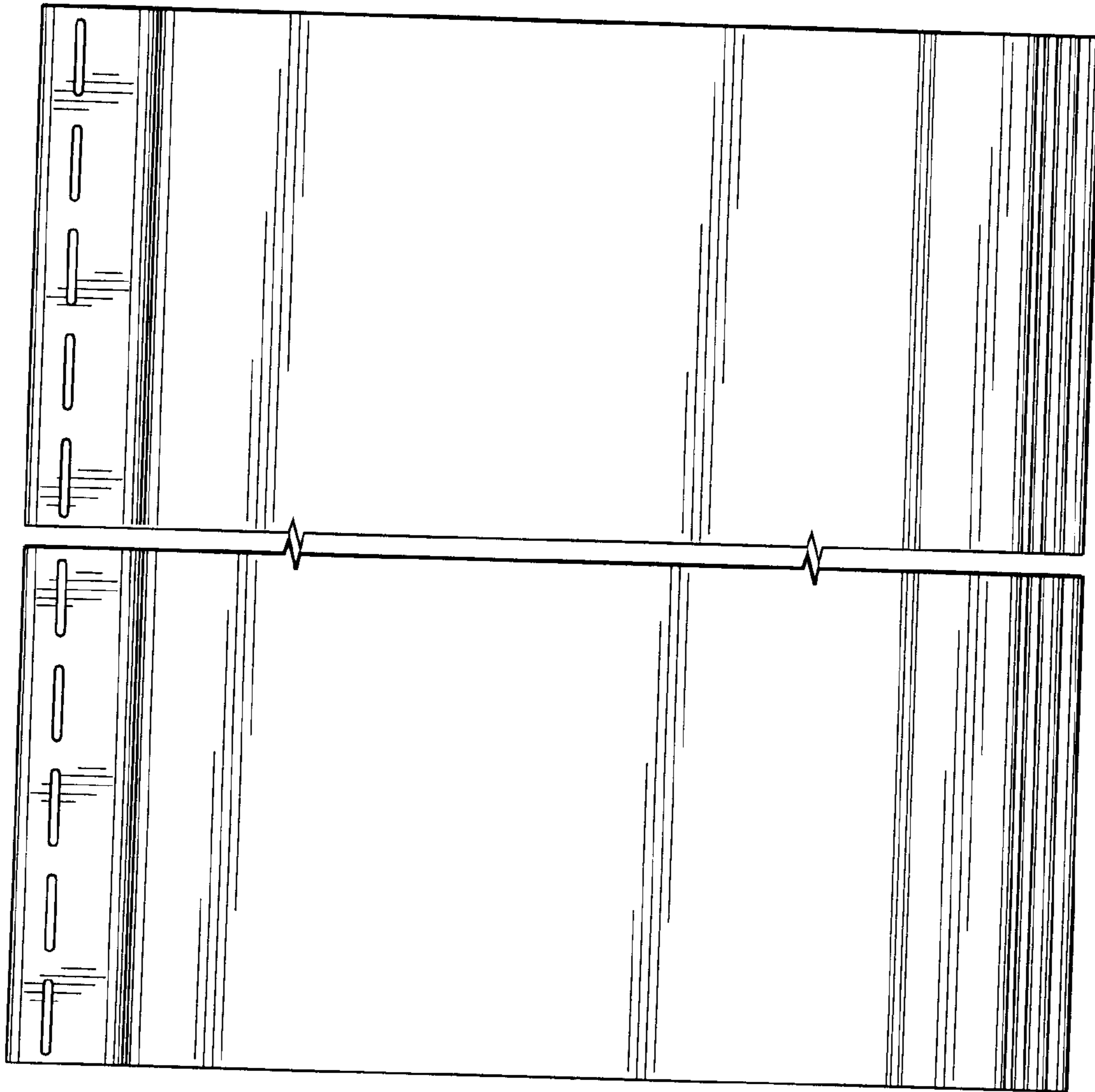


FIG. 7

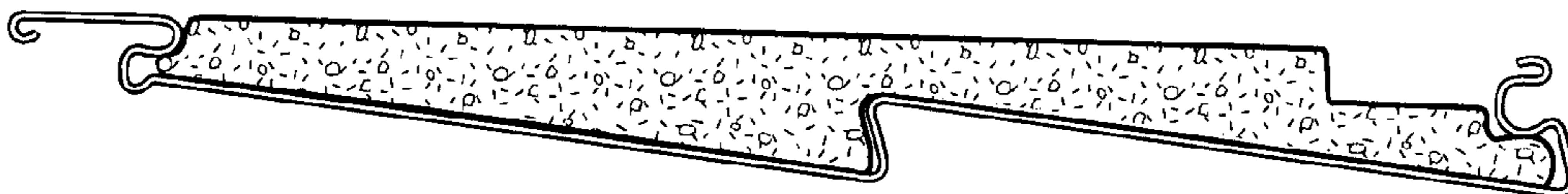


FIG. 6

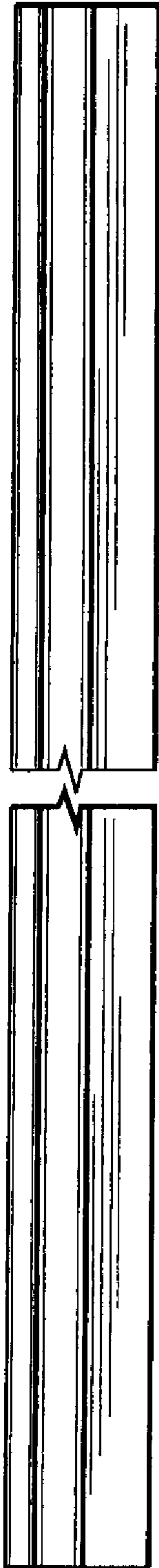


FIG. 8

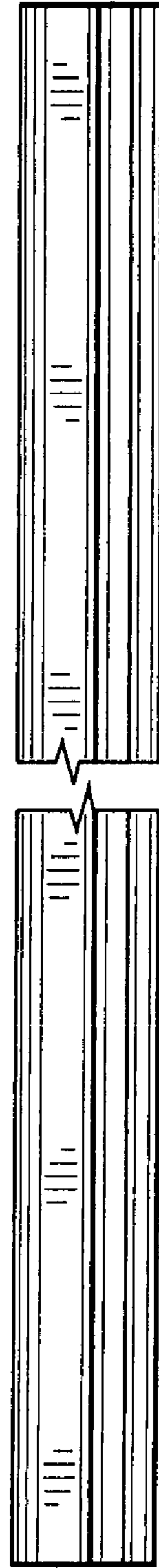


FIG. 9