



US00D530829S

(12) **United States Design Patent**  
**Haymann et al.**

(10) **Patent No.:** **US D530,829 S**

(45) **Date of Patent:** **\*\* Oct. 24, 2006**

(54) **SHADE STRUCTURE**

(75) Inventors: **Gary Haymann**, Dallas, TX (US);  
**Felipe Peña**, South Lake, TX (US)

(73) Assignee: **USA Shade & Fabric Structures, Inc.**,  
Dallas, TX (US)

(\*\*) Term: **14 Years**

(21) Appl. No.: **29/244,118**

(22) Filed: **Dec. 5, 2005**

(51) **LOC (8) Cl.** ..... **25-02**

(52) **U.S. Cl.** ..... **D25/56**

(58) **Field of Classification Search** ..... D25/56;  
135/90, 97, 121, 124, 122, 906, 908; 160/38;  
D21/837; 52/3, 23

See application file for complete search history.

(56) **References Cited**

**U.S. PATENT DOCUMENTS**

D185,630 S \* 7/1959 Dorstewitz et al. .... D25/56

5,711,337 A \* 1/1998 McKenney ..... 135/121  
5,778,613 A \* 7/1998 Thomson ..... 52/222  
5,967,162 A \* 10/1999 Bolton ..... 135/122  
D432,665 S \* 10/2000 Chipman et al. .... D25/56  
D472,980 S \* 4/2003 Imai ..... D25/56

\* cited by examiner

*Primary Examiner*—Doris Clark

(74) *Attorney, Agent, or Firm*—David W. Carstens;  
Carstens & Cahoon, LLP

(57) **CLAIM**

The ornamental design for an shade structure, as shown.

**DESCRIPTION**

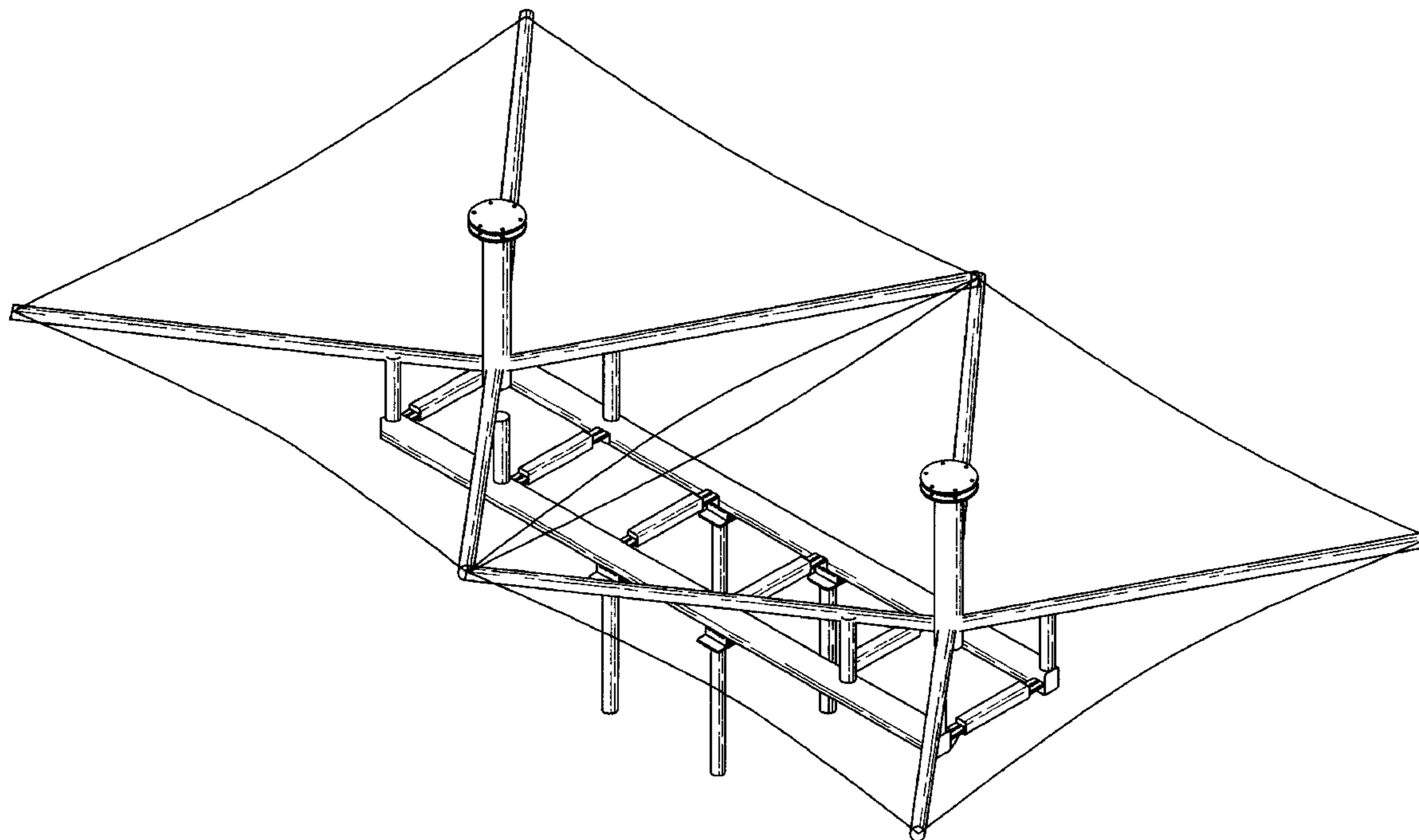
FIG. 1 is a perspective view of the shade structure embody-  
ing the present invention;

FIG. 2 is a side view of the shade structure;

FIG. 3 is a front view of the shade structure; and,

FIG. 4 is a top view of the shade structure.

**1 Claim, 4 Drawing Sheets**



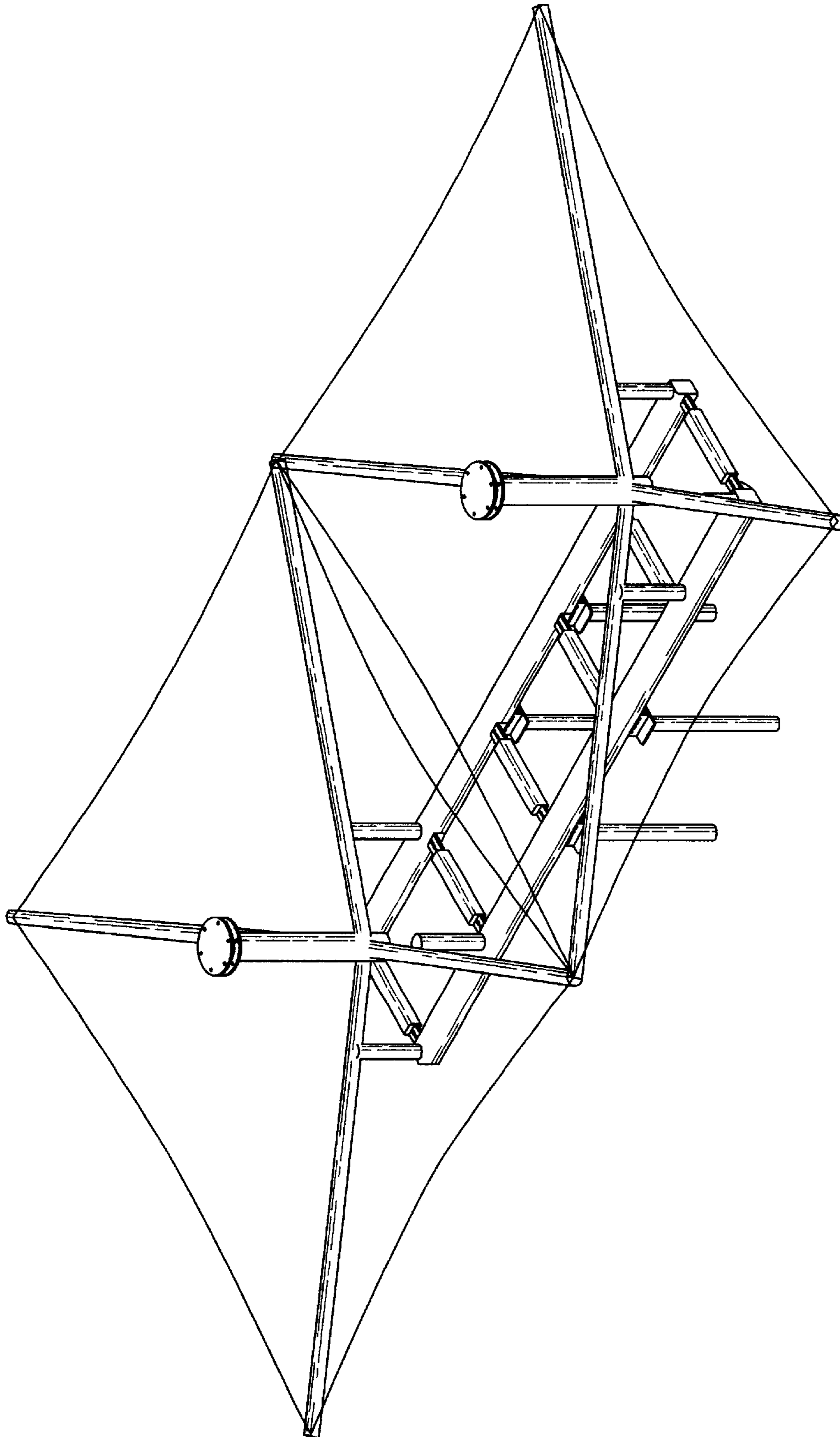
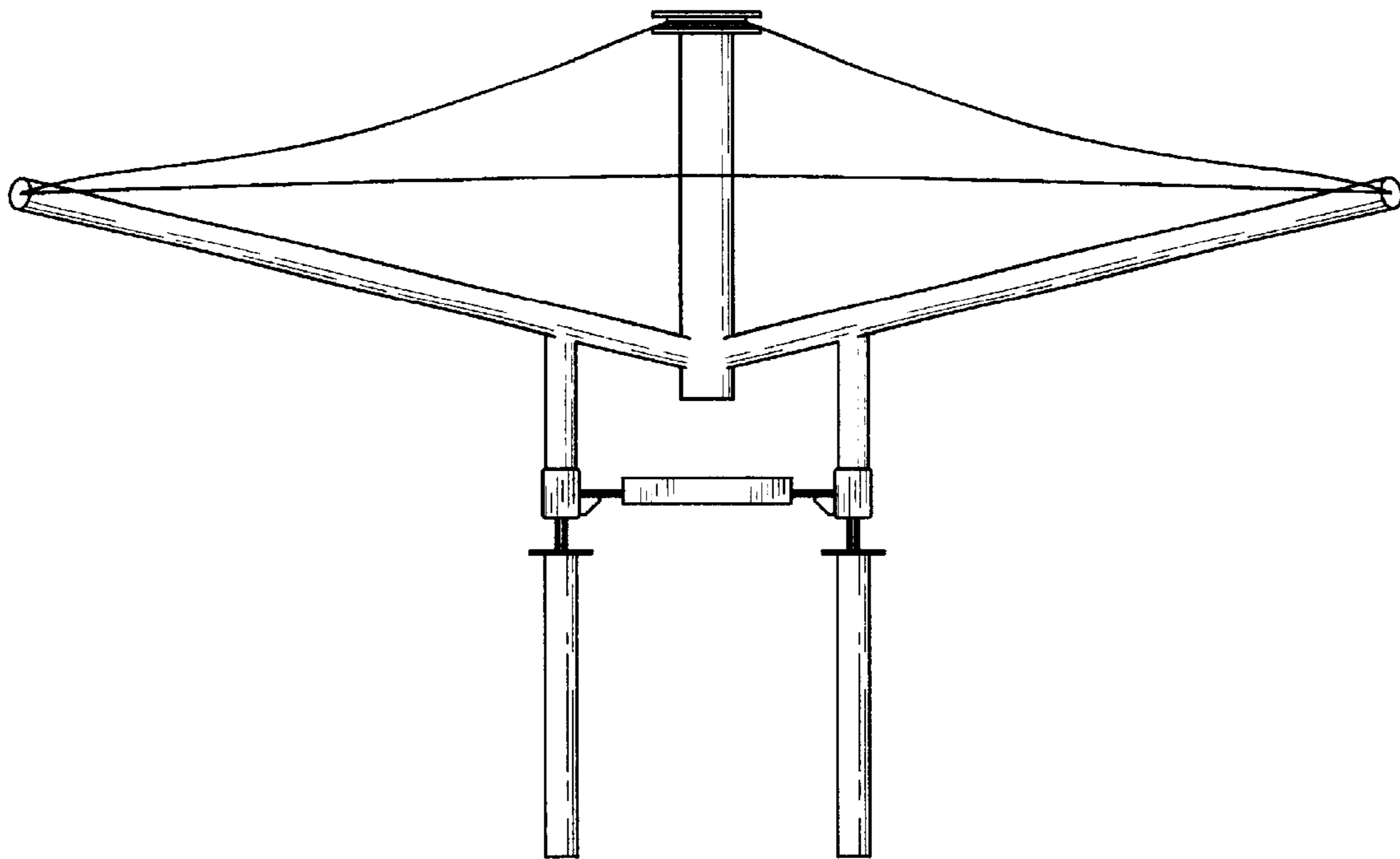


FIG. 1



**FIG. 2**

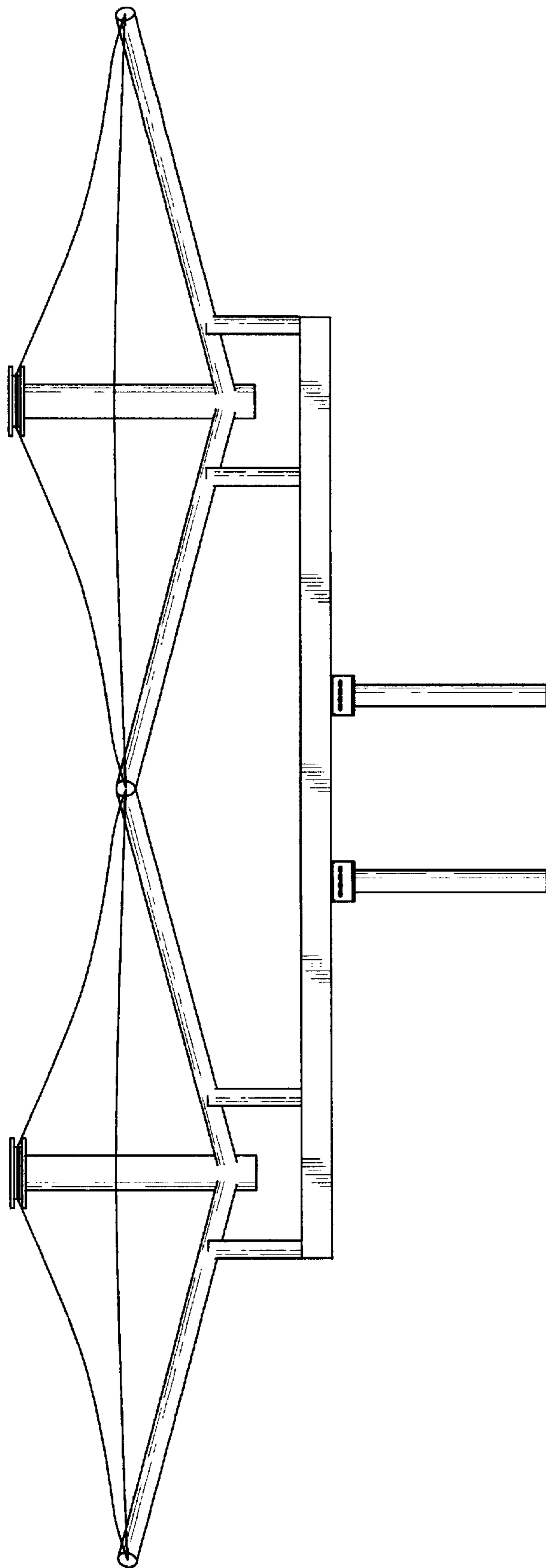


FIG. 3

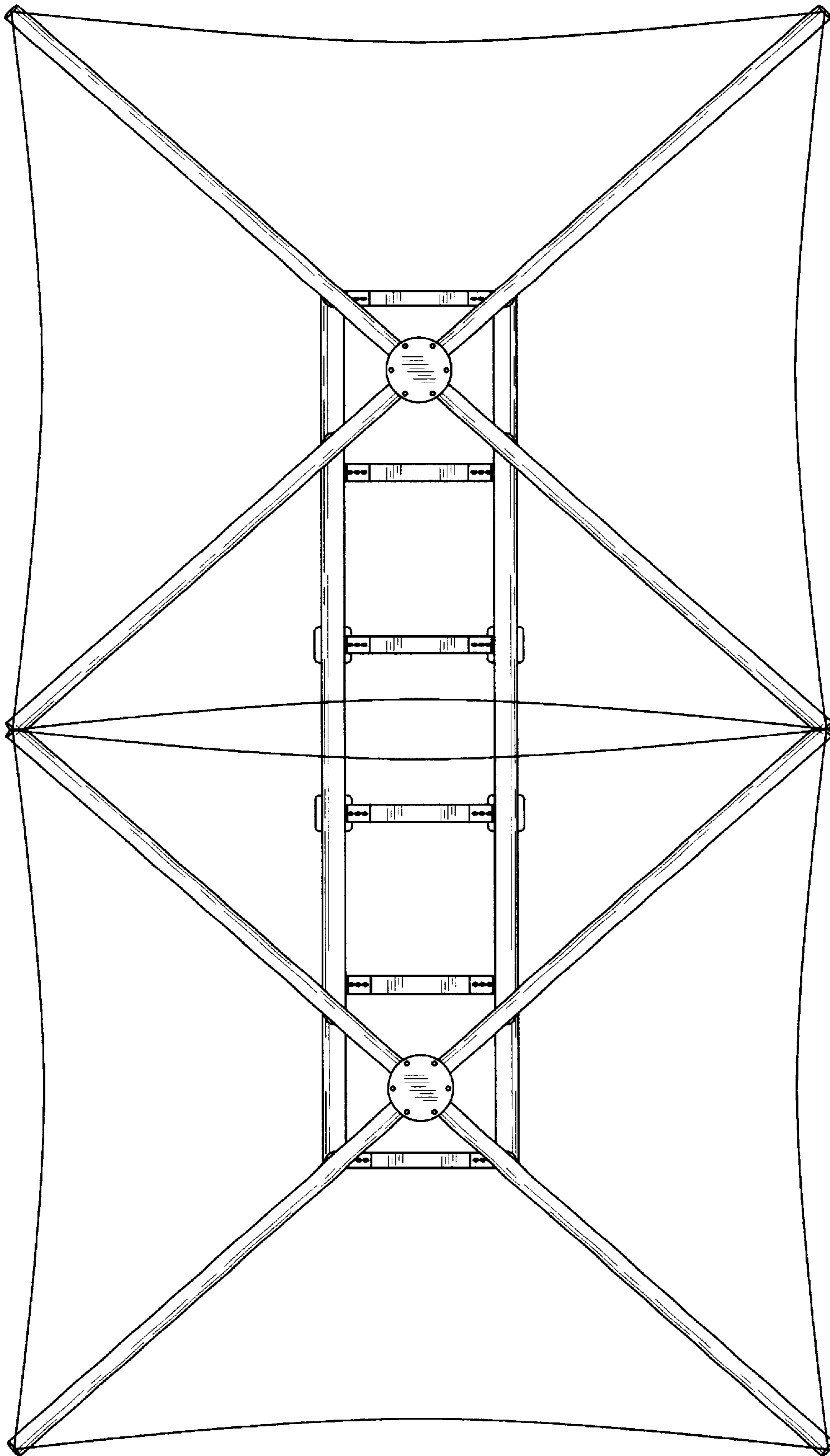


FIG. 4