



US00D530826S

(12) **United States Design Patent**  
**Rich et al.**

(10) **Patent No.:** **US D530,826 S**  
(45) **Date of Patent:** **\*\* Oct. 24, 2006**

(54) **CHEMICAL REAGENT TEST SLIDE**

(75) Inventors: **Carl Russell Rich**, Falmouth, ME (US); **James M. Sellers**, Newburyport, MA (US); **Haydn B. Taylor**, Nashua, NH (US)

(73) Assignee: **IDEXX Laboratories, Inc.**, Westbrook, ME (US)

(\*\*) Term: **14 Years**

(21) Appl. No.: **29/218,589**

(22) Filed: **Dec. 3, 2004**

**Related U.S. Application Data**

(63) Continuation of application No. 11/001,994, filed on Dec. 2, 2004, and a continuation-in-part of application No. 10/639,031, filed on Aug. 12, 2003.

(51) **LOC (8) Cl.** ..... **24-01**

(52) **U.S. Cl.** ..... **D24/225**

(58) **Field of Classification Search** ..... D24/216,  
D24/224-232; 422/57-58, 63-65, 67, 99-100,  
422/104; 436/43, 47-48

See application file for complete search history.

(56) **References Cited**

**U.S. PATENT DOCUMENTS**

4,849,340 A \* 7/1989 Oberhardt ..... 422/57

D328,136 S \* 7/1992 Hayakawa ..... D24/225  
D456,082 S \* 4/2002 Bouse et al. .... D24/223  
D456,083 S \* 4/2002 Clark et al. .... D24/225  
D468,437 S \* 1/2003 McMenamy et al. .... D24/216  
D512,512 S \* 12/2005 Bell et al. .... D24/225  
7,005,109 B1 \* 2/2006 Husar ..... 422/99  
2004/0028558 A1 \* 2/2004 Pollock et al. .... 422/58

\* cited by examiner

*Primary Examiner*—Robert A. Delehanty

*Assistant Examiner*—Mark Cavanna

(74) *Attorney, Agent, or Firm*—Gerald T. Bodner

(57) **CLAIM**

The ornamental design of a chemical reagent test slide, as shown and described.

**DESCRIPTION**

FIG. 1 is a top perspective view of a chemical reagent test slide showing our new design;

FIG. 2 is a bottom perspective view thereof;

FIG. 3 is a top plan view thereof;

FIG. 4 is a front elevational view thereof;

FIG. 5 is a right elevational view thereof, a left elevational view thereof being the same as the right elevational view shown in FIG. 5;

FIG. 6 is a bottom plan view thereof; and,

FIG. 7 is a rear elevational view thereof.

**1 Claim, 3 Drawing Sheets**

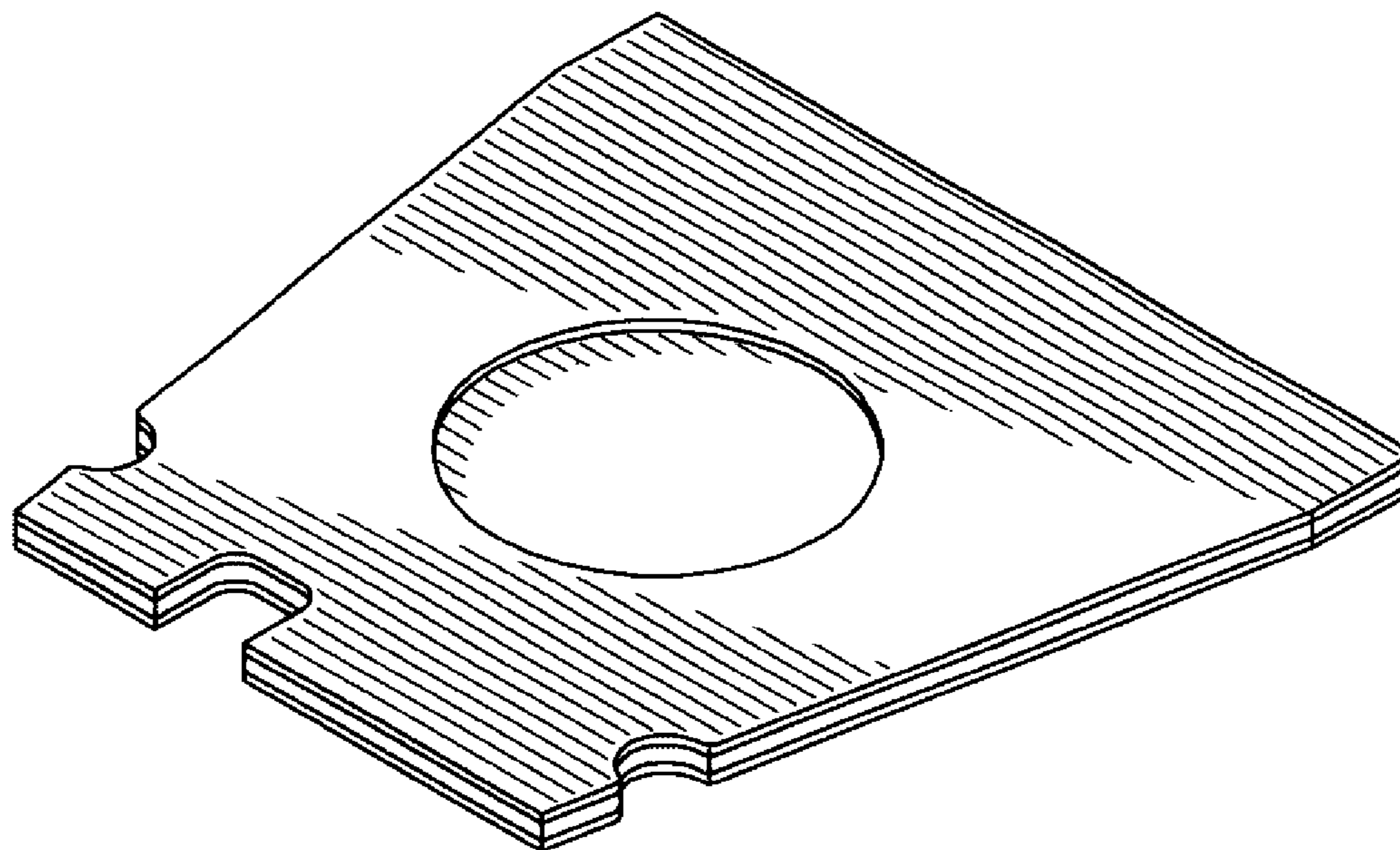


FIG. 1

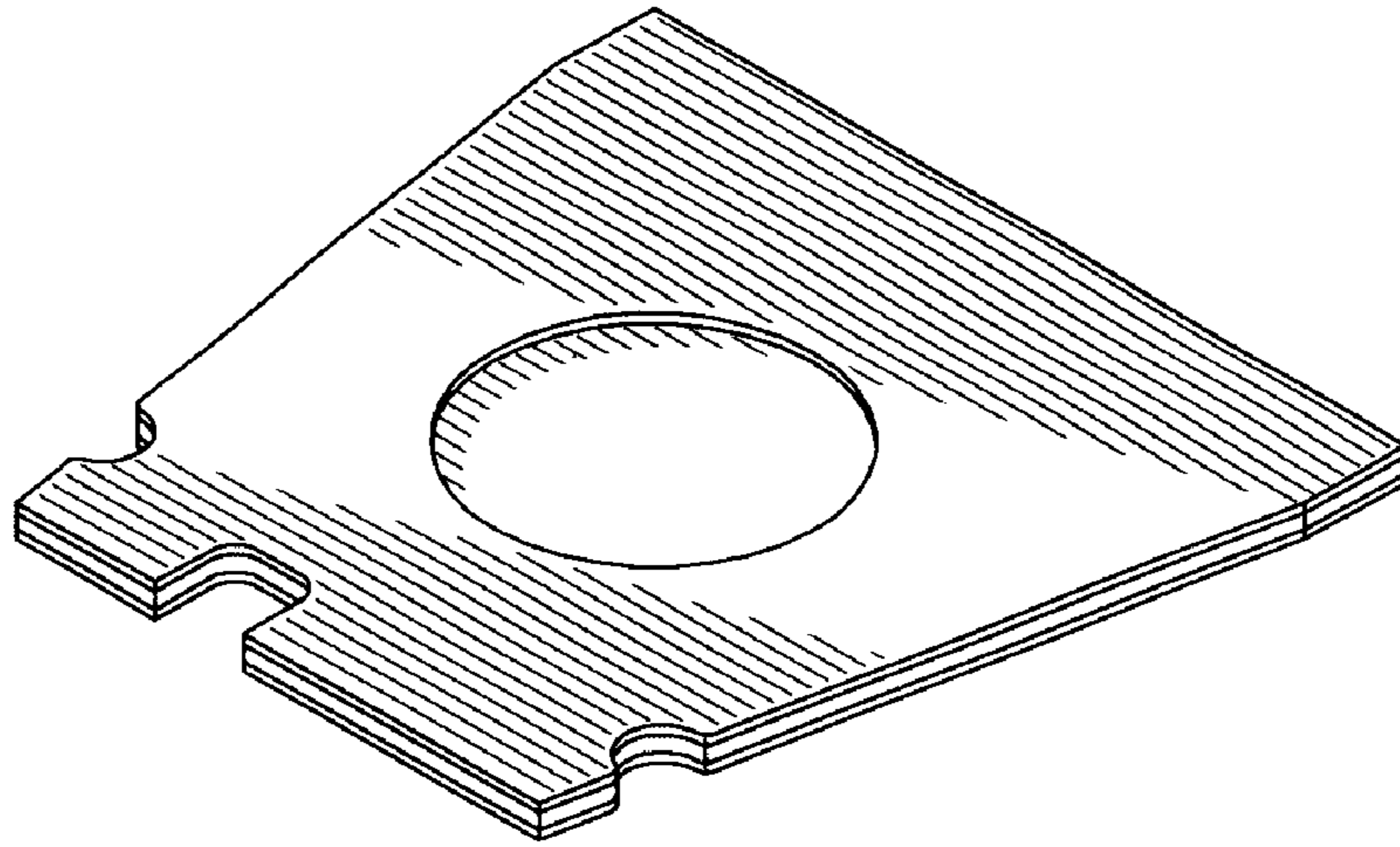


FIG. 2

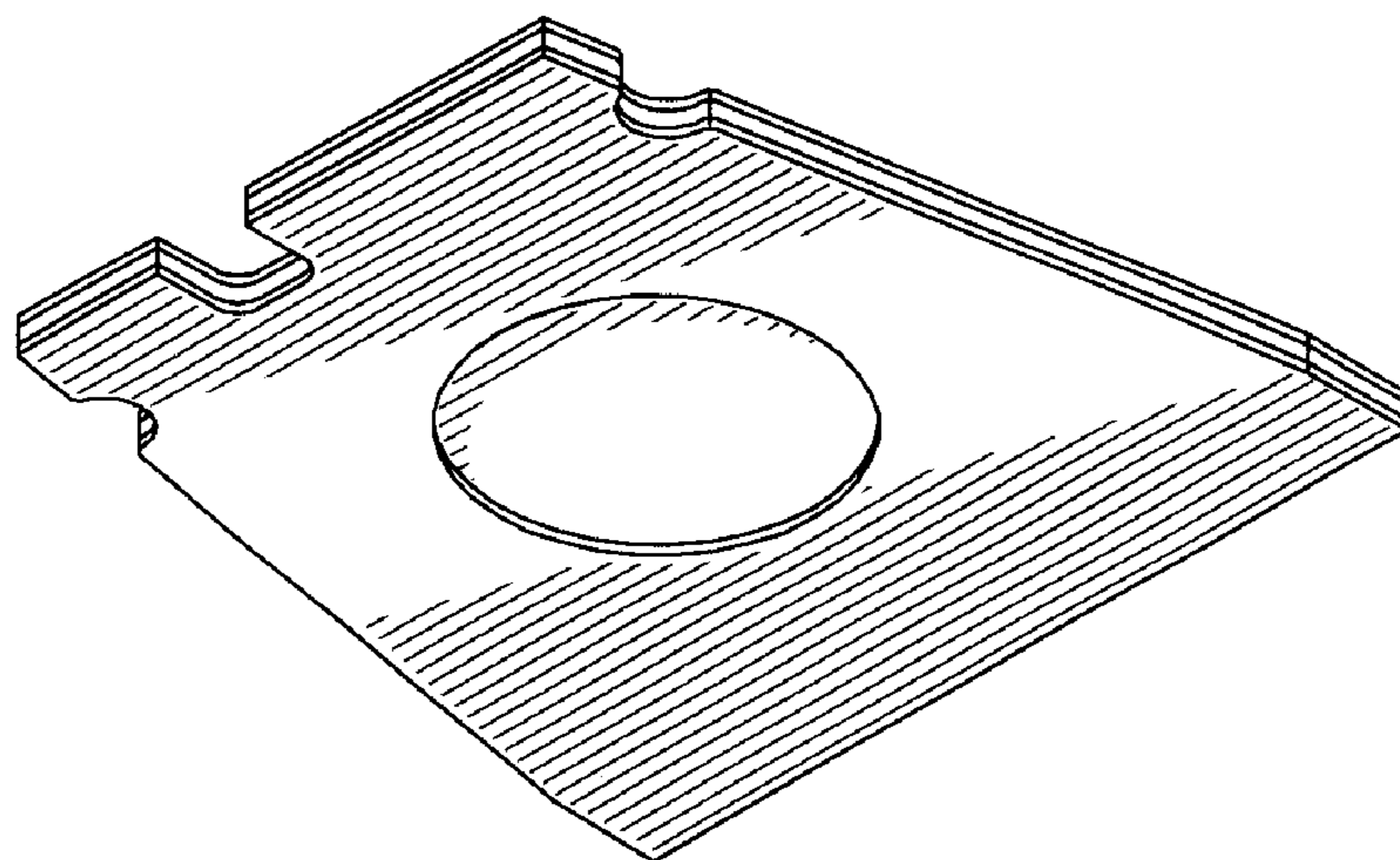


FIG. 3

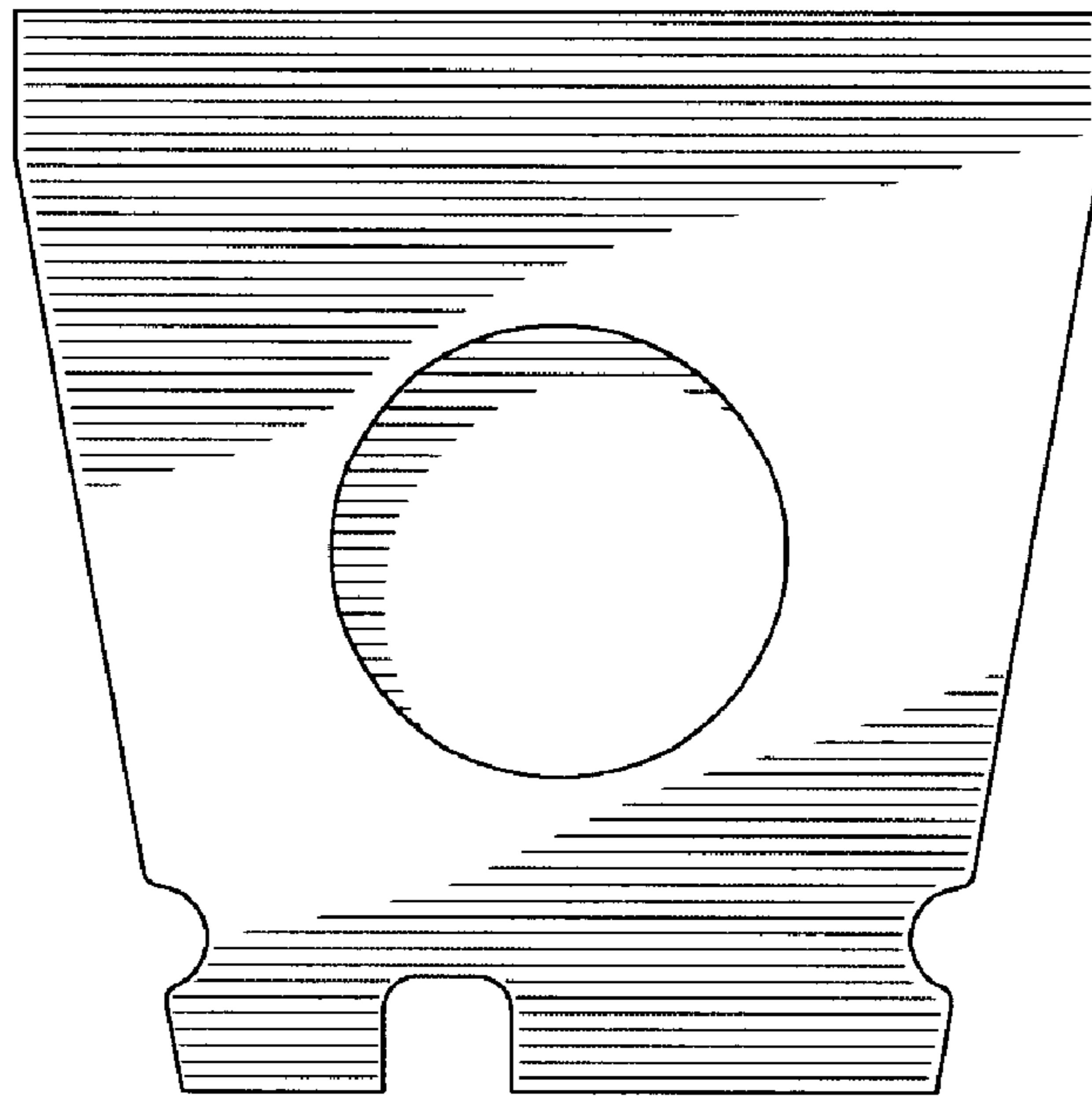


FIG. 4



FIG. 5



FIG. 6

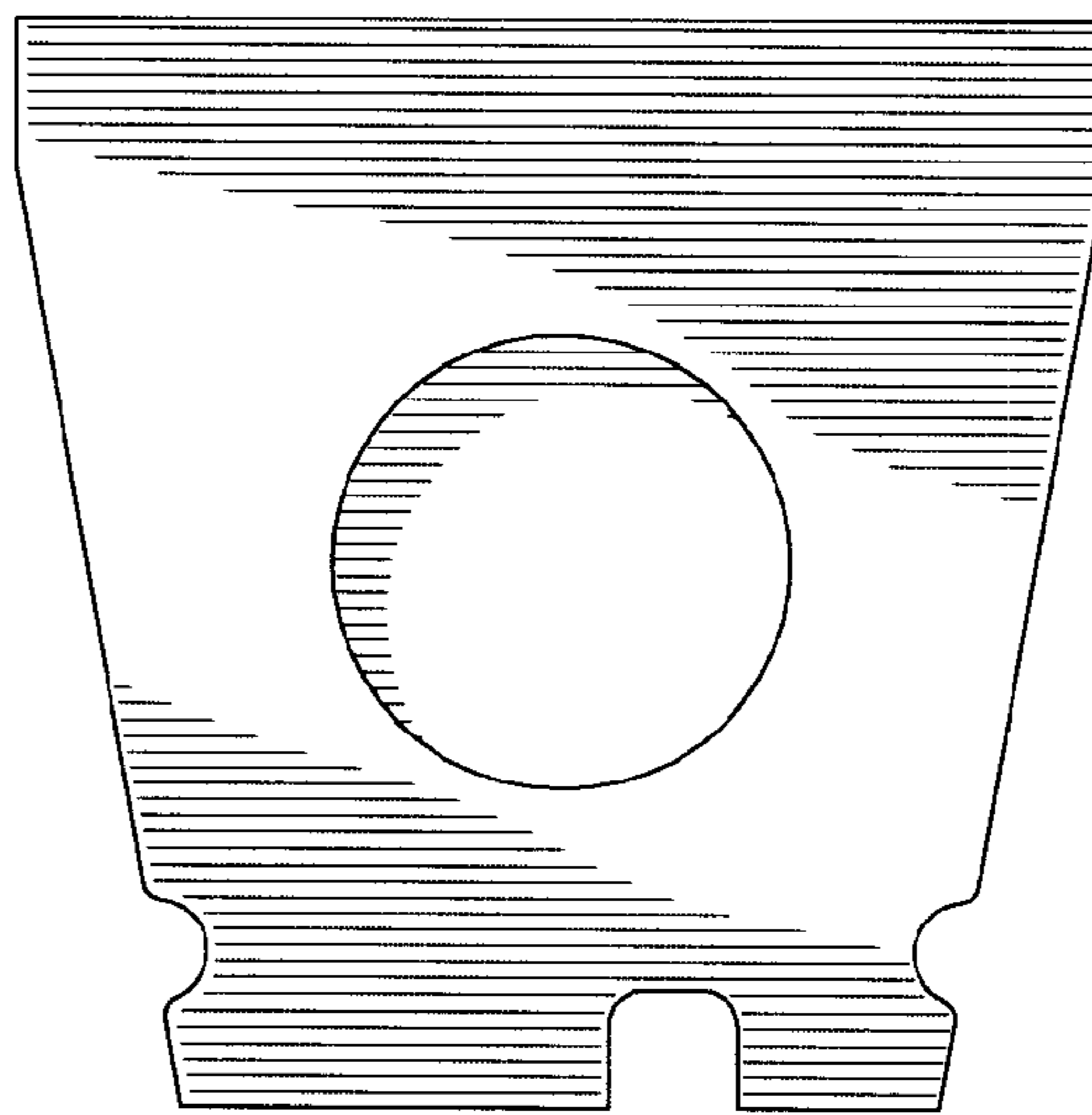


FIG. 7

