



US00D530825S

(12) **United States Design Patent**
Lee et al.

(10) **Patent No.: US D530,825 S**
(45) **Date of Patent: ** Oct. 24, 2006**

(54) **HANDHELD MEDICAL TEST DEVICE WITH
REMOVABLE CAP**

(75) Inventors: **Tony Lee**, Worcester (GB); **Mette
Flakstad**, London (GB)

(73) Assignee: **Inverness Medical Switzerland
GmbH**, Zug (CH)

(**) Term: **14 Years**

(21) Appl. No.: **29/227,105**

(22) Filed: **Apr. 6, 2005**

(30) **Foreign Application Priority Data**

Oct. 6, 2004 (GB) 3018981

(51) **LOC (8) Cl.** **24-02**

(52) **U.S. Cl.** **D24/223**

(58) **Field of Classification Search** D24/186,
D24/216, 223-225; 422/56, 58, 61; 436/514,
436/518

See application file for complete search history.

(56) **References Cited**

U.S. PATENT DOCUMENTS

- D310,265 S * 8/1990 Mochnal et al. D24/223
- D341,663 S * 11/1993 Coulter D24/225
- D369,868 S * 5/1996 Nazareth et al. D24/225
- 5,622,871 A * 4/1997 May et al. 436/514
- D379,662 S 6/1997 Pearson et al. D24/223
- D379,663 S 6/1997 Pearson et al. D24/223
- D383,549 S * 9/1997 Arnett et al. D24/223
- D390,667 S * 2/1998 Nazareth D24/223
- D394,317 S 5/1998 Carp D24/223
- D412,990 S * 8/1999 Woolston et al. D24/223
- D421,310 S * 2/2000 Shantz D24/223
- 6,046,057 A * 4/2000 Nazareth et al. 436/514
- 6,146,590 A * 11/2000 Mazurek et al. 422/58
- 6,303,081 B1 * 10/2001 Mink et al. 422/61
- 6,372,516 B1 * 4/2002 Sun 436/518
- 6,669,908 B1 * 12/2003 Weyker et al. 422/58
- 6,740,293 B1 * 5/2004 Deng 422/58

- D491,274 S * 6/2004 Dubniczki et al. D24/223
- 6,767,714 B1 * 7/2004 Nazareth et al. 435/7.5
- D493,893 S * 8/2004 Wang D24/223
- D497,673 S 10/2004 Long D24/223
- D497,999 S 11/2004 Long D24/223
- D499,812 S * 12/2004 Wu D24/223
- 6,855,561 B1 * 2/2005 Jerome et al. 436/514
- 6,867,051 B1 * 3/2005 Anderson et al. 436/518
- D509,901 S * 9/2005 Phelan et al. D24/223
- 6,951,631 B1 * 10/2005 Catt et al. 422/56
- D511,574 S * 11/2005 Wendling D24/225
- D512,156 S * 11/2005 Wendling D24/225
- 6,998,273 B1 * 2/2006 Fleming et al. 436/514

OTHER PUBLICATIONS

U.S. Appl. No. 29/227,103, filed Apr. 6, 2005, Lee, Tony, et al.

* cited by examiner

Primary Examiner—Robert A. Delehanty

Assistant Examiner—Mark Cavanna

(74) *Attorney, Agent, or Firm*—Scott E. Kamholz; Foley Hoag LLP

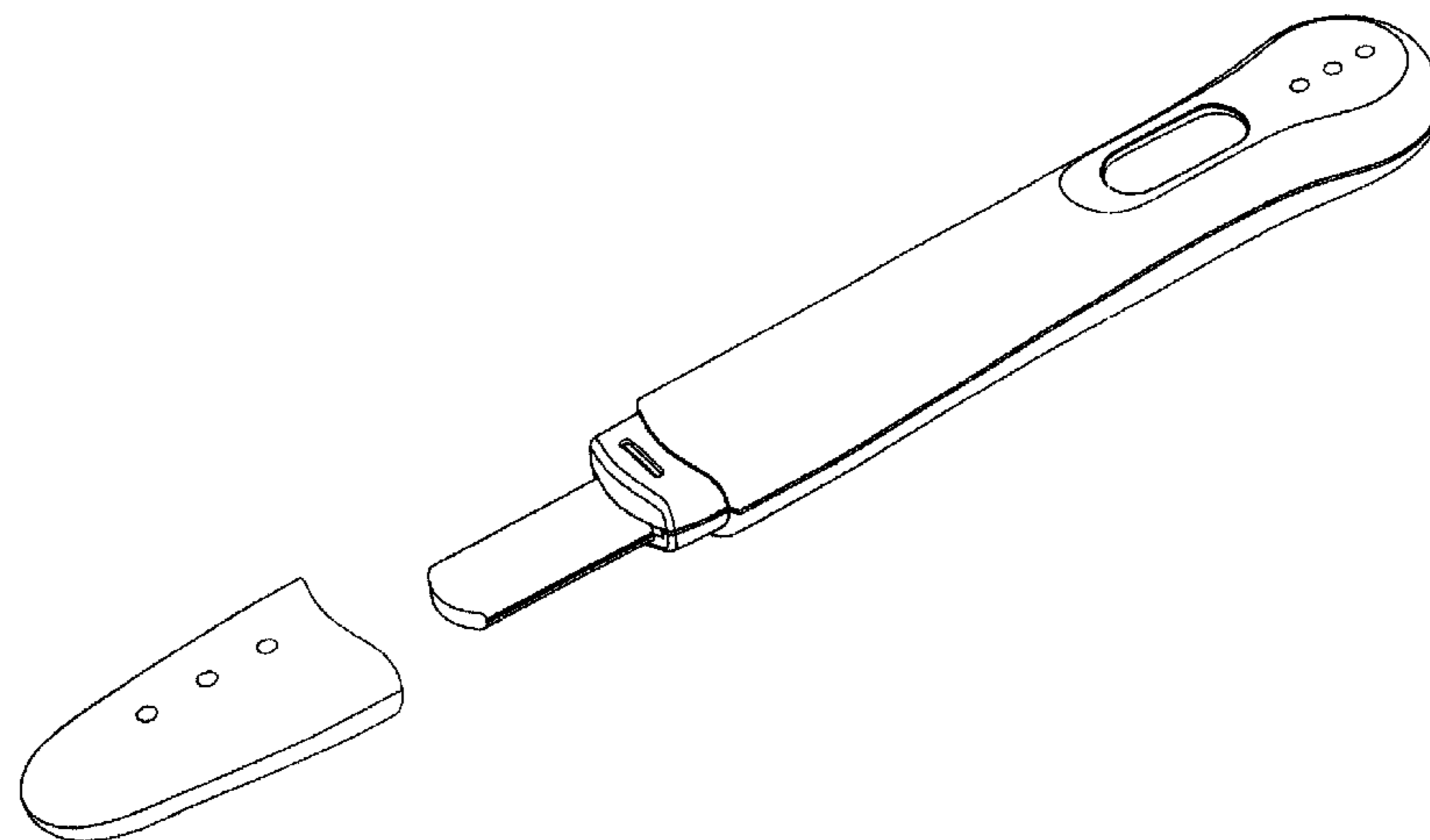
(57) **CLAIM**

The ornamental design for a handheld medical test device with removable cap, as shown and described.

DESCRIPTION

FIG. 1 is a top plan view of a handheld medical test device showing the design;
 FIG. 2 is a bottom plan view thereof;
 FIG. 3 is a left side elevation view thereof, the right side being a mirror image thereof;
 FIG. 4 is a front elevation view of the design;
 FIG. 5 is a rear elevation view thereof;
 FIG. 6 is a perspective view of the top and left side thereof;
 and,
 FIG. 7 is another perspective view of the device with its cap removed.

1 Claim, 2 Drawing Sheets



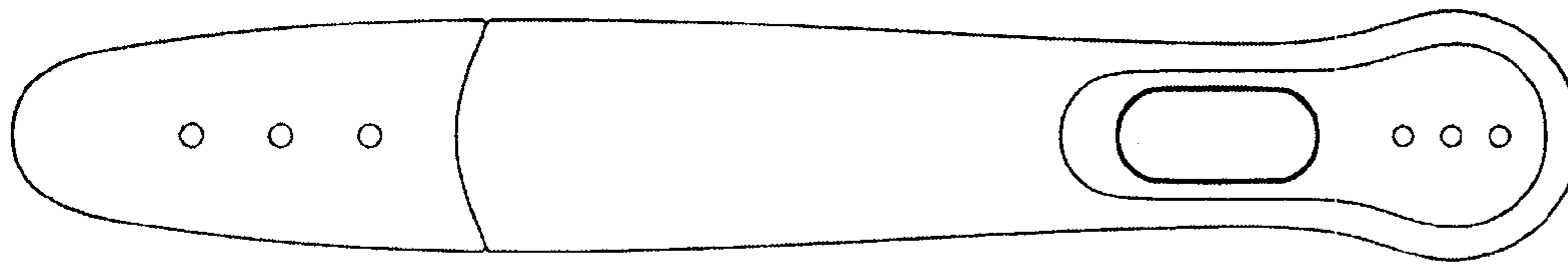


FIG. 1

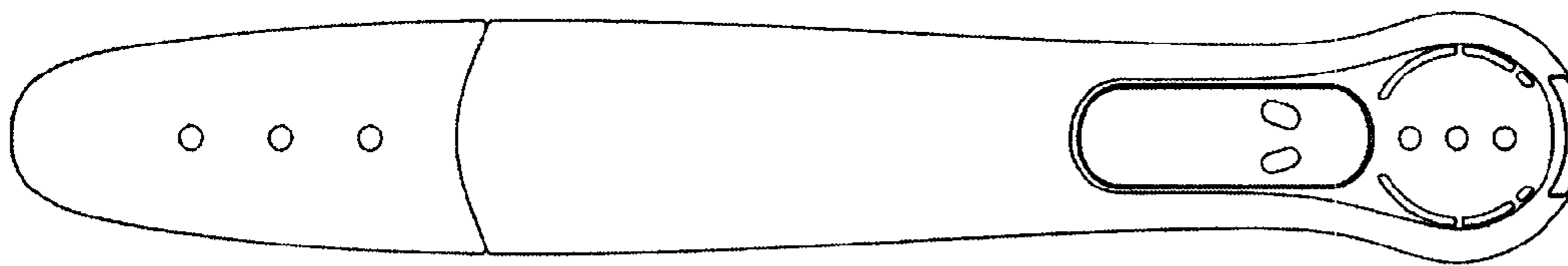


FIG. 2

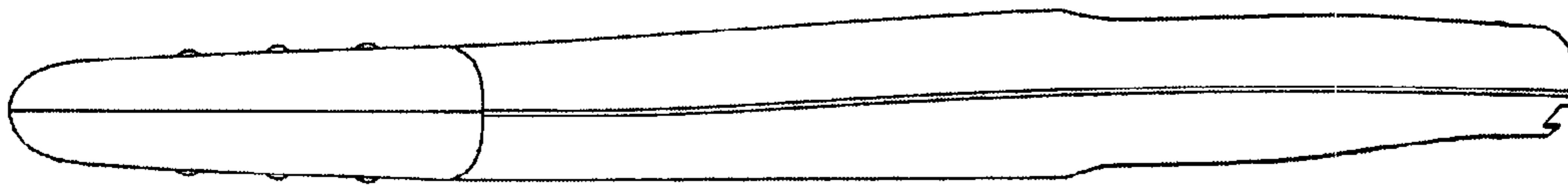


FIG. 3

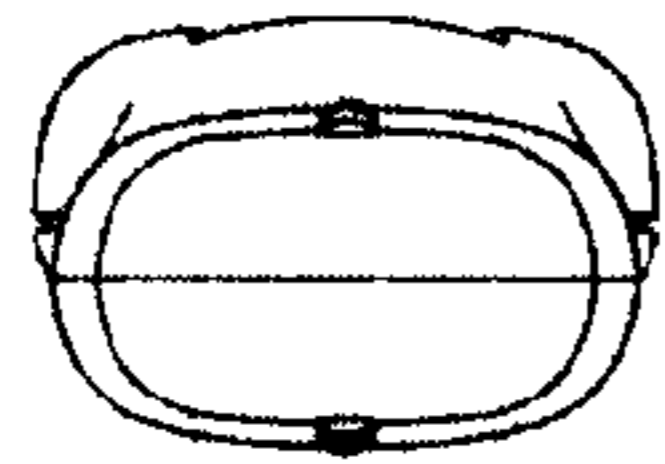


FIG. 4

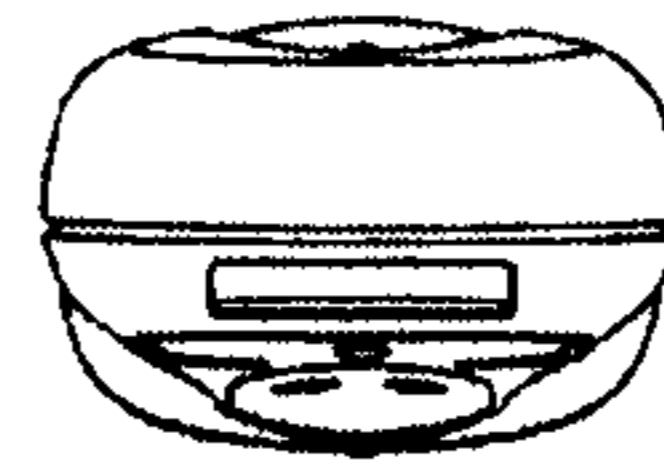


FIG. 5

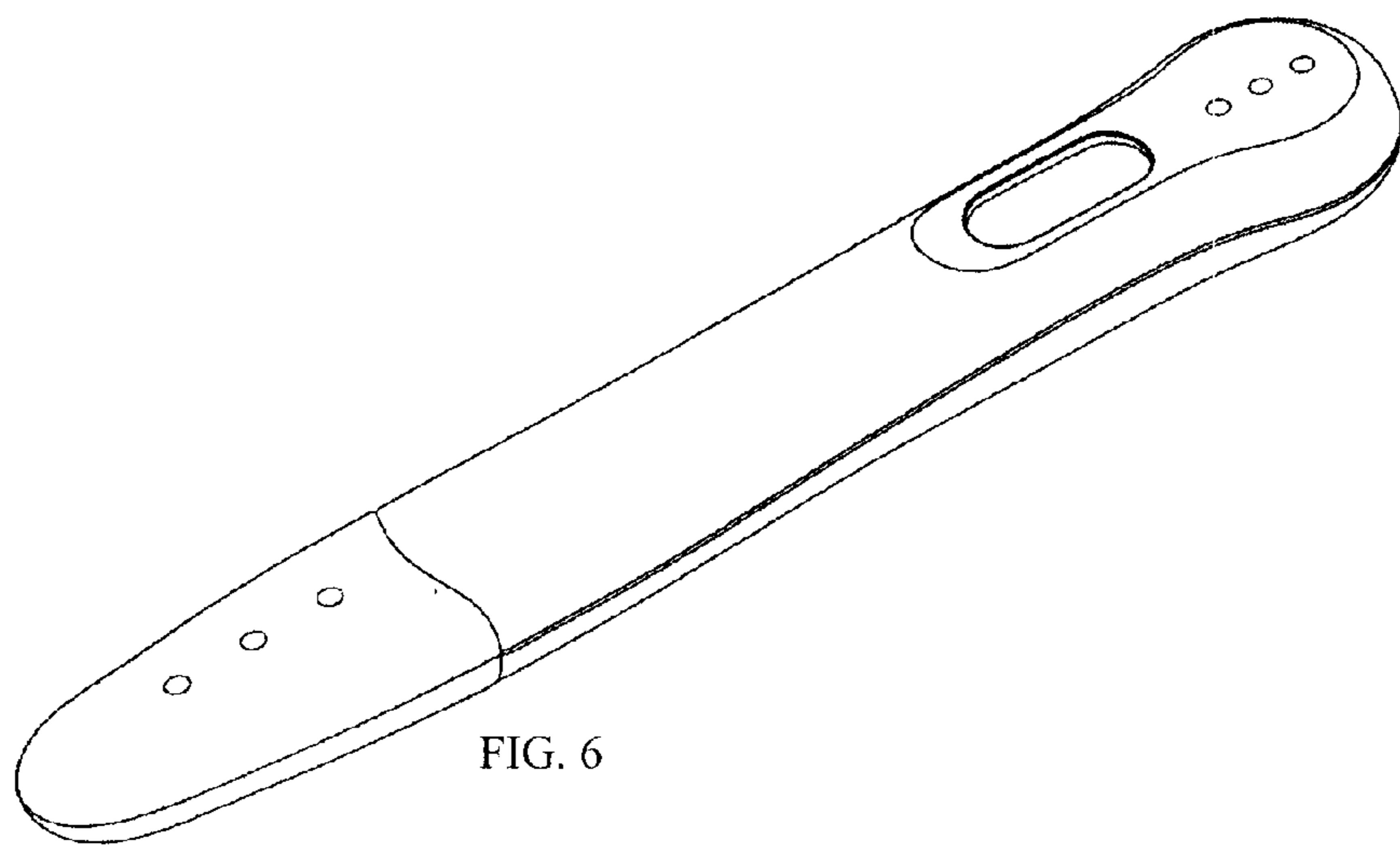


FIG. 6

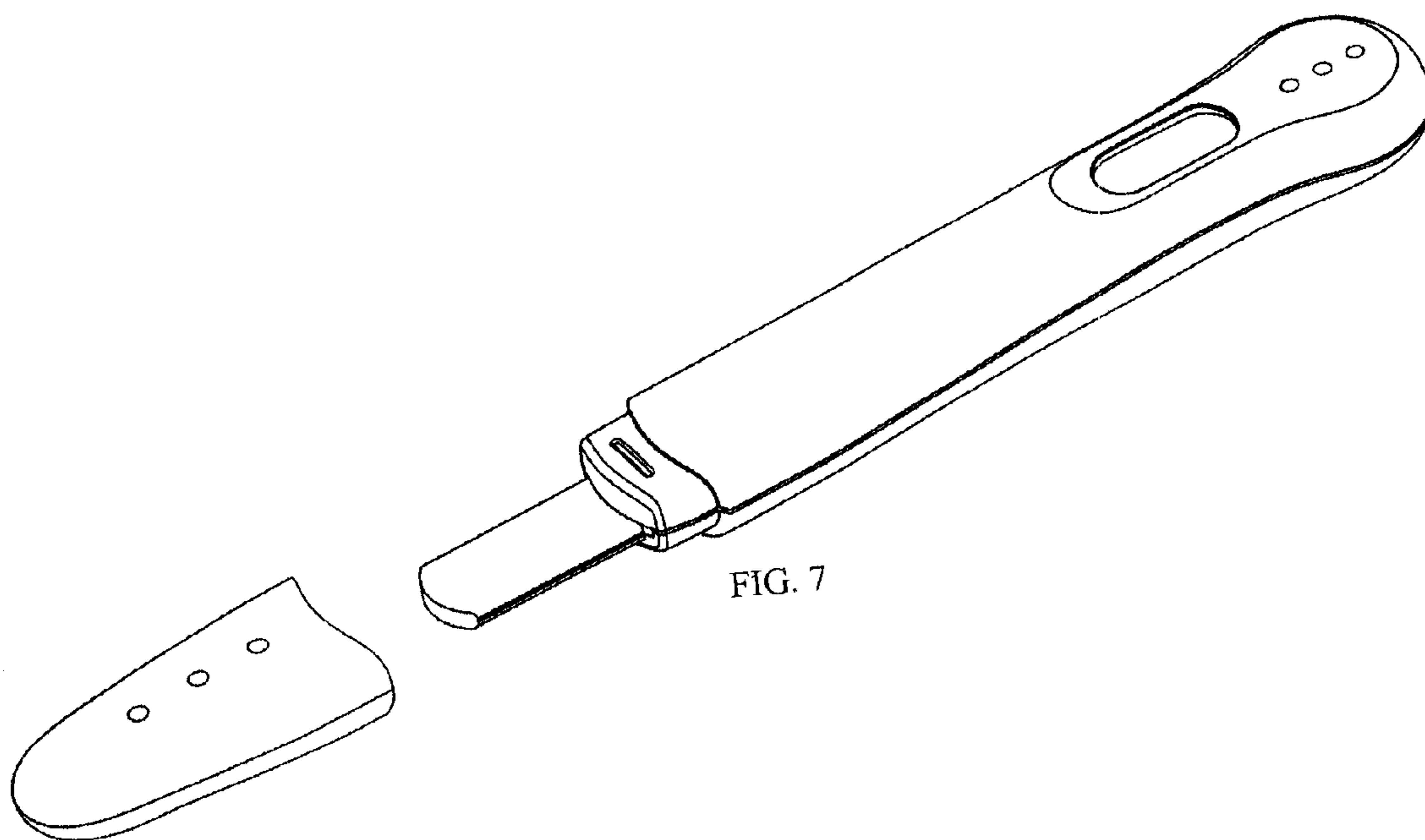


FIG. 7