



US00D530824S

(12) **United States Design Patent**
Bennison

(10) **Patent No.:** **US D530,824 S**

(45) **Date of Patent:** **** Oct. 24, 2006**

- (54) **STERILIZATION TRAY DEVICE**
- (75) Inventor: **Martin Frederick Bennison**, London (GB)
- (73) Assignee: **KeyMed (Medical & Industrial Equipment) Limited**, Essex (GB)
- (**) Term: **14 Years**

5,482,067 A *	1/1996	Wittrock et al.	206/363
5,540,901 A *	7/1996	Riley	422/300
5,725,097 A *	3/1998	Bettenhausen et al.	206/439
5,759,502 A *	6/1998	Spencer et al.	422/300
5,913,422 A *	6/1999	Cote et al.	206/370
5,993,754 A *	11/1999	Lemmen et al.	422/297
6,012,577 A *	1/2000	Lewis et al.	206/370
D421,309 S *	2/2000	Riley et al.	D24/217
6,217,835 B1 *	4/2001	Riley et al.	422/297
6,244,447 B1 *	6/2001	Frieze et al.	211/85.13
6,331,280 B1 *	12/2001	Wood	422/300

- (21) Appl. No.: **29/228,579**
- (22) Filed: **Apr. 26, 2005**

(30) **Foreign Application Priority Data**

Oct. 27, 2004 (EM)	000248497-0002
Oct. 27, 2004 (EM)	000248497-0003
Oct. 27, 2004 (EM)	000248497-0001

- (51) **LOC (8) Cl.** **24-01**
 - (52) **U.S. Cl.** **D24/217**
 - (58) **Field of Classification Search** D24/156,
D24/216-232; 206/363, 379, 368-370, 438;
211/69-70; 422/26, 28, 33, 292, 295, 297,
422/300, 310; 433/77
- See application file for complete search history.

(56) **References Cited**

U.S. PATENT DOCUMENTS

4,798,292 A *	1/1989	Hauze	206/439
4,854,475 A *	8/1989	Riihimaki et al.	206/369
4,959,199 A *	9/1990	Brewer	422/300
5,284,632 A *	2/1994	Kudla et al.	422/297
5,346,075 A *	9/1994	Nichols et al.	422/300
5,384,103 A *	1/1995	Miller	422/310
5,433,929 A *	7/1995	Riihimaki et al.	422/297
5,451,379 A *	9/1995	Bowlin, Jr.	422/297

* cited by examiner

Primary Examiner—Robert A. Delehanty

Assistant Examiner—Mark Cavanna

(74) *Attorney, Agent, or Firm*—Smith, Gambrell & Russell, LLP

(57) **CLAIM**

The ornamental design for a sterilization tray device, as shown and described.

DESCRIPTION

FIG. 1 shows a top perspective view of a sterilization tray device of the present invention in the form of a sterilization tray;

FIG. 2 shows a top plan view;

FIG. 3 shows a front elevational view;

FIG. 4 shows a bottom plan view;

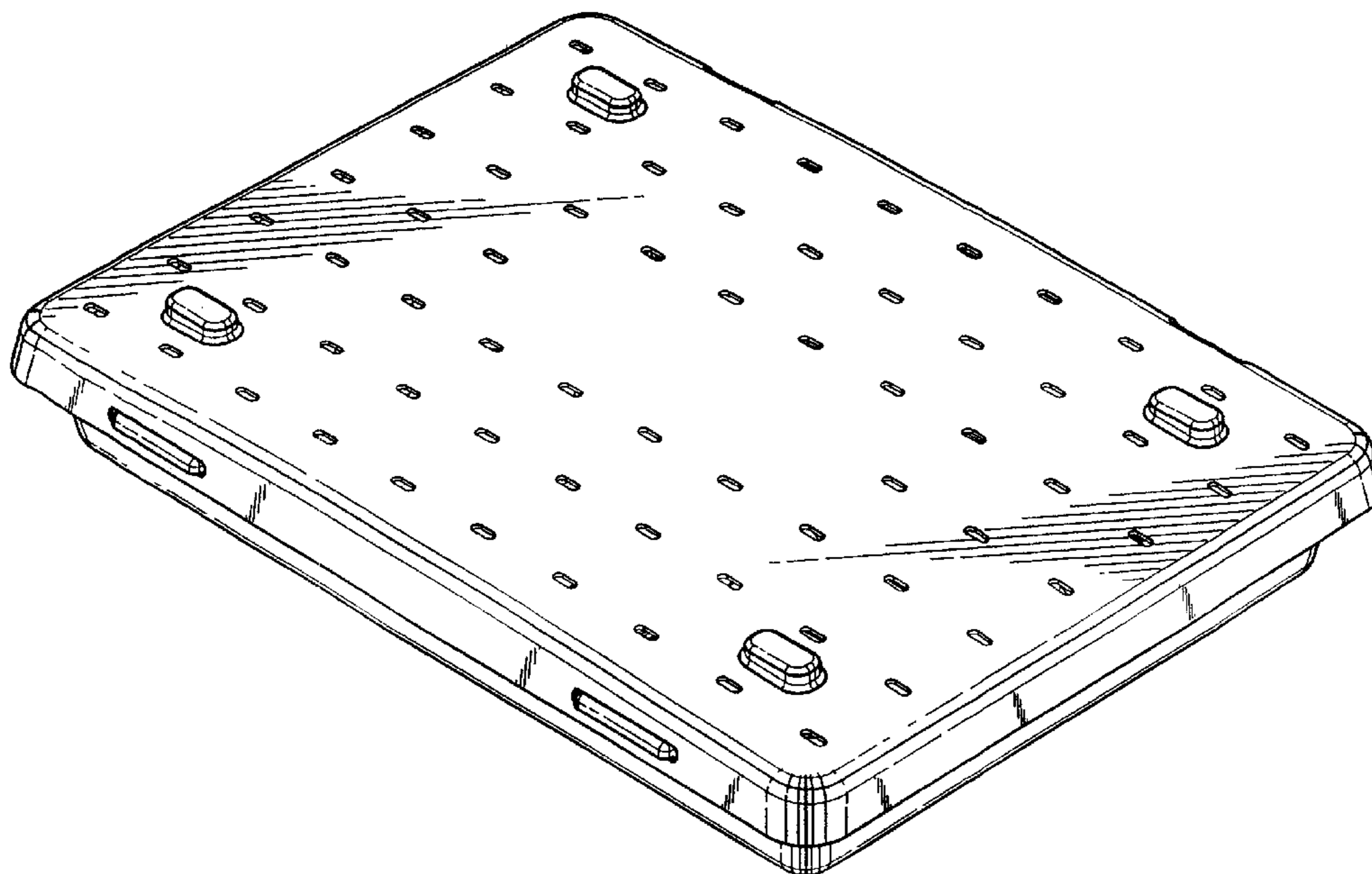
FIG. 5 shows a rear elevational view;

FIG. 6 shows a left side elevational view; and,

FIG. 7 shows a right side elevational view.

The sterilization tray device includes the lidded container of FIGS. 1-7 in which, for example, medical instruments can be placed in order to be sterilized.

1 Claim, 2 Drawing Sheets



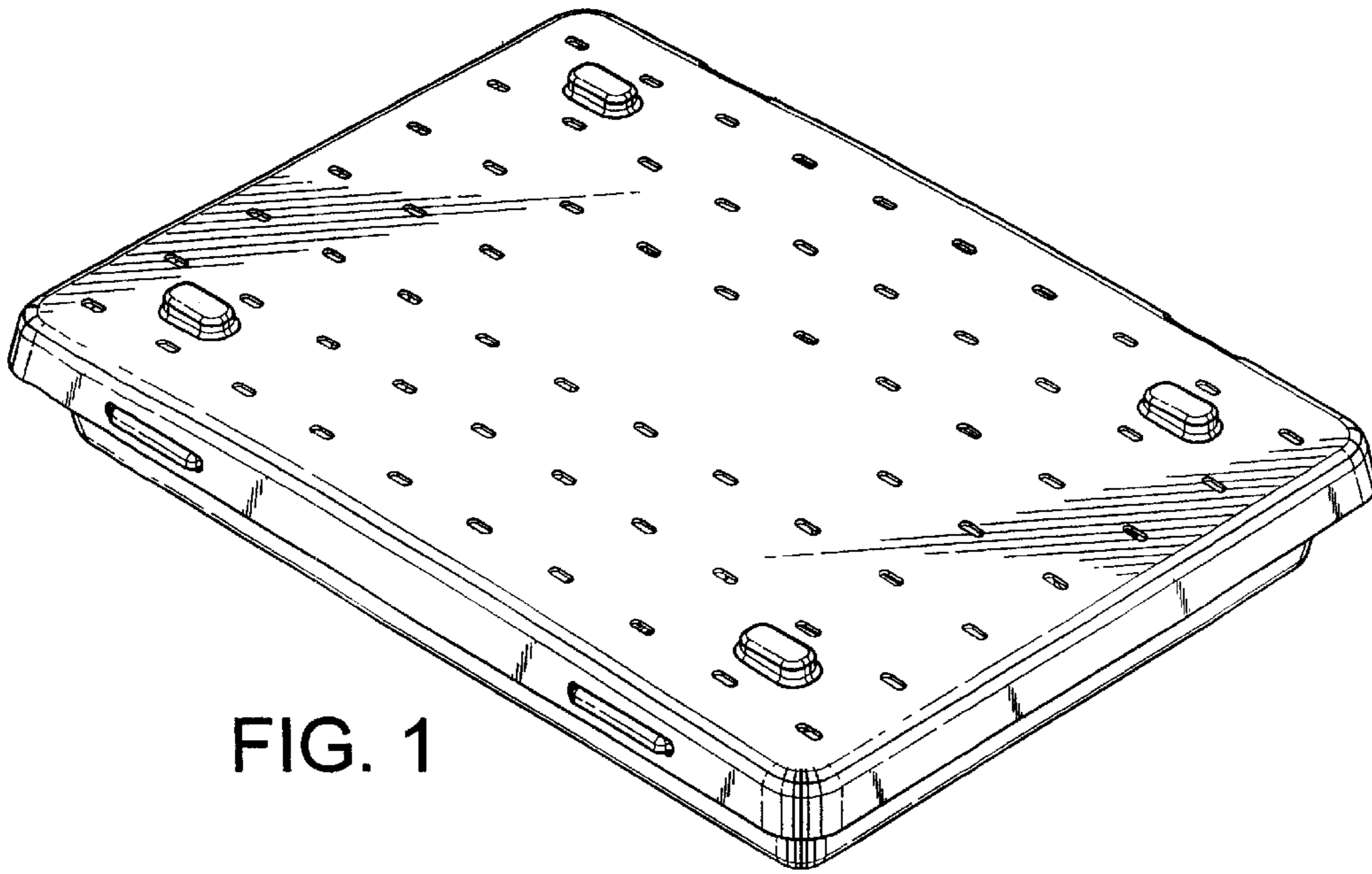


FIG. 1

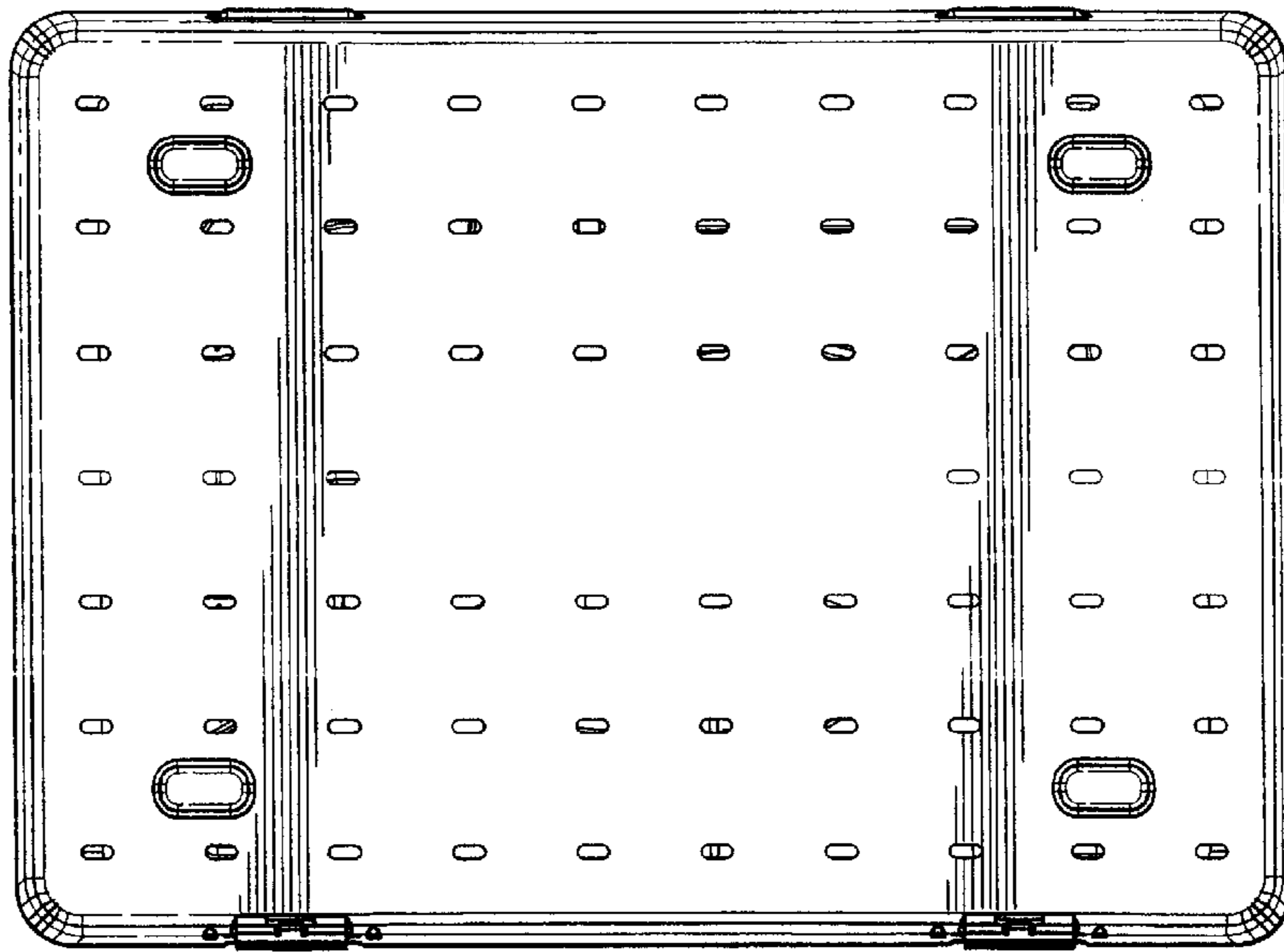


FIG. 2

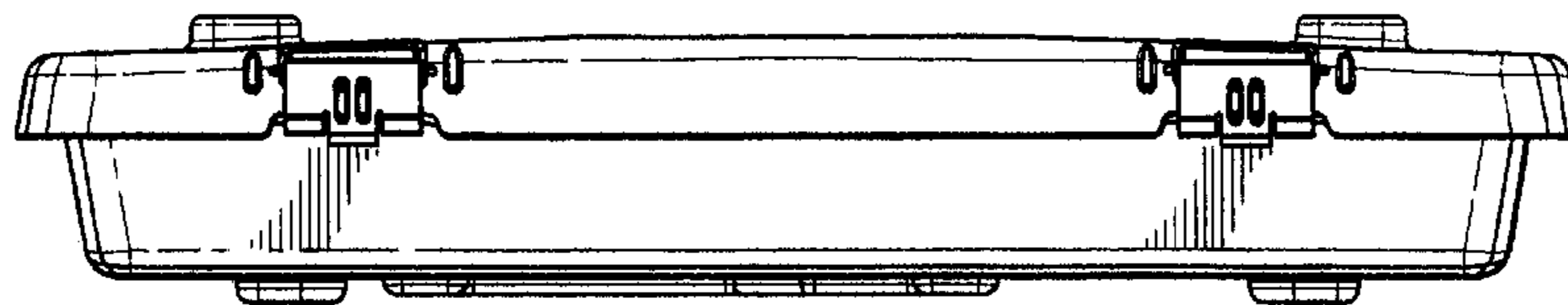


FIG. 3

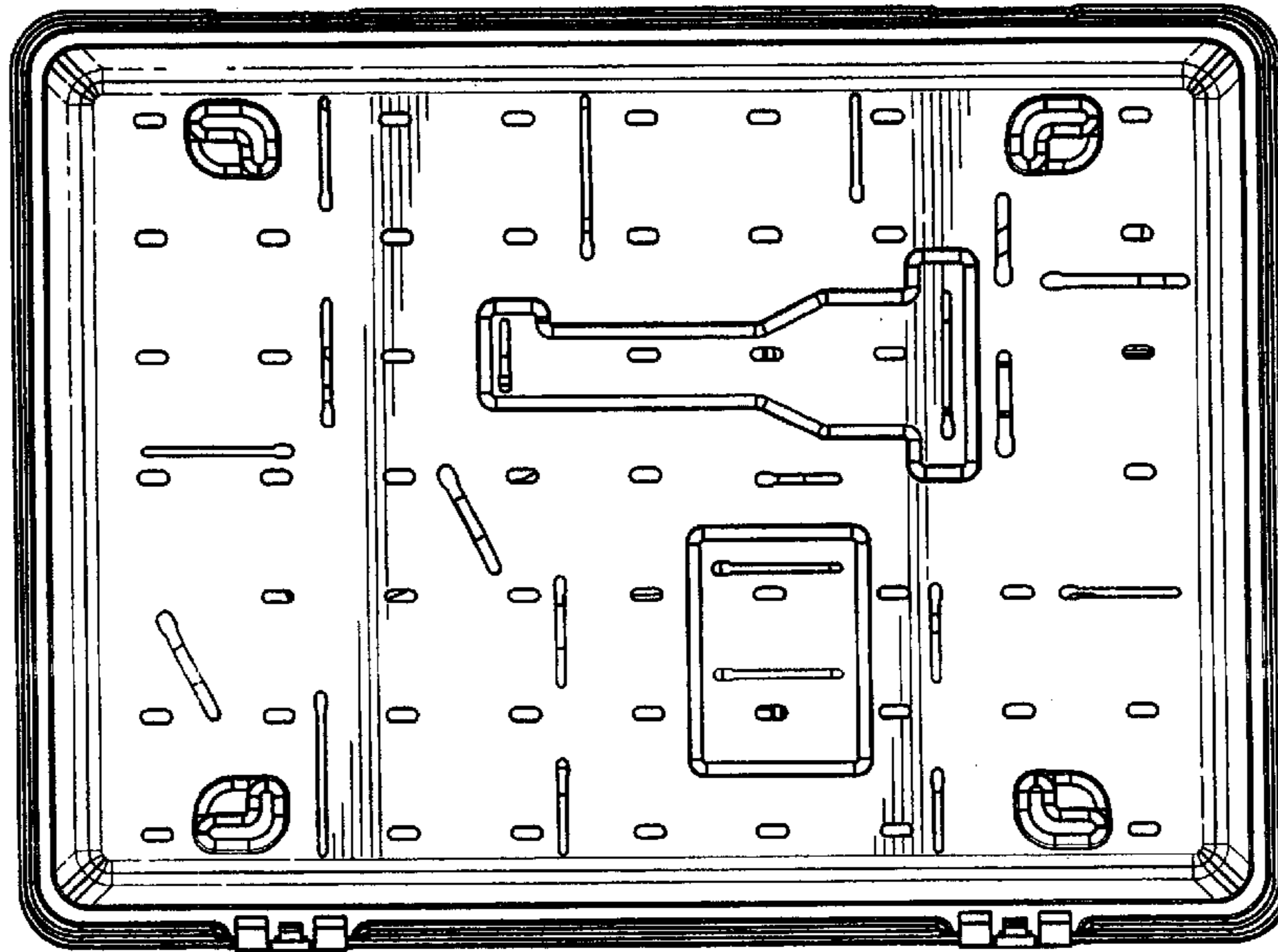


FIG. 4

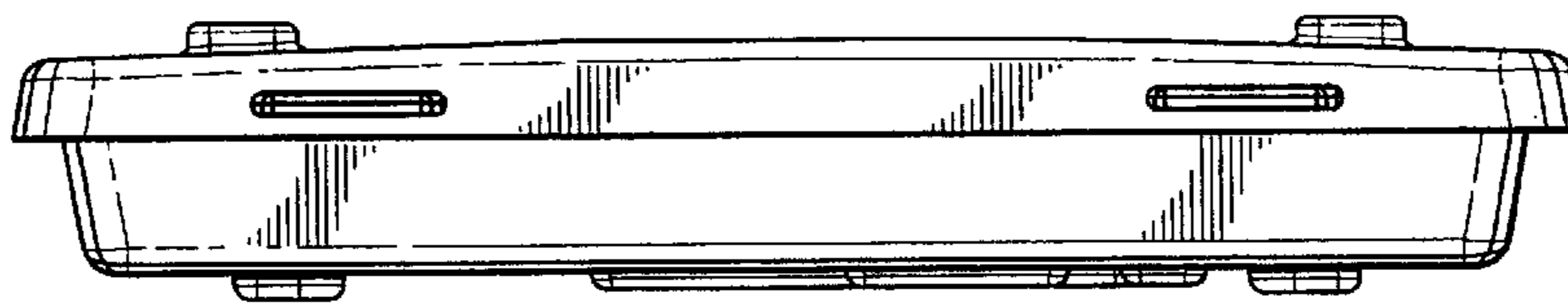


FIG. 5

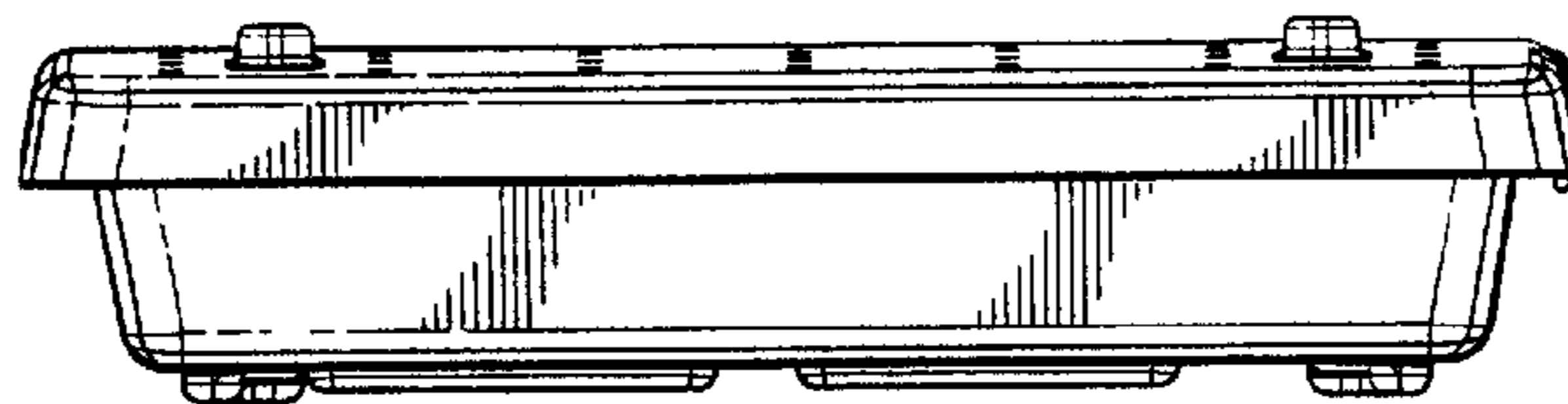


FIG. 6

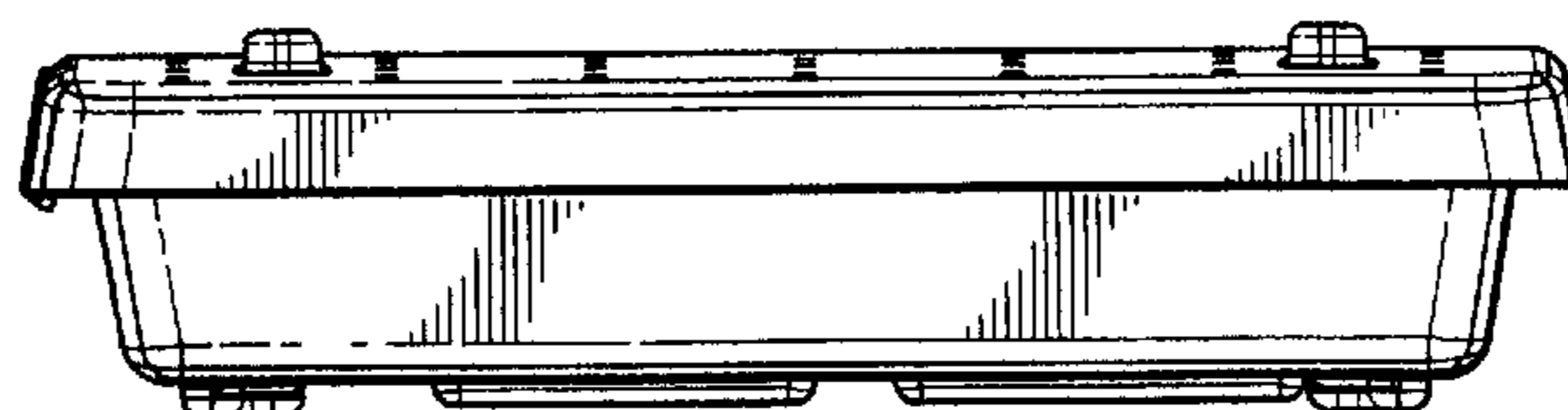


FIG. 7