



US00D530819S

(12) **United States Design Patent**  
**Jurkiewicz et al.**

(10) **Patent No.:** **US D530,819 S**

(45) **Date of Patent:** **\*\* Oct. 24, 2006**

(54) **BEHIND THE EAR (BTE) SOUND  
PROCESSOR**

(75) Inventors: **Tadeusz Jurkiewicz**, Lane Cove (AU);  
**Peter Sprada**, Lane Cove (AU); **Derek  
I. Darley**, Lane Cove (AU); **Edmond  
Capcelea**, Lane Cove (AU); **Emmanuel  
Gremion**, Lane Cove (AU); **Joel  
Fontannaz**, Lane Cove (AU)

(73) Assignee: **Cochlear Limited**, Lane Cove (AU)

(\*\*) Term: **14 Years**

(21) Appl. No.: **29/252,081**

(22) Filed: **Jan. 19, 2006**

**Related U.S. Application Data**

(63) Continuation of application No. 29/230,937, filed on May  
31, 2005, now abandoned.

(51) **LOC (8) Cl.** ..... **24-99**

(52) **U.S. Cl.** ..... **D24/174**

(58) **Field of Classification Search** ..... D24/174,  
D24/173; 381/312, 23.1, 322-334, 380-382,  
381/315; 181/129, 130, 134, 135, 137; 128/864-868  
See application file for complete search history.

(56) **References Cited**

**U.S. PATENT DOCUMENTS**

D354,568 S \* 1/1995 Araki et al. .... D24/174  
D385,036 S \* 10/1997 Nielsen ..... D24/174  
6,658,125 B1 \* 12/2003 Batting ..... 381/330

6,735,319 B1 \* 5/2004 Vonlanthen ..... 381/330  
6,775,389 B1 \* 8/2004 Harrison et al. .... 381/330  
D516,216 S \* 2/2006 Portmann ..... D24/174  
2003/0031336 A1 \* 2/2003 Harrison et al. .... 381/330  
2004/0062410 A1 \* 4/2004 Wagner et al. .... 381/330

\* cited by examiner

*Primary Examiner*—Ian Simmons

*Assistant Examiner*—Daniel Yu

(74) *Attorney, Agent, or Firm*—Jagtiani +Guttag

(57) **CLAIM**

I claim the ornamental design for a behind the ear (BTE)  
sound processor, as shown and described.

**DESCRIPTION**

FIG. 1 is a rear perspective view of a behind-the-ear (BTE)  
article constructed in accordance with one embodiment of  
the present invention;

FIG. 2 is a rear elevation view thereof;

FIG. 3 is a front elevation view thereof;

FIG. 4 is a top side elevation view thereof;

FIG. 5 is a right side elevation view thereof;

FIG. 6 is a bottom side elevation view thereof;

FIG. 7 is an exploded rear perspective view thereof;

FIG. 8 is an exploded rear elevation view thereof;

FIG. 9 is an exploded front elevation view thereof;

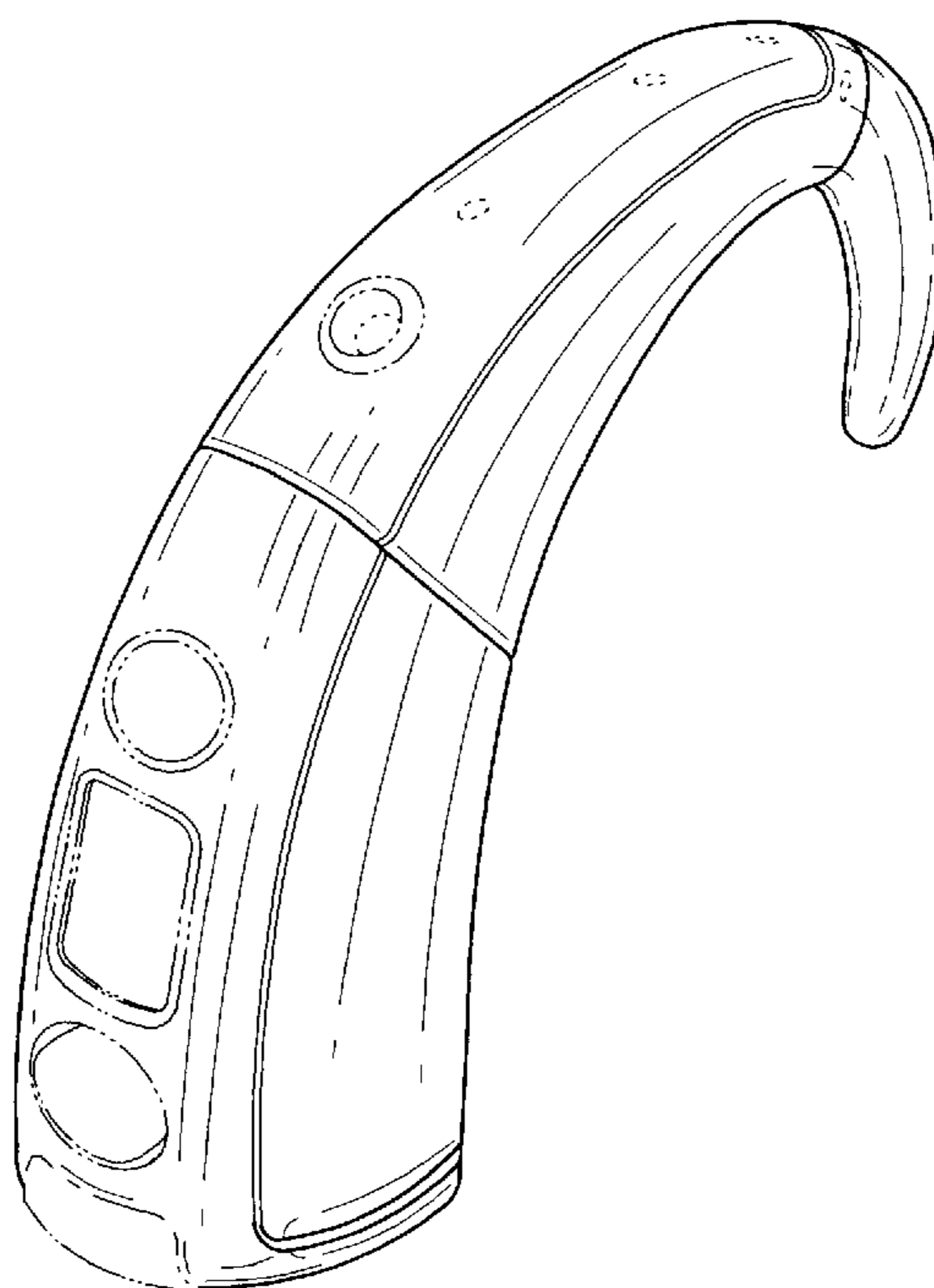
FIG. 10 is an exploded top side elevation view thereof;

FIG. 11 is an exploded right side elevation view thereof; and,

FIG. 12 is an exploded bottom side elevation view thereof.

The broken line showing is for illustrative purposes only and  
forms no part of the claimed design.

**1 Claim, 6 Drawing Sheets**



*FIG. 1*

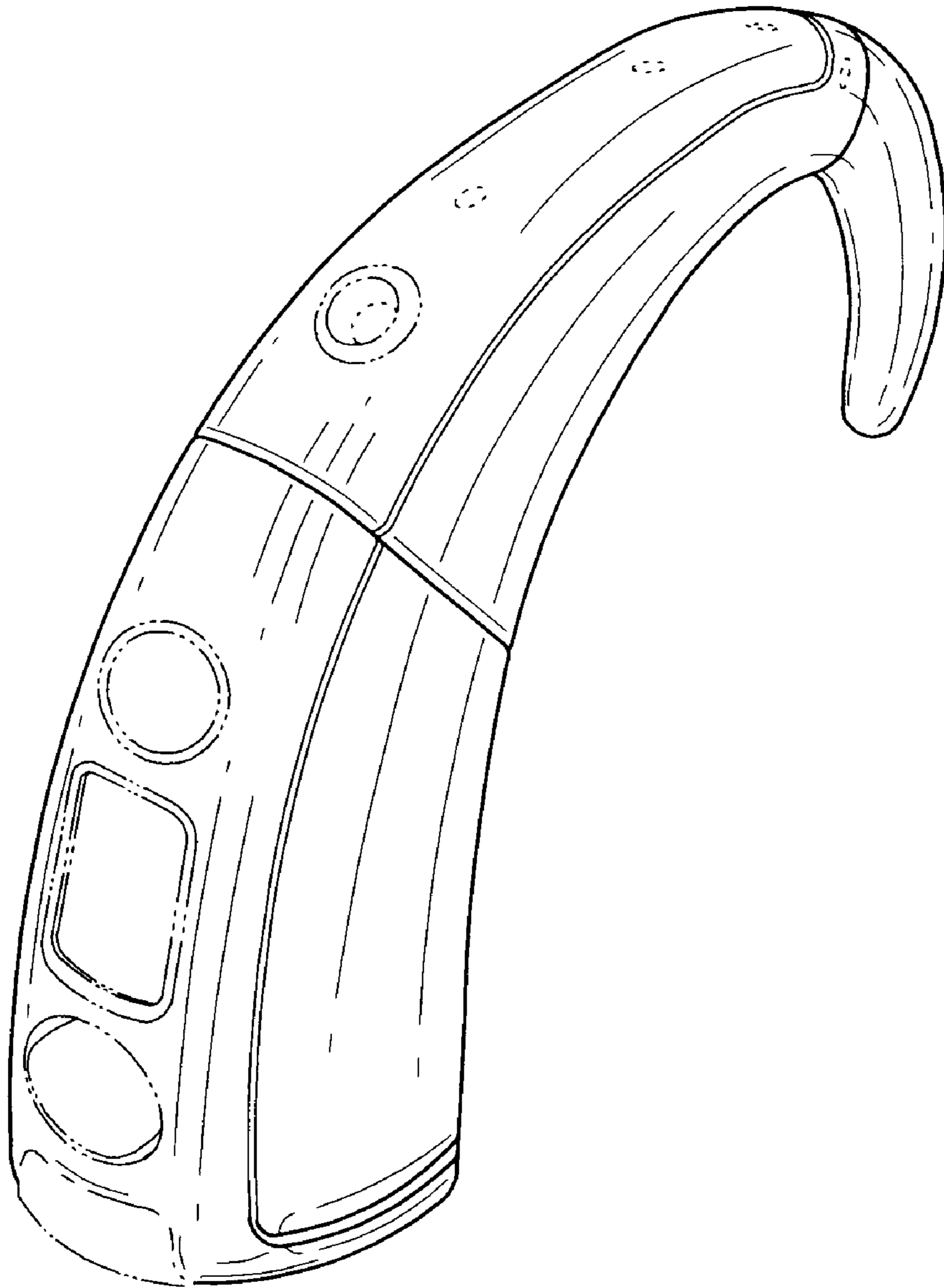


FIG. 2

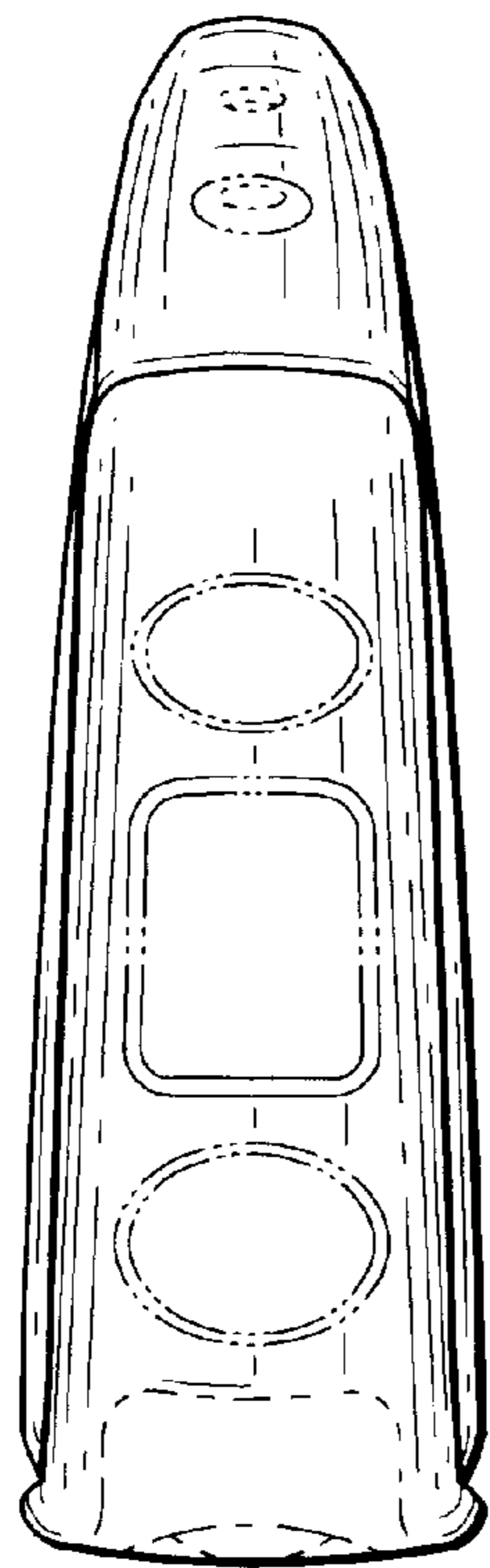


FIG. 3

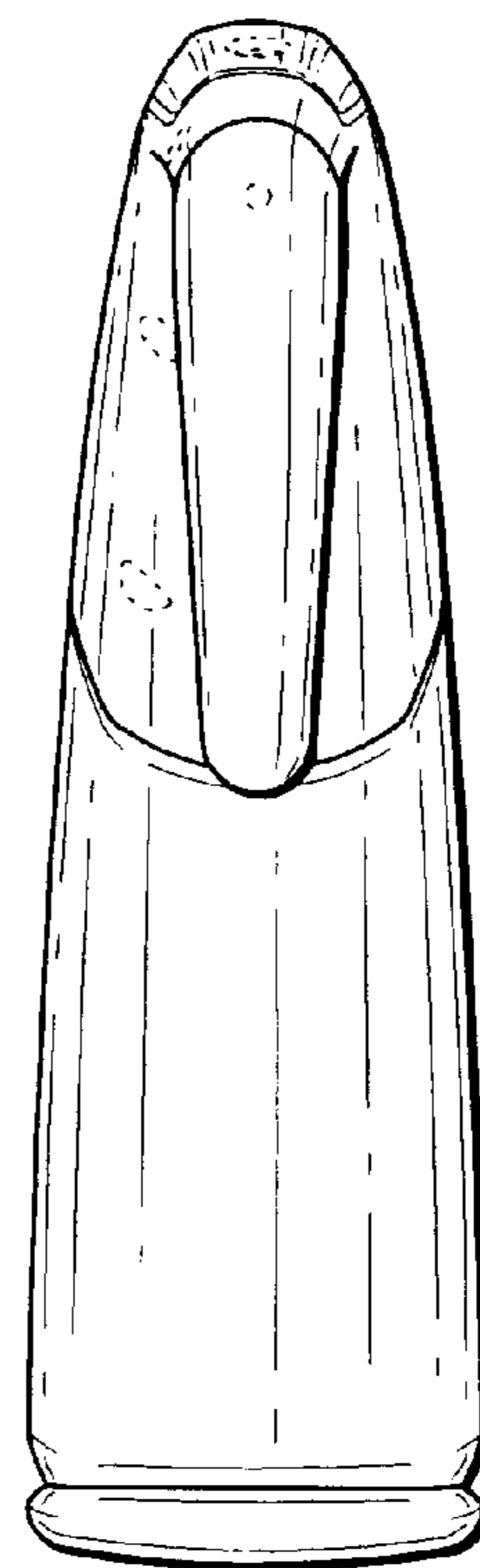


FIG. 4

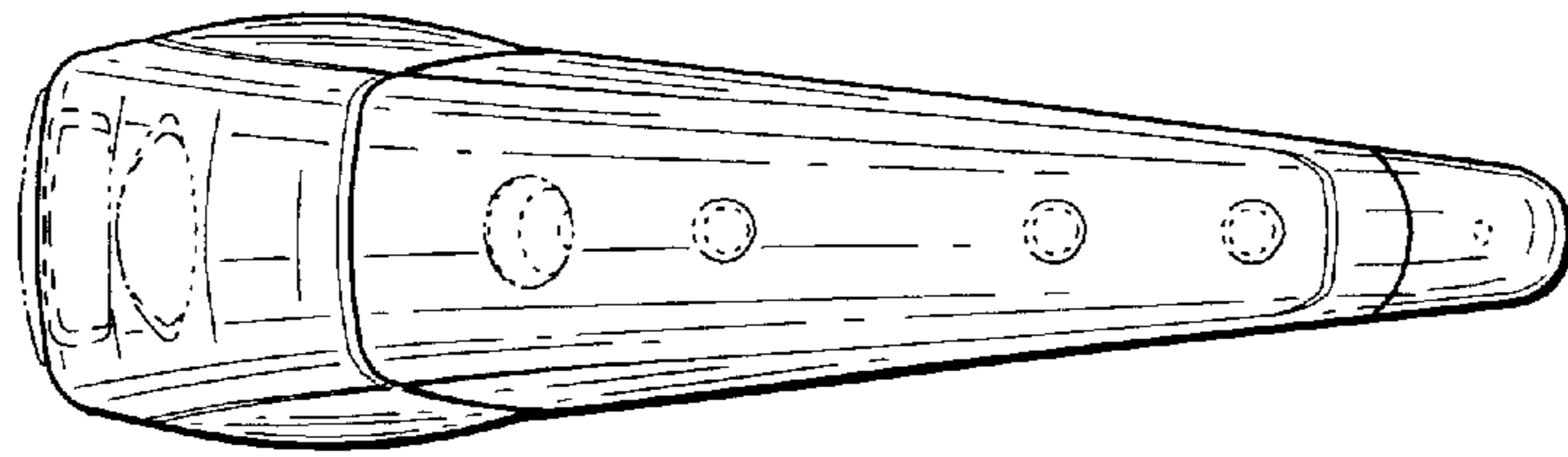


FIG. 5

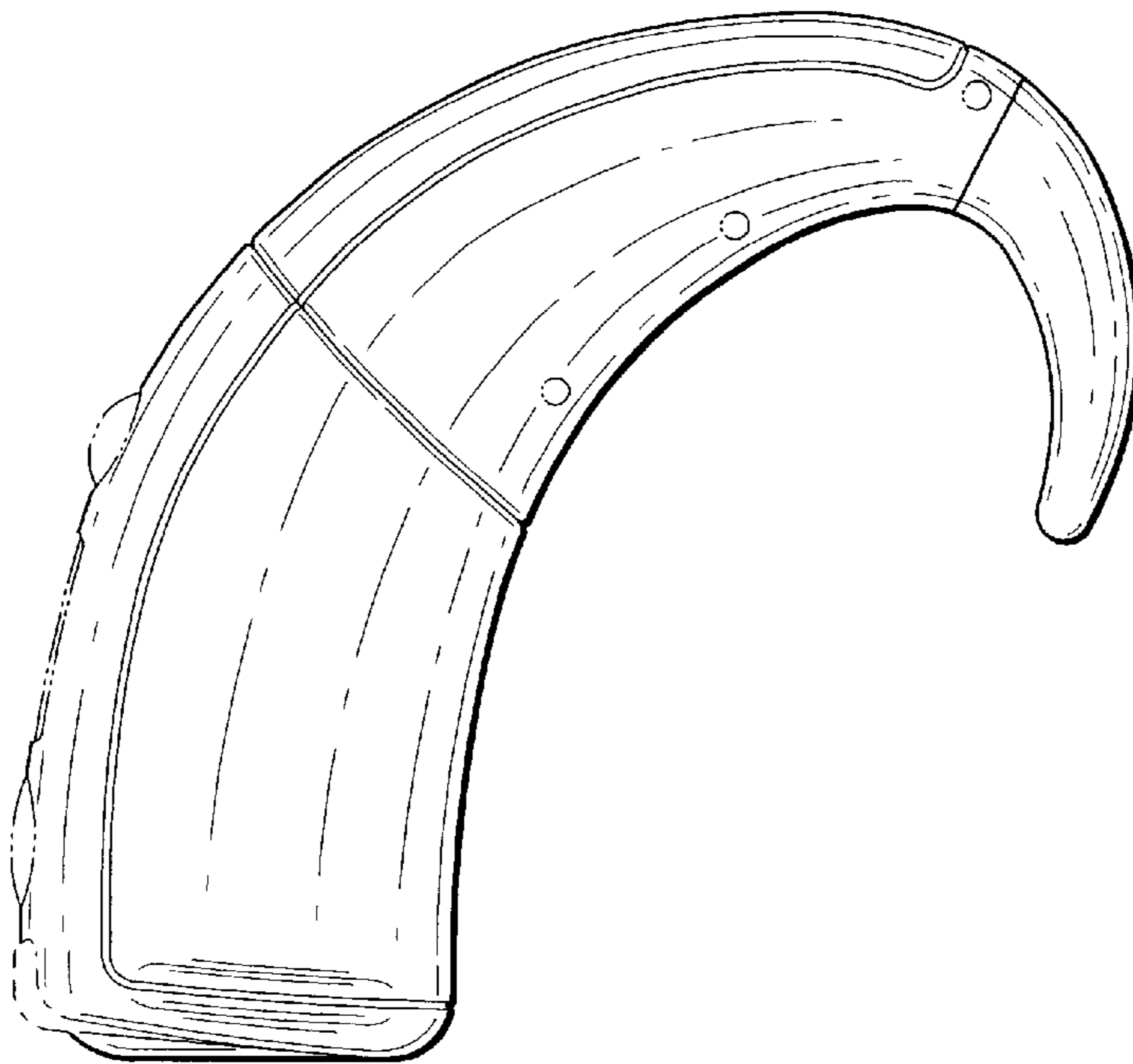


FIG. 6

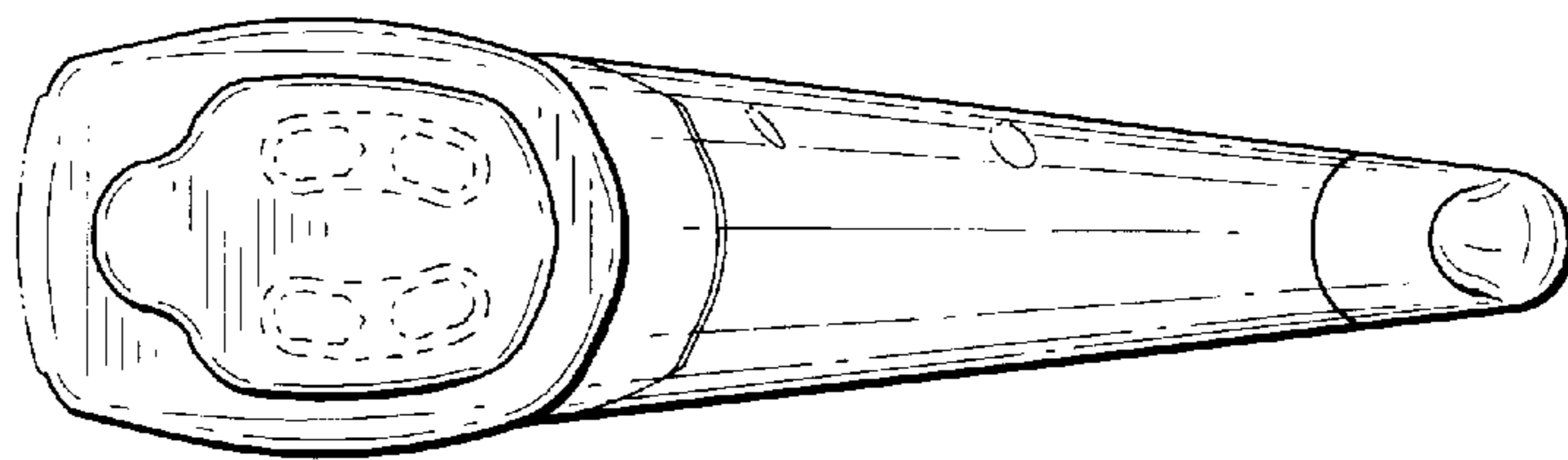


FIG. 7

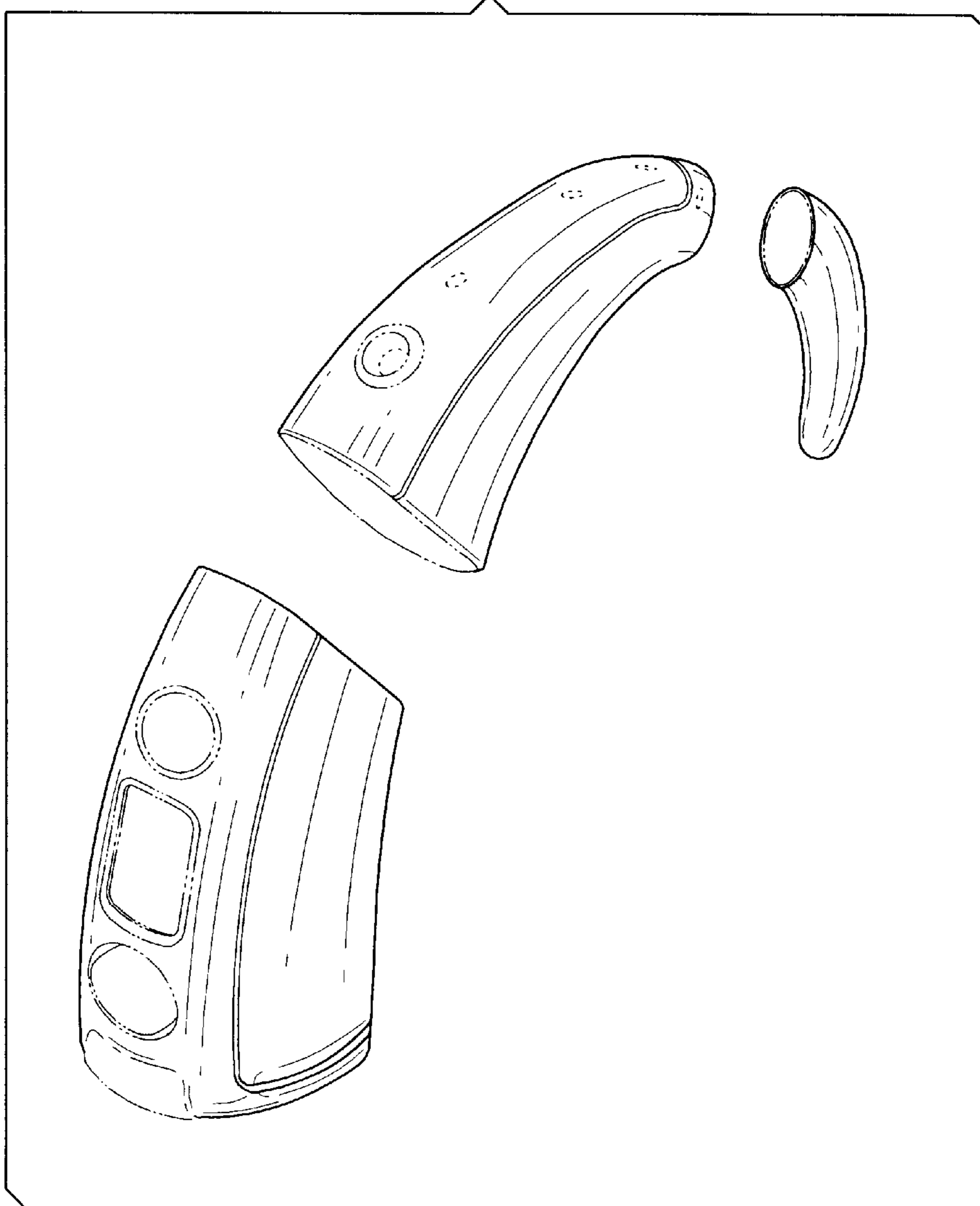


FIG. 8

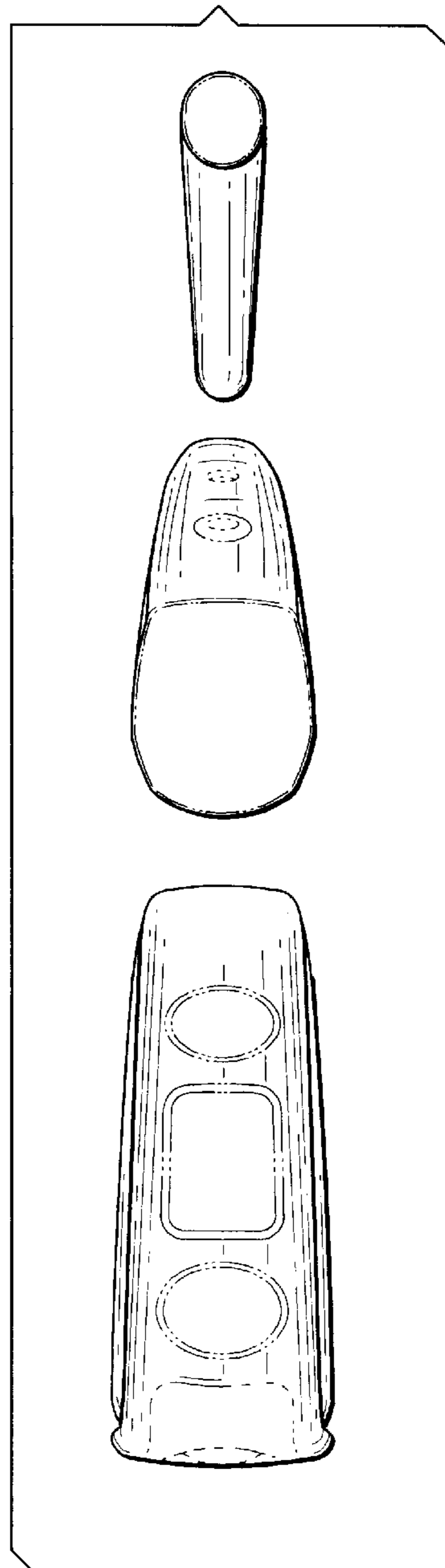


FIG. 9

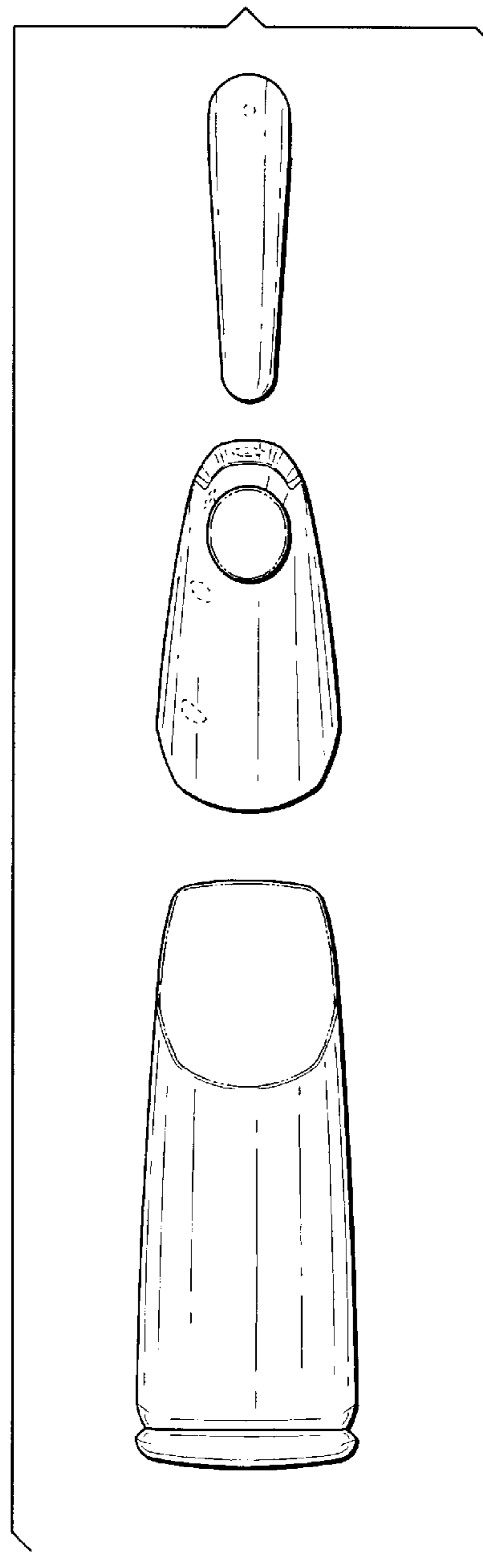


FIG. 10

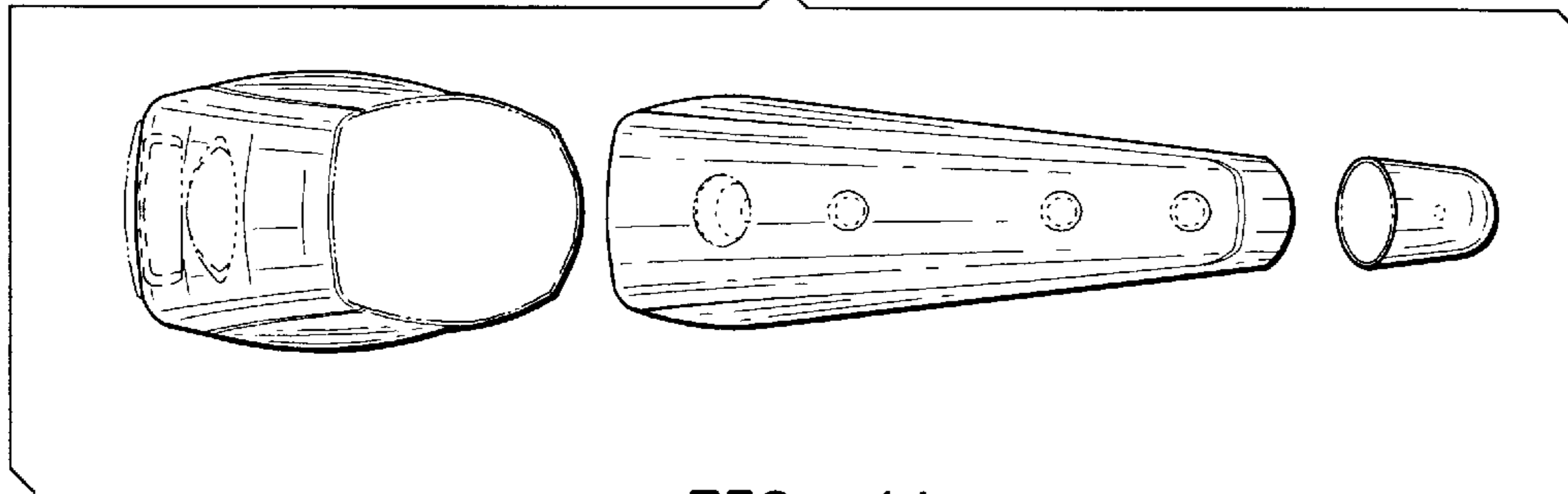


FIG. 11

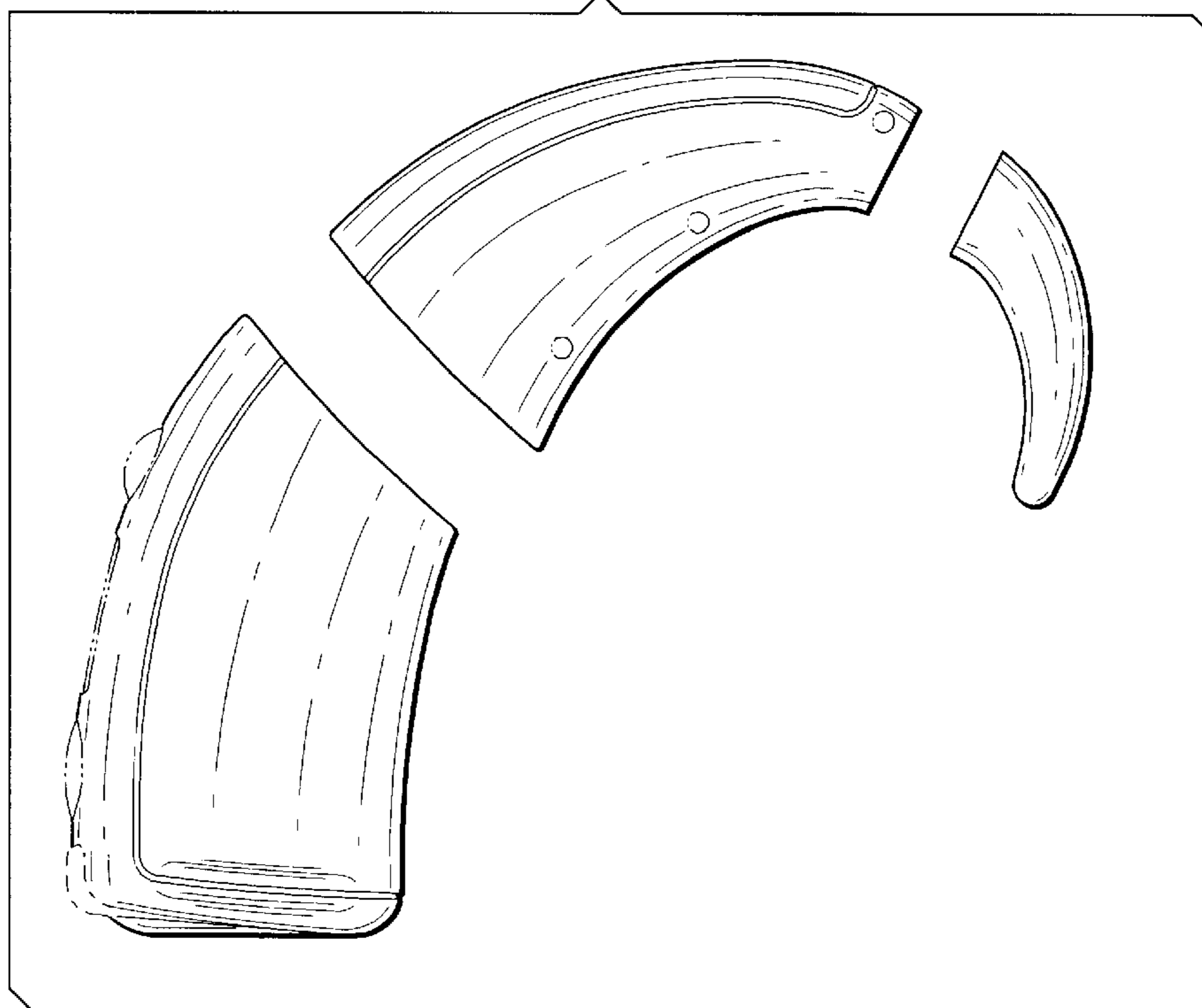


FIG. 12

