



US00D530818S

(12) **United States Design Patent**
Lin

(10) **Patent No.:** **US D530,818 S**

(45) **Date of Patent:** **** Oct. 24, 2006**

(54) **FLEXIBLE FIBEROPTIC SCOPE HANDLE**

6,585,642 B1 * 7/2003 Christopher 600/156

* cited by examiner

(76) Inventor: **Shih-Chu Lin**, No. 34, Kung Hua Rd.,
San Chung City, Taipei Hsien (TW)

Primary Examiner—Antoine D. Davis

Assistant Examiner—Christopher Lee

(74) *Attorney, Agent, or Firm*—Bacon & Thomas

(**) Term: **14 Years**

(57) **CLAIM**

(21) Appl. No.: **29/218,286**

The ornamental design for a flexible fiberoptic scope handle,
as shown and described.

(22) Filed: **Dec. 1, 2004**

DESCRIPTION

(51) **LOC (8) Cl.** **24-02**

(52) **U.S. Cl.** **D24/138**

(58) **Field of Classification Search** D24/138,
D24/137, 133, 134; 600/131, 122, 101, 118,
600/160, 156, 112, 124

See application file for complete search history.

FIG. 1 is a perspective view of a flexible fiberoptic scope handle, showing my new design;
FIG. 2 is a front view thereof;
FIG. 3 is a rear view thereof;
FIG. 4 is a left view thereof;
FIG. 5 is a right view thereof;
FIG. 6 is a top view thereof; and,
FIG. 7 is a bottom view thereof.

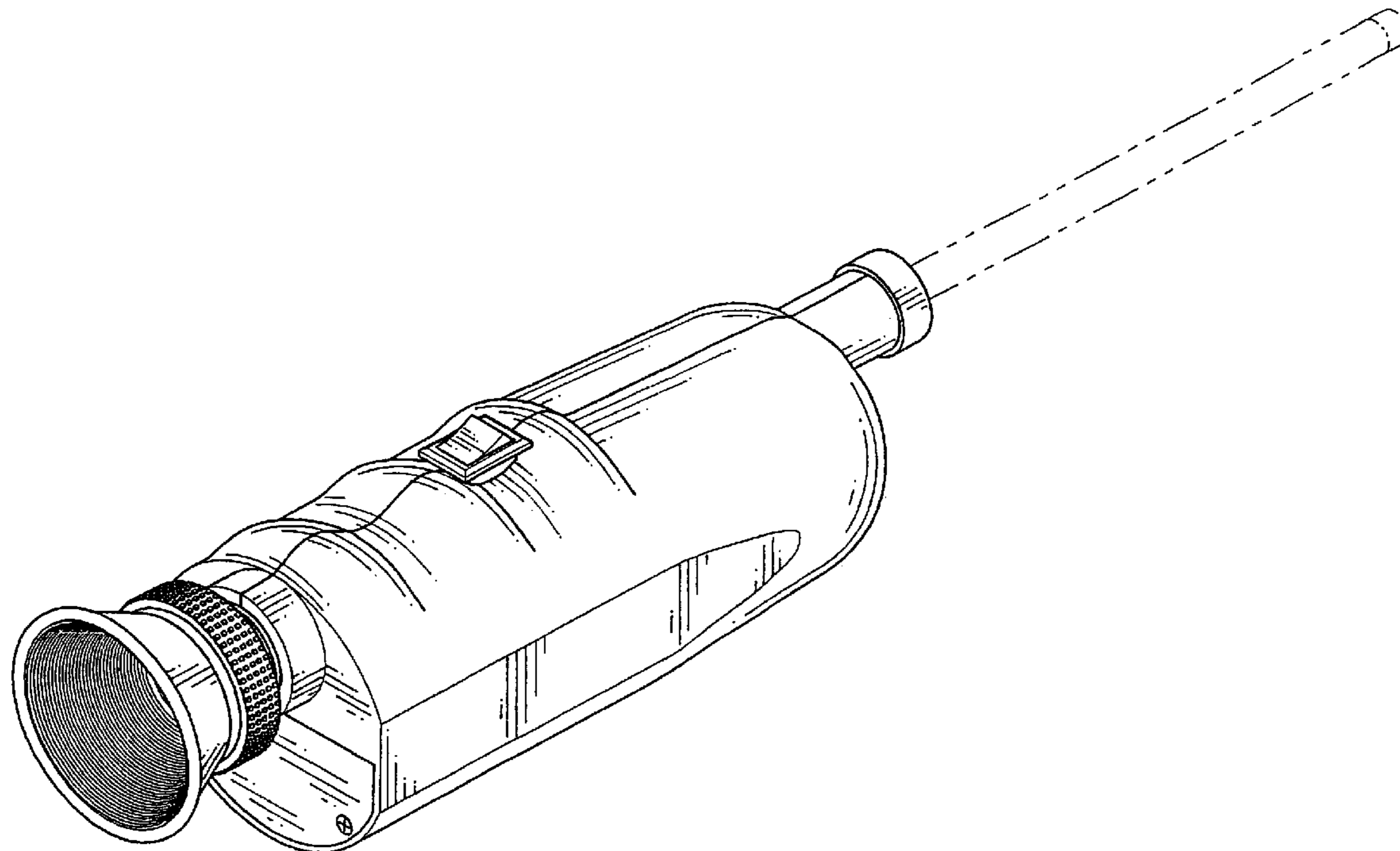
The broken lines shown in FIGS. 1–3 and 6–7 are for illustrative purposes only and form no part of the claimed design.

(56) **References Cited**

U.S. PATENT DOCUMENTS

D248,664 S	*	7/1978	Takahashi	D24/138
D410,286 S	*	5/1999	Tamirisa	D24/138
D434,147 S	*	11/2000	Ward et al.	D24/137
D474,276 S	*	5/2003	Greise et al.	D24/138

1 Claim, 4 Drawing Sheets



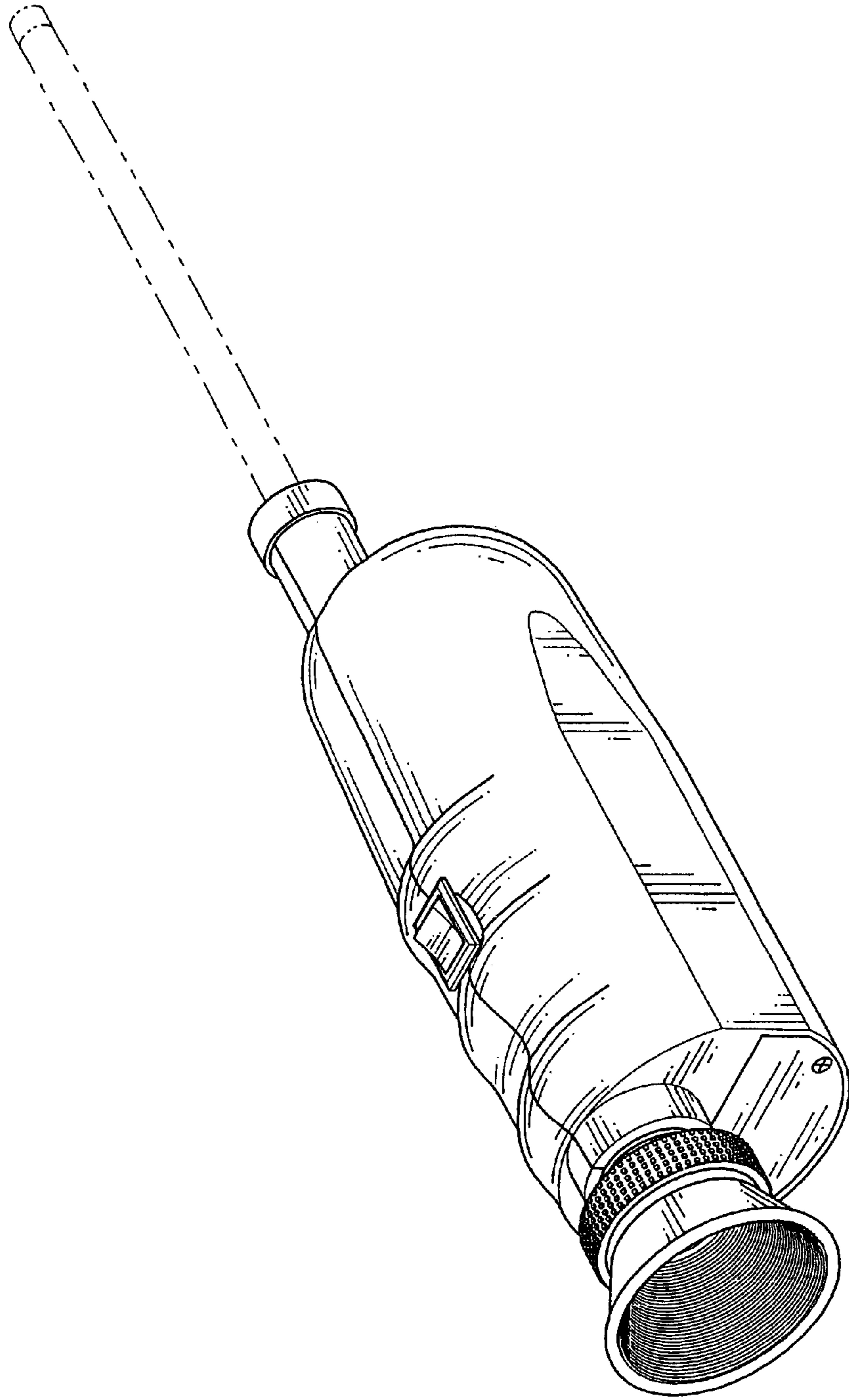


FIG.1

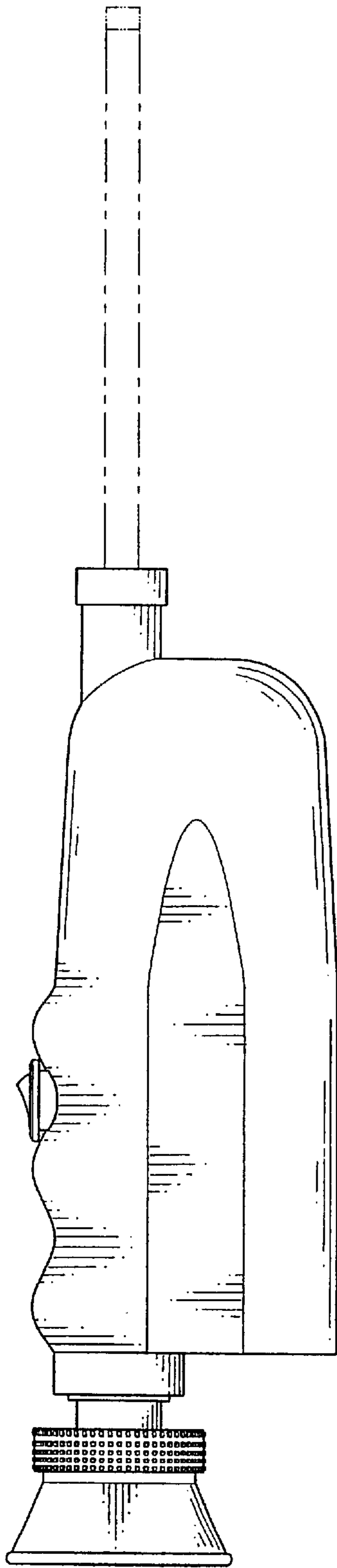


FIG. 2

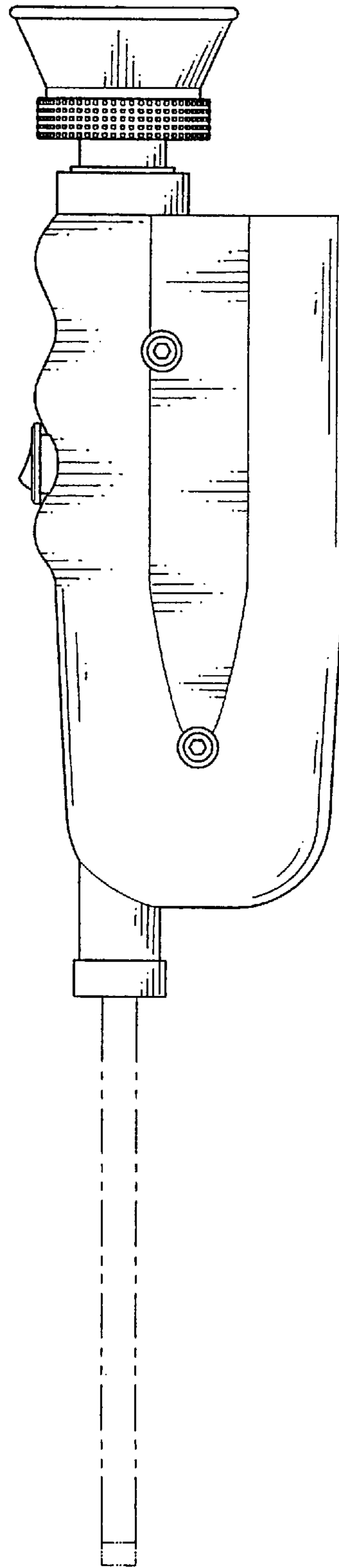


FIG. 3

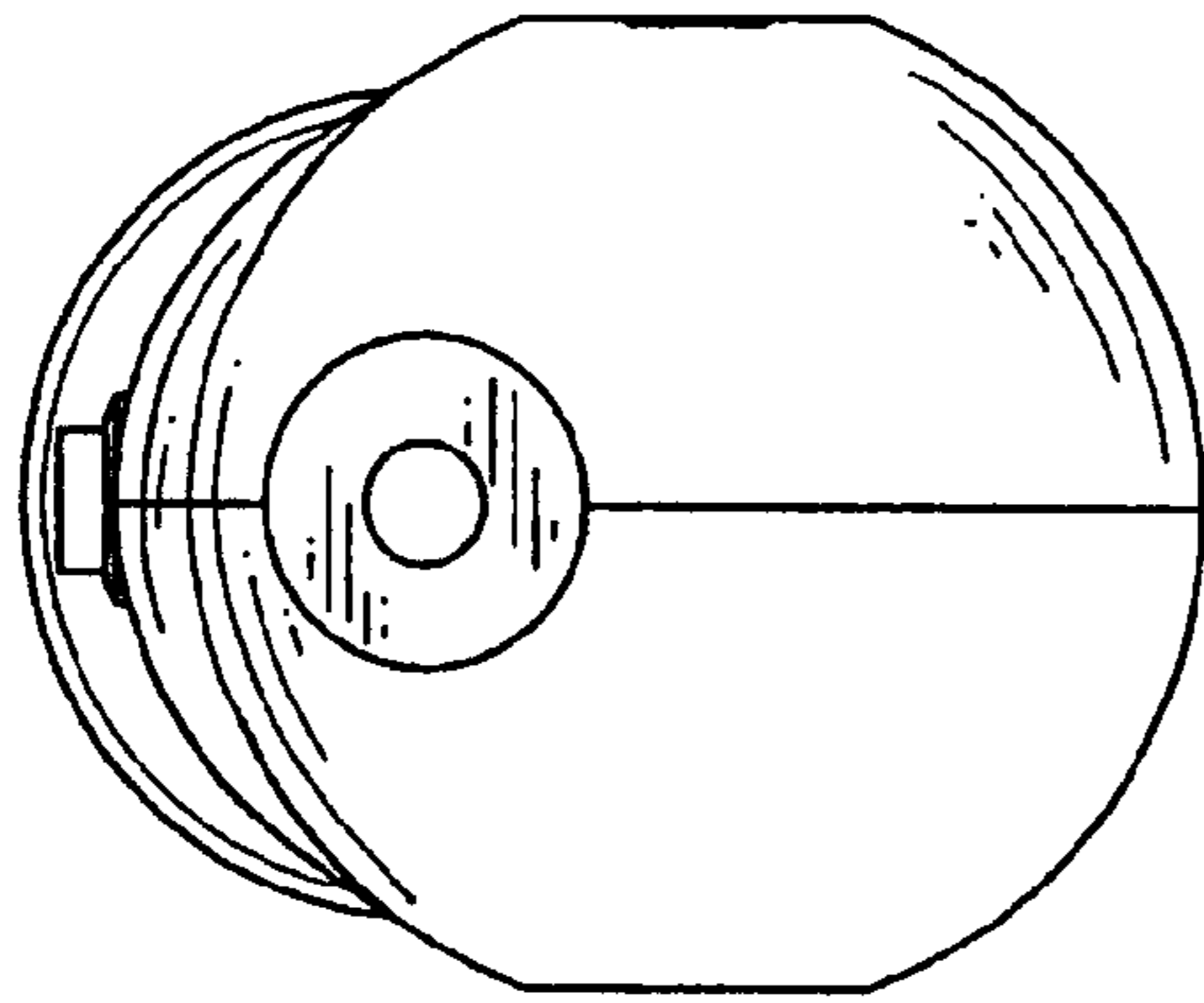


FIG. 5

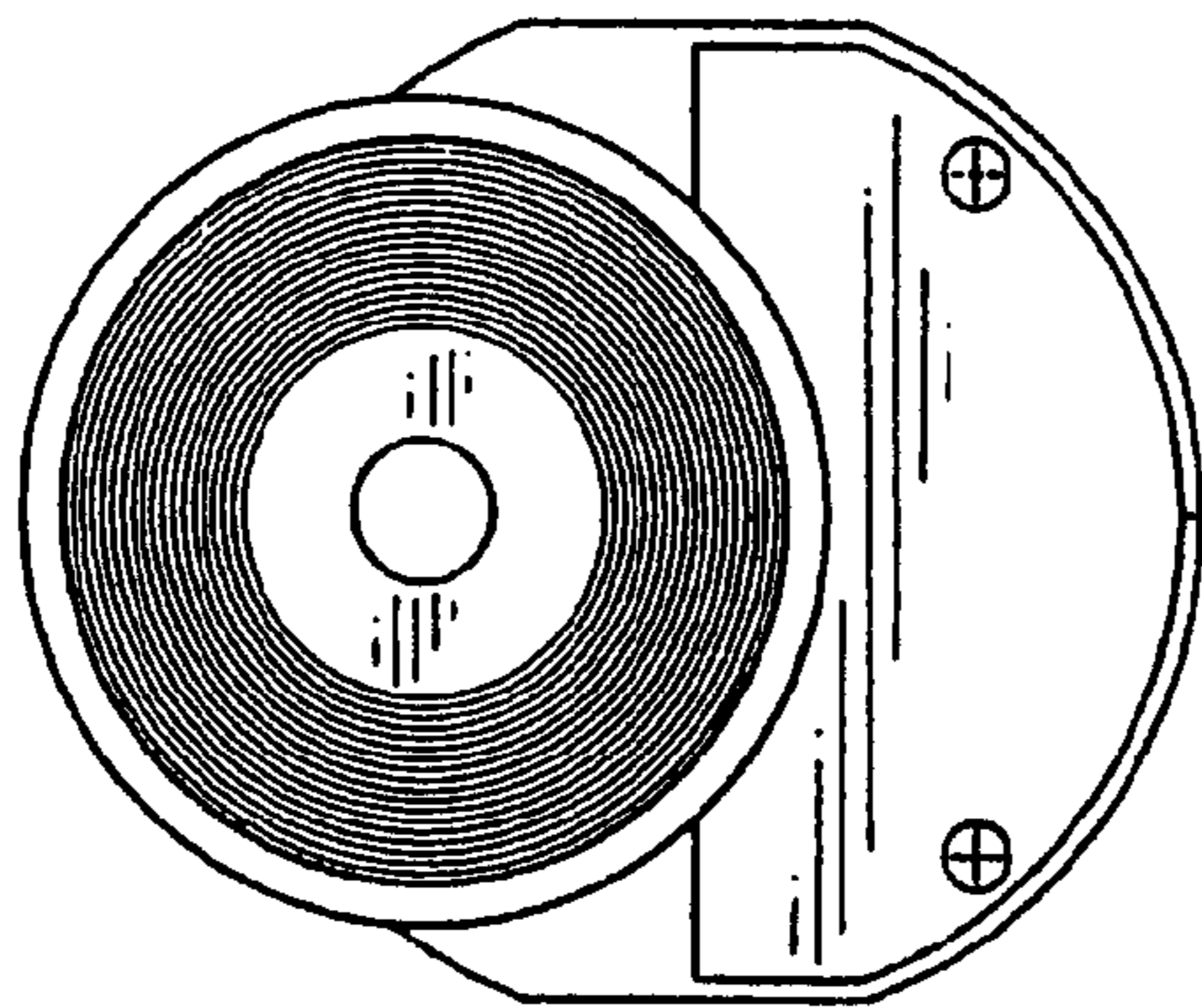


FIG. 4

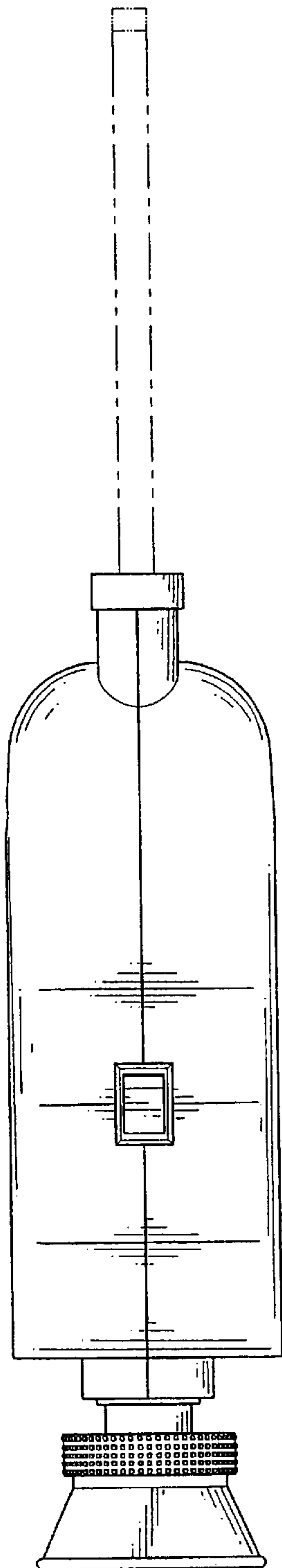


FIG. 6

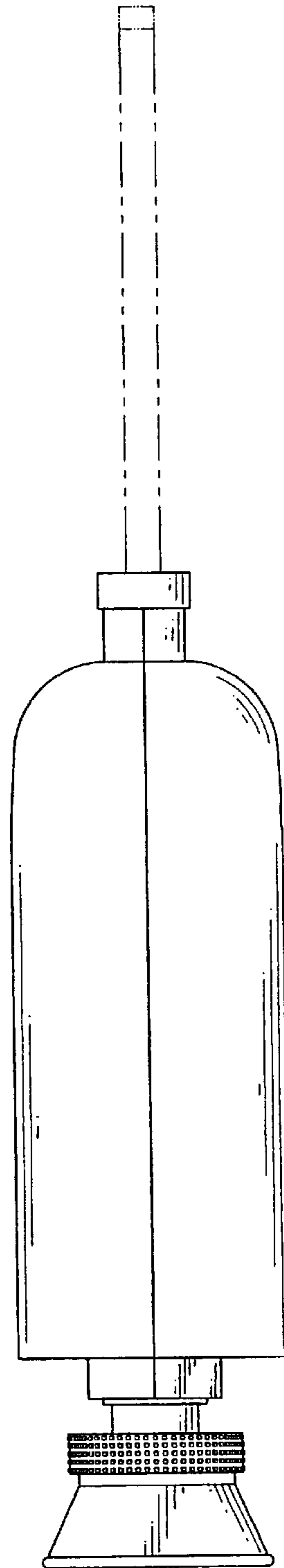


FIG. 7