

US00D530817S

(12) **United States Design Patent**
Lyman et al.

(10) **Patent No.:** **US D530,817 S**
(45) **Date of Patent:** **** Oct. 24, 2006**

- (54) **SYRINGE TOOL**
- (75) Inventors: **Scott D. Lyman**, Oak Park, CA (US);
B. Cameron Smith, Seattle, WA (US)
- (73) Assignee: **Amgen Inc.**, Thousand Oaks, CA (US)
- (**) Term: **14 Years**
- (21) Appl. No.: **29/244,459**
- (22) Filed: **Dec. 9, 2005**

- 4,846,803 A 7/1989 Emerson
- 4,852,844 A 8/1989 Villaveces
- 4,863,451 A 9/1989 Marder
- 4,869,133 A 9/1989 Irazoqui et al.
- 4,915,225 A 4/1990 Tabor, Jr. et al.
- 4,915,698 A 4/1990 Levenson
- 4,921,199 A 5/1990 Villaveces
- 4,955,865 A 9/1990 Steiner et al.
- 4,979,945 A 12/1990 Wade et al.
- 4,986,816 A 1/1991 Steiner et al.
- 4,989,307 A 2/1991 Sharpe et al.
- 5,007,535 A 4/1991 Meseke et al.
- 5,024,666 A 6/1991 Pituch
- 5,035,703 A 7/1991 Baskas
- 5,037,400 A 8/1991 Curry

Related U.S. Application Data

- (62) Division of application No. 29/201,408, filed on Mar. 15, 2004.
- (51) **LOC (8) Cl.** **24-02**
- (52) **U.S. Cl.** **D24/129; D24/108; D24/130**
- (58) **Field of Classification Search** D24/112,
D24/108, 130, 129; 81/3.07; 604/416, 905
See application file for complete search history.

(Continued)

FOREIGN PATENT DOCUMENTS

JP 2000-316919 11/2000

Primary Examiner—Louis S. Zarfes
Assistant Examiner—Daniel Yu

(74) *Attorney, Agent, or Firm*—Marshall, Gerstein & Borun LLP

(56) **References Cited**

U.S. PATENT DOCUMENTS

- 1,090,422 A 3/1914 Stovall et al.
- 1,511,522 A 10/1924 Rolsky
- 2,077,240 A 4/1937 Jeffords
- 2,728,250 A 12/1955 Robert
- 3,469,750 A 9/1969 Vanderbeck.
- 4,178,646 A 12/1979 Swartz et al.
- 4,375,849 A 3/1983 Hanifl
- D271,421 S * 11/1983 Fetterman D24/129
- 4,466,538 A 8/1984 Gianni
- D276,465 S * 11/1984 Clawson et al. D24/129
- 4,494,652 A 1/1985 Nelson et al.
- 4,596,562 A 6/1986 Vernon
- 4,615,242 A 10/1986 Milin
- 4,658,957 A 4/1987 Guth et al.
- 4,717,386 A 1/1988 Simmons
- 4,726,264 A 2/1988 Bost
- 4,742,910 A 5/1988 Staebler
- 4,836,373 A 6/1989 Goldman
- 4,844,249 A 7/1989 Coulombe

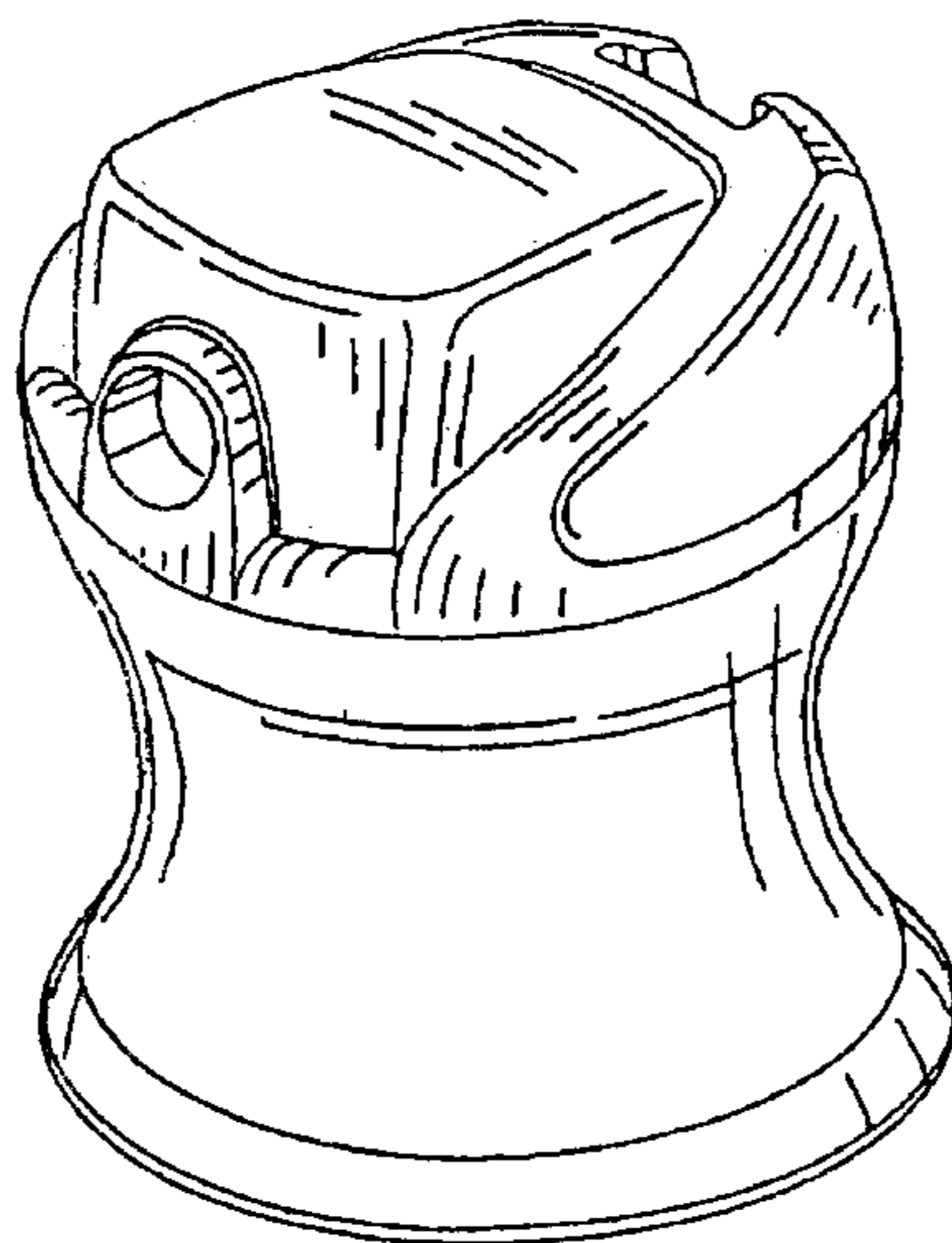
(57) **CLAIM**

The ornamental design for a syringe tool, as shown and described.

DESCRIPTION

FIG. 1 is a front and right side perspective view showing our new design for a syringe tool;
 FIG. 2 is a rear and right side perspective view of the syringe tool of FIG. 1;
 FIG. 3 is a right side view of the syringe tool of FIG. 1;
 FIG. 4 is a left side view of the syringe tool of FIG. 1;
 FIG. 5 is a front view of the syringe tool of FIG. 1;
 FIG. 6 is a rear view of the syringe tool of FIG. 1;
 FIG. 7 is a bottom plan view of the syringe tool of FIG. 1;
 and,
 FIG. 8 is a top plan view of the syringe tool of FIG. 1.

1 Claim, 4 Drawing Sheets



US D530,817 S

Page 2

U.S. PATENT DOCUMENTS					
5,067,223	A	11/1991 Bruno	RE35,841	E	* 7/1998 Frank et al. 604/905
5,067,948	A	11/1991 Haber et al.	5,791,471	A	8/1998 Radmand
5,102,083	A	4/1992 Baskas	5,975,295	A	11/1999 Diamond
5,160,324	A	11/1992 Halbach	6,036,671	A	3/2000 Frey
5,242,426	A	9/1993 Pituch	6,247,592	B1	6/2001 Racicot et al.
5,279,577	A	1/1994 Collett	6,257,408	B1	7/2001 Odierno
5,343,875	A	9/1994 Chase	6,279,743	B1	8/2001 Ballard et al.
5,346,086	A	9/1994 Harris	D454,194	S	* 3/2002 Bar-Or D24/108
5,348,543	A	9/1994 Talley	D458,369	S	* 6/2002 Helmholtz et al. D24/108
D351,905	S	* 10/1994 Lee, Jr. D24/130	6,581,648	B1	6/2003 Zolentoff et al.
5,356,384	A	10/1994 Haber	6,591,984	B1	7/2003 Odierno et al.
5,356,385	A	10/1994 Latini	6,604,903	B1	8/2003 Osborne et al.
5,469,964	A	11/1995 Bailey	D495,416	S	* 8/2004 Dimeo et al. D24/129
5,495,941	A	3/1996 Leonard	2001/0035362	A1	11/2001 Odierno et al.
5,564,565	A	10/1996 Yamada	2002/0195362	A1	12/2002 Abe
5,607,403	A	3/1997 Kretschmar et al.	2003/0116569	A1	6/2003 Mercier
5,624,412	A	4/1997 Weekley			

* cited by examiner

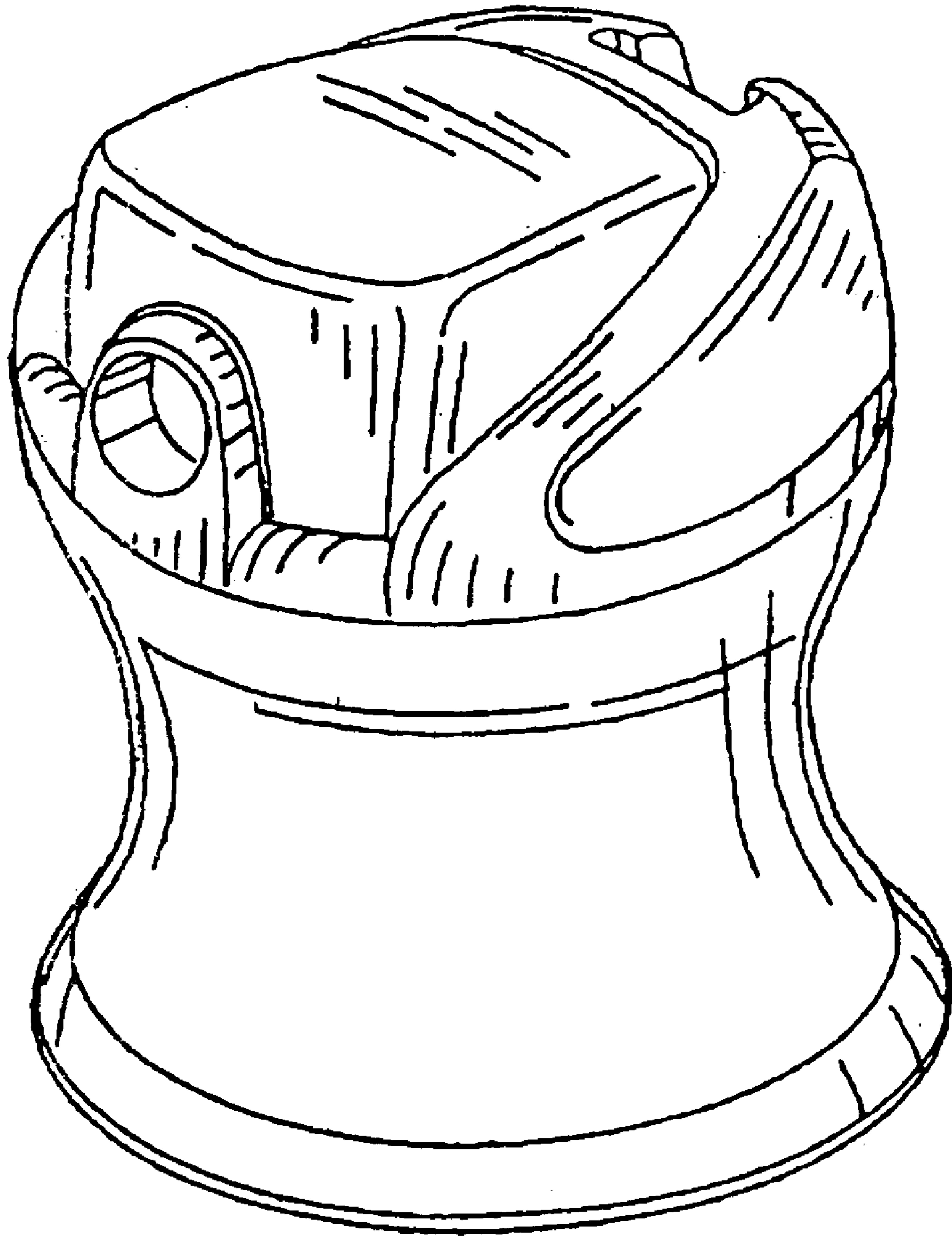


FIG. 1

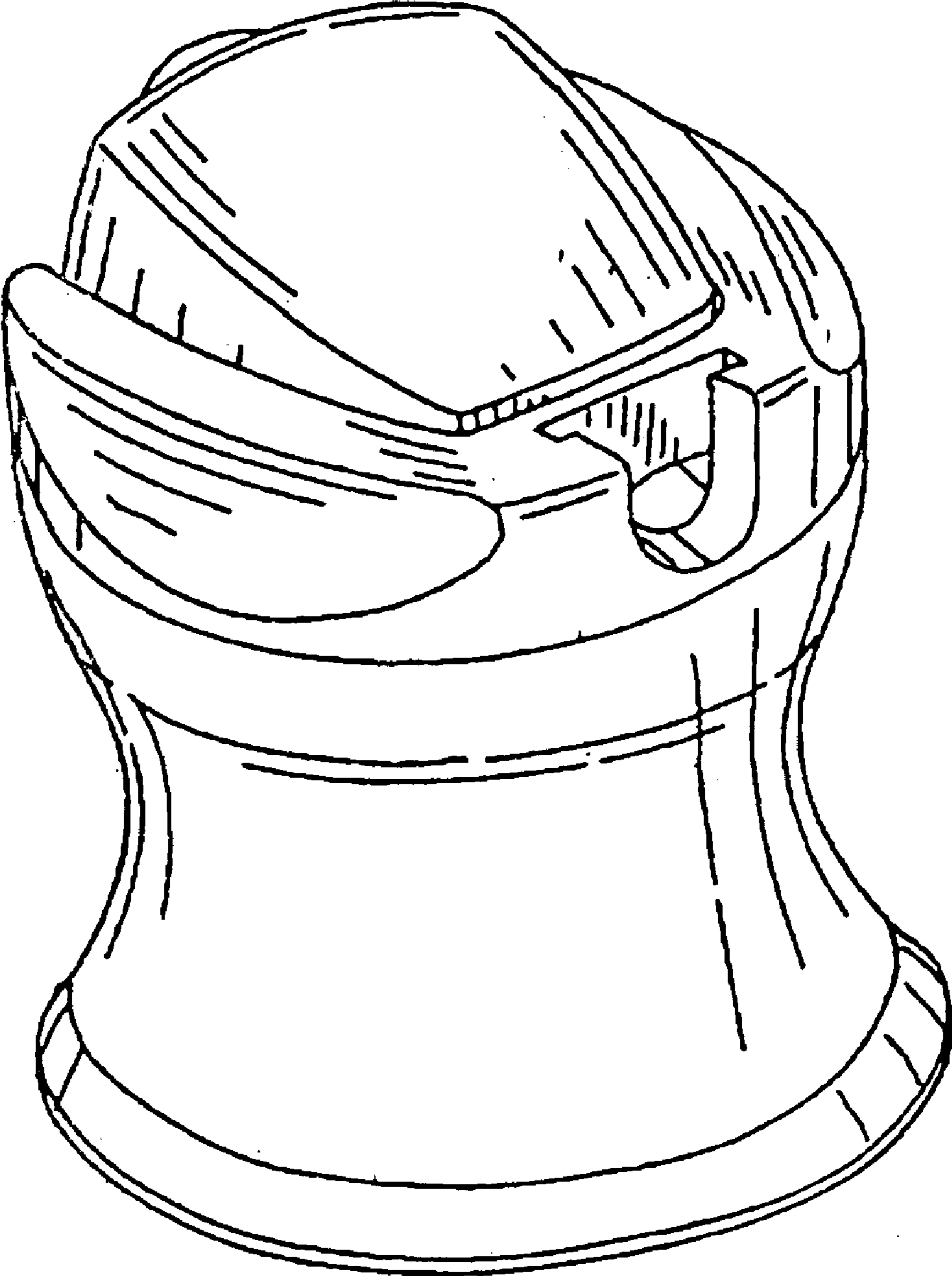


FIG. 2

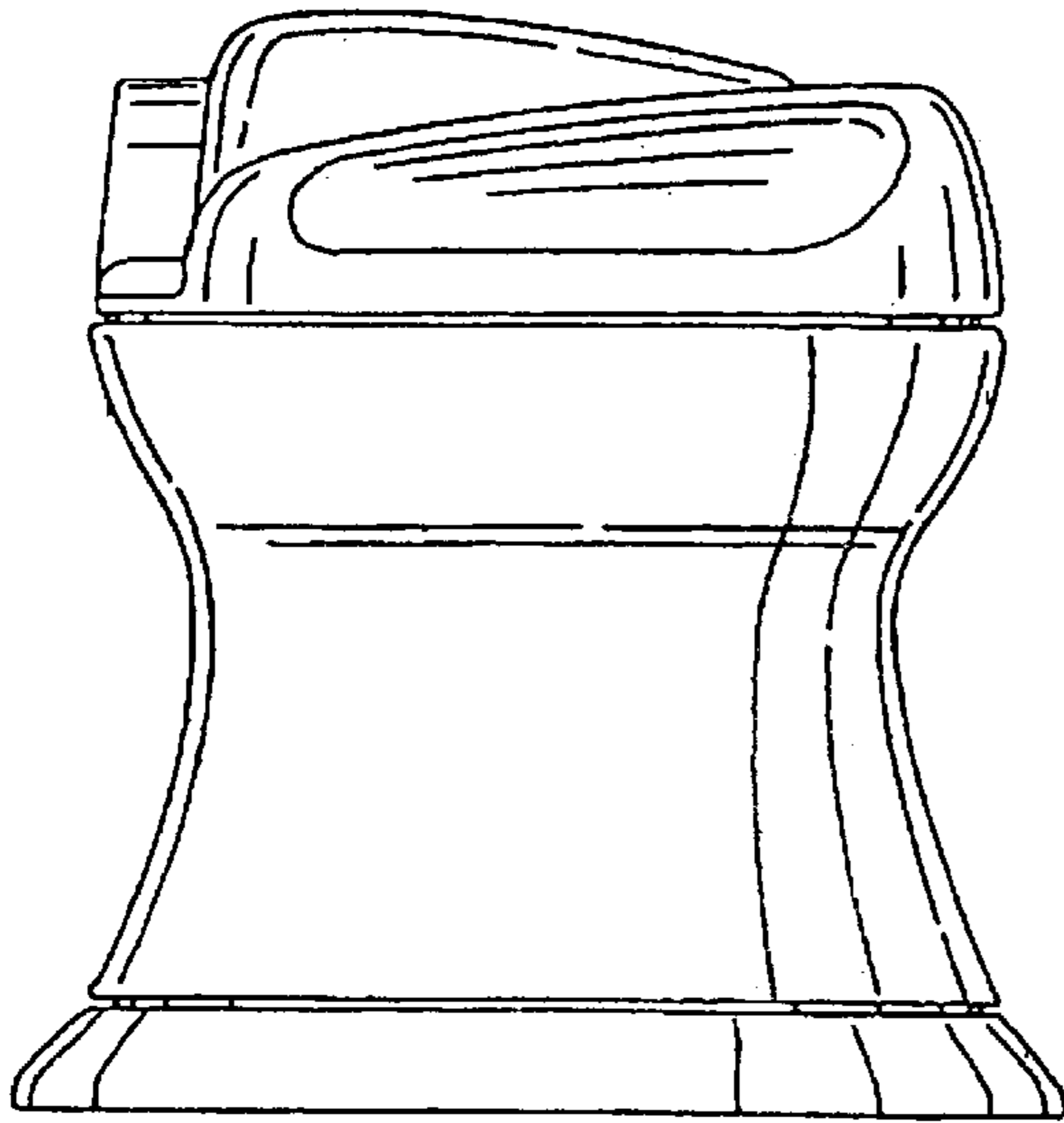


FIG. 3

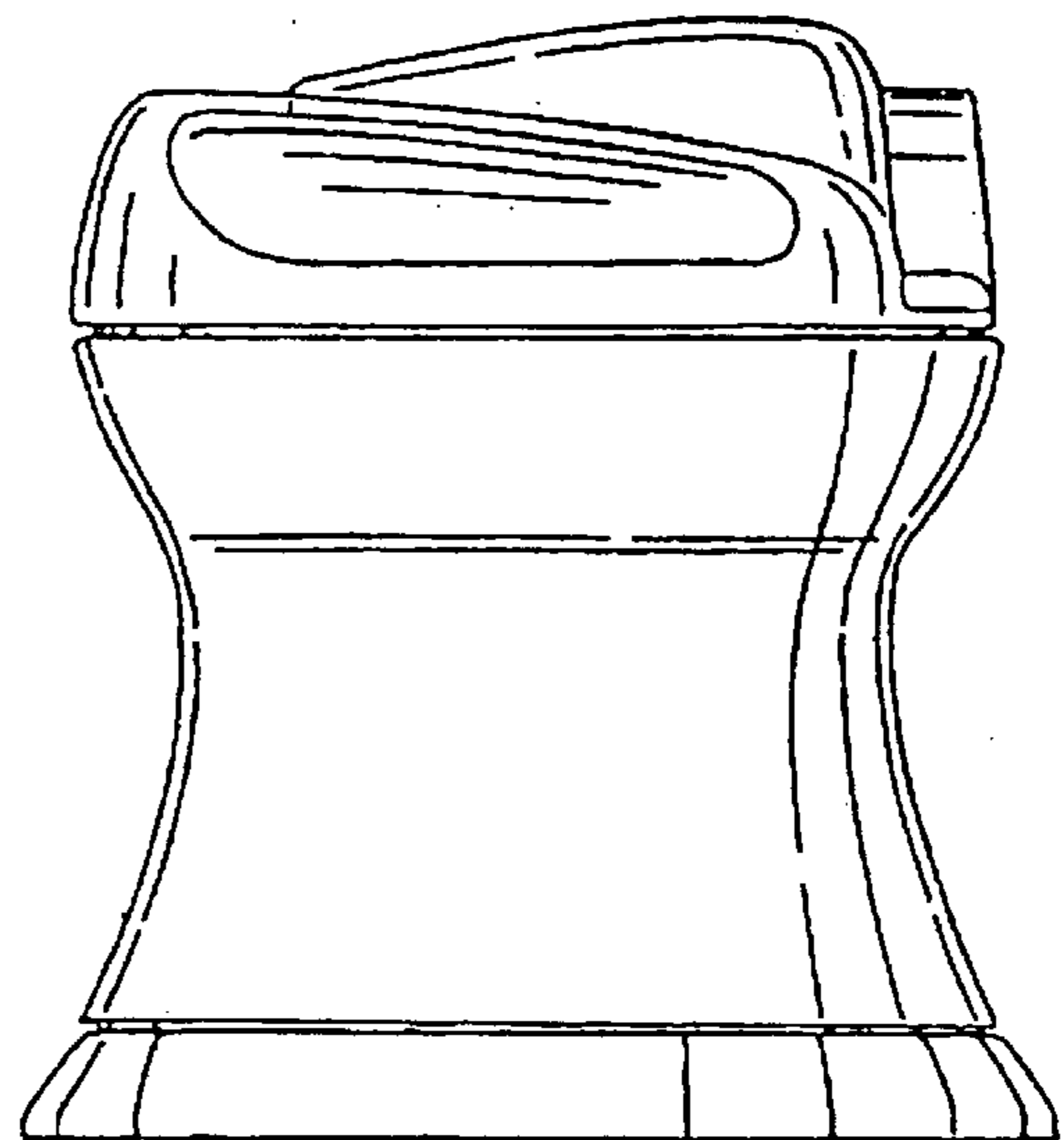


FIG. 4

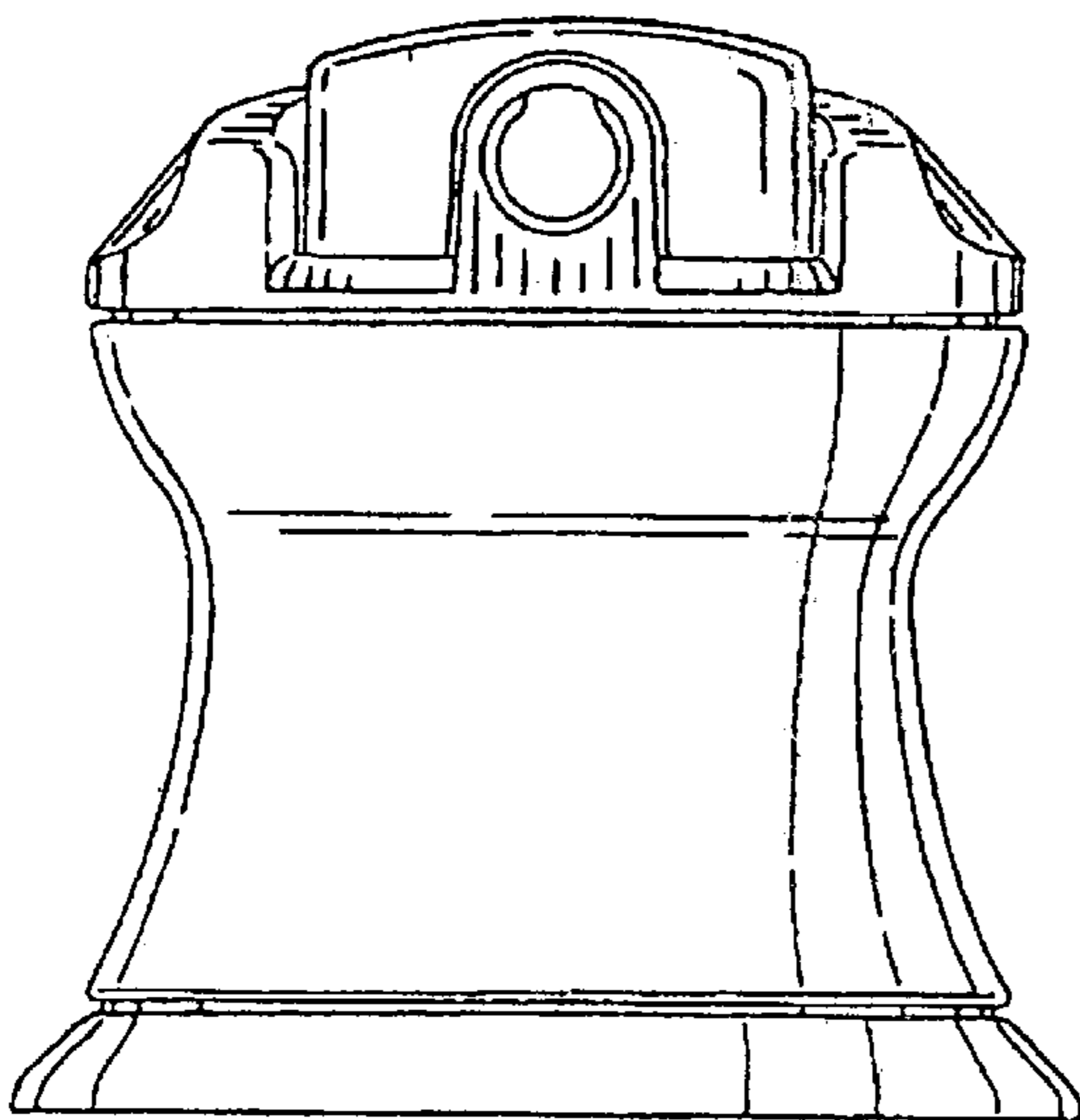


FIG. 5

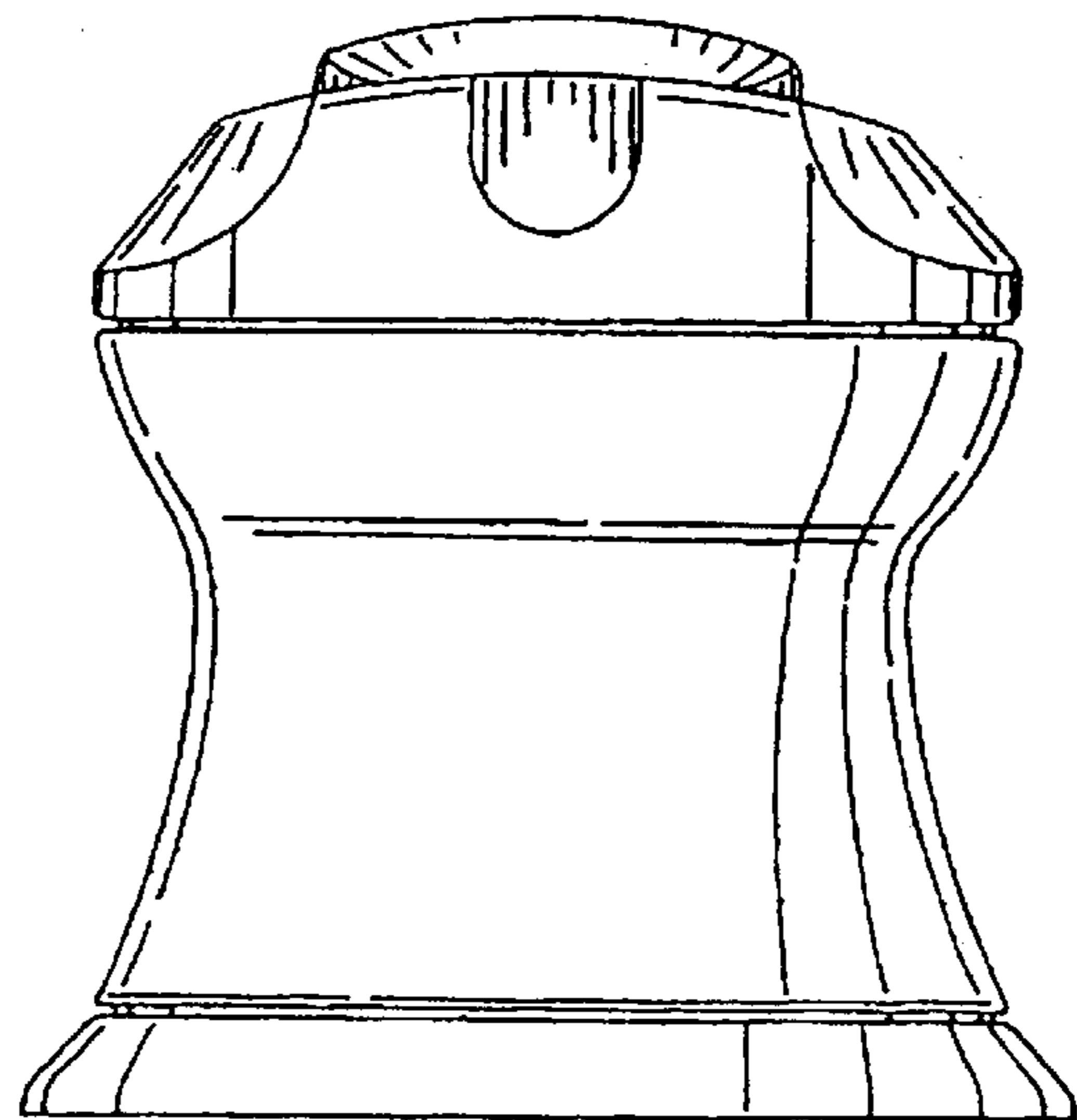


FIG. 6

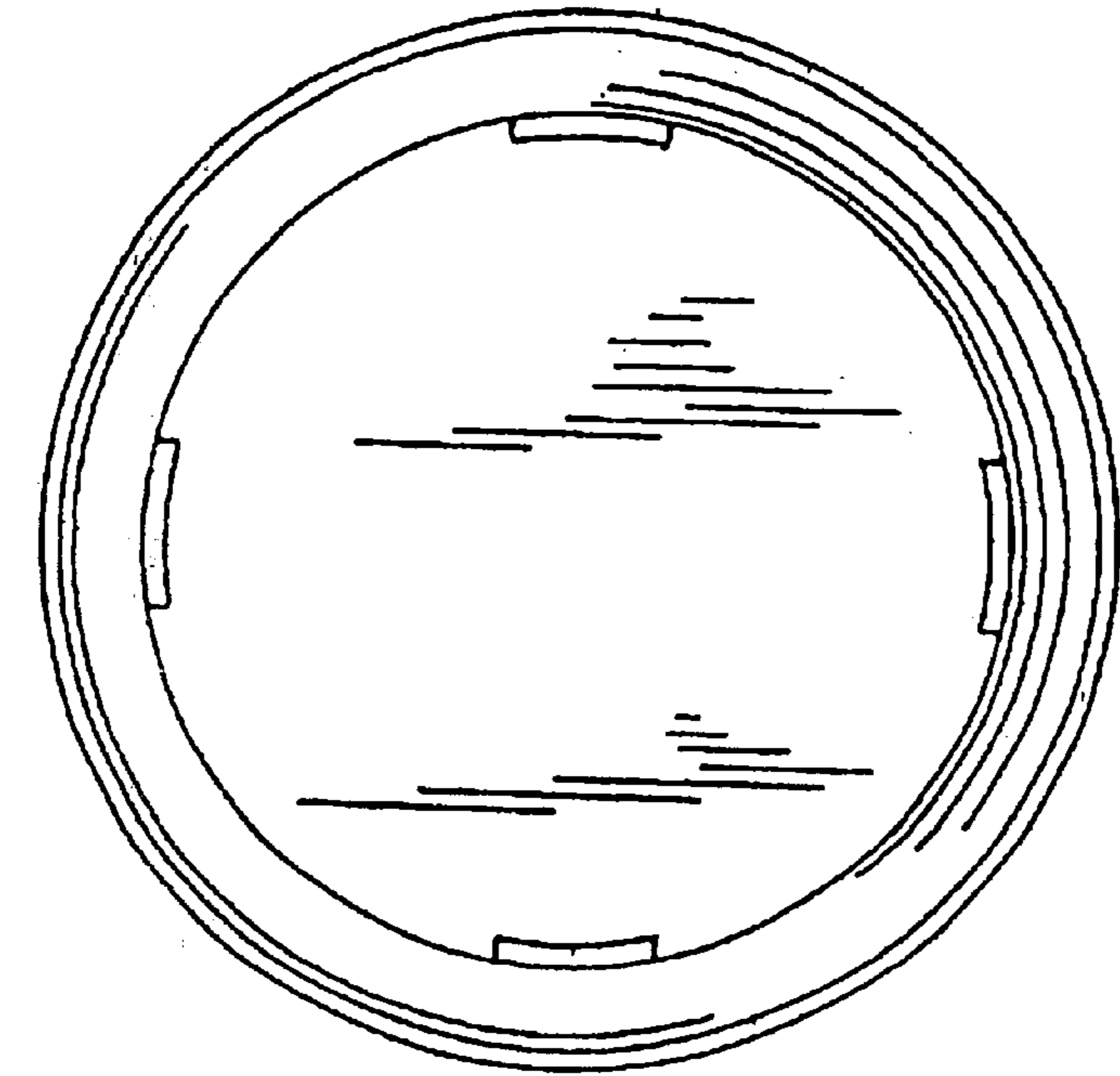


FIG. 7

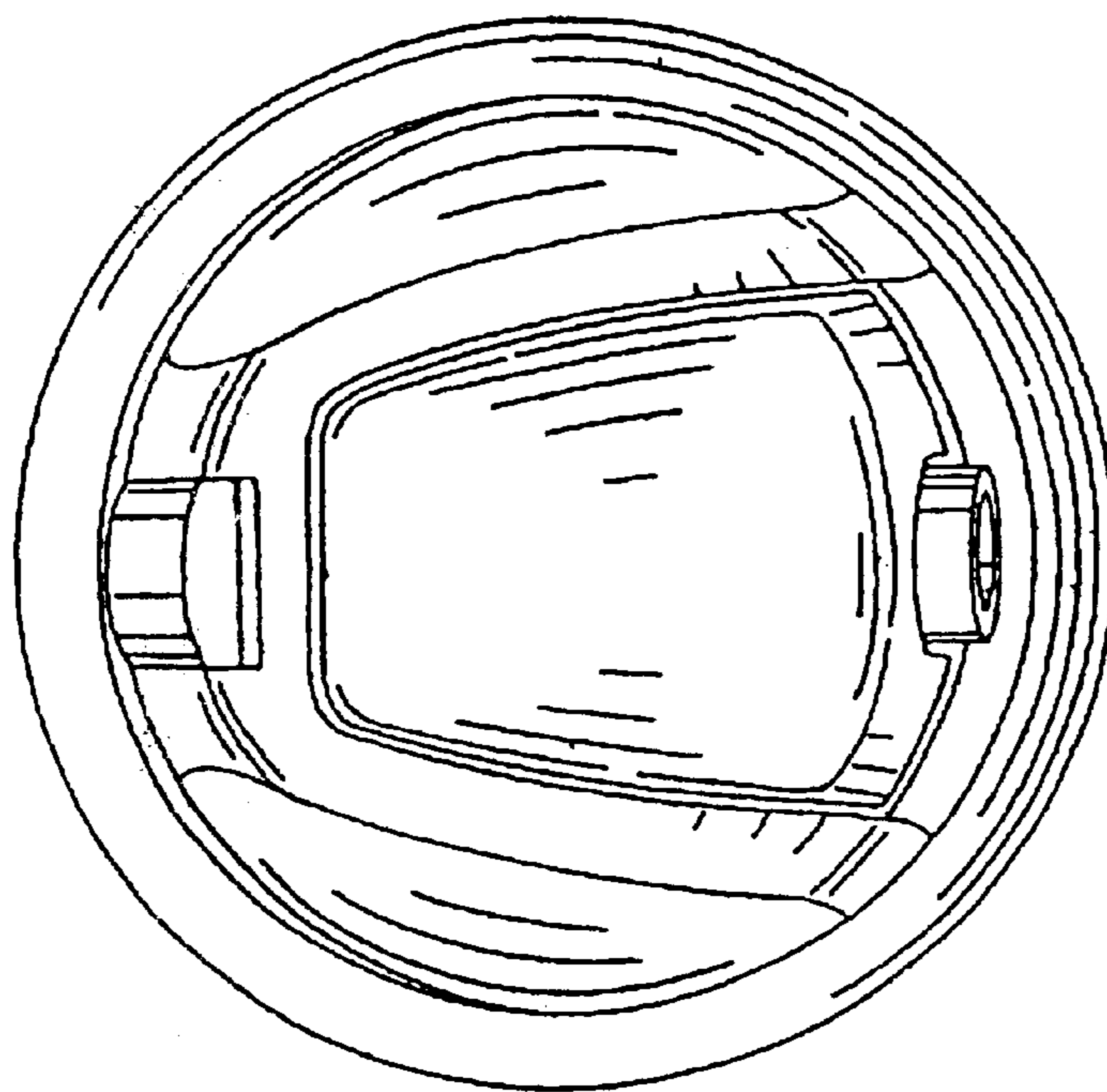


FIG. 8