



US00D530811S

(12) **United States Design Patent**
Ertze

(10) **Patent No.:** **US D530,811 S**
(45) **Date of Patent:** **** Oct. 24, 2006**

(54) **COMBINATION CEILING FAN HOUSING AND LIGHT FIXTURE**

(75) Inventor: **Pablo J. Ertze**, Rancho Cucamonga, CA (US)

(73) Assignee: **Air Cool Industrial Co., Ltd.**, Taichung (TW)

(**) Term: **14 Years**

(21) Appl. No.: **29/241,392**

(22) Filed: **Oct. 26, 2005**

(51) **LOC (8) Cl.** **23-04**

(52) **U.S. Cl.** **D23/411; 26/59**

(58) **Field of Classification Search** D23/411, D23/413, 377, 379, 385; 416/5; D26/59, D26/72, 81-88, 51
See application file for complete search history.

(56) **References Cited**

U.S. PATENT DOCUMENTS

| | | | | |
|-----------|----|-----------|---------|---------------|
| 5,508,484 | A | 4/1996 | Chen | |
| D387,149 | S | * 12/1997 | Tsuji | D23/377 |
| D396,530 | S | 7/1998 | Tai | |
| D398,394 | S | * 9/1998 | Pickett | D23/377 |
| D404,808 | S | 1/1999 | Tai | |
| D404,809 | S | 1/1999 | Tai | |
| D405,878 | S | 2/1999 | Tai | |
| D408,073 | S | 4/1999 | Tai | |
| D408,074 | S | 4/1999 | Tai | |
| D408,516 | S | 4/1999 | Tai | |
| D409,297 | S | 5/1999 | Tai | |
| 6,059,531 | A | 5/2000 | Tai | |
| 6,135,618 | A | 10/2000 | Tai | |
| 6,259,025 | B1 | 7/2001 | Tai | |
| 6,379,116 | B1 | 4/2002 | Tai | |
| D457,947 | S | 5/2002 | Tai | |
| 6,392,146 | B1 | 5/2002 | Tai | |
| D458,675 | S | 6/2002 | Tai | |
| D478,381 | S | 8/2003 | Tai | |
| D483,463 | S | 12/2003 | Tai | |
| D483,464 | S | 12/2003 | Tai | |
| D483,465 | S | 12/2003 | Tai | |

| | | | |
|----------|---|---------|-----|
| D483,847 | S | 12/2003 | Tai |
| D483,848 | S | 12/2003 | Tai |
| D483,849 | S | 12/2003 | Tai |
| D483,850 | S | 12/2003 | Tai |
| D484,588 | S | 12/2003 | Tai |
| D484,969 | S | 1/2004 | Tai |
| D485,344 | S | 1/2004 | Tai |
| D485,609 | S | 1/2004 | Tai |
| D485,611 | S | 1/2004 | Tai |
| D485,897 | S | 1/2004 | Tai |
| D490,888 | S | 6/2004 | Tai |
| D494,705 | S | 8/2004 | Tai |

(Continued)

Primary Examiner—Lisa Lichtenstein

(74) *Attorney, Agent, or Firm*—Morrison & Foerster LLP

(57) **CLAIM**

The ornamental design for a combination ceiling fan housing and light fixture, as shown and described.

DESCRIPTION

FIG. 1 is a perspective view of a combination ceiling fan housing and light fixture constructed in accordance with the present invention, the ceiling fan illustrates an environment for said fan housing and light;

FIG. 2 is an enlarged perspective view of a combination ceiling fan housing and light fixture in accordance with the present invention;

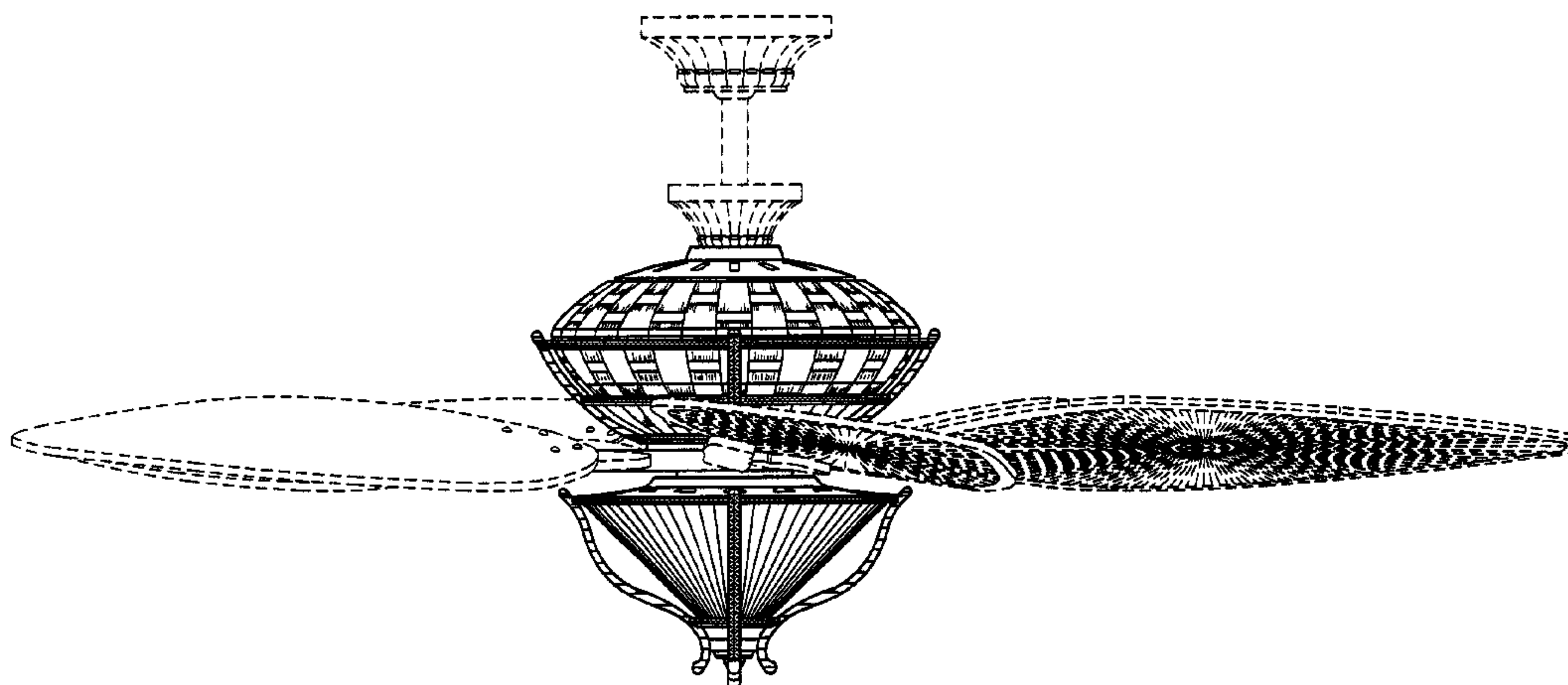
FIG. 3 is an enlarged perspective view of the combination ceiling fan housing and light fixture in accordance with the present invention;

FIG. 4 is an enlarged top view of the combination ceiling fan housing and light fixture in accordance with the present invention;

FIG. 5 is an enlarged bottom view of the combination ceiling fan housing and light fixture in accordance with the present invention; and,

FIG. 6 is an enlarged front view of the combination ceiling fan housing and light fixture, in accordance with the present invention, the side views and the rear view being substantially the same.

1 Claim, 6 Drawing Sheets



US D530,811 S

Page 2

U.S. PATENT DOCUMENTS

D501,578 S 2/2005 Tai
D503,472 S 3/2005 Tai
D503,473 S 3/2005 Tai
D503,474 S 3/2005 Tai
D503,475 S 3/2005 Tai
D503,476 S 3/2005 Tai

D503,795 S 4/2005 Tai
D504,173 S 4/2005 Cohen
D505,197 S 5/2005 Tai
D505,724 S 5/2005 Tai
D507,644 S 7/2005 Tai
D507,830 S 7/2005 Pan

* cited by examiner

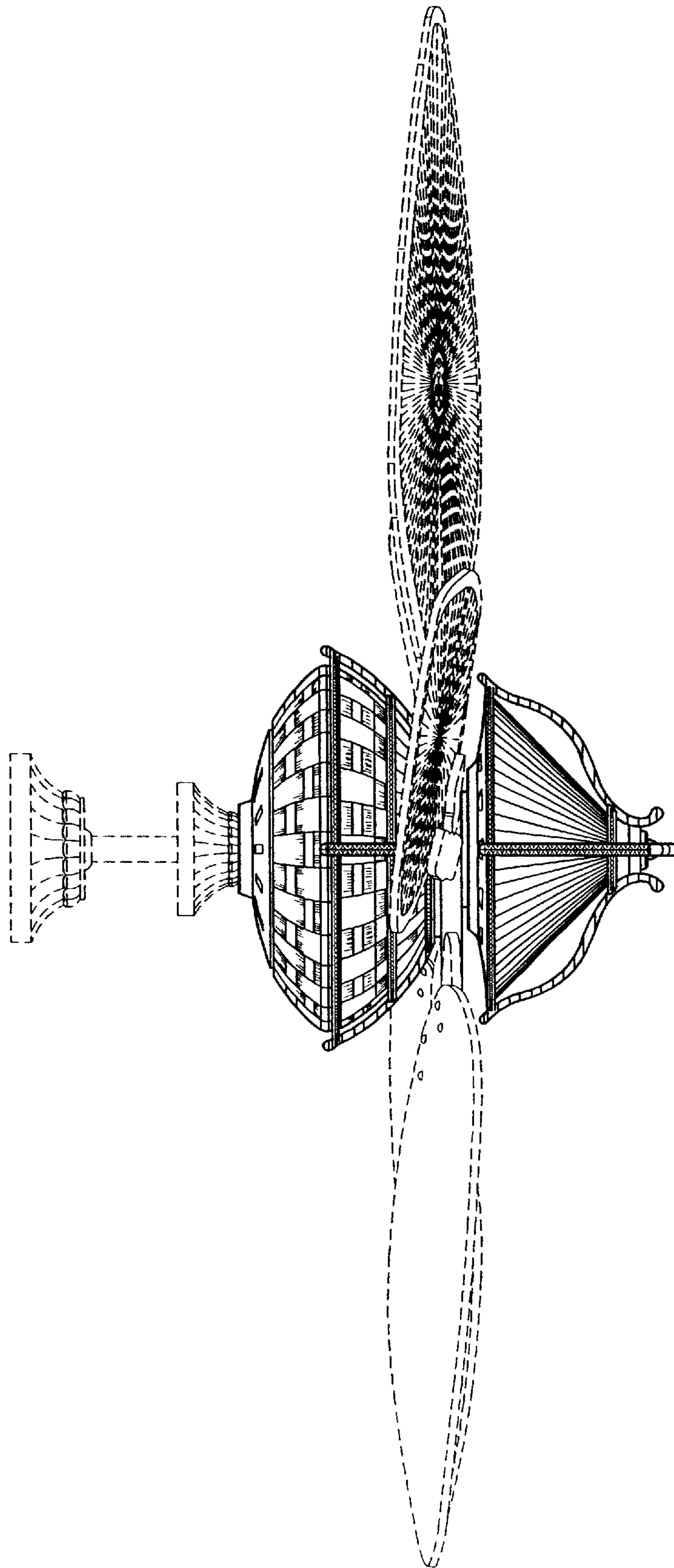


FIG. 1

Fig. 2

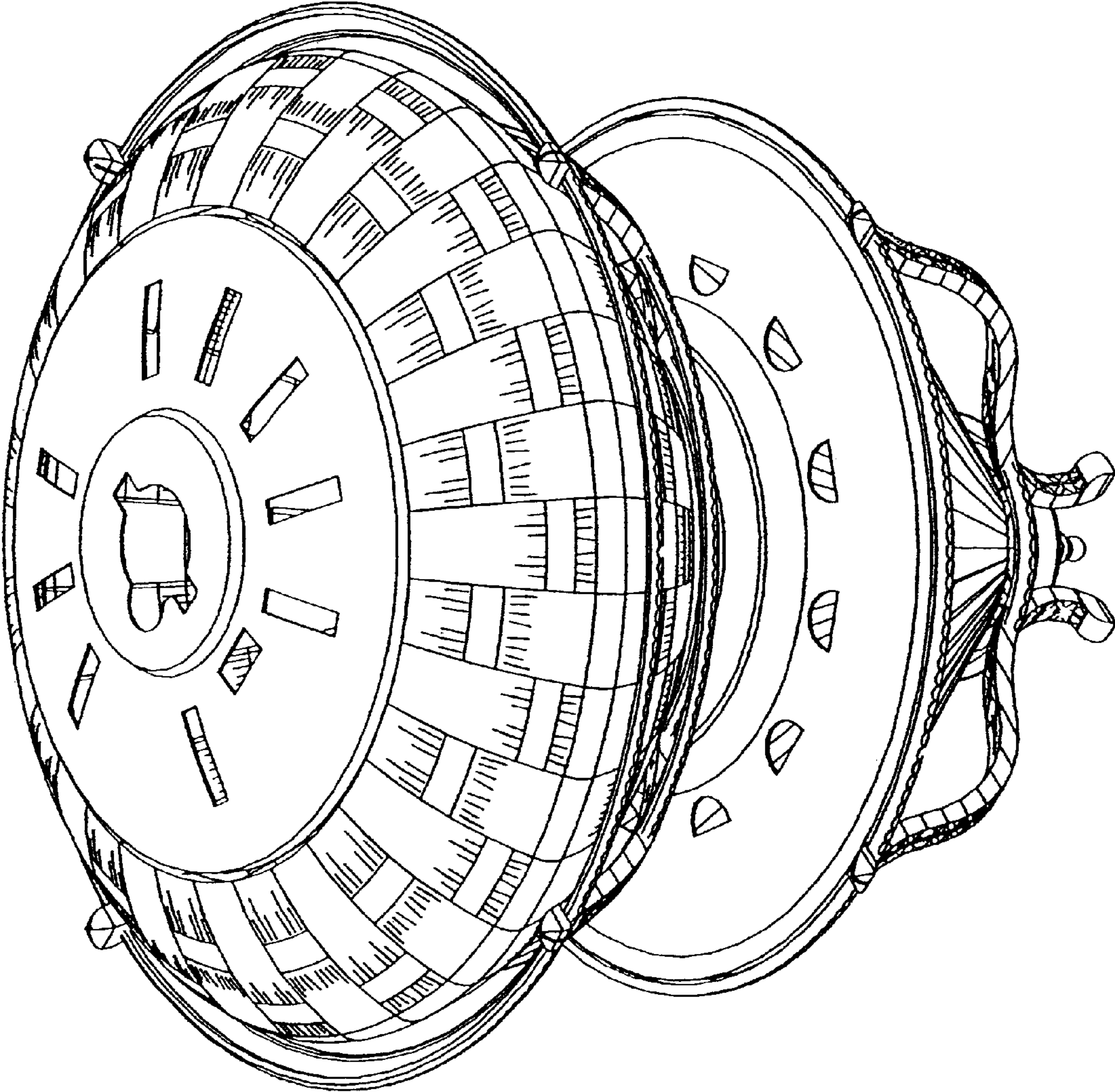


Fig. 3

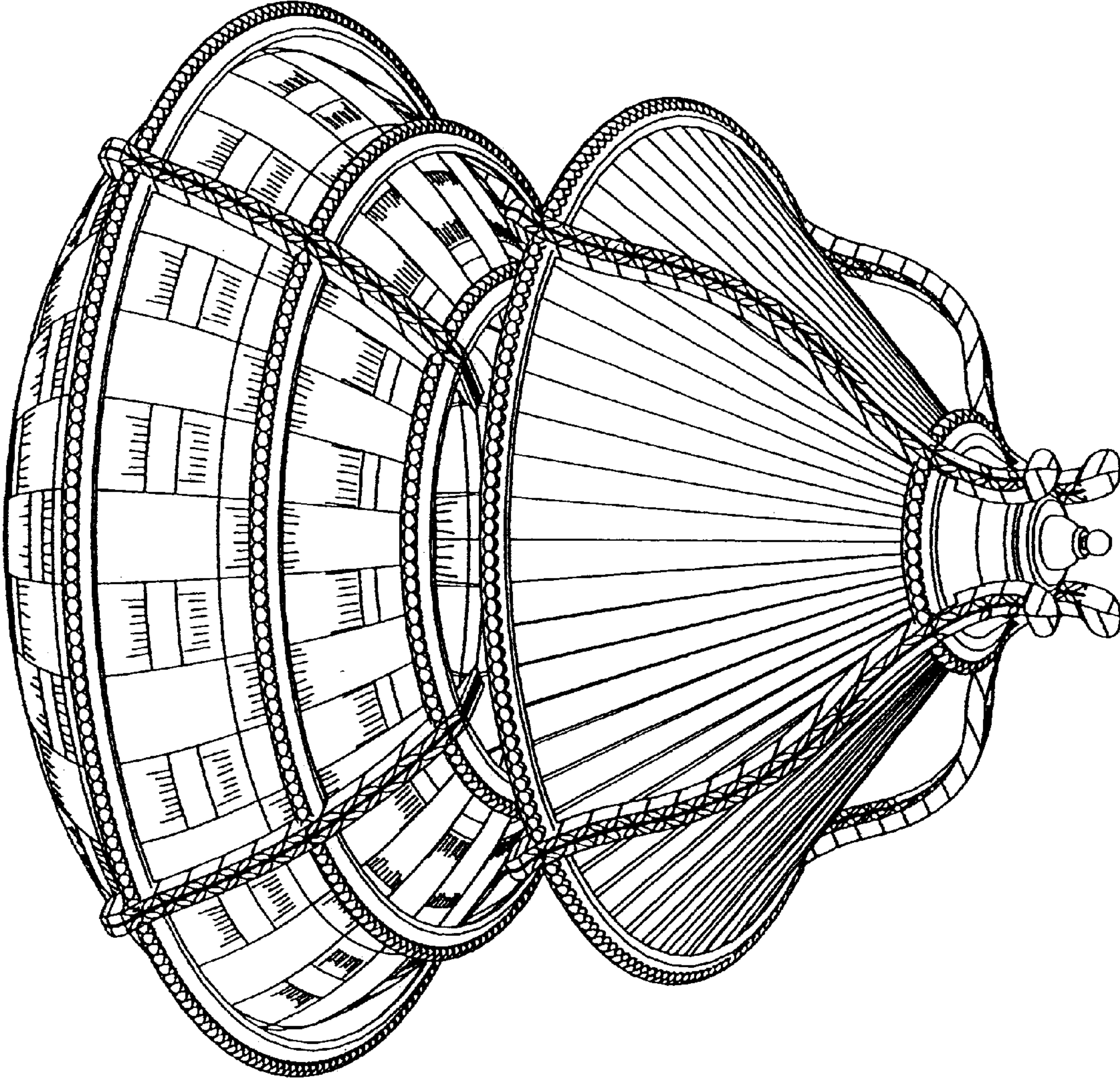


Fig. 4

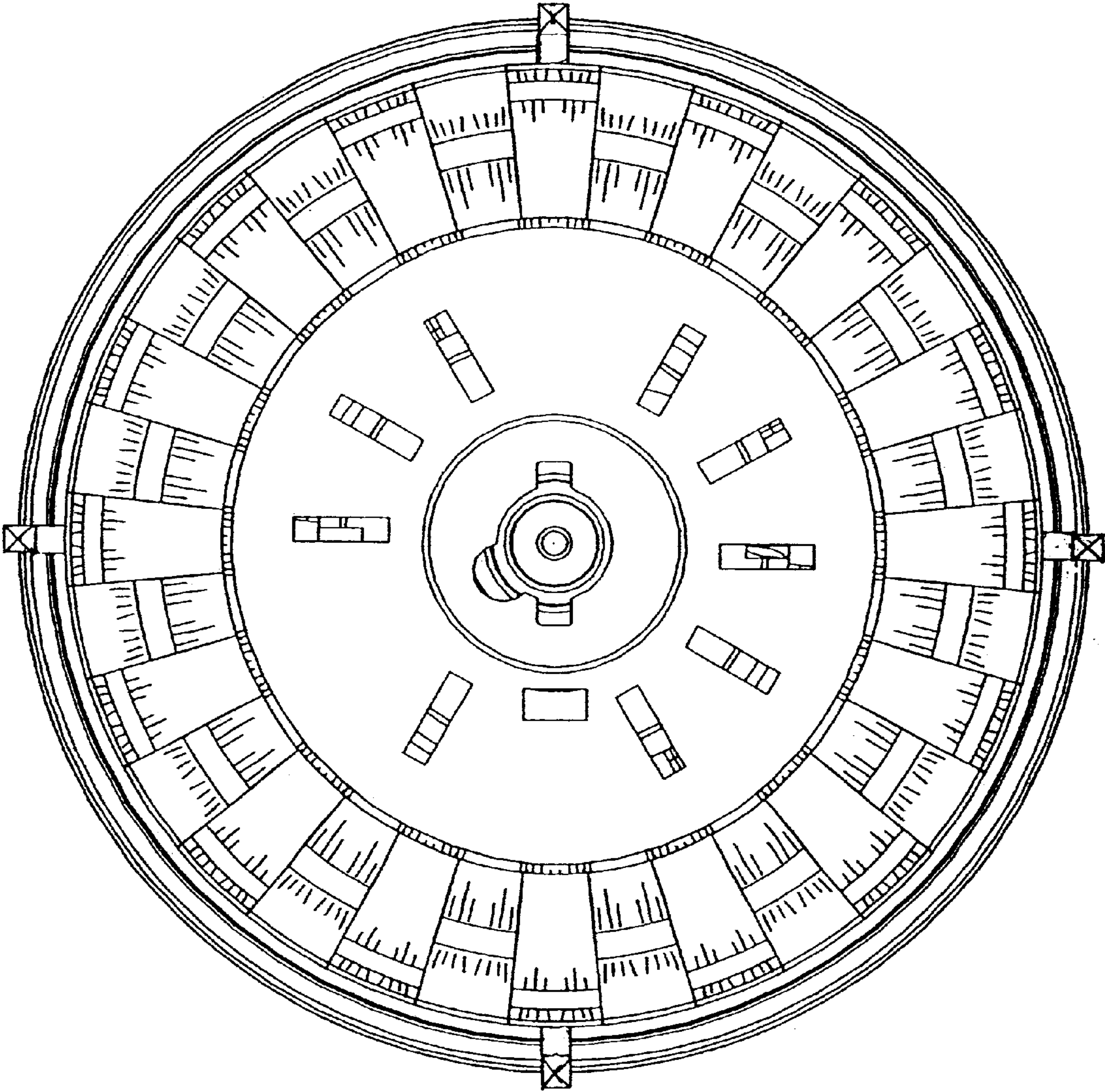


Fig. 5

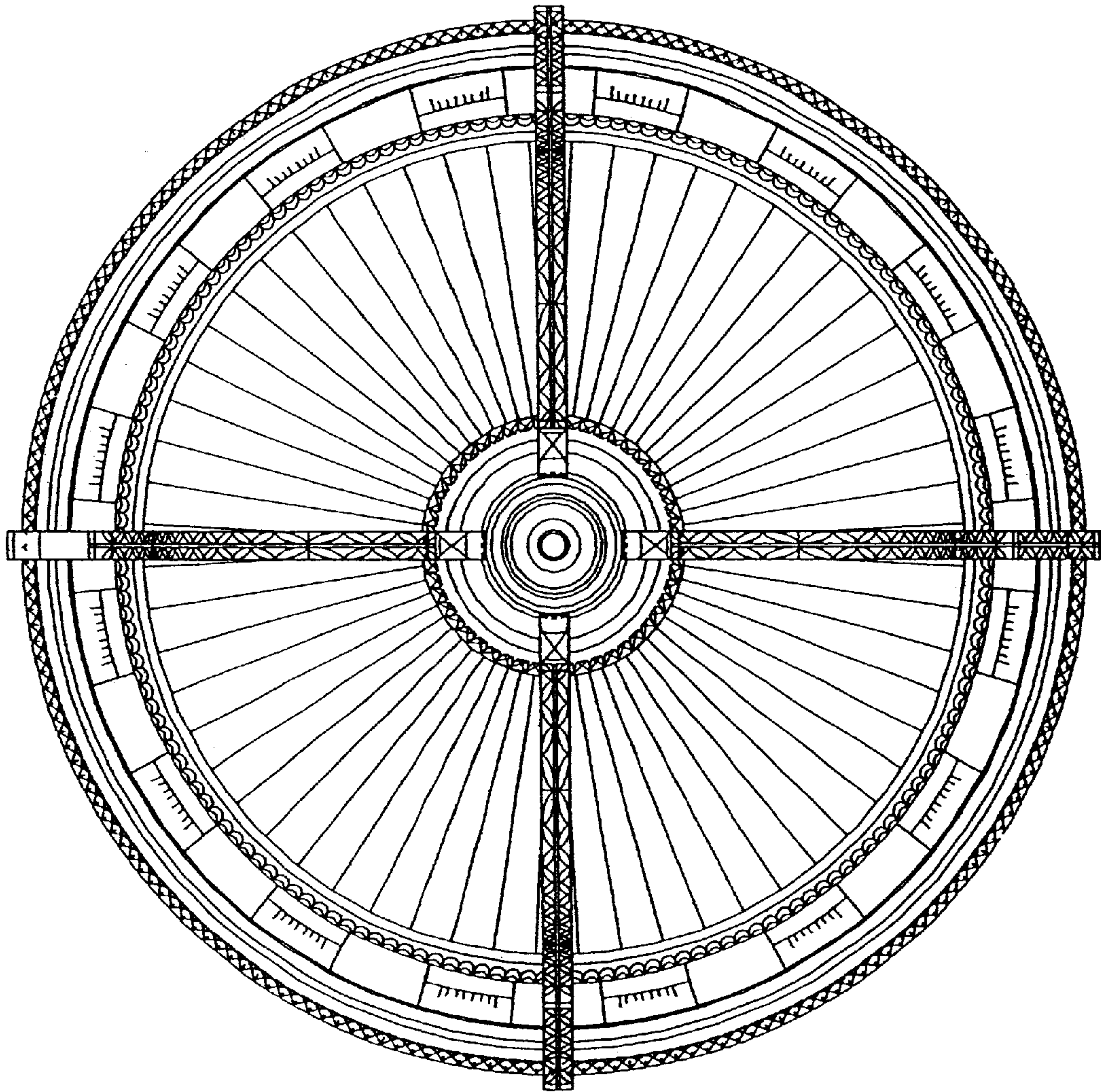


Fig. 6

