



US00D530810S

(12) **United States Design Patent**
Hidalgo et al.

(10) **Patent No.:** **US D530,810 S**
(45) **Date of Patent:** **** Oct. 24, 2006**

(54) **COMBINED CEILING FAN HOUSING AND ROTATABLE ARMS UNIT**

FOREIGN PATENT DOCUMENTS

(75) Inventors: **Rolando Hidalgo**, Orange, CA (US);
Mark Gajewski, Avila Beach, CA (US)

FR	600.812	2/1926
FR	985.034	7/1951
JP	57-110798	7/1982

(73) Assignee: **Minka Lighting, Inc.**, Corona, CA (US)

OTHER PUBLICATIONS

(**) Term: **14 Years**

Preview page in Residential Lighting magazine, p. 102, Jun. 2002.

(21) Appl. No.: **29/234,474**

Minka Lighting, Inc.; MinkaAire Two Thousand Two; Apr. 22, 2002; pp. 22, 23; Minka Lighting, Inc.; U.S.A.

(22) Filed: **Jul. 19, 2005**

Jandus/Adams-Bagnall Ceiling Fans; Ball Motor; Gyro circa 1906; David Friedlund; www.fancollectors.org/Jandus/gyro.jpg.

(51) **LOC (8) Cl.** **23-04**

(Continued)

(52) **U.S. Cl.** **D23/411**

Primary Examiner—Lisa Lichtenstein

(58) **Field of Classification Search** D23/377,
D23/379, 385, 411, 413; 392/364; 416/5

(74) *Attorney, Agent, or Firm*—Baker & McKenzie LLP

See application file for complete search history.

(57) **CLAIM**

(56) **References Cited**

The ornamental design for a combined ceiling fan housing and rotatable arms unit, as shown and described.

U.S. PATENT DOCUMENTS

DESCRIPTION

314,775 A	3/1885	Bailey
455,660 A	7/1891	Copper
532,789 A	1/1895	Ketcher
597,588 A	1/1898	Wood
697,588 A	4/1902	Wood
741,107 A	10/1903	Burnes
776,026 A	11/1904	Jacobson
816,759 A	4/1906	Stowe
1,056,668 A	3/1913	Happich, Jr.
1,094,540 A	4/1914	Dilg
1,115,479 A	11/1914	Ayres et al.
1,150,313 A	8/1915	Stauffer et al.
1,224,218 A	5/1917	Scheibe
1,226,076 A	5/1917	Jennings
1,227,291 A	5/1917	Miller
1,267,752 A	5/1918	Finch
1,270,832 A	7/1918	Jennings
1,295,618 A	2/1919	Shaw
1,332,875 A	3/1920	Ainsworth
1,334,781 A	3/1920	Morse

FIG. 1 is a perspective view from below of a combined ceiling fan housing and rotatable arms unit in accordance with our design;

FIG. 2 is a top plan view of the combined ceiling fan housing and rotatable arms unit in accordance with our design;

FIG. 3 is a bottom plan view of the combined ceiling fan housing and rotatable arms unit in accordance with our design;

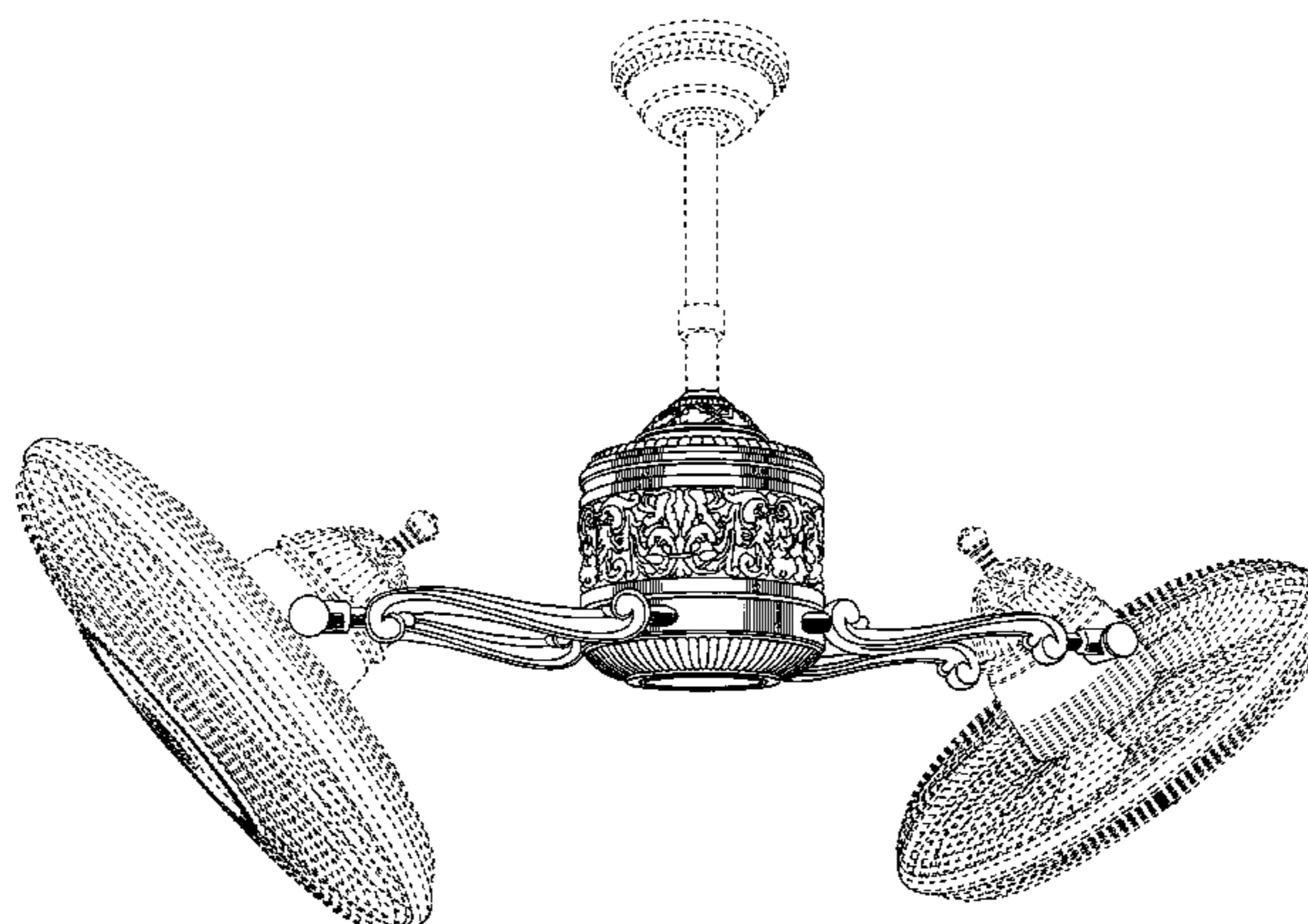
FIG. 4 is a side elevation view of the combined ceiling fan housing and rotatable arms unit in accordance with our design, the opposite side being a mirror image of that shown; and,

FIG. 5 is a front perspective view from below of the combined ceiling fan housing and rotatable arms unit in accordance with our design.

The broken lines showing environmental structure are for illustrative purposes and form no part of the claimed invention.

(Continued)

1 Claim, 5 Drawing Sheets



US D530,810 S

Page 2

U.S. PATENT DOCUMENTS

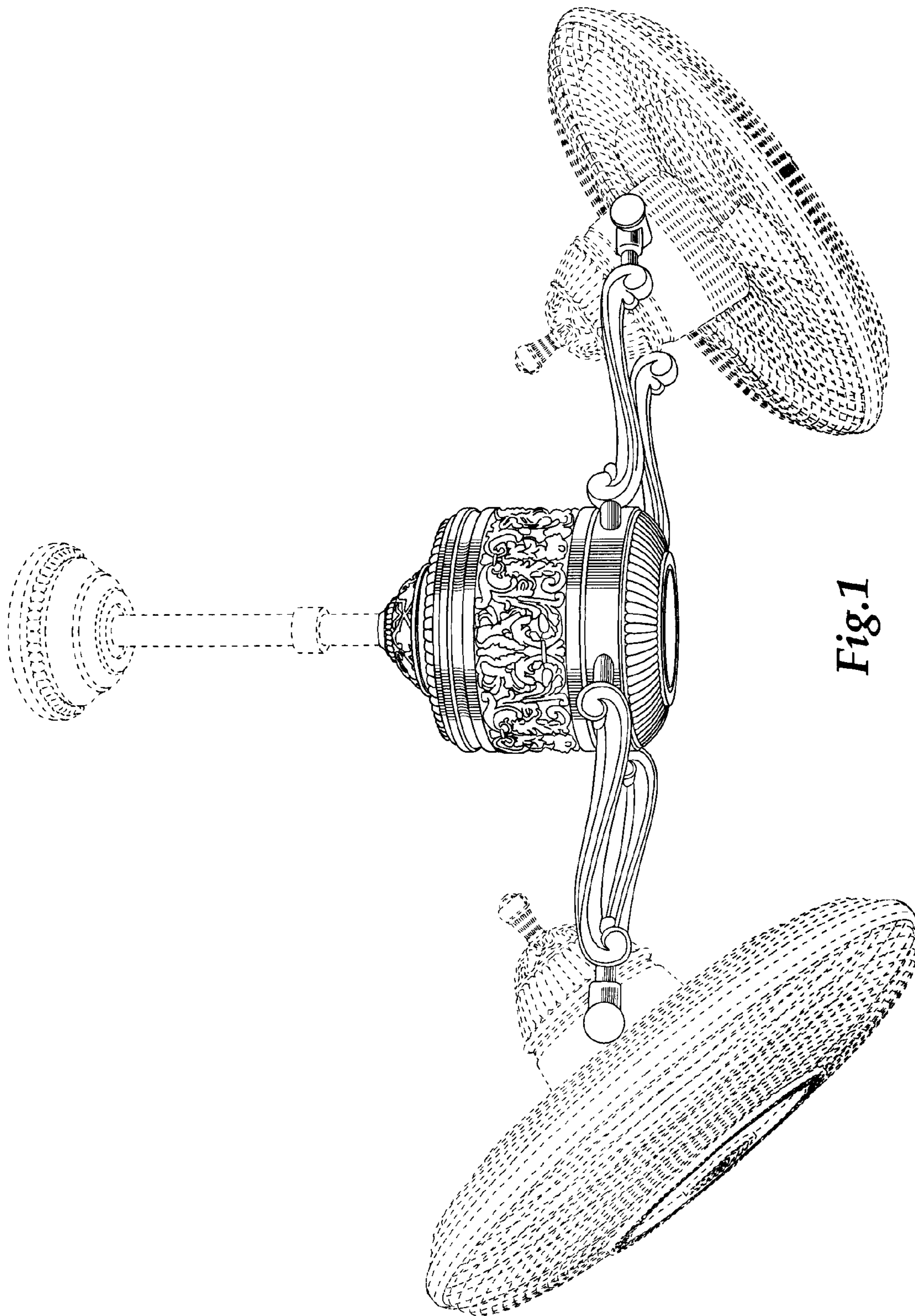
1,485,241 A 2/1924 Aronoff
1,517,623 A 12/1924 Francois
1,826,458 A 10/1931 Cooper
1,903,615 A 4/1933 Towt
2,119,398 A 5/1938 Morse
2,237,039 A 4/1941 Newnham
3,033,049 A 5/1962 Morrow
4,391,570 A 7/1983 Stutzman
4,471,250 A 9/1984 Snider
4,560,321 A 12/1985 Kawai
4,621,992 A 11/1986 Angott
4,640,668 A 2/1987 Yang
4,687,977 A 8/1987 Brahmavar et al.
4,720,241 A 1/1988 Markwardt
4,878,806 A 11/1989 Markwardt
D313,467 S 1/1991 Fampton
5,411,372 A 5/1995 Clark
5,443,625 A 8/1995 Schaffhausen
5,668,920 A 9/1997 Pelonis
D400,241 S * 10/1998 Jaspers-Fayer et al. D23/377
D408,905 S 4/1999 Hajikyriacou
5,951,253 A 9/1999 Gajewski
6,022,118 A 2/2000 Wu
6,022,189 A 2/2000 Yu
D426,630 S 6/2000 Gajewski
D426,879 S 6/2000 Gajewski
6,074,182 A 6/2000 Matson
D434,490 S * 11/2000 Tsuji et al. D23/411
6,146,191 A 11/2000 Kerr, Jr. et al.
6,158,964 A 12/2000 Gajewski
6,171,060 B1 1/2001 Gajewski
6,250,885 B1 6/2001 Gajewski
D446,851 S * 8/2001 Lee D23/411
D451,593 S * 12/2001 Lee D23/411

D451,996 S 12/2001 Liu
6,354,801 B1 3/2002 Gajewski
6,357,714 B1 3/2002 Johnson
D456,073 S 4/2002 Frampton
6,364,617 B1 4/2002 Riske et al.
6,364,638 B1 4/2002 Liu
6,517,316 B1 2/2003 Gajewski
D478,404 S * 8/2003 Wardlaw D1/106
D478,975 S * 8/2003 Gajewski D23/377
D484,233 S * 12/2003 Bucher et al. D23/377
D485,608 S * 1/2004 Chen D23/377
D489,443 S 5/2004 Gajewski
D489,809 S 5/2004 Gajewski
D490,146 S 5/2004 Gajewski
6,832,902 B1 12/2004 Gajewski et al.

OTHER PUBLICATIONS

Jandus/Adams-Bagnall Ceiling Fans; National Screw & Tack Company; Gyro circa 1927; A.S.M.; www.fancollectors.org/Jandus/nsgyro.jpg.
Matthews Fan Company Internet Catalog, Model Duplo-Dinamico; printed from www.fanworksoutlet.com on May 16, 2005.
AireTek Internet Catalog; Mars; Model #ATFN36330CH-N; printed from www.fanworksoutlet.com on May 16, 2005.
AireTek Internet Catalog; Neptune; Model #ATFN42440CH-N; printed from www.fanworksoutlet.com on May 16, 2005.
Fanimation Internet Catalog; Old Havana; Model #FNFPH81RS; printed from www.fanworksoutlet.com on May 16, 2005.

* cited by examiner



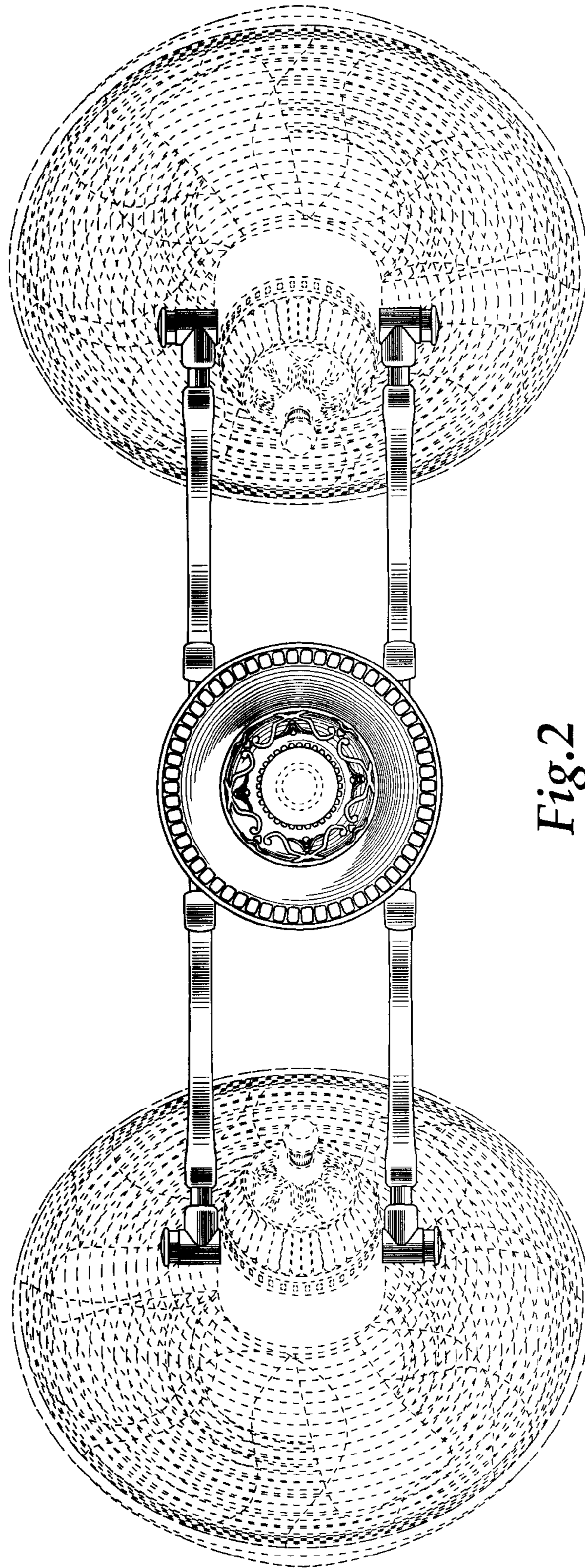


Fig. 2

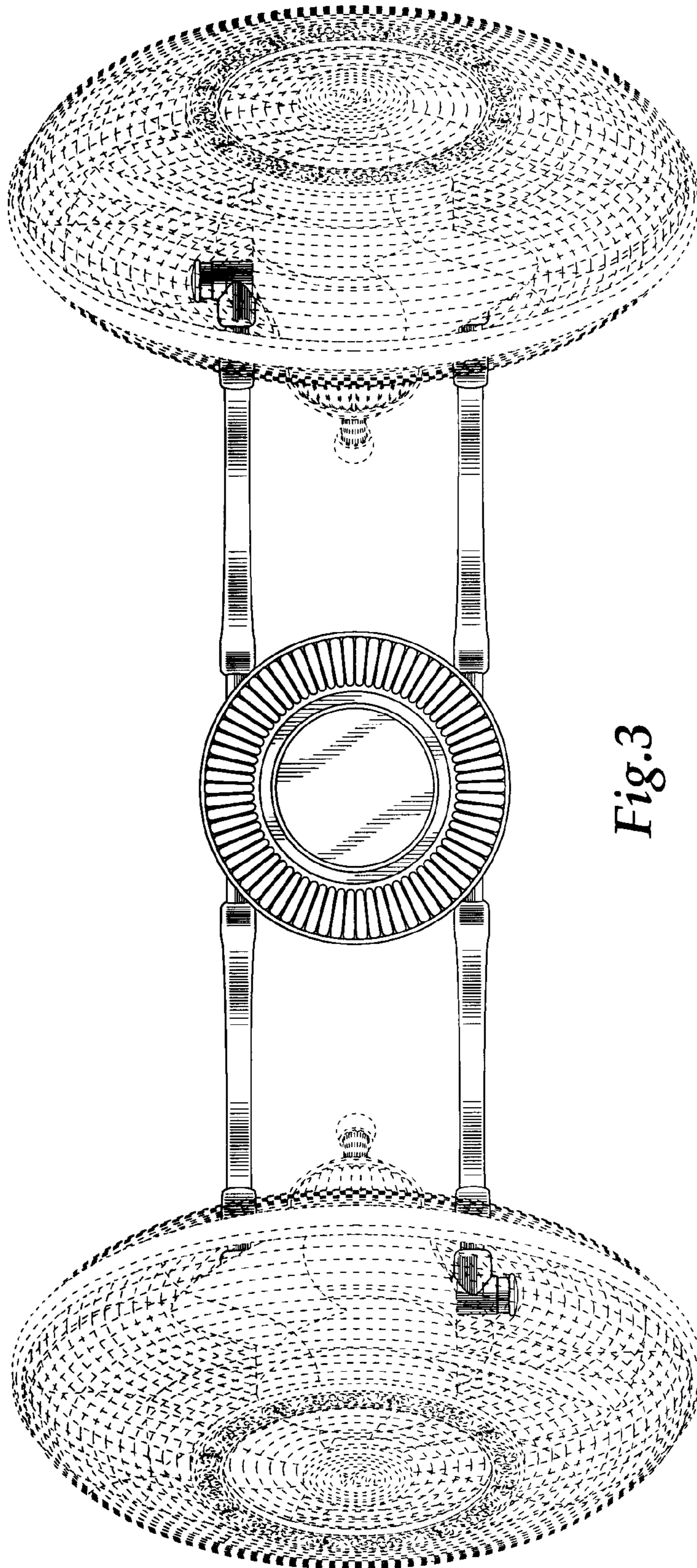


Fig. 3

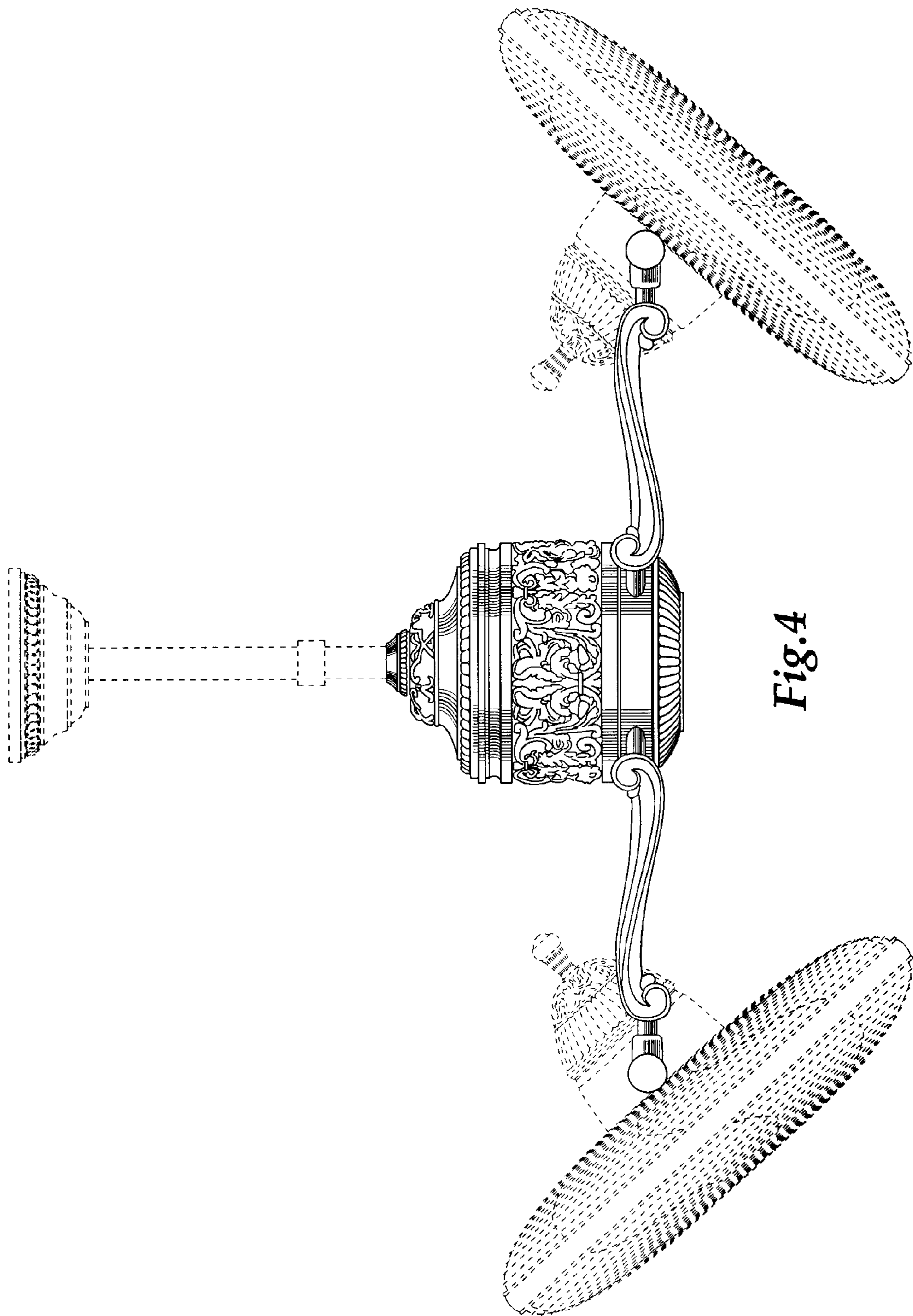


Fig. 4

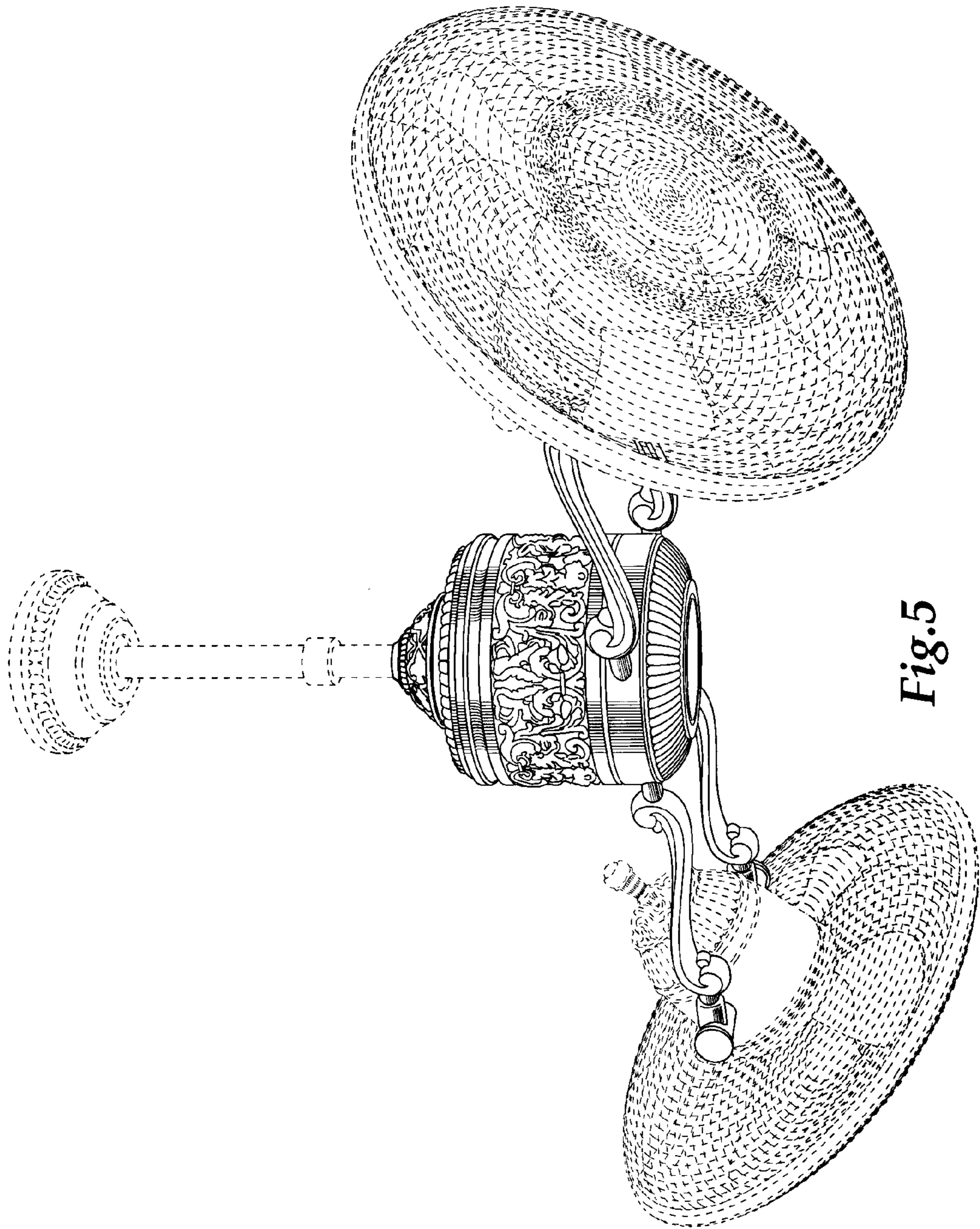


Fig. 5