



US00D530807S

(12) **United States Design Patent**
Miyagishima et al.

(10) **Patent No.:** **US D530,807 S**

(45) **Date of Patent:** **** Oct. 24, 2006**

(54) **AIR FILTER**

(75) Inventors: **Stuart T. Miyagishima**, Upland, CA (US); **Shahriar Nick Niakan**, Anaheim Hills, CA (US); **Charlie Norris**, San Diego, CA (US); **Christopher M. Barron**, Riverside, CA (US); **Christopher C. Beau**, Murrieta, CA (US)

(73) Assignee: **Advanced Flow Engineering, Inc.**, Corona, CA (US)

(**) Term: **14 Years**

(21) Appl. No.: **29/228,811**

(22) Filed: **Apr. 28, 2005**

(51) **LOC (8) Cl.** **23-04**

(52) **U.S. Cl.** **D23/365; D15/5**

(58) **Field of Classification Search** D23/365; D15/5; 55/385.3, 385.5

See application file for complete search history.

(56) **References Cited**

U.S. PATENT DOCUMENTS

3,293,830 A * 12/1966 McKinlay 96/380

D269,294 S * 6/1983 Rakocy et al. D23/365
D322,075 S * 12/1991 Jennings et al. D15/5
D401,597 S 11/1998 Shelton et al.
D401,684 S 11/1998 Shelton et al.
D401,942 S 12/1998 Shelton et al.
D403,416 S 12/1998 Shelton et al.
D. 401,597 C1 8/2001 Shelton et al.
6,340,375 B1 * 1/2002 DePietro et al. 55/385.3
6,884,274 B1 4/2005 Niakan et al.

* cited by examiner

Primary Examiner—Robin Webster

(74) *Attorney, Agent, or Firm*—Shimokaji & Associates, P.C.

(57) **CLAIM**

The ornamental design for an air filter, as shown and described.

DESCRIPTION

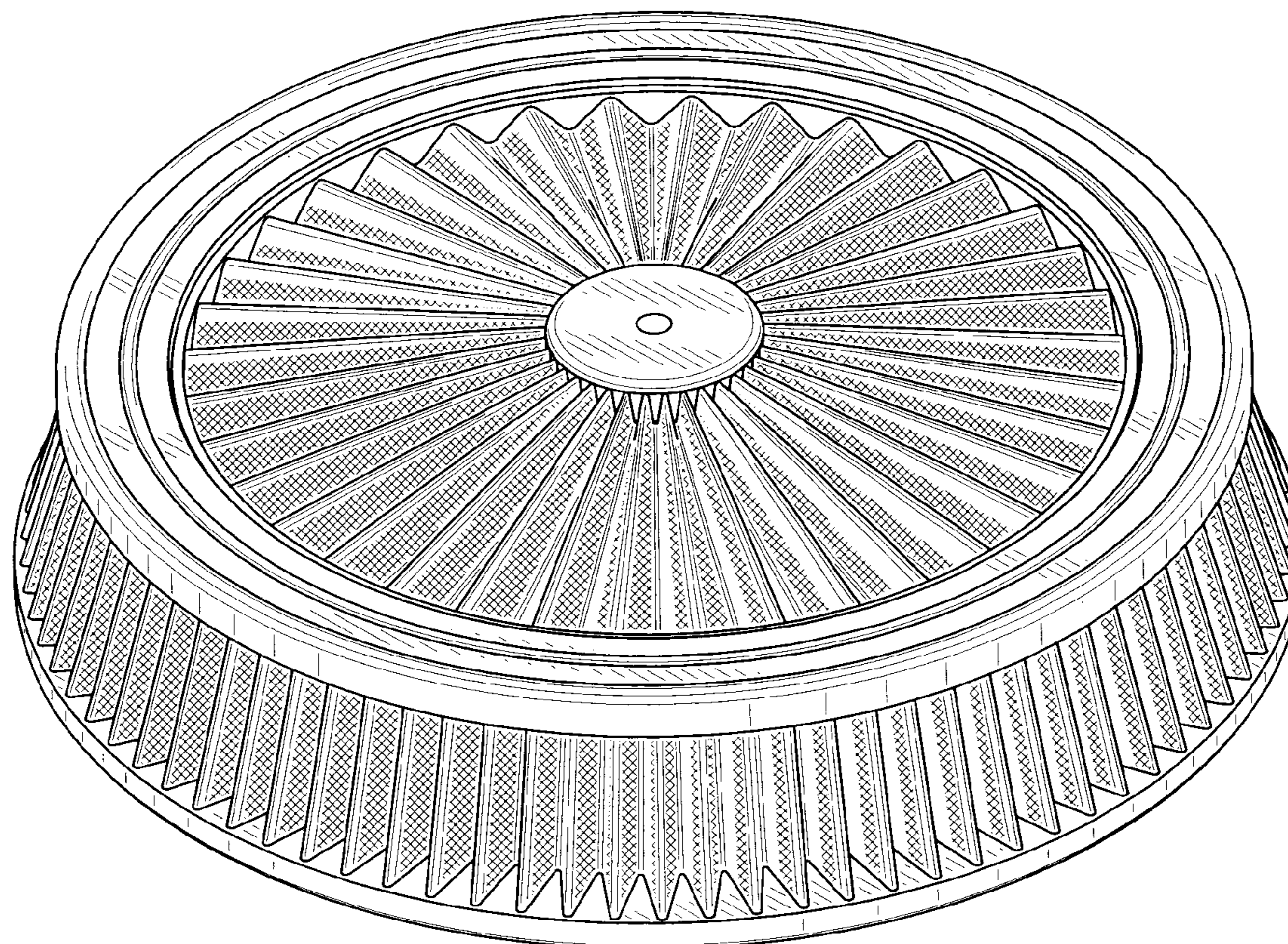
FIG. 1 is a perspective view of an air filter showing our design;

FIG. 2 is a side elevational view thereof;

FIG. 3 is a top plan view thereof; and,

FIG. 4 is a bottom plan view thereof.

1 Claim, 4 Drawing Sheets



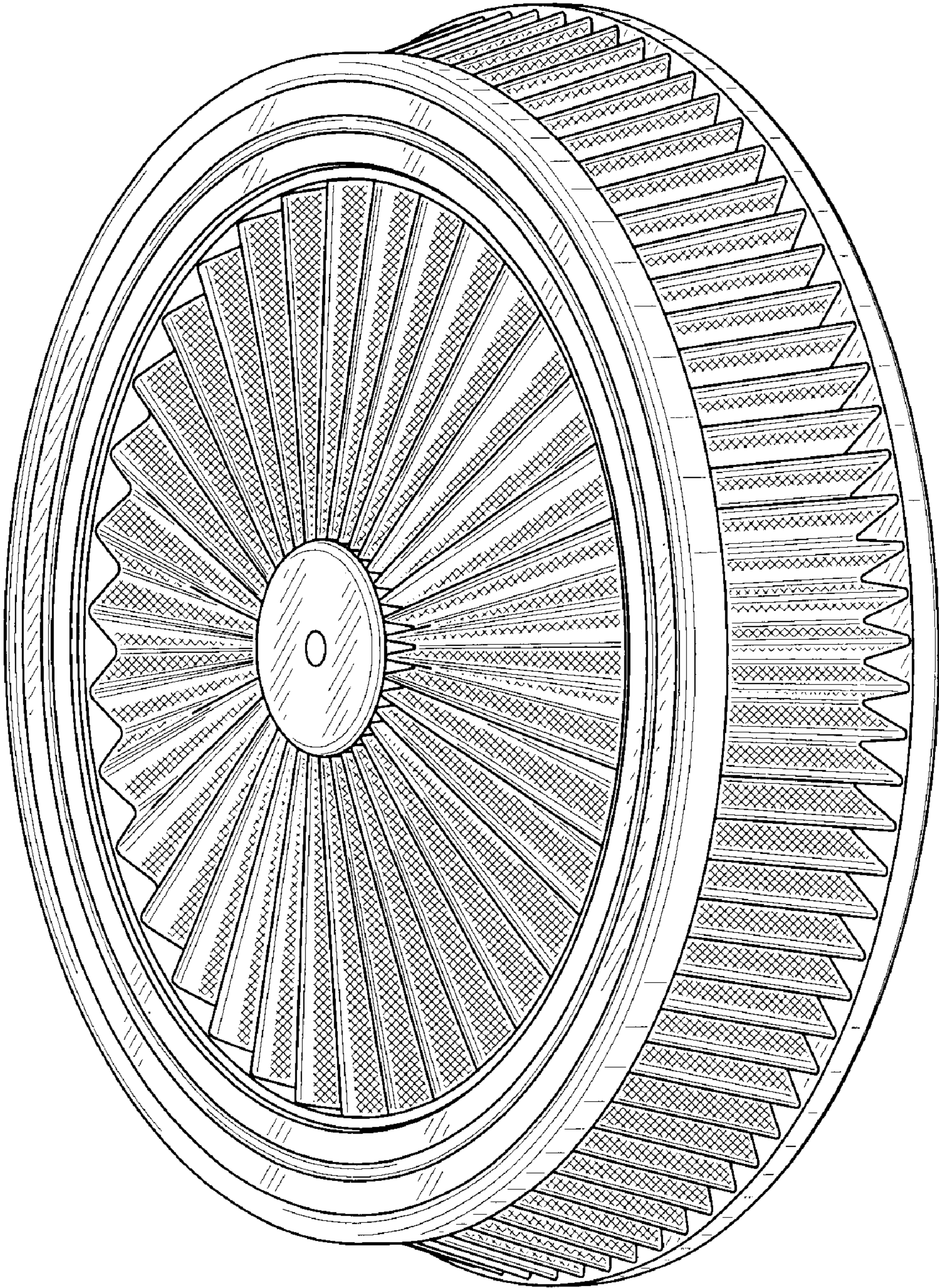


FIG. 1

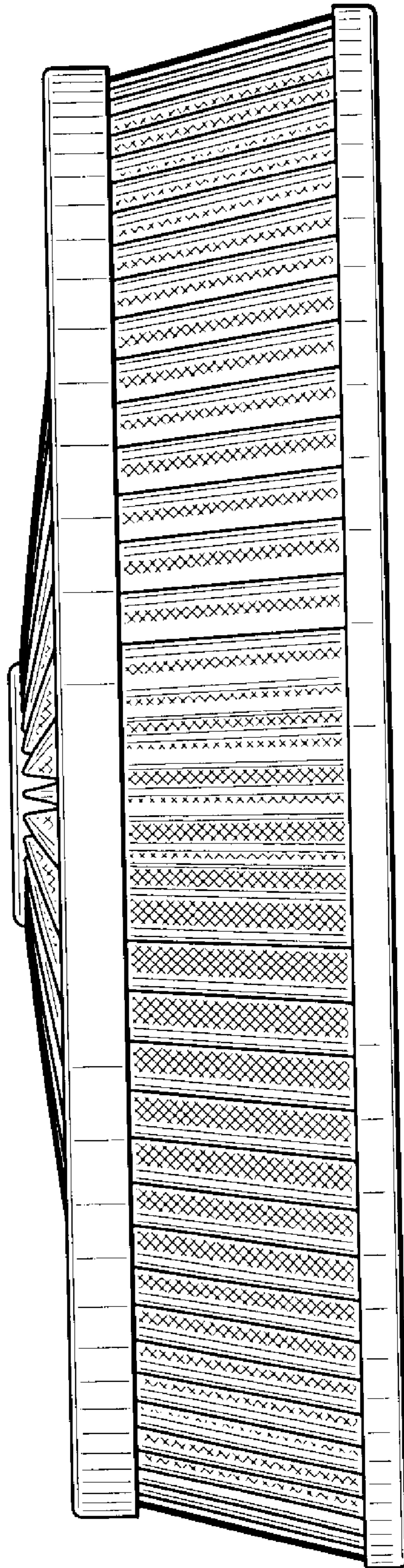


FIG. 2

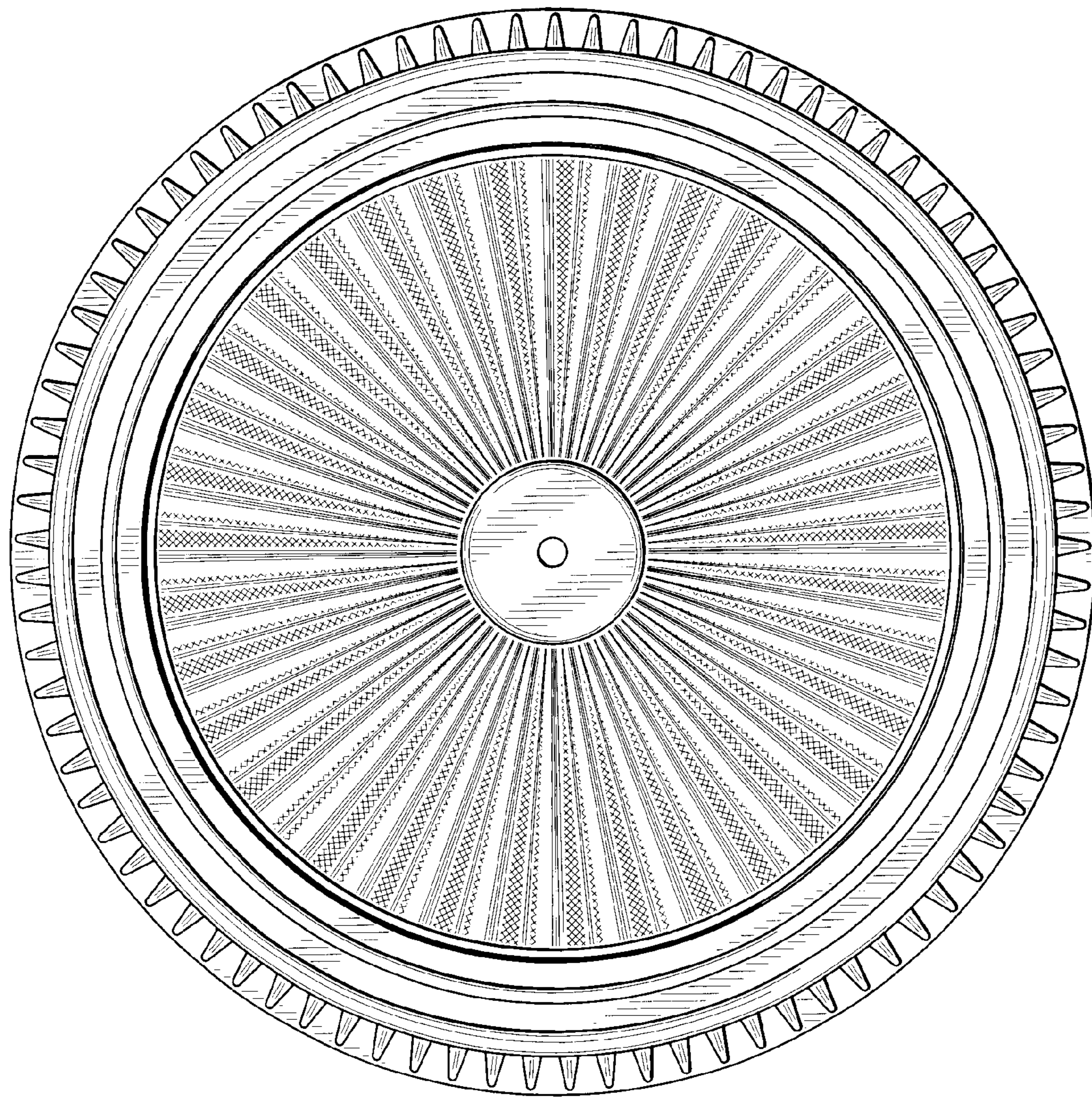


FIG. 3

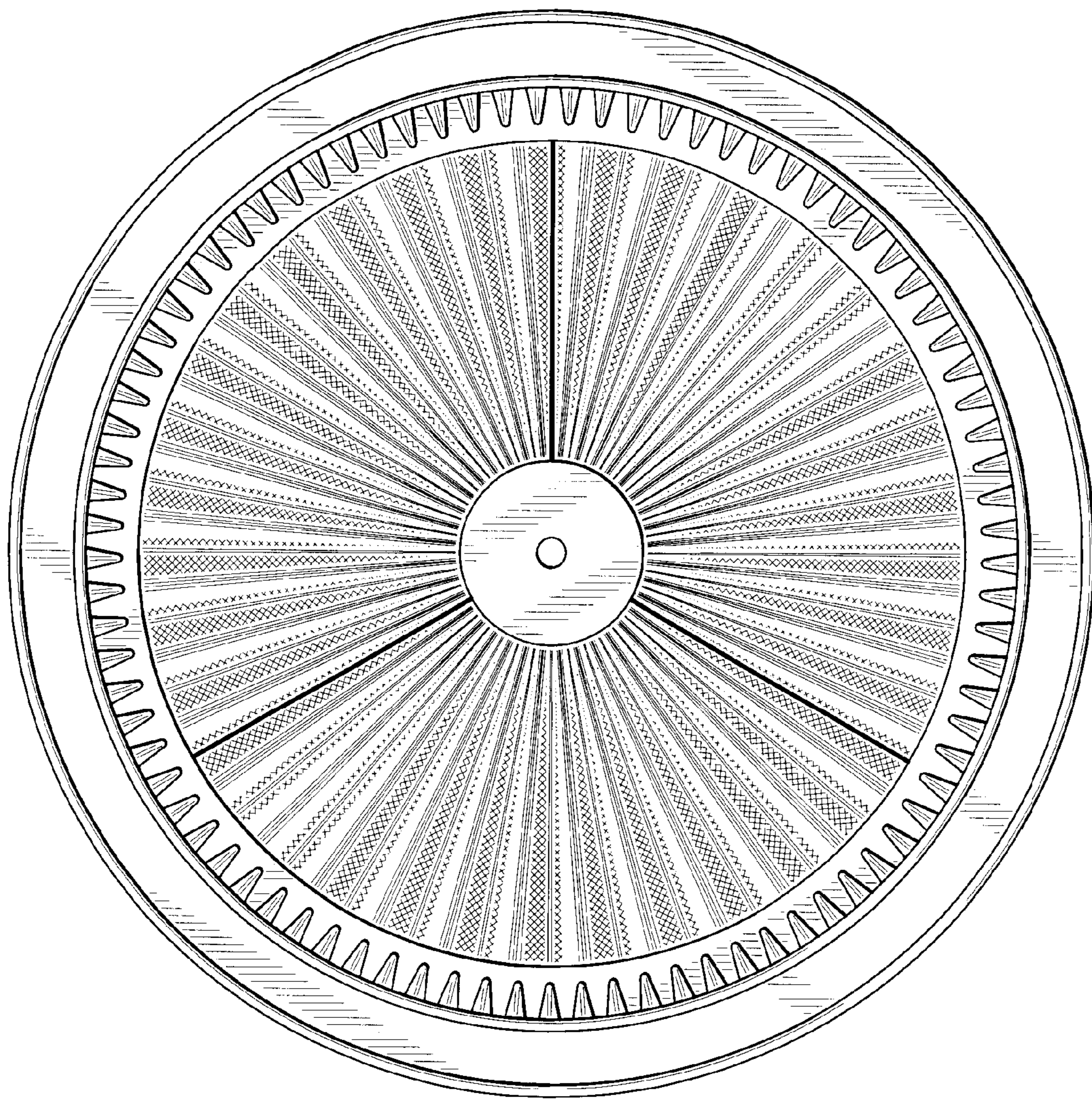


FIG. 4