



US00D530806S

(12) **United States Design Patent**
Holquin-Remolina

(10) **Patent No.:** **US D530,806 S**

(45) **Date of Patent:** **** Oct. 24, 2006**

(54) **AIR CLEANER**

D492,400 S * 6/2004 Smith et al. D23/364
D496,991 S * 10/2004 Yang D23/355

(75) Inventor: **Jose Manuel Holquin-Remolina**, Las
Aquilas (MX)

* cited by examiner

(73) Assignee: **Applica Consumer Products, Inc.**,
Miramar, FL (US)

Primary Examiner—Robin Webster
(74) *Attorney, Agent, or Firm*—Baker Botts L.L.P.

(**) Term: **14 Years**

(57) **CLAIM**

(21) Appl. No.: **29/227,845**

I claim the ornamental design for an air cleaner, as shown
and described.

(22) Filed: **Apr. 14, 2005**

DESCRIPTION

(51) **LOC (8) Cl.** **23-04**

(52) **U.S. Cl.** **D23/364**

(58) **Field of Classification Search** D23/355,
D23/364-5; 55/467, 471-2

See application file for complete search history.

FIG. 1 is a perspective view, taken from the top, front and
right side, illustrating my new design of an air cleaner;
FIG. 2 is a top plan view thereof;
FIG. 3 is a bottom plan view thereof;
FIG. 4 is a front elevation view thereof;
FIG. 5 is a rear elevation view thereof;
FIG. 6 is a left side elevation view thereof; and,
FIG. 7 is a right side elevation view thereof.

The broken line showing is for illustrative purposes only and
forms no part of the claimed design.

(56) **References Cited**

U.S. PATENT DOCUMENTS

D344,791 S * 3/1994 Cuning D23/364
D396,529 S * 7/1998 Yuen D23/366
D429,627 S * 8/2000 Gradwell D8/382

1 Claim, 5 Drawing Sheets

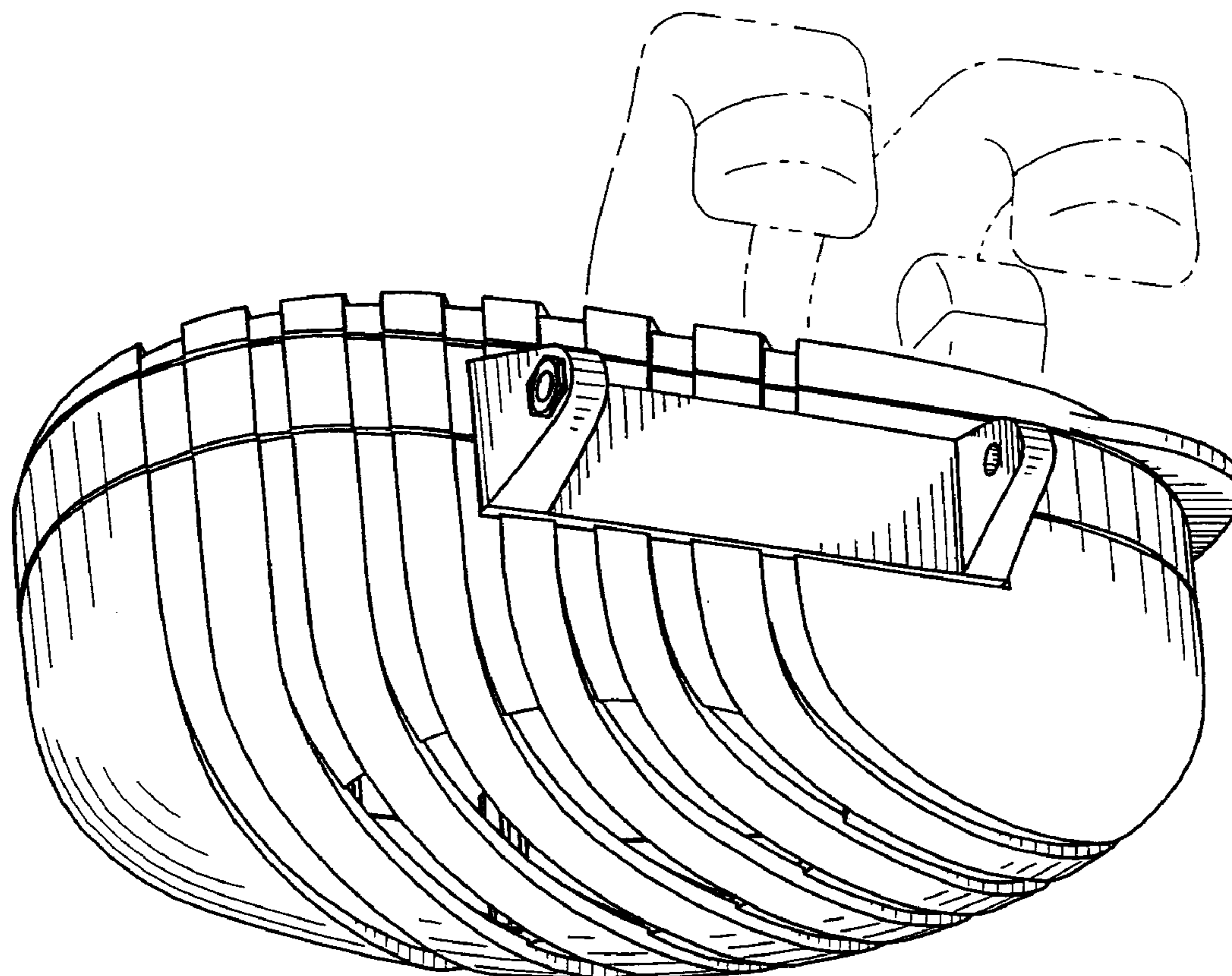


FIG. 1

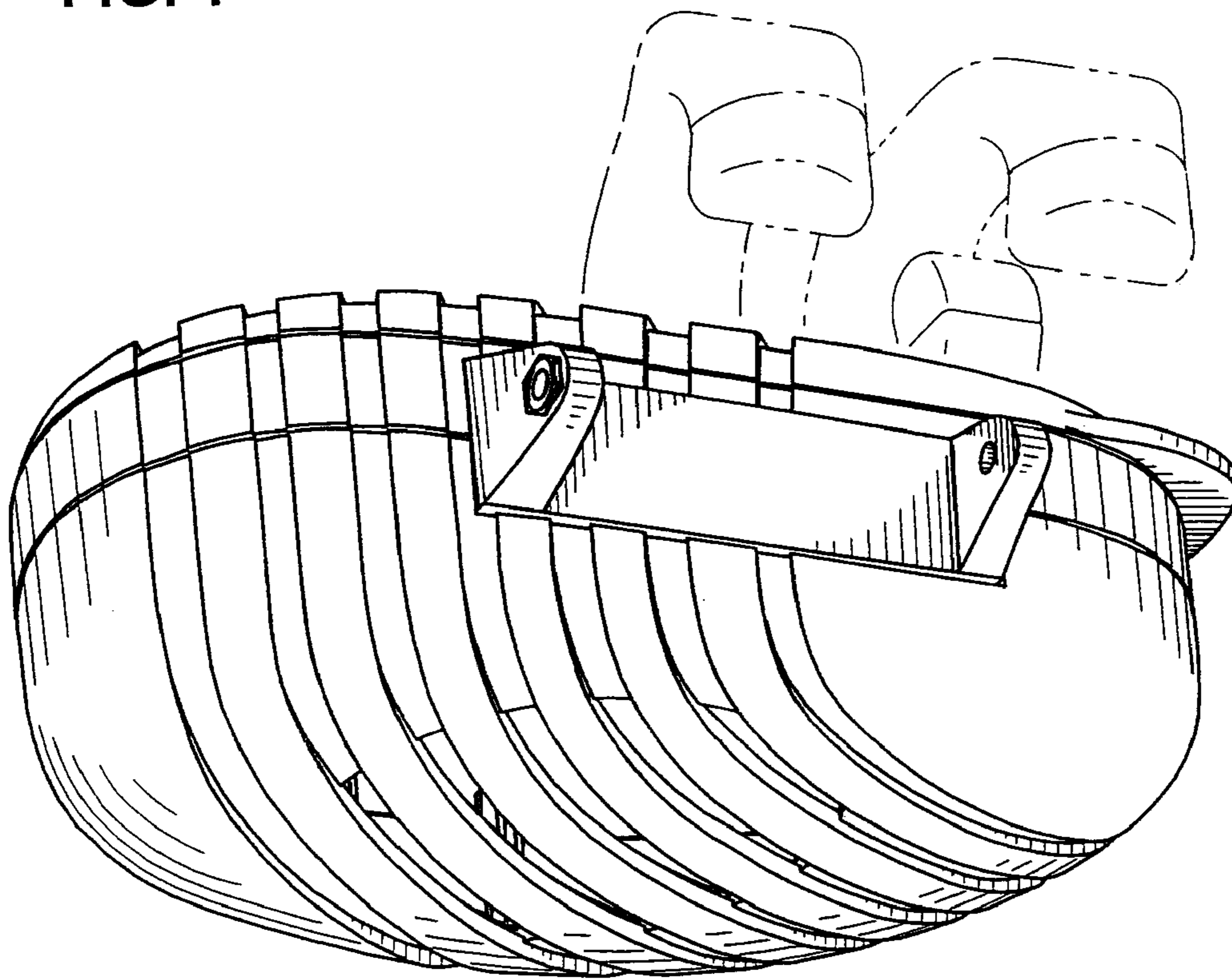


FIG. 2

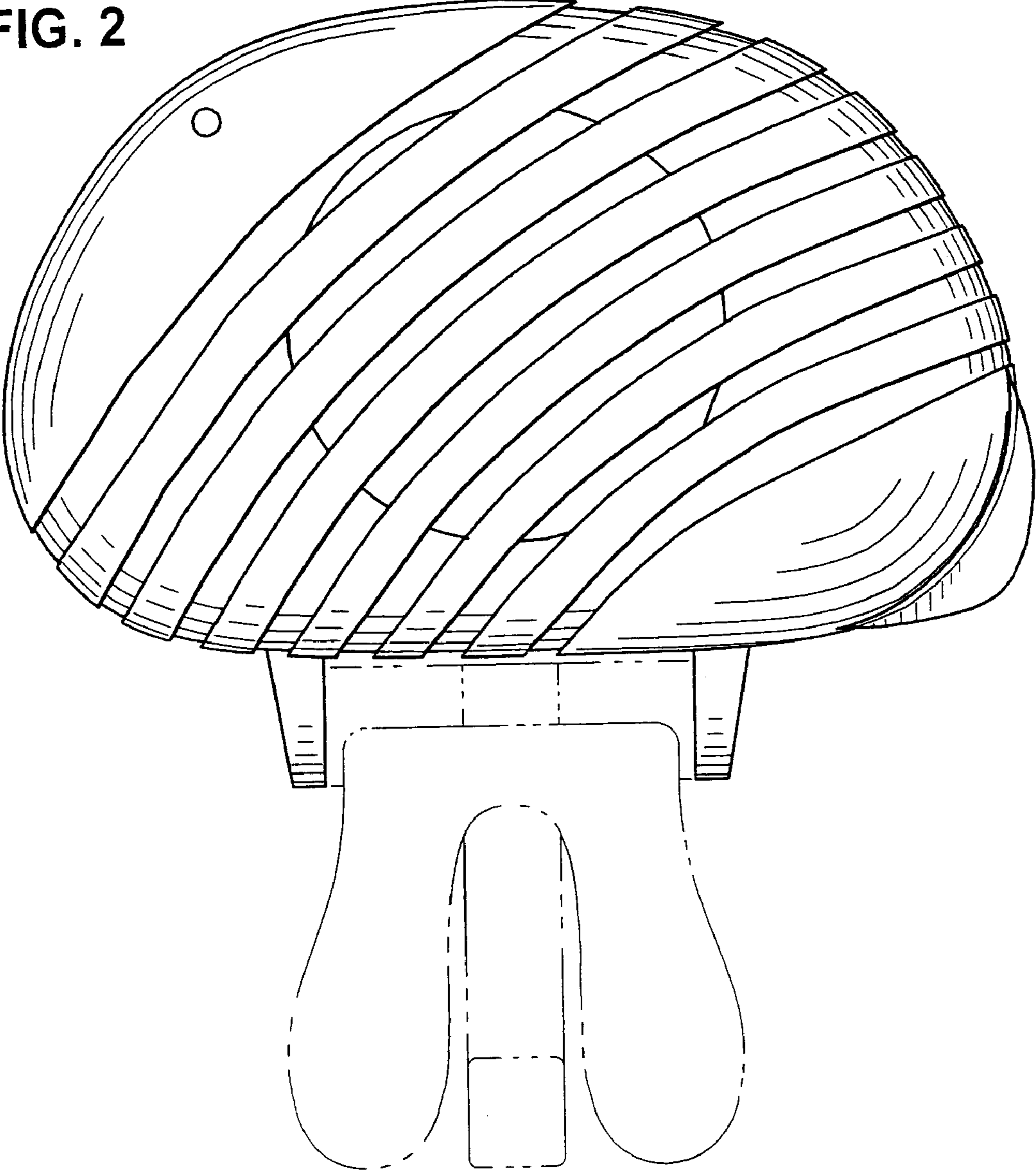


FIG. 3

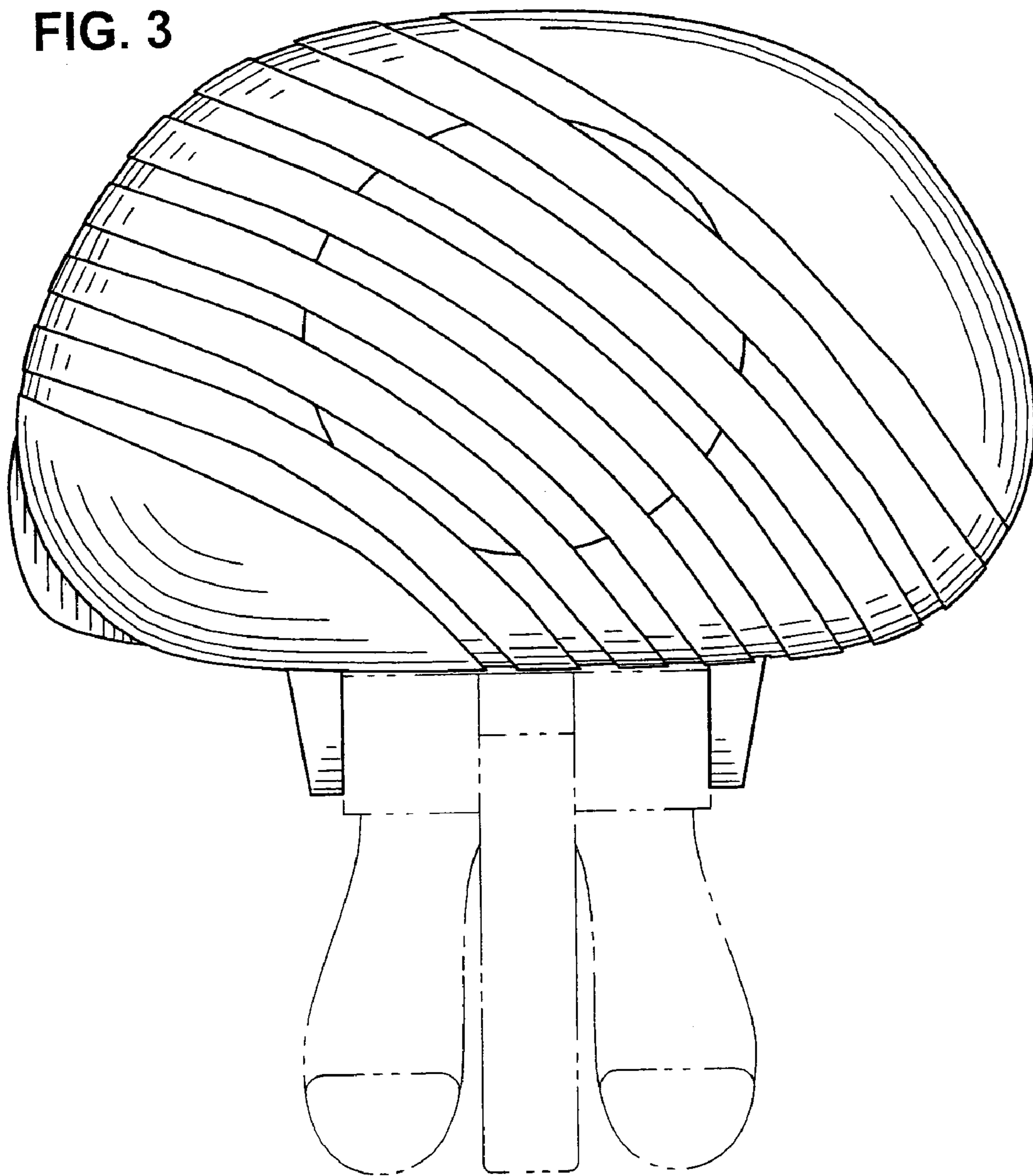


FIG. 4

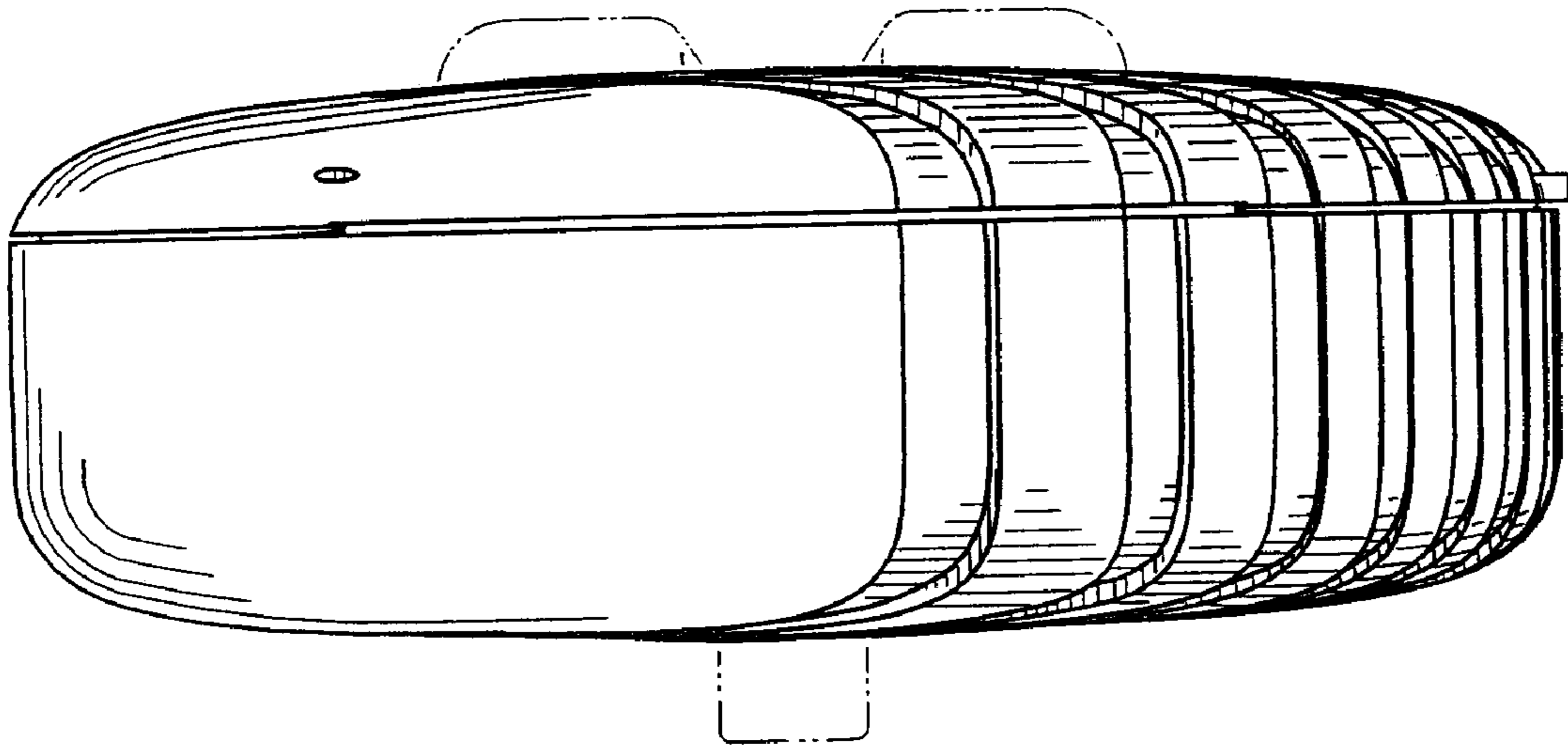


FIG. 5

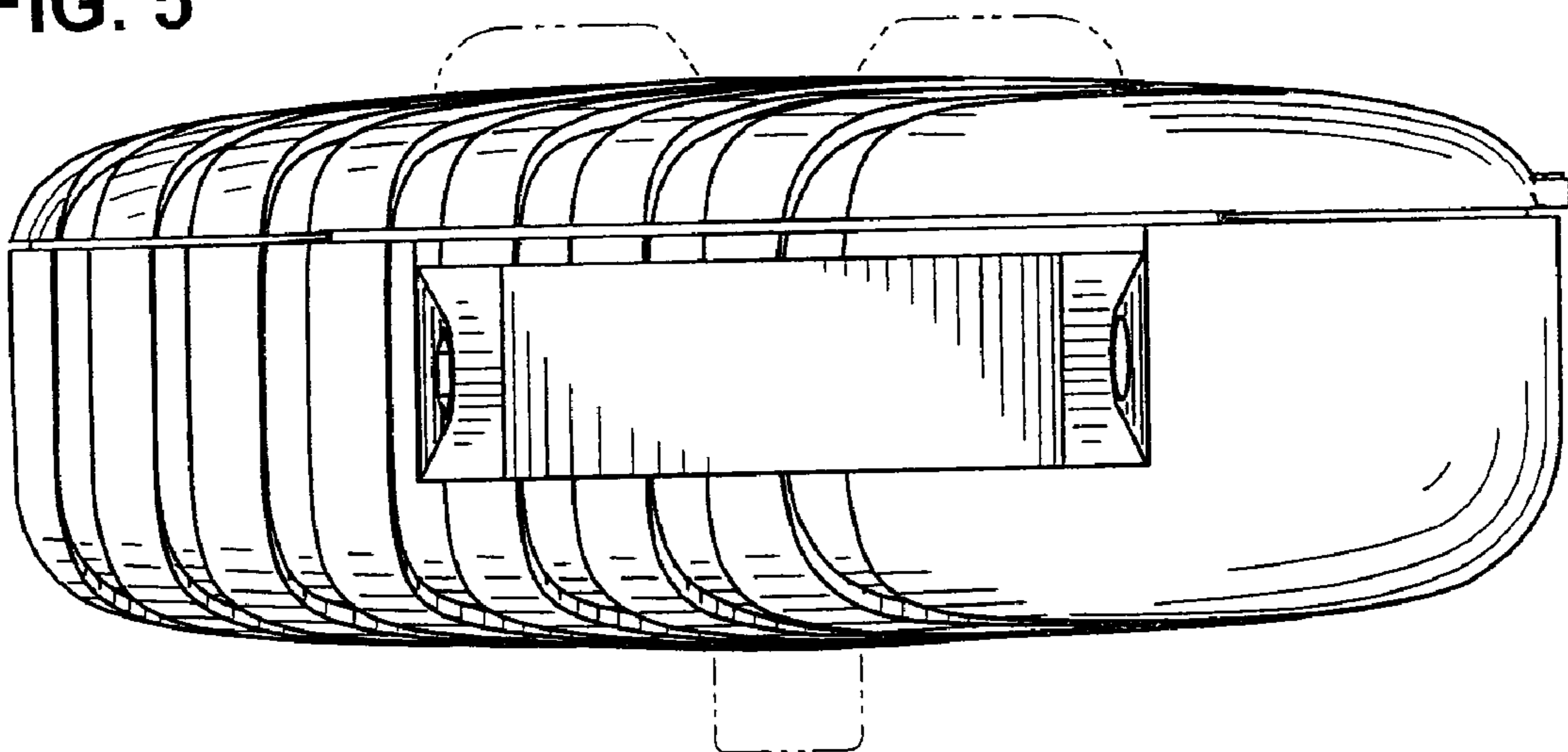


FIG. 6

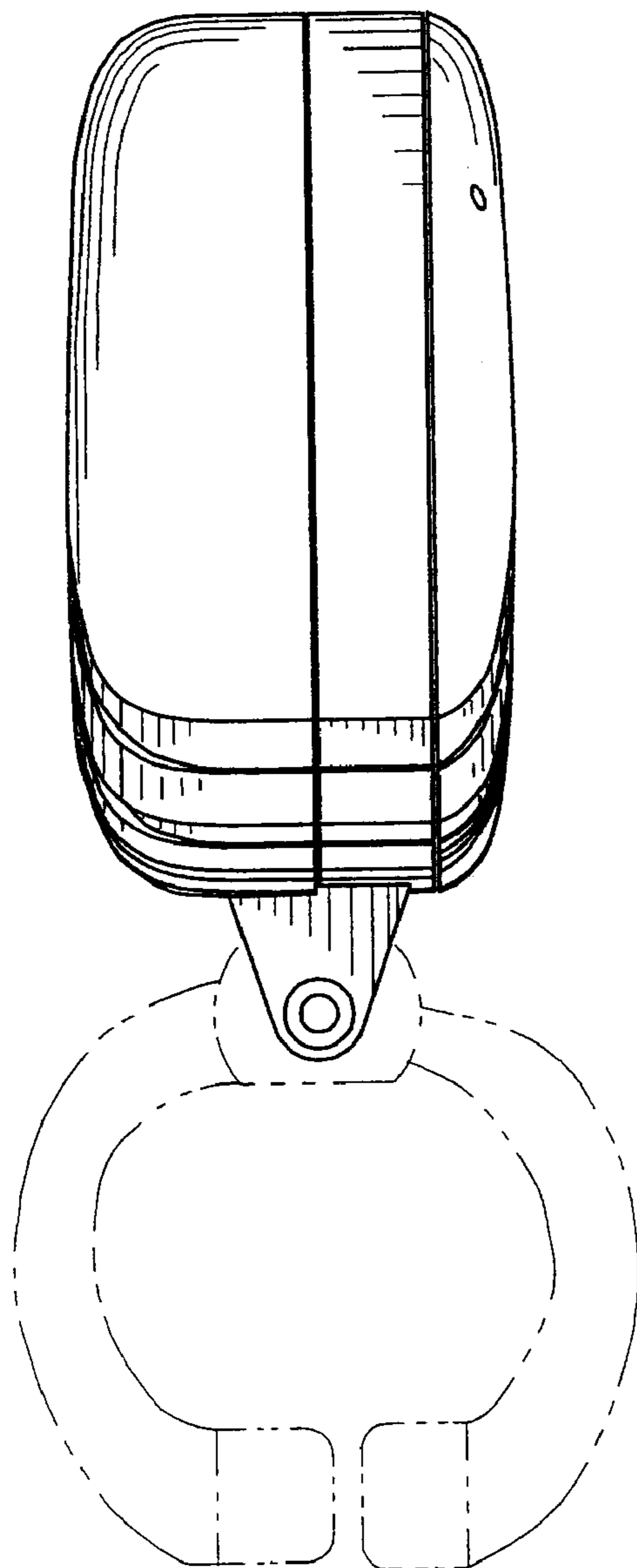


FIG. 7

