



US00D530802S

(12) **United States Design Patent**  
**Piatt**

(10) **Patent No.:** **US D530,802 S**  
(45) **Date of Patent:** **\*\* Oct. 24, 2006**

- (54) **LAVATORY**
- (75) Inventor: **James M. Piatt**, Sheboygan Falls, WI (US)
- (73) Assignee: **Kohler Co.**, Kohler, WI (US)
- (\*\*) Term: **14 Years**

- 4,689,841 A 9/1987 Owen
- D298,452 S 11/1988 Carter
- D332,829 S 1/1993 Belfor
- D356,148 S 3/1995 Kohler, Jr. et al.
- 5,560,052 A 10/1996 Ferguson et al.
- 5,628,484 A 5/1997 Lechuga
- D423,653 S 4/2000 Svendsen
- D463,538 S 9/2002 Chipperfield

- (21) Appl. No.: **29/244,975**
- (22) Filed: **Dec. 16, 2005**

**Related U.S. Application Data**

- (60) Division of application No. 29/189,672, filed on Sep. 9, 2003, now Pat. No. Des. 516,190, which is a division of application No. 29/158,619, filed on Apr. 4, 2002, now Pat. No. Des. 479,586, which is a continuation-in-part of application No. 29/153,935, filed on Oct. 26, 2001, now Pat. No. Des. 486,208.
- (51) **LOC (8) Cl.** ..... **23-02**
- (52) **U.S. Cl.** ..... **D23/308**
- (58) **Field of Classification Search** ..... D23/270-274, D23/283-284, 286-287, 291-292, 293.1, D23/304, 308; 4/553, 619, 557-558, 596-604, 4/612-614, 622, 629-630, 638, 660, 650-652, 4/632

See application file for complete search history.

(56) **References Cited**

**U.S. PATENT DOCUMENTS**

- D35,008 S 8/1901 Clow
- 998,742 A 7/1911 Berkley
- 2,389,724 A 11/1945 Falco
- 2,532,769 A 12/1950 Houpt
- 2,902,700 A 9/1959 Chambers
- 2,914,777 A 12/1959 Parson
- 3,038,172 A 6/1962 Fritz et al.
- 3,376,583 A 4/1968 Frey
- D218,606 S 9/1970 Lein
- D244,030 S 4/1977 Tongish
- 4,086,669 A 5/1978 Combis

**OTHER PUBLICATIONS**

Kohler Co. 2000 Design Manual, "Shower Enclosures—Memoirs Receptors," p. 11.23.\*  
 Kohler Co. Jul. 2001 catalog, "Whirlpools—sok Overflowing Bath," p. 8.3b.\*

\* cited by examiner

*Primary Examiner*—Robert A. Delehanty  
 (74) *Attorney, Agent, or Firm*—Quarles & Brady LLP

(57) **CLAIM**

The ornamental design for a lavatory, as shown and described.

**DESCRIPTION**

In a preferred embodiment, the nature of this product is a lavatory used for washing human body parts.  
 FIG. 1 is a left, top, front perspective view of a lavatory embodying my new design;  
 FIG. 2 is a top plan view thereof;  
 FIG. 3 is a left side elevational view thereof, the right side elevational view thereof being a mirror image of the left side shown; and,  
 FIG. 4 is a front elevational view thereof.  
 The broken line representations of a mounting deck in FIGS. 1-3 are for the purpose of illustration only, and form no part of the claimed design.  
 The broken line representations of a platform in FIGS. 1, 3 and 4 are intended to represent variable height section members of the platform which may vary in height from one times to ten times the depth of the lavatory basin.

**1 Claim, 2 Drawing Sheets**

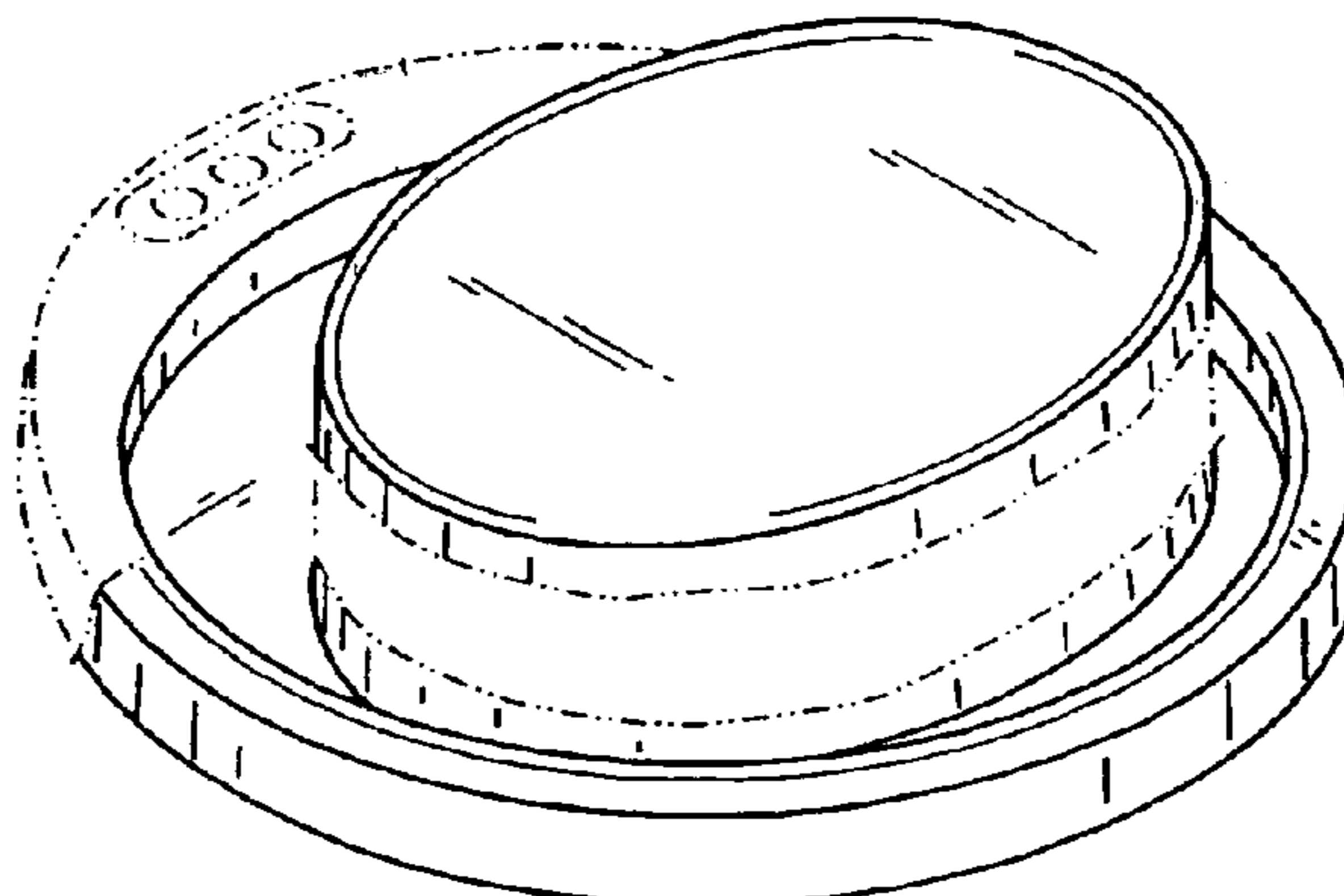


FIG. 1

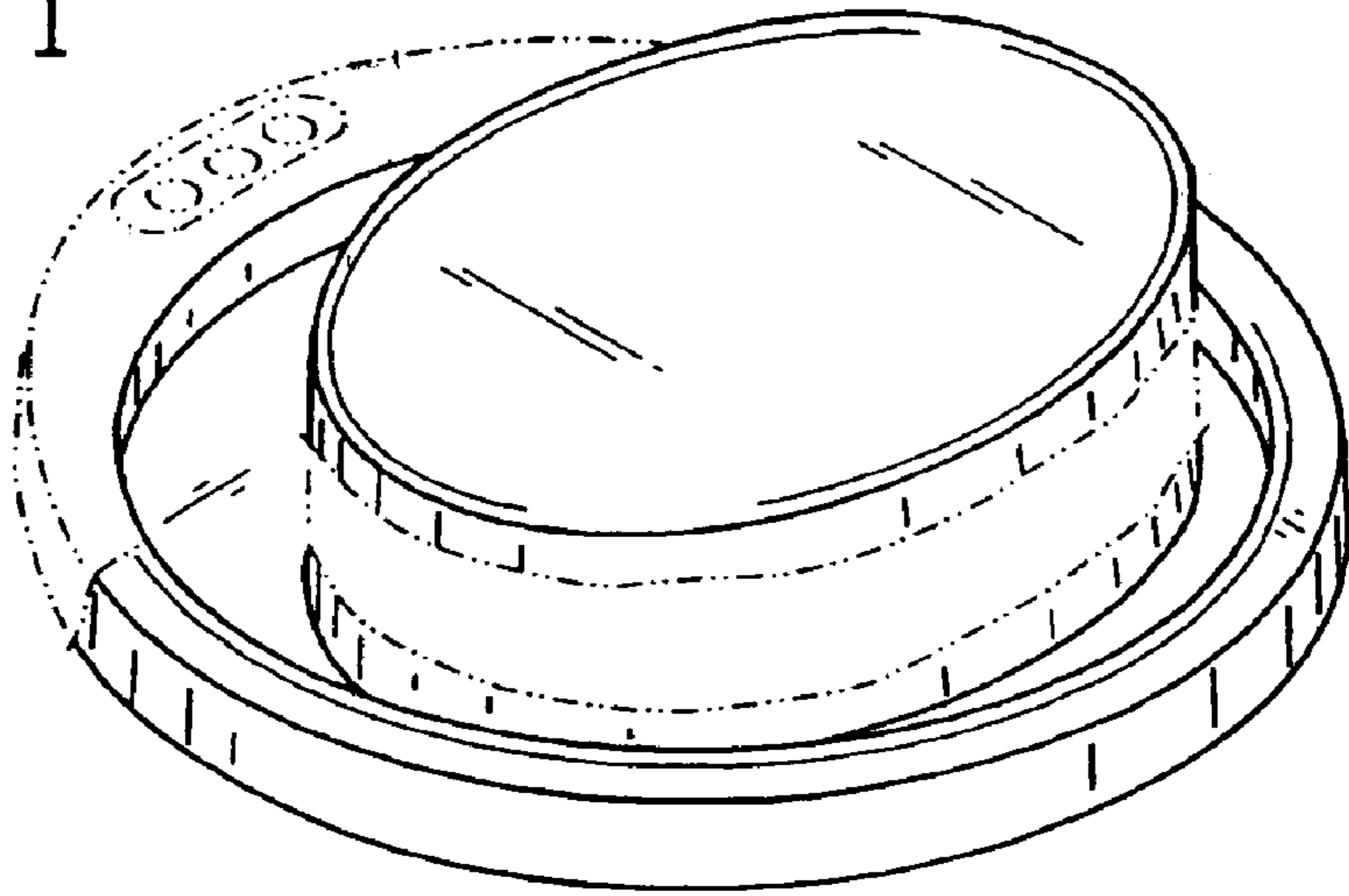


FIG. 2

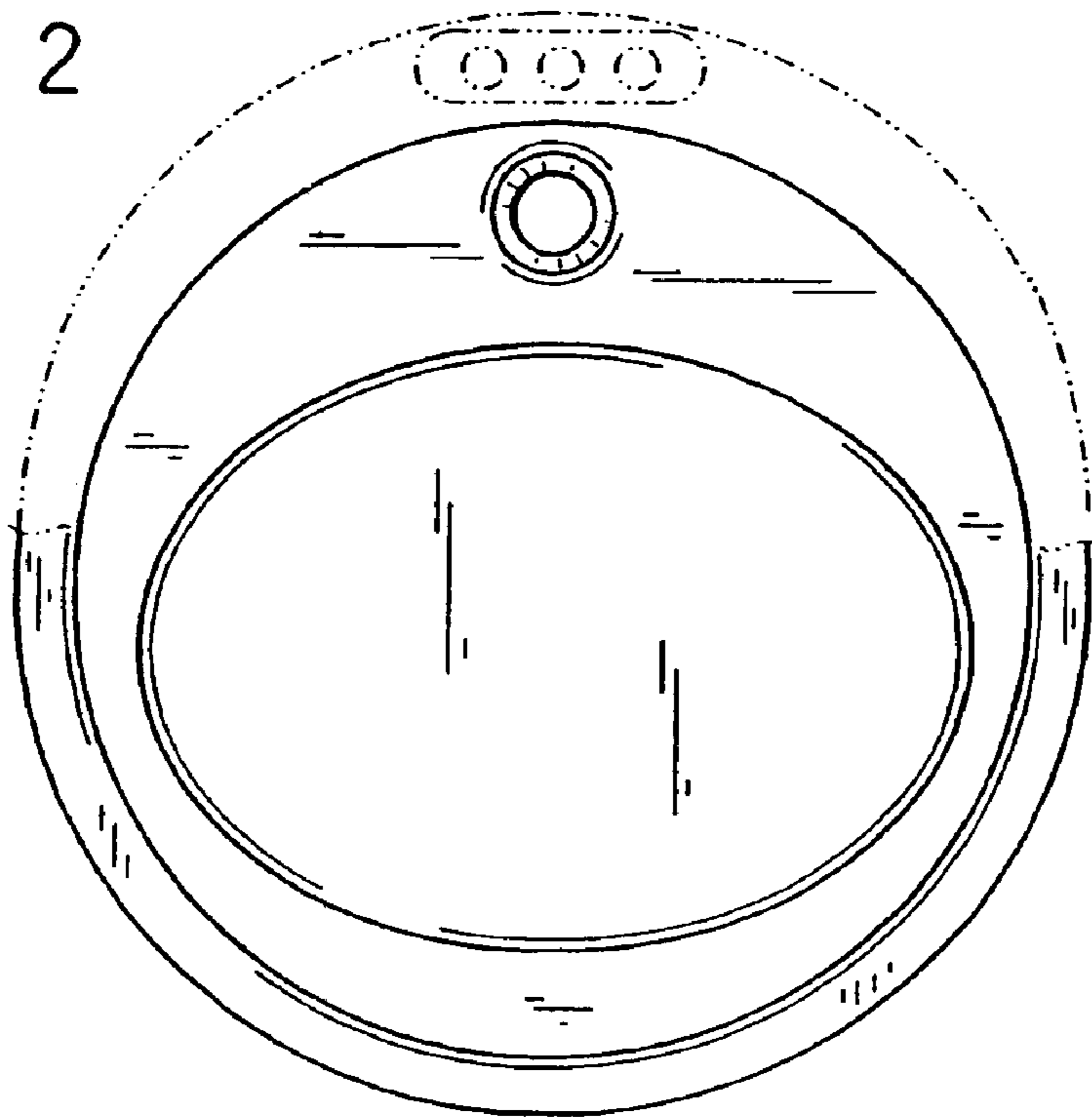


FIG. 3

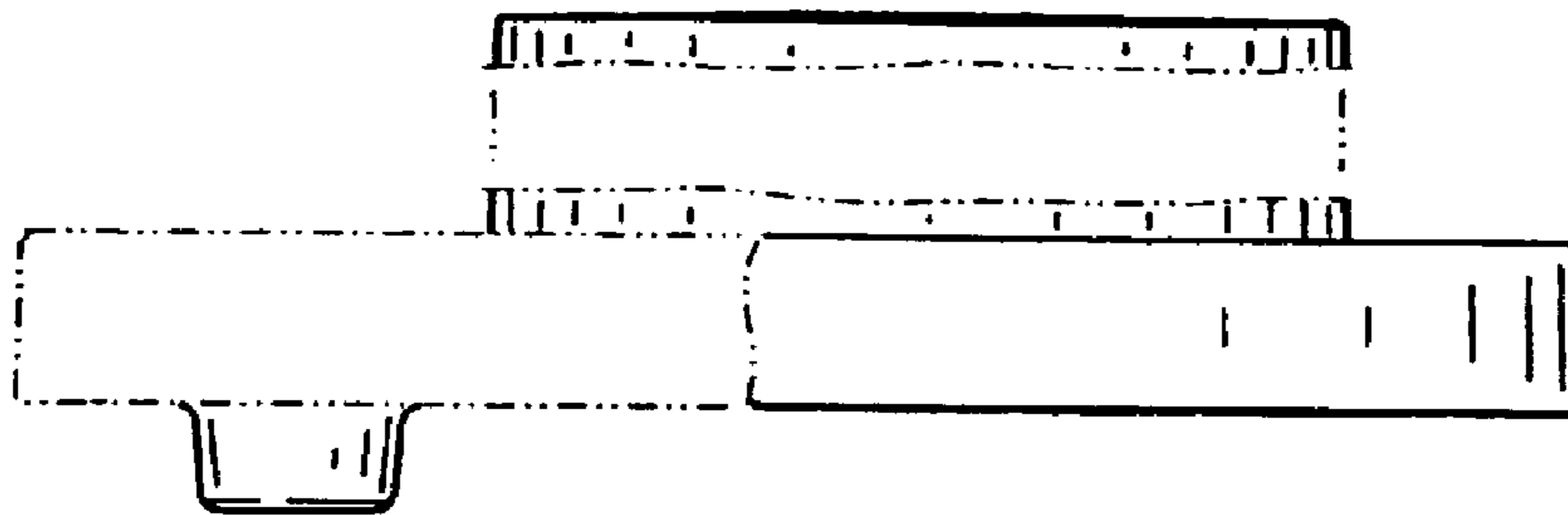


FIG. 4

