



US00D530801S

(12) **United States Design Patent**
Kakihana

(10) **Patent No.:** **US D530,801 S**

(45) **Date of Patent:** **** Oct. 24, 2006**

(54) **SINK BOWL**

D443,682 S * 6/2001 Niven D23/293.1

(75) Inventor: **Hajime Kakihana**, Kitakyushu (JP)

* cited by examiner

(73) Assignee: **Toto Ltd.**, Kitakyushu (JP)

Primary Examiner—Robert A. Delehanty

(**) Term: **14 Years**

(74) *Attorney, Agent, or Firm*—Birch, Stewart, Kolasch and Birch, LLP

(21) Appl. No.: **29/251,179**

(57) **CLAIM**

(22) Filed: **Jan. 5, 2006**

The ornamental design for a sink bowl, as shown and described.

(51) **LOC (8) Cl.** **23-02**

DESCRIPTION

(52) **U.S. Cl.** **D23/293.1**

(58) **Field of Classification Search** D23/272–274,
D23/284–285, 288–289, 291, 293.1, 303,
D23/308; 4/515–516, 519, 619, 650, 661
See application file for complete search history.

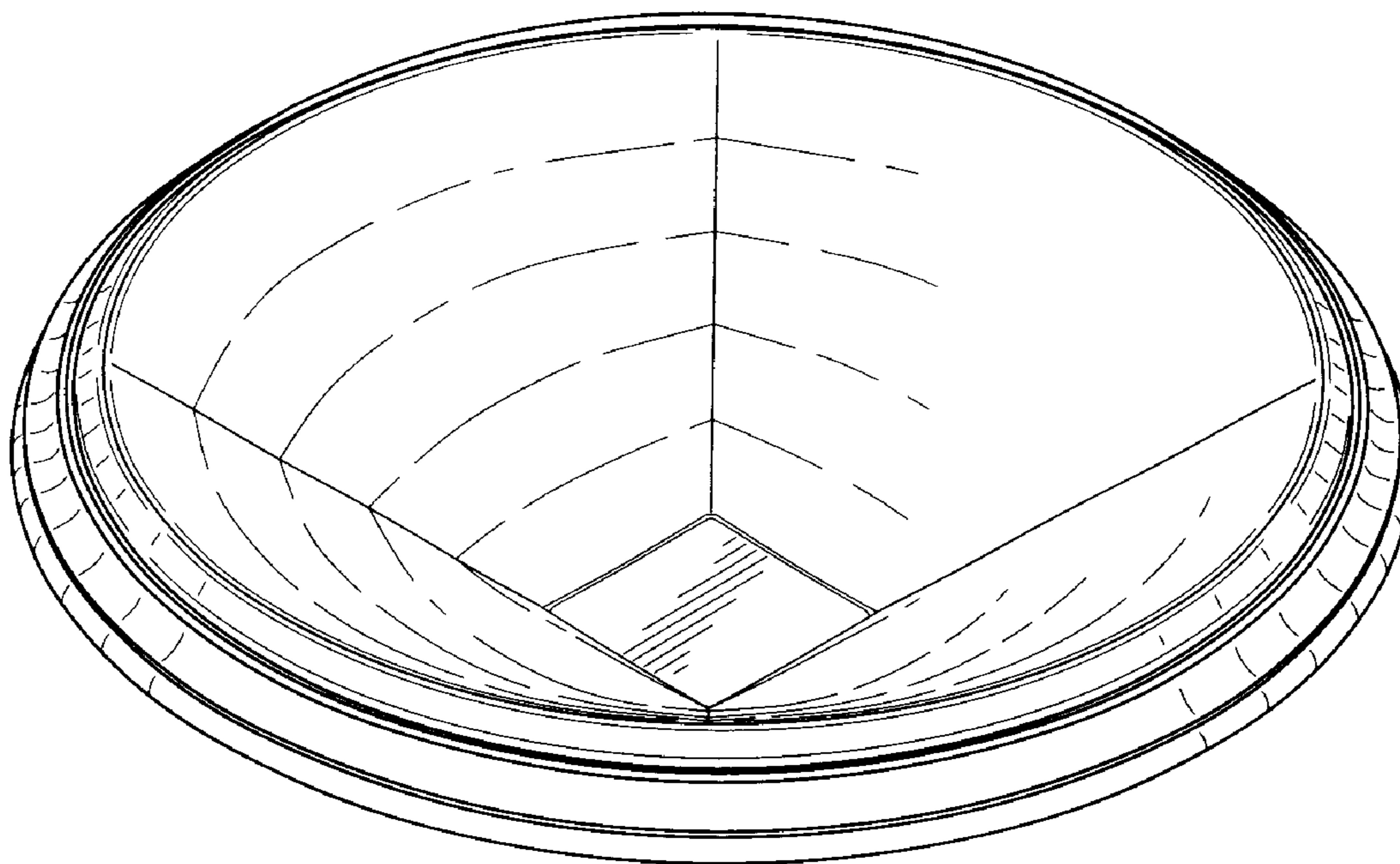
FIG. 1 is a perspective view of the top, front and right side of a sink bowl showing my new design;
FIG. 2 is a top plan view thereof;
FIG. 3 is a front view thereof;
FIG. 4 is a left side view thereof;
FIG. 5 is a right side view thereof;
FIG. 6 is a rear view thereof; and,
FIG. 7 is a bottom view thereof.

(56) **References Cited**

U.S. PATENT DOCUMENTS

D399,934 S * 10/1998 Westcott et al. D23/284
D414,548 S * 9/1999 Westcott et al. D23/284

1 Claim, 4 Drawing Sheets



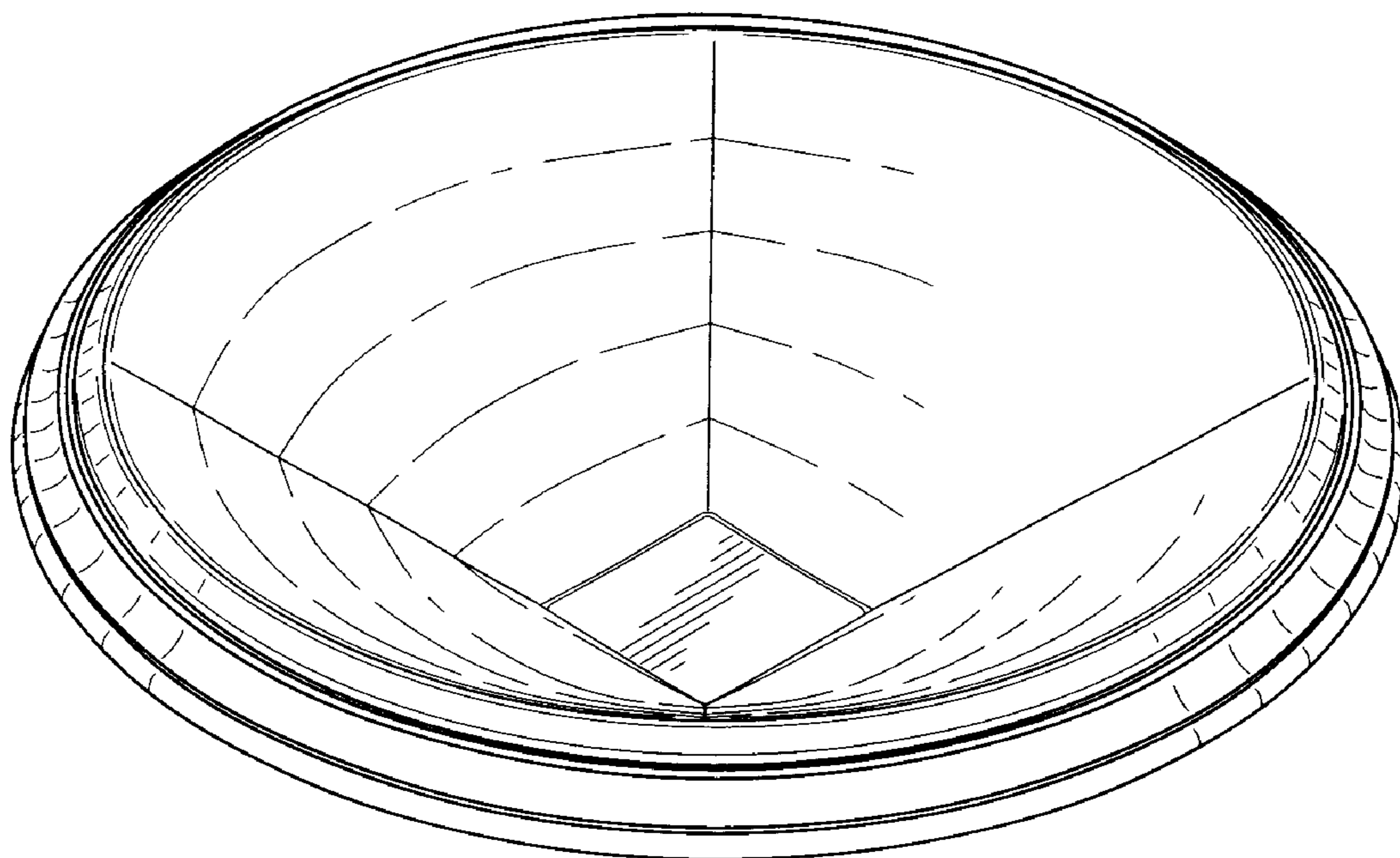


FIG. 1

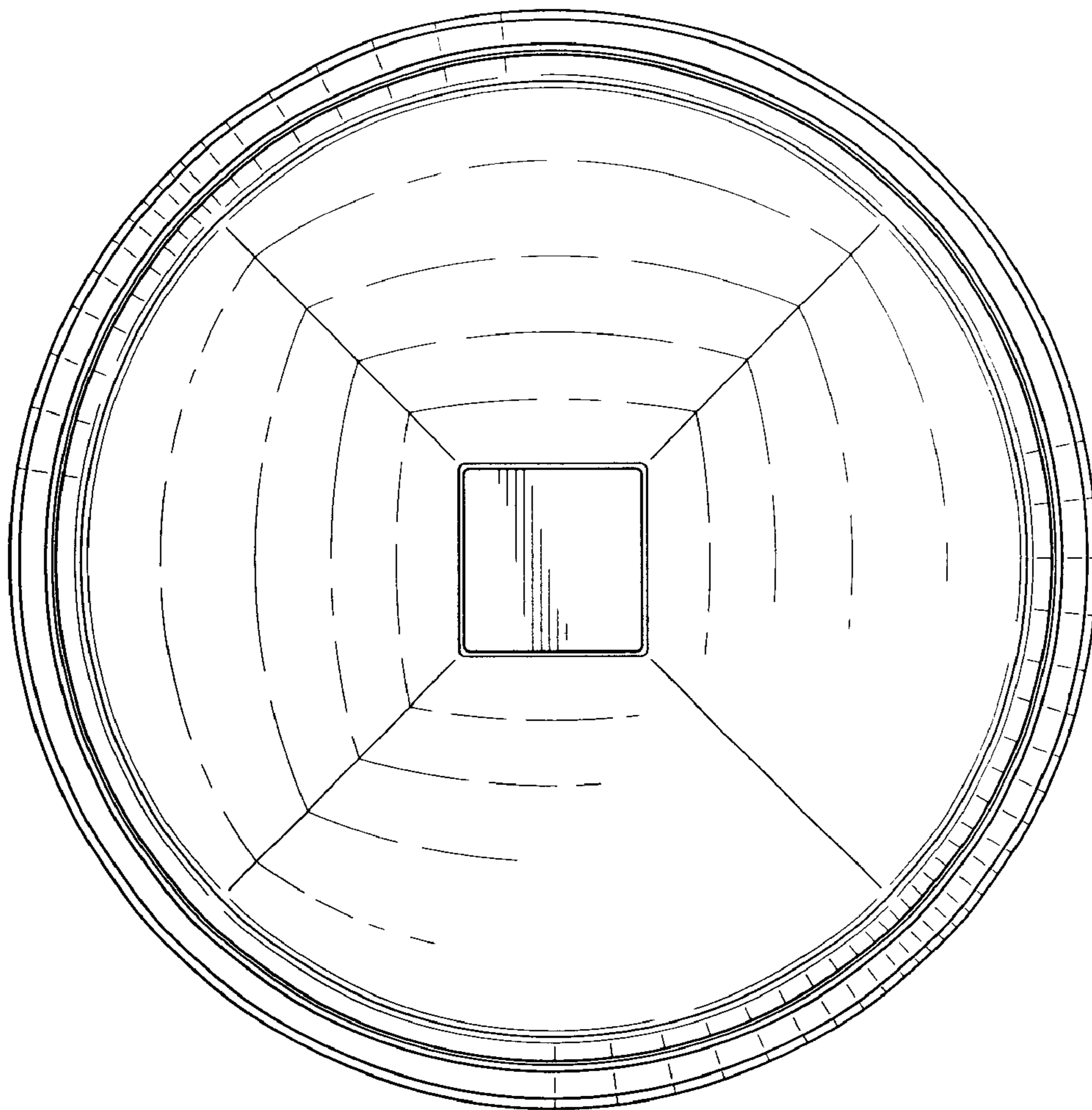


FIG. 2

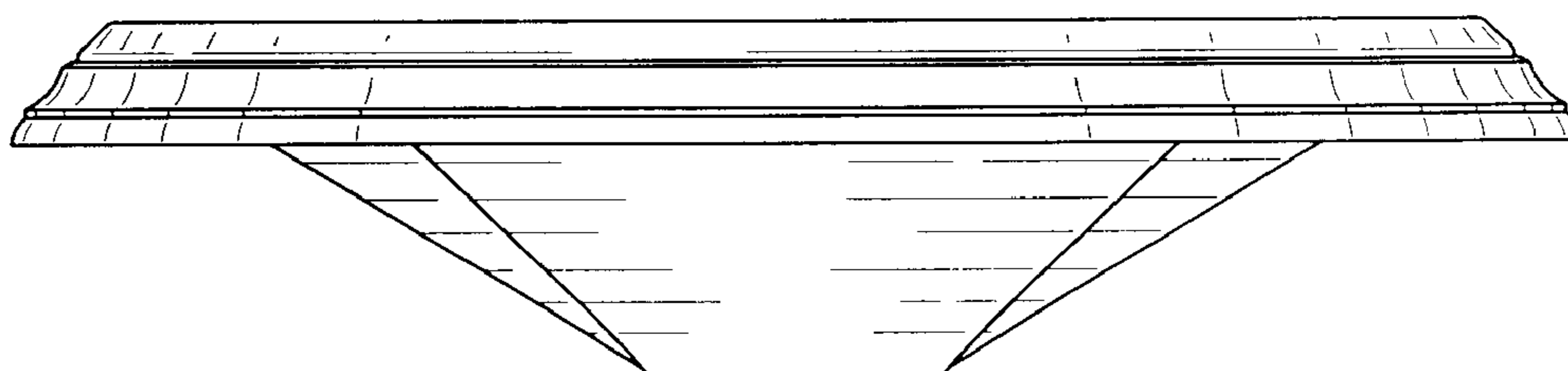


FIG. 3

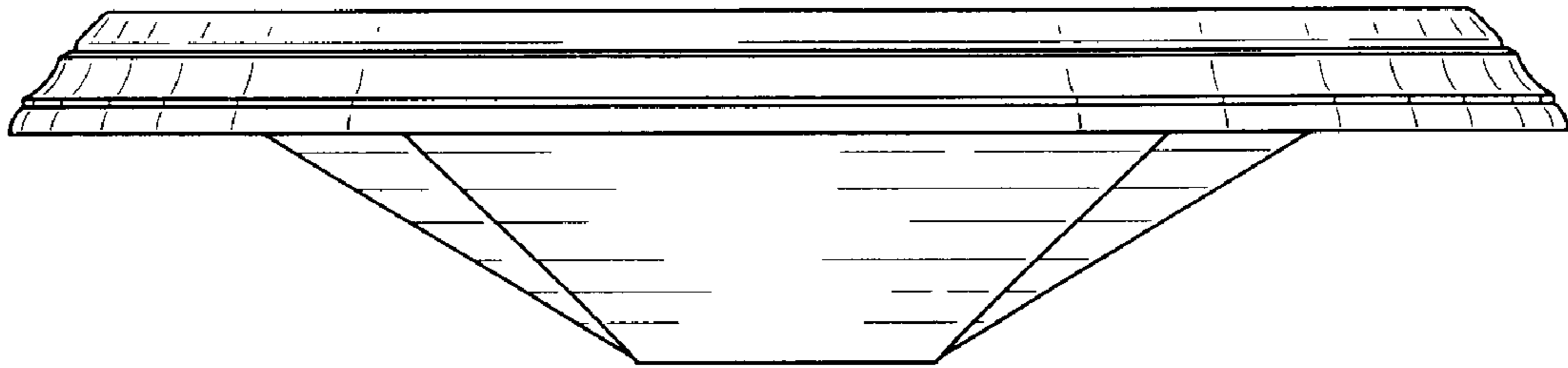


FIG. 4

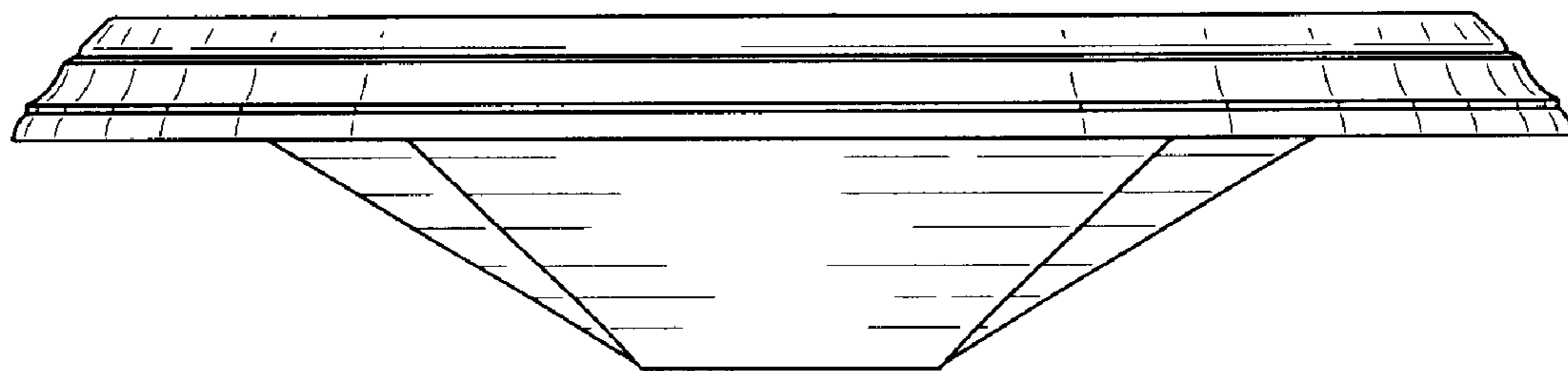


FIG. 5

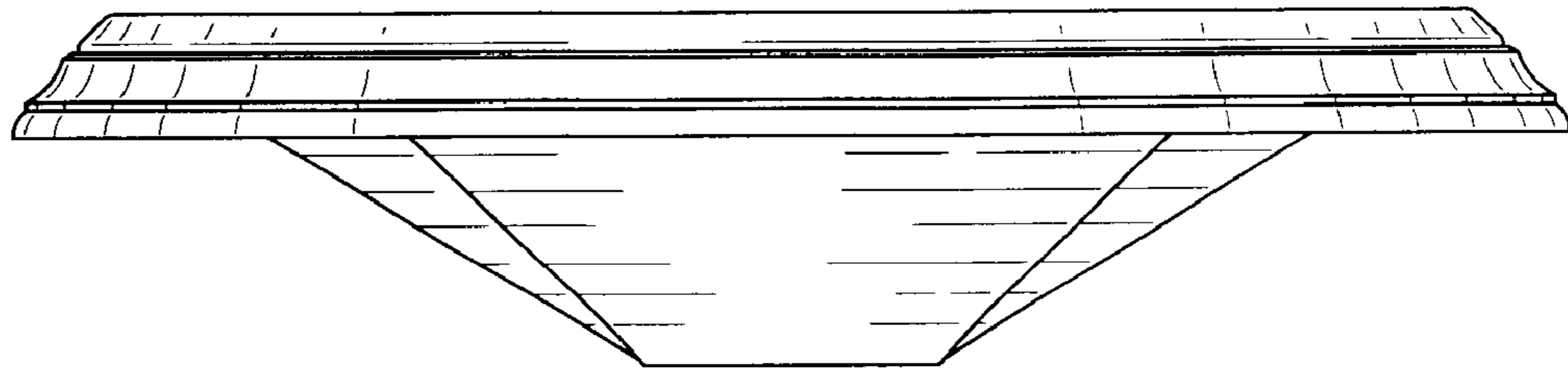


FIG. 6

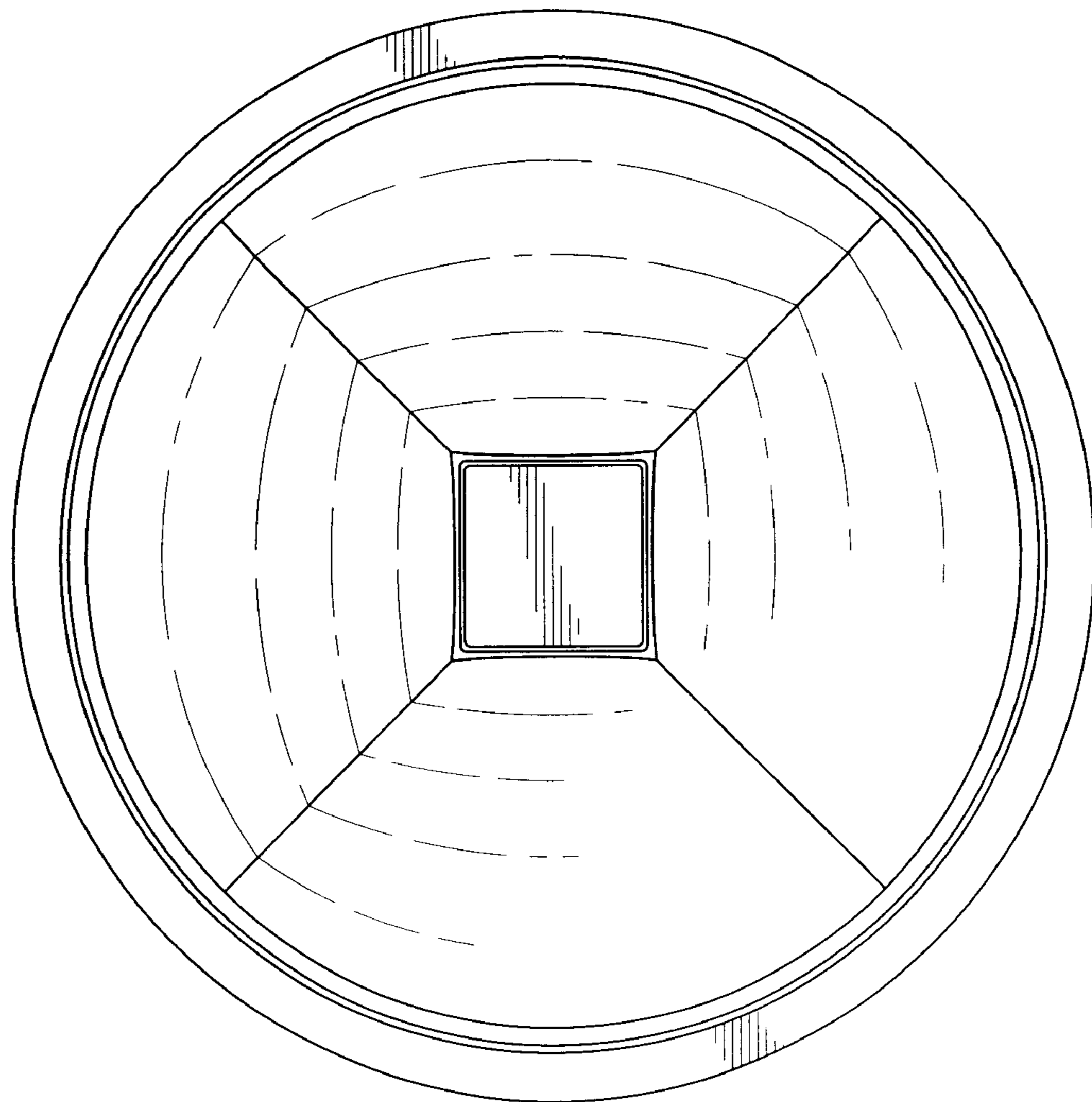


FIG. 7